

# Home Care Technical Specification

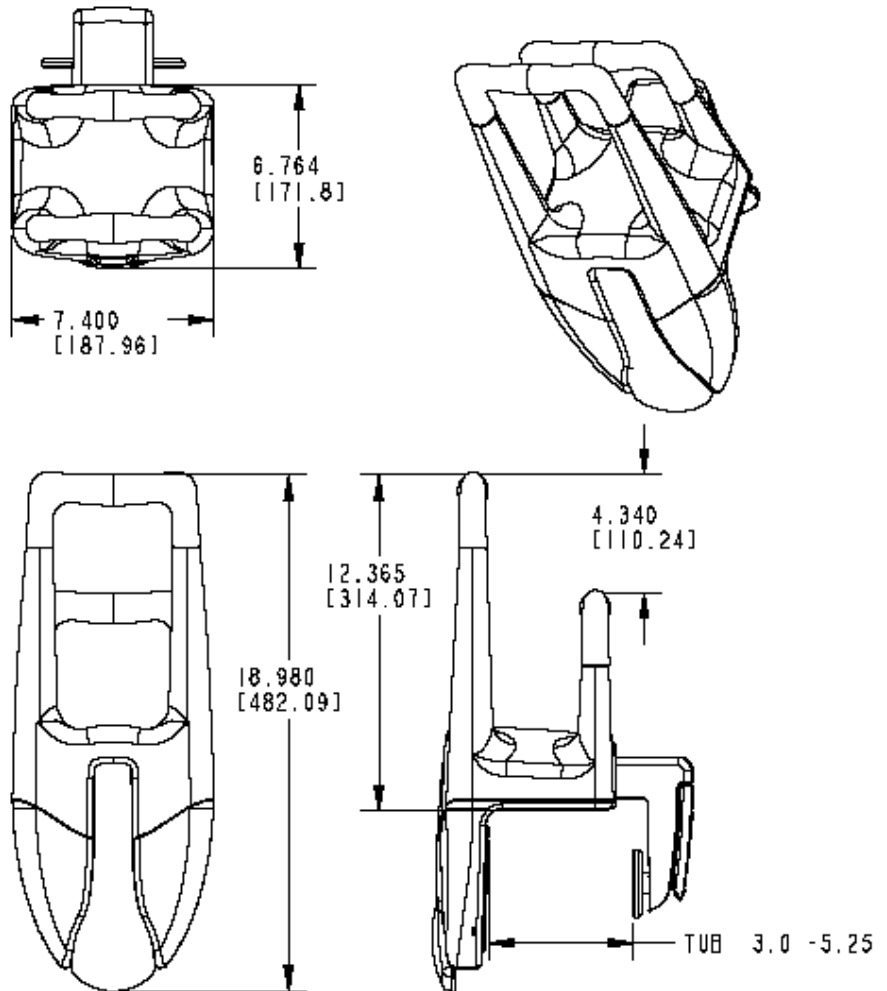
## Dual Tub Grip

# DN7075

### Stock Numbers:

- q **DN7075 – Dual Tub Grip**  
White housing with pebble colored rubber pads. Adjustable on most tubs from 3" to 5.25".

### Dimensions:



### Materials:

ASSEMBLY TESTED  
TO CONFIRM ADA  
COMPLIANCE



Dual Tub Grip housings are made from polypropylene. Internal components are stainless steel and coated aluminum. Grip pads are rubber.

### Installation Instructions:

No assembly required.  
Installation diagram included in package.

Stock Number: \_\_\_\_\_ Dual Tub Grip  
By Creative Specialties



25300 AL MOEN DRIVE • NORTH OLMSTED, OH 44070  
CORPORATE HEADQUARTERS: (800) 321-8809 • FAX: (800) 848-6636  
INTERNATIONAL: (440) 962-2000 • FAX: (440) 962-2726  
CUSTOMER SERVICE (USA): 800-882-0116 • FAX: (888) 379-2720  
©Copyright Creative Specialties International 2003