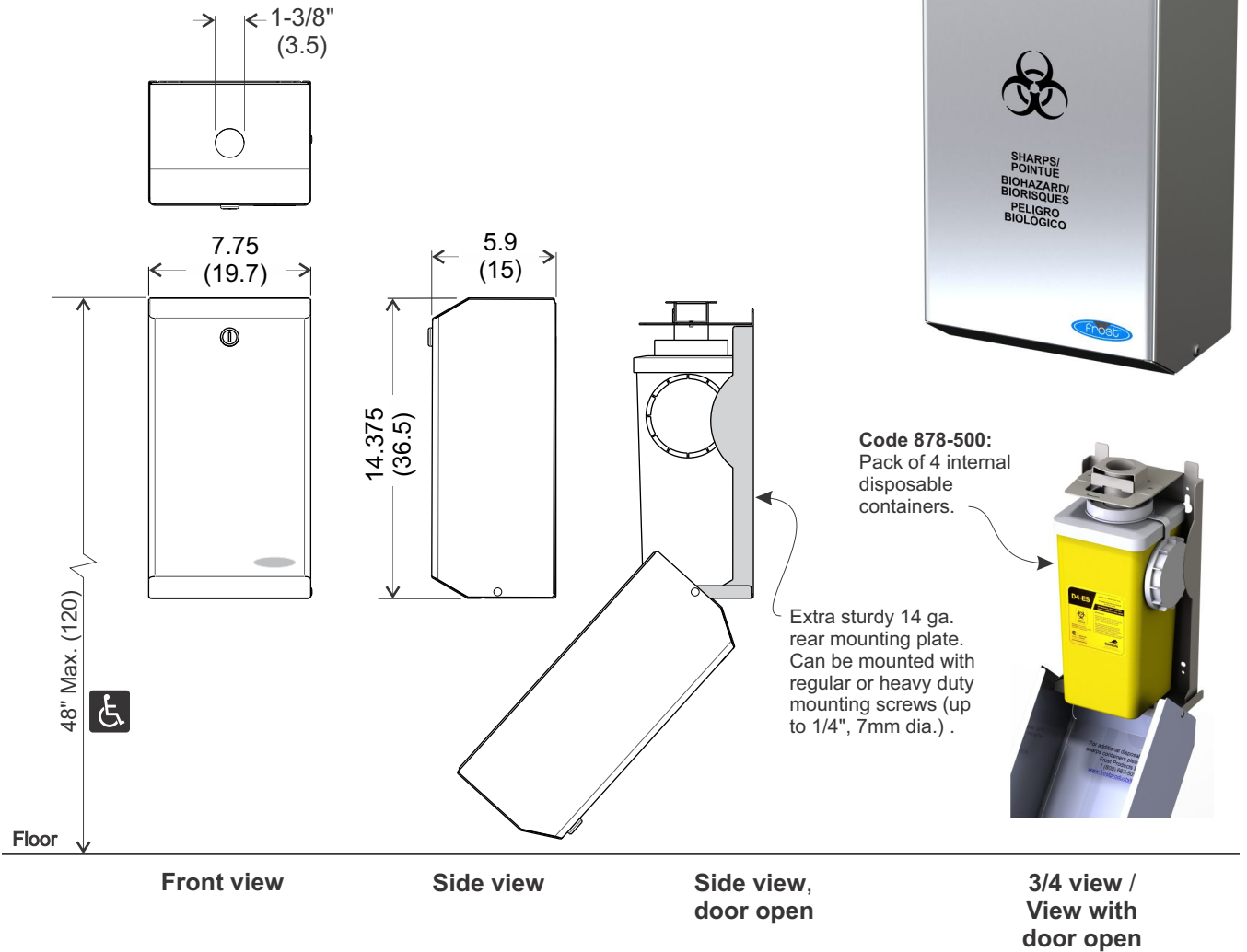




## Biohazard Disposal Unit

- Code 878:** Stainless steel, biohazard disposal unit.
- Code 878-500:** Internal disposable containers, pack of 4.

Overall dimensions in inches (centimeters in brackets)



## Specifications

- Site location:** • Heavy duty clean design is vandal resistant and ideal for any installation.
- Materials:** • Coverall door is type 304 18 ga. stainless steel all welded construction. Rear mounting plate is extra heavy duty 14 ga. powder coated steel.
- Features:** • Easy loading with front pivot hinged door (Stainless steel rivets)  
• Premium tumbler keyed lock (reversible key).  
• Radius and bevelled corners provide a sleek user friendly look. Screened on graphics.  
• Container is well recessed with a tube inlet to prevent unauthorized access. Container provided.
- Capacity:** • Accepts standard 4 litre sharps container, 14 x 14 x 30cm high. (5-1/2" x 5-1/2" x 12" high).
- Installation:** Mount unit such that top of unit does not exceed 48" from ground level.

