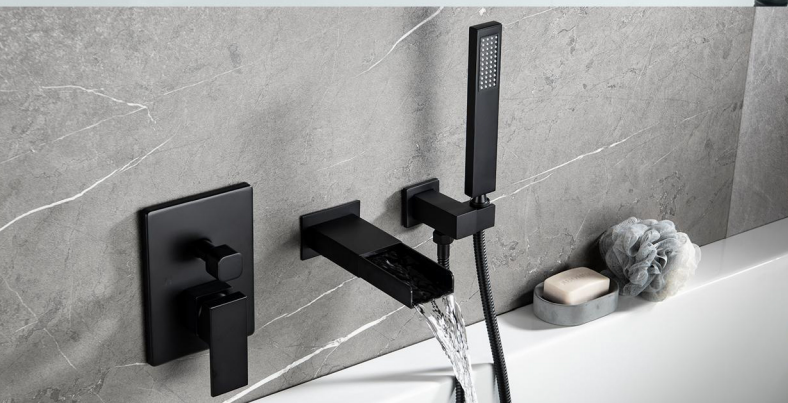


**DC**  
Designer  
Collection

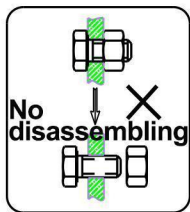
# User's Manual





# INSTALLATION STEPS

This product has been inspected and debugged by the factory to the best condition. Please do not disassemble and assemble it yourself.



Before installing the product, please be sure to remove sundries and sludge from the water pipe to prevent sundries from blocking the product.



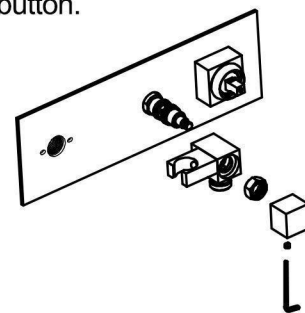
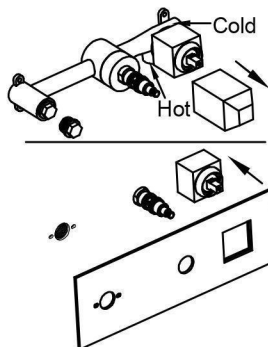
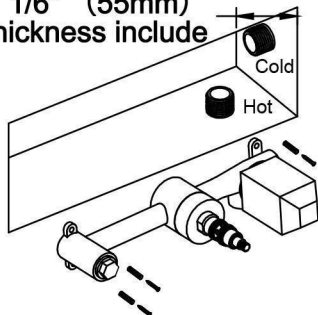
1. Open holes size of opening is 10.43"~10.71"x3.62"~3.78"x2.17" (LxWxD) and embedded water pipes (hot and cold inlet pipes, outlet pipes) as required. Install the main body in the embedded hole and connect the pipe.

2. Fill the embedded hole after no water leakage, and press the panel to the wall after removing the protective cover.

3. Press the sprinkler body on the embedded body, tighten the lock nut with the adjustable spanner to fix the shower body, (pay attention to keep it horizontal). Use the hexagon key to install the switch handle and install the color button.

Embedded depth:  
2 1/6" (55mm)

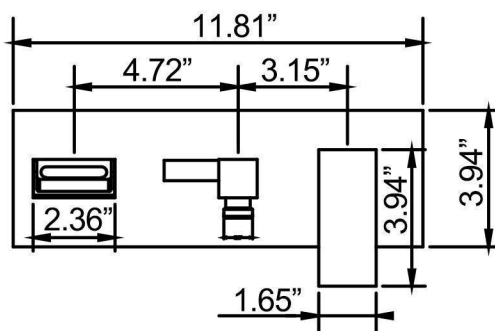
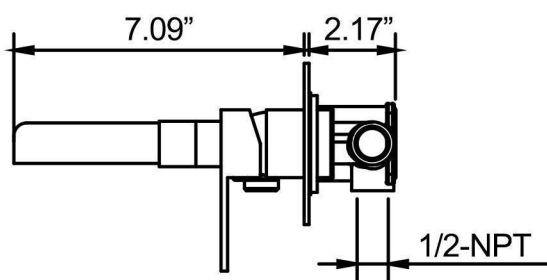
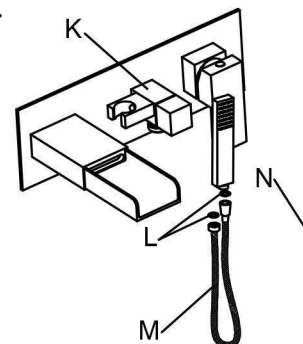
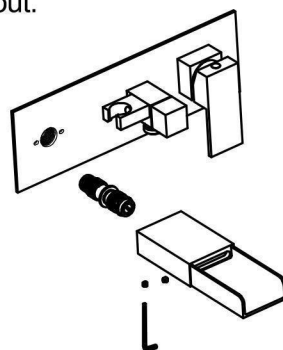
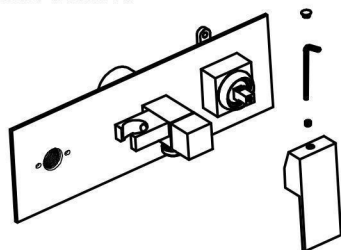
Tile thickness include



4. Use the hexagon key to install the switch handle and install the color button.

5. Install the the tub spout into the outlet on the wall, Then connect the top shower to the spout.

6. Add rubber washers (L) at both ends of the shower hose (M). Connect shower hose (M) to the wall supply holder (K) and hand shower (N). Then, place the hand shower (N) to the wall supply holder (K).



## CLEANING CARE

In order to keep the appearance of product clean, bright and good performance, please take care of the product as follows;

1. Rinse with water only and dry with soft cotton cloth;
2. Use mild liquid and colorless glass cleaner to remove surface dirt and scale film, or use polish without abrasive effect;
3. Do not use abrasive detergent, polish, emery cloth, paper towel or scraper, etc;
4. Do not use acid cleaner, or cleaner and soap with insoluble gran etc;
5. In the process of use, mud may accumulate in the bubbler and make the water flow show, The bubbler can be unscrewed, rinsed with water, and then installed back in place.





**DC**  
—◆—  
**Designer**  
**Collection**