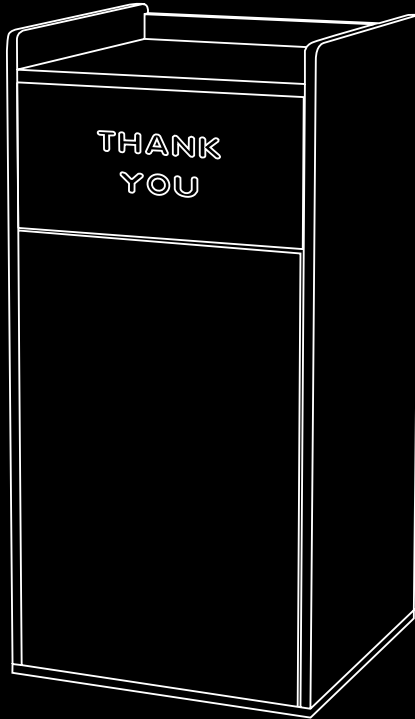




WOODEN WASTE RECEPTACLE



ALP476-SERIES

USER GUIDE



THANK YOU FOR YOUR PURCHASE.

Known in the industry for excellent products, Alpine Industries is a manufacturer of innovative, solution-based products for the commercial and institutional markets worldwide.

Combining commitment to the customer, design innovation and skilled, dedicated workforces, they have produced a range of products that are an essential part of every commercial facility.

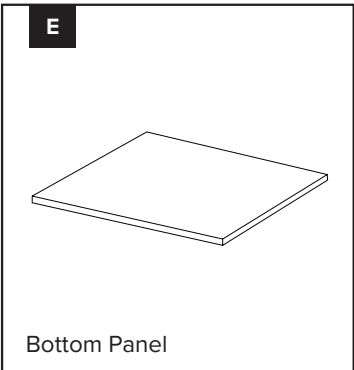
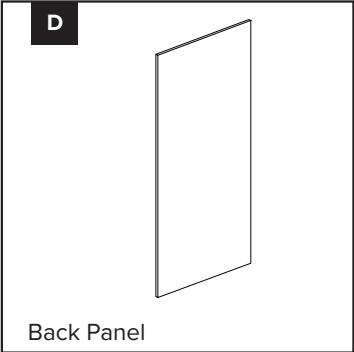
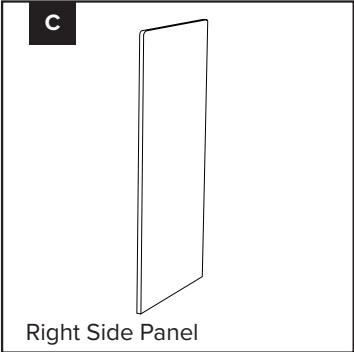
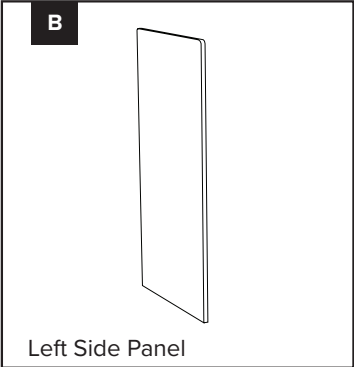
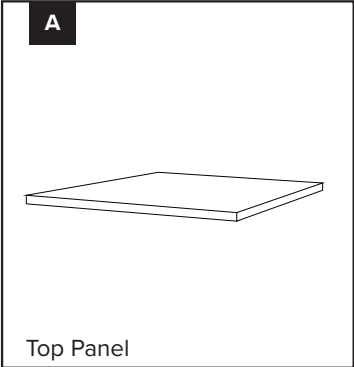
Every product is designed to the highest standards, enabling you to get your requirements done in a reliable and cost-effective way.

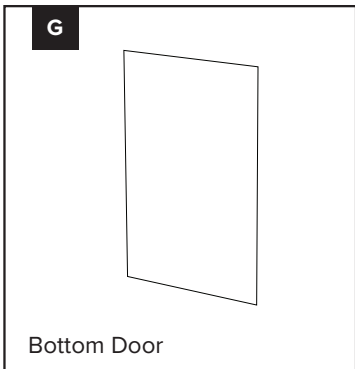


Table of Contents

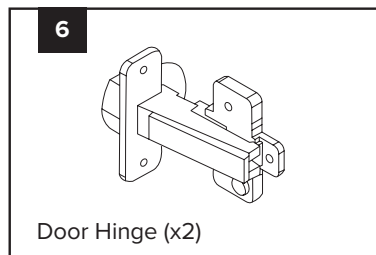
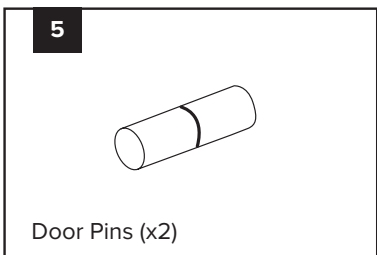
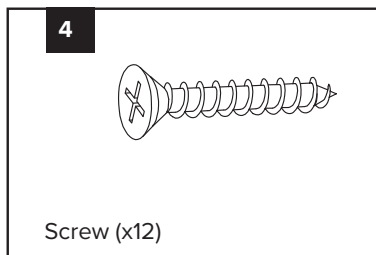
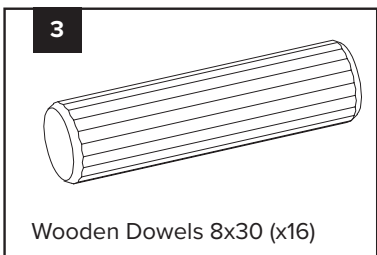
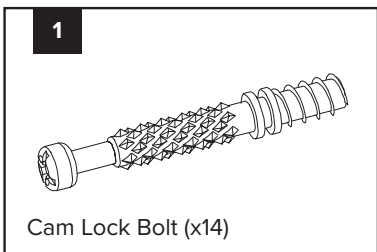
- 1** Parts
- 2** Hardware
- 4** Installation
- 12** Warranty

Parts

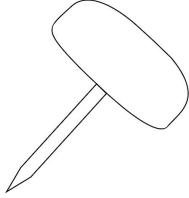




Hardware

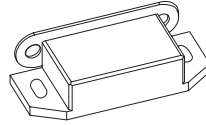


7



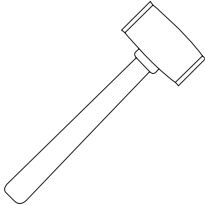
Plastic Feet 5mm (x4)

8



Door Stopper

Tools Needed (But Not Included):



Rubber Mallet



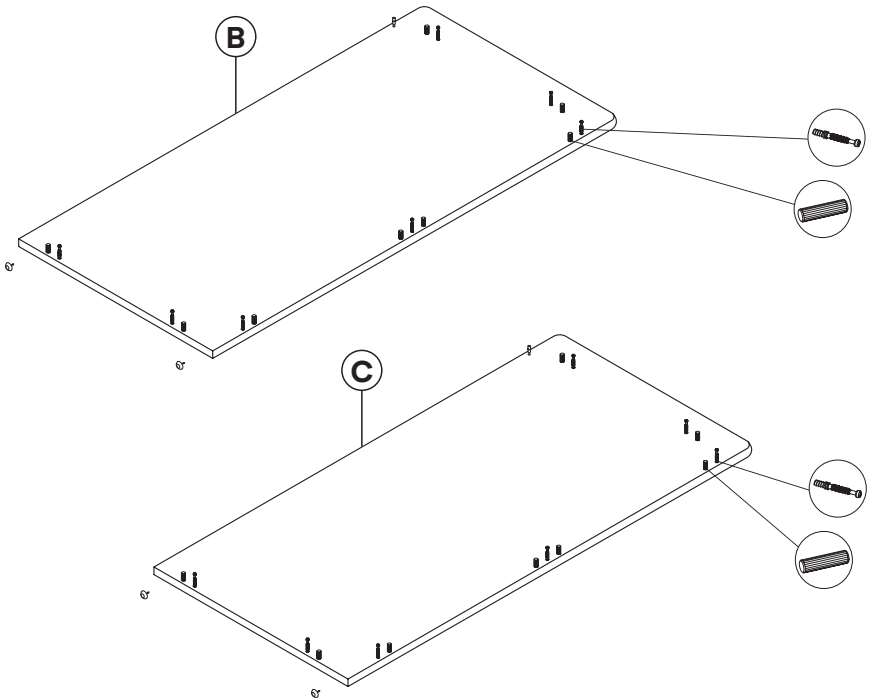
Philips head Screwdriver

Note: Assembly may require two people. Before assembling the receptacle, ensure you have all the parts and hardware listed above, the proper tools, and a clean flat surface to work on.

Installation

Step 1:

- A. Locate the Left Side Panel (B) and the Right Side Panel (C), and insert 8 Wooden Dowels (3) and 7 Cam Lock Bolts (1) into each of their pre-drilled holes, as pictured.
- B. Gently tap the Wooden Dowels (3) with a rubber mallet until secure. For the Cam Lock Bolts (1), screw them in until secure with a Phillips head screwdriver.

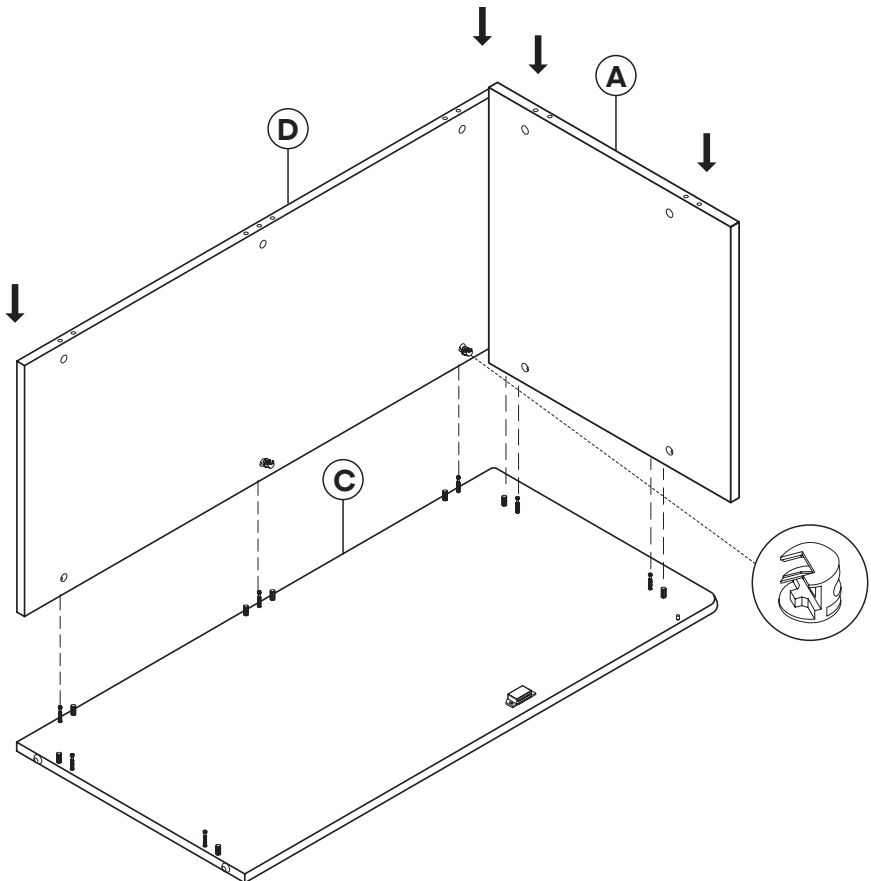


Step 2:

A. Take the Right Side Panel (C) and attach both the Top Panel (A) and the Back Panel (D) where you installed the Cam Lock Bolts (1) and Wooden Dowels (3).

- a. Make sure the Top Panel (A) has its Cam Lock (2) holes facing down when installing it and making sure the Bottom Panel (B) has its Cam Lock (2) holes facing upward.

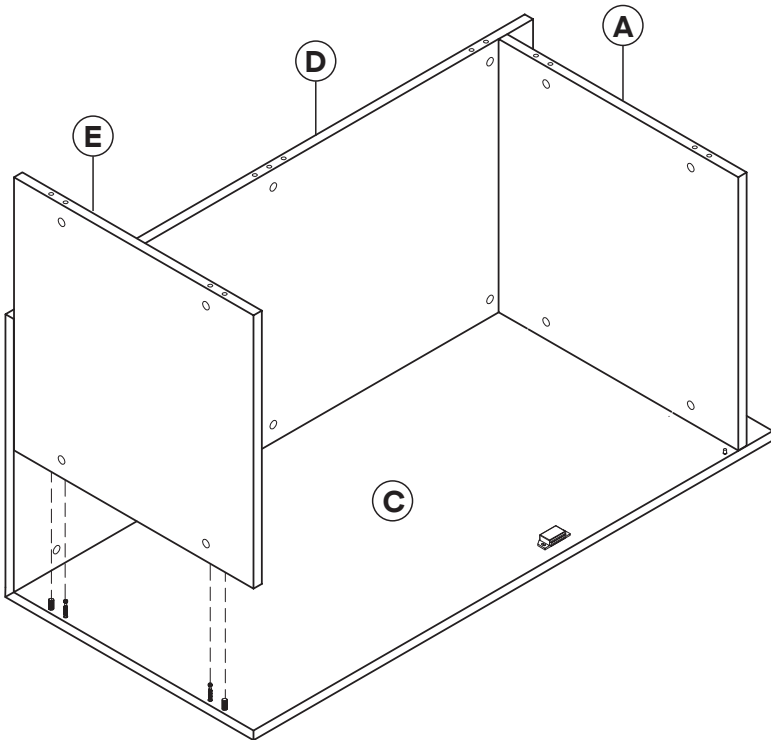
B. Gently tap both panels in with a rubber mallet until they're flush with the Right Side Panel (C).



Step 3:

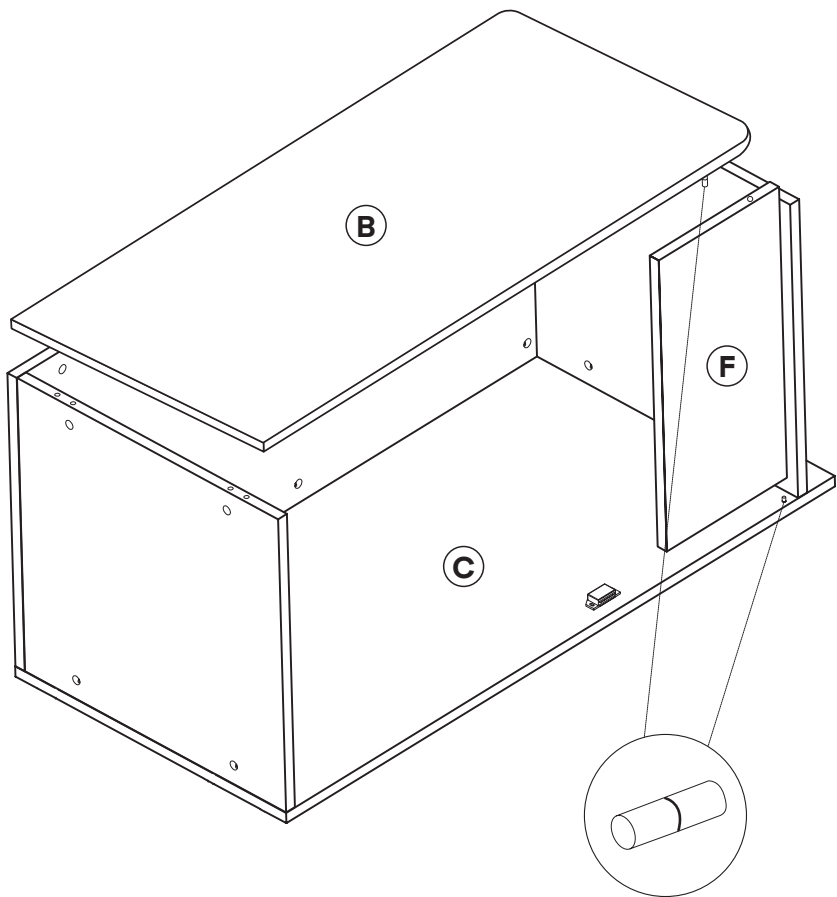
A. Locate the Bottom Panel (E) and insert it into the Right Side Panel (C) where you installed the dowels and bolts.

B. Gently tap the panel with a rubber mallet until it is flush.



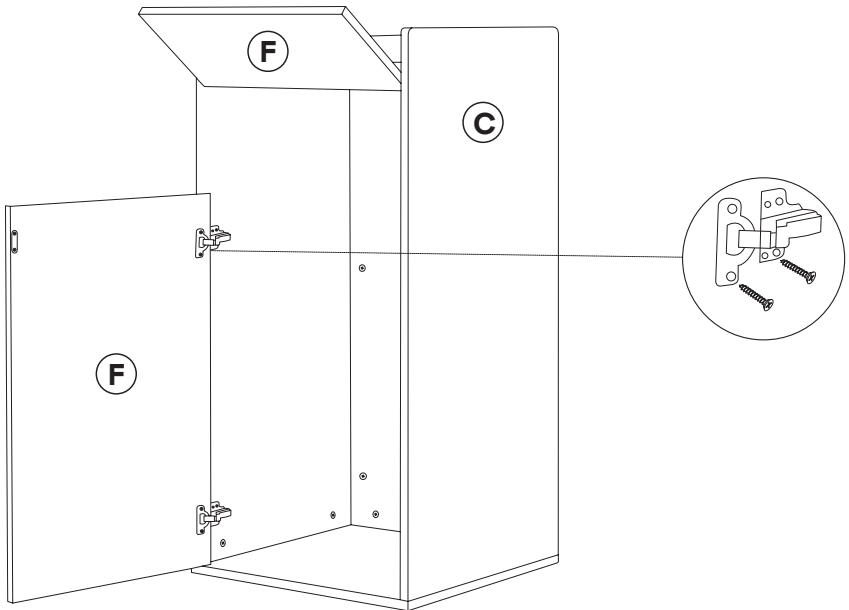
Step 4:

- A. Take the Left Side Panel (B) and insert it into the pre-drilled holes on the right side of the assembled structure you made in Step 2.
- B. Gently tap it in until flush with a rubber mallet.
- C. Insert one of the Door Pins (5) into the top corner of the Right Side Panel (C).
- D. Take the Top Door (F), have the “Thank You” facing out, and locate the pre-drilled hole on the right side.
- E. Connect the right side of the panel to the Door Pin (5) and gently tap until flush and secure.
 - a. You may need someone to hold the Top Door while connecting the next panel.
- F. Locate the Left Side Panel (B) and add the second Door Pin (5) to the top corner.
- G. While holding the Top Door (F), guide it, so it lines up with the Door Pin (5) installed in the Left Side Panel (B).
- H. Gently tap the panel with a rubber mallet until it is flush with the receptacle.
- I. Make sure every panel is secure and in place before moving on to the next step.



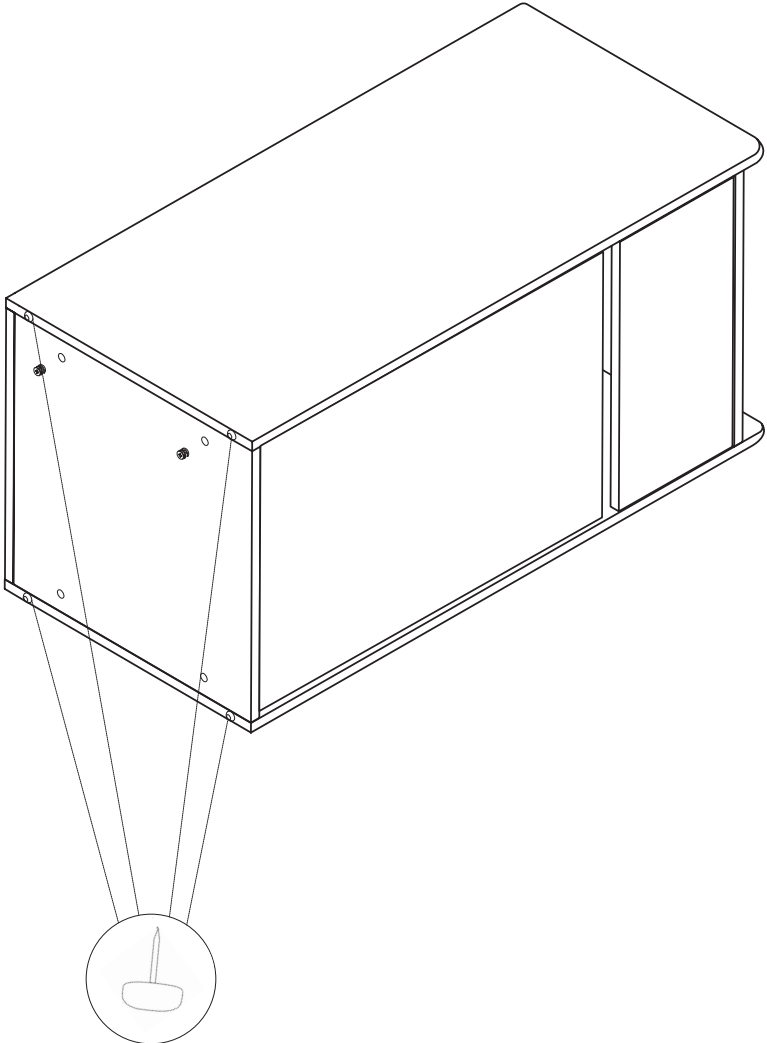
Step 5:

- A. Install all 14 Cam Lock's (2) to the pre-drilled holes on the Back Panel (D), Bottom Panel (E), and the Top Panel (A).
- B. Turn them with the screwdriver to secure the Cam Lock Bolts (1).
- C. Lay the receptacle down on its left side and insert the Door Hinges (6) into the Left Side Panel (C).
- D. Secure them with the included screws.
- E. Take the Bottom Door and secure the other half of the Door Hinges (6) with the included screws.
- F. You may want someone to hold the door while securing the hinges.



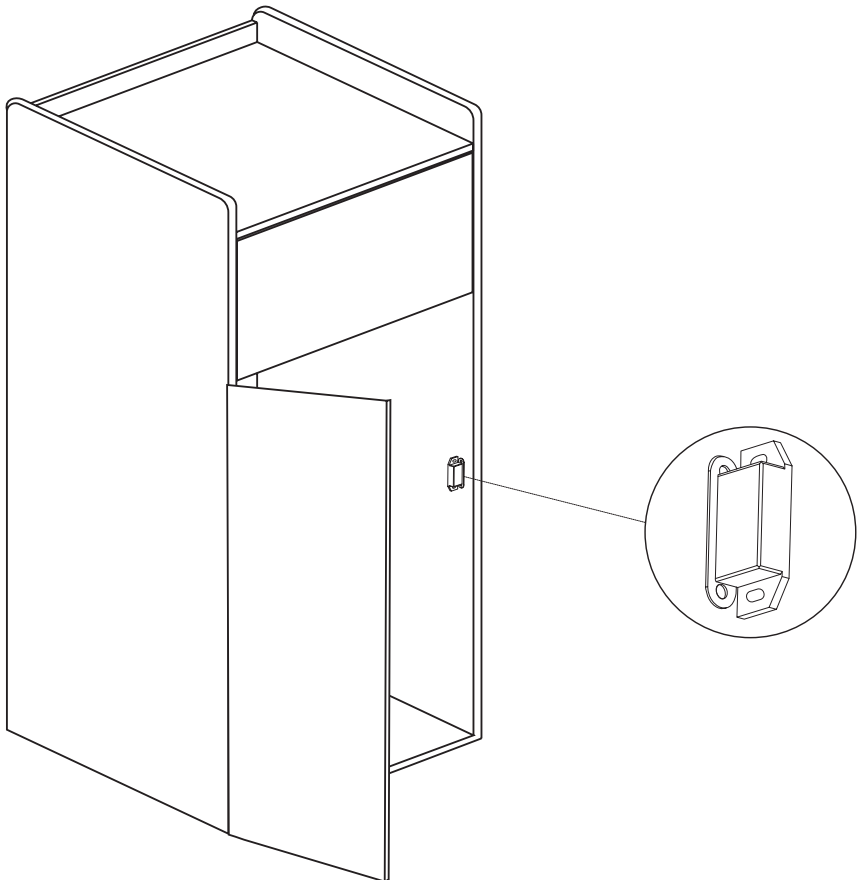
Step 6:

- A. If you want to utilize the Plastic Feet (7) that are included but optional, then take all four Plastic Feet (7) and gently tap them into the bottom corners of the waste receptacle with a rubber mallet.



Step 7:

- A. Stand your receptacle upright and locate the Door Stopper (8).
- B. On the inside of the Right Side Panel (C), you will notice two small pre-drilled holes.
- C. Line the Door Stopper (8) up to the pre-drilled holes and secure it to the panel with two screws.
 - a. Once secure, your Wooden Waste Receptacle is ready to be used.



Limited Warranty

1. Alpine Industries (the "Company" or "Tiger Companies") warrants to the purchaser that the product will be free from defects in workmanship and materials for a period of 1 year from the date of purchase. The warranty period is not extended if we repair, replace, exchange, or provide a refund for the product (as determined in our sole discretion). We may change the availability of this limited warranty at our discretion, but any changes will not be retroactive.
2. These warranties are not assignable or transferable to any other person, including, without limitation, any subsequent owner or other transferee of the product.
3. This warranty does not apply to: (a) damage caused by misuse, tampering, abuse, neglect, or accident; (b) damage caused by improper installation, modification, or service; (c) alteration of the serial number; or (d) use that violates the instructions furnished by the Company will void this warranty.
4. The sole responsibility of the Company shall be limited to (a) the repair or replacement (in its sole discretion) of any component of the product which fails to conform to this; (b) a refund the purchase price of such product (in its sole discretion), at no cost to the purchaser for the period of the warranty, or (c) an exchange for a similar product, comparable in function and price.
5. Contact the Company directly at 1-(800)-805-1790 to obtain service under this warranty. If it becomes applicable to send a defective product to the Company, a Return Authorization Number must first be obtained from the Company. In order to obtain service under this warranty, purchaser may be required to provide the Company with the following items (a) proof of purchase, (b) photographs and or videos (of the damage, and (c) a written testimonial describing the defect.
6. Products shipped without prior Return Authorization and Return Authorization Number may not be accepted, and the Company will not be responsible for their disposition and/or cost of return to the owner. 7. The Company will not assume any responsibility for any loss or damage incurred in shipping and or delivery.
7. The product(s) must be returned within 14 calendar days of receiving the return authorization from the Company and must include the original proof of purchase for the warranty to be honored.
8. This warranty is not an insurance policy. The Company is not responsible for any manner of damage to or theft of the Purchaser's product or its contents.
9. Any implied warranties that the purchaser may have are limited to the duration of the warranties described above. There are no further warranties that extend or apply beyond the face hereof, and the Company expressly disclaims and excludes any and all warranties of merchantability or fitness for a particular purpose. Some states do not allow limitations on how long an implied warranty lasts, so the above limitation may not apply to you.
10. THE REMEDIES DESCRIBED ABOVE ARE YOUR SOLE AND EXCLUSIVE REMEDIES AND THE COMPANY'S ENTIRE LIABILITY FOR ANY BREACH OF THIS LIMITED WARRANTY. OUR LIABILITY SHALL UNDER NO CIRCUMSTANCES EXCEED THE ACTUAL AMOUNT PAID BY YOU FOR THE DEFECTIVE PRODUCT, NOR SHALL WE UNDER ANY CIRCUMSTANCES BE LIABLE FOR ANY CONSEQUENTIAL, INCIDENTAL, SPECIAL OR PUNITIVE DAMAGES OR LOSSES, WHETHER DIRECT OR INDIRECT. SOME STATES DO NOT ALLOW THE EXCLUSION OR LIMITATIONS OF INCIDENTAL OR CONSEQUENTIAL DAMAGES, SO THE LIMITATION MAY NOT APPLY TO YOU.
11. Repair or replacement shall be the sole remedy for the purchaser under this warranty. The company shall not be liable for any direct, indirect, incidental or consequential damages, losses or expense arising from the use or misuse of the product. Some states do not allow the exclusion or limitations of incidental or consequential damages, so the limitation may not apply to you.
12. This warranty gives you specific legal rights, and you may also have other rights which vary from state to state.



ITEM#: ALP476-SERIES

© 2022 Alpine Industries

alpineindustries.com