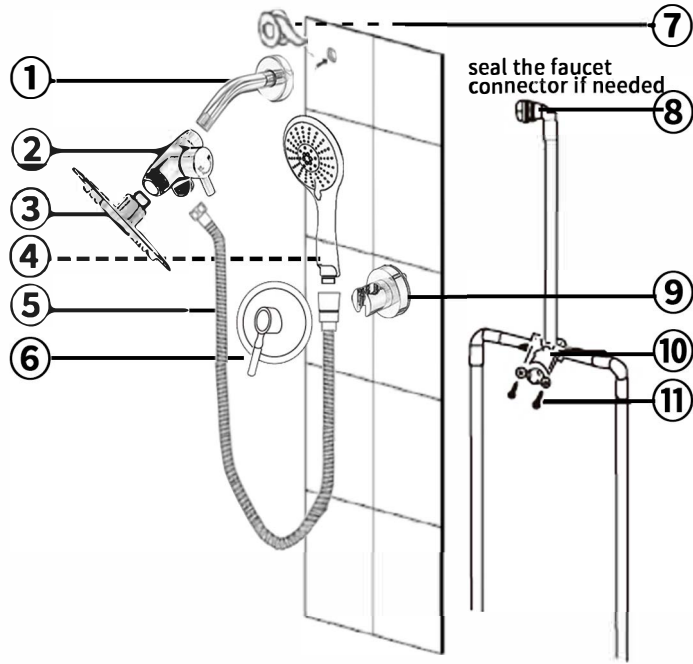
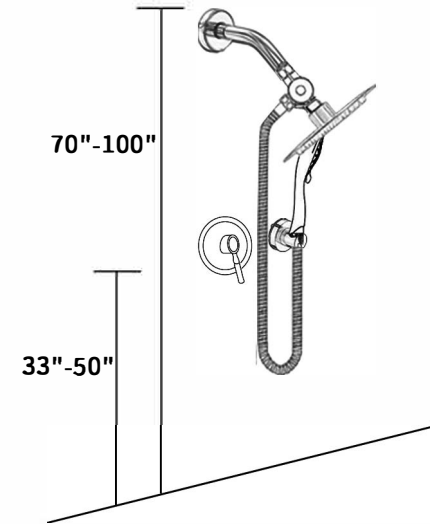


The Installation Guide



Package Include	S/N	Description	No.s
	1	Shower arm and cover plate	1
2	Diverter adapter valve	1	
3	6" shower head	1	
4	Handheld shower head	1	
5	shower Hose	1	
6	Faucet handle	1	
7	Teflon tape	1	
8	1/2 connector seal	1	
9	handheld shower holder	1	
10	Mixer valve	1	
11	Screws	4	



*Adjust the installation height according to your necessary

1

2

3. Test work (IMPORTANT)

Check the water pressure and water temperature to prevent blockage and leakage.

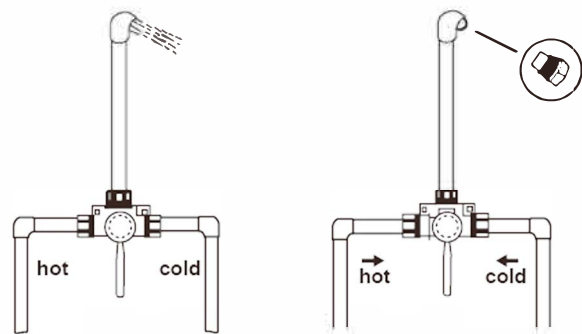
1) Before the test work, remove the protective plastic cap and simply install the handle.

2) During the test, open the water supply system, flush the two outlet pipes by operating the handle, and test whether the water pressure is appropriate.

Operating the handle to close the water and test for pressure resistance and tightness to ensure no leaks.

3) After the test is completed, plug all the pipe outlets with a plastic stopper and open the faucet.

Check the connection of the upper and lower outlets of the outlet pipe for tightness and line pressure. Make sure there are no leaks.

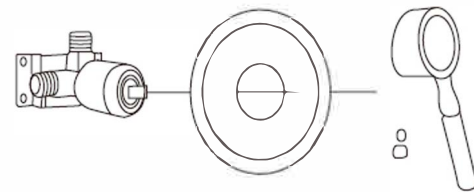


2)

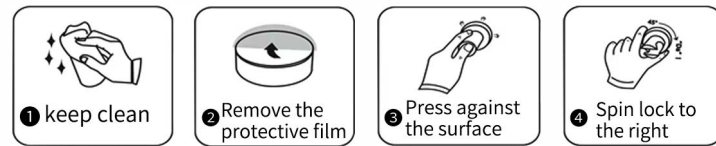
3)

5

4. Install the panel, handle.



5. Install the Hand Shower Base



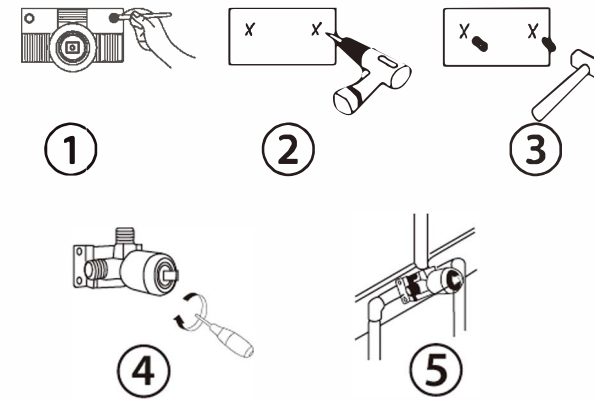
*Can be applied on smooth surfaces such as ceramic wall, marble, metal, glass, plastic, lacquer wood.

Reuse

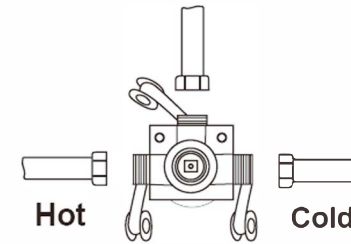
- 1) Spin to the left
- 2) Remove from surface
- 3) If needed, clean the suction cup adsorption layer under running water
- 4) Air dry the adsorption layer
- 5) Install again

6

1. The installation steps for reference



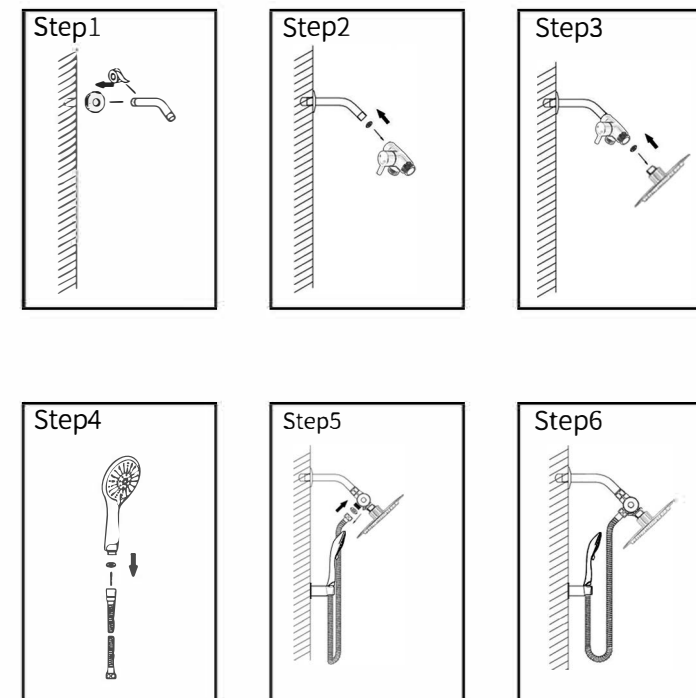
2. Connecting the inlet and outlet pipe with the valve body



3

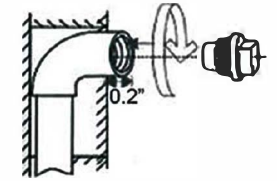
6. Install the shower arm, diverter adapter valve, shower head and Handheld Shower Head

Installation Steps



7

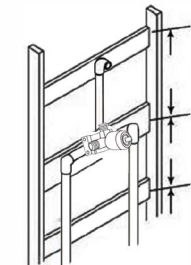
Depth of the outlet pipe: pipe bracket is installed 0.2 inch (5mm) from the front of the finished wall (as picture below)



Note:

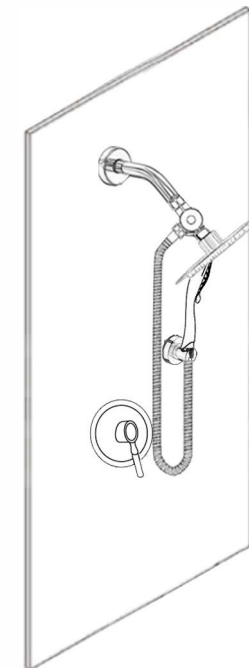
Install pipes and other components as needed (Note: Please ensure that there are no impurities in the inlet pipe to block the pipe all the time.)

Create enough space for the outlet of the recessed water pipe, the shower wall and the lower nozzle connector.



4

7. Finished



8