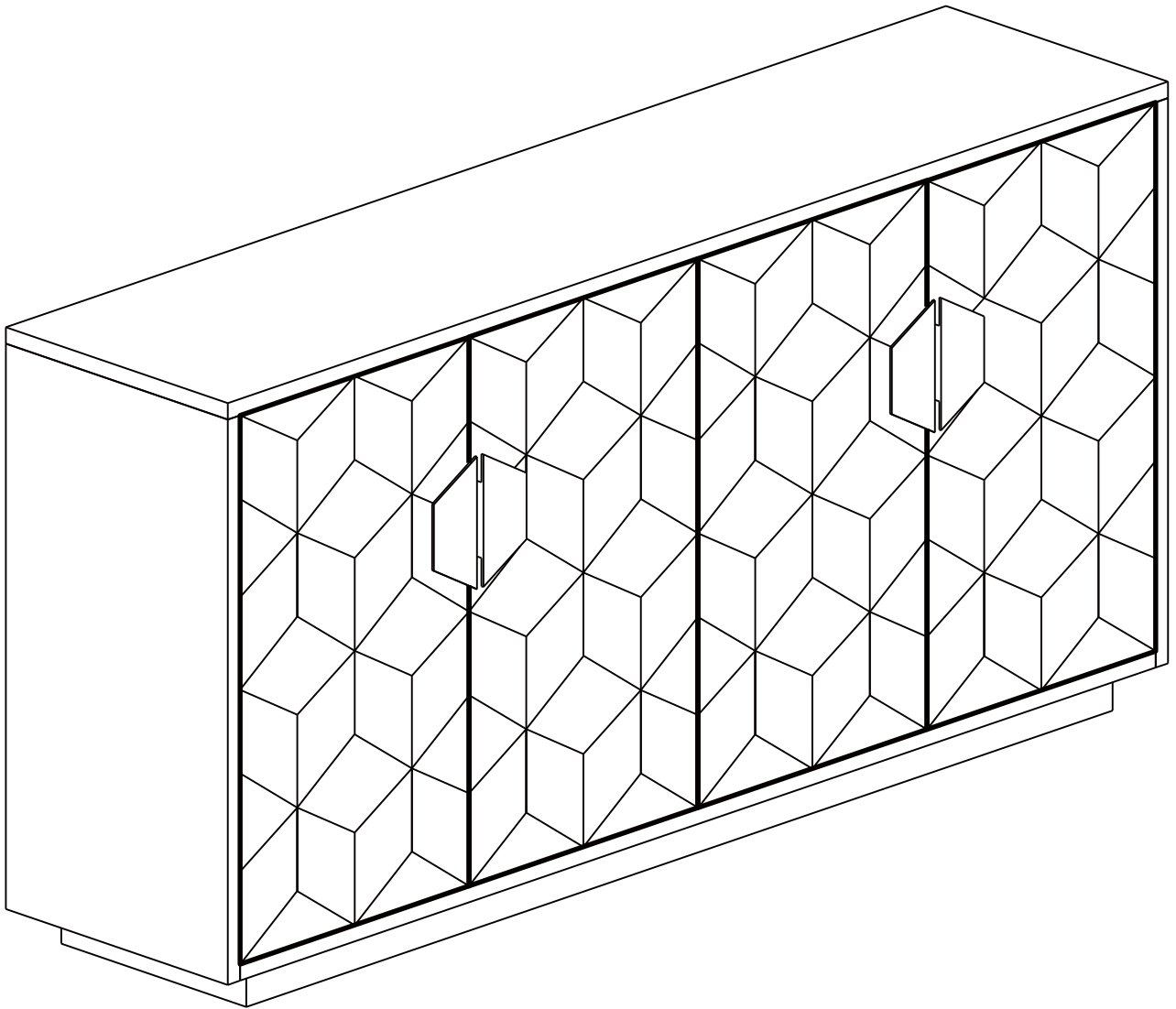
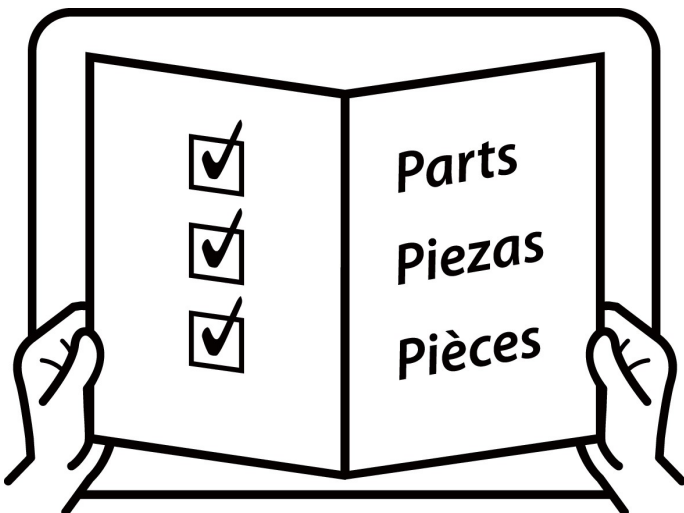
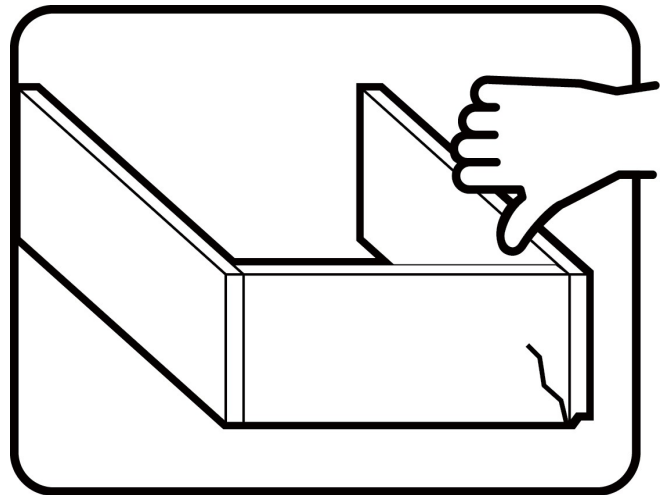
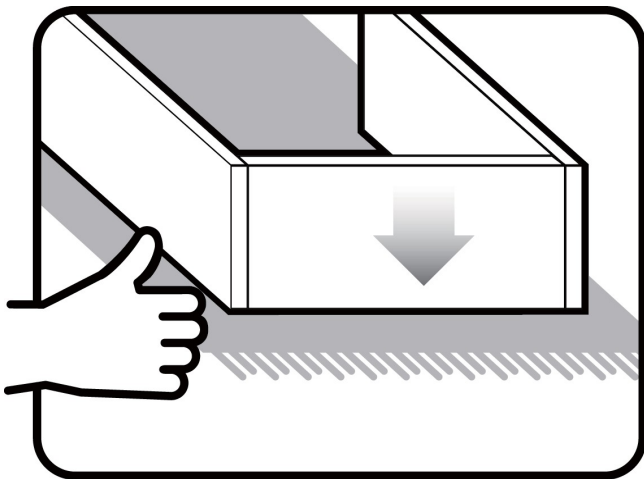
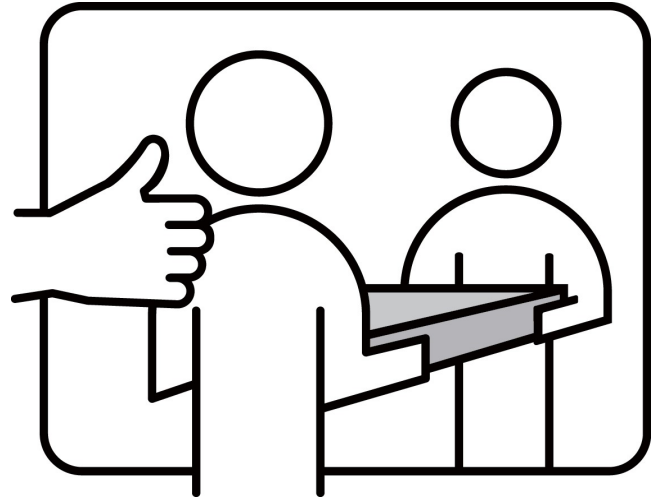
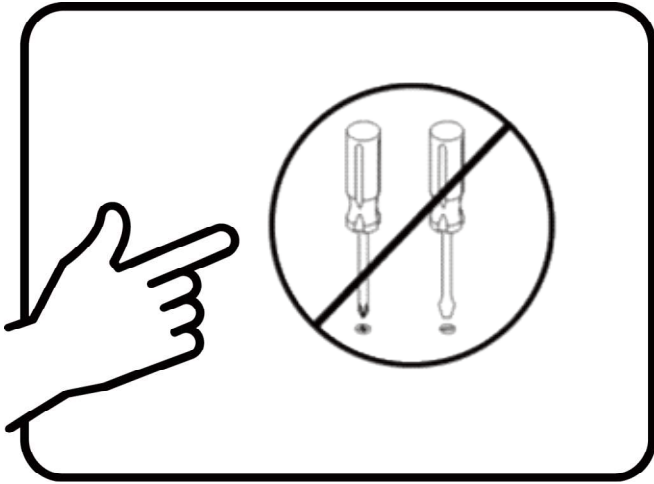


Assembly | Asambla | Assemblage

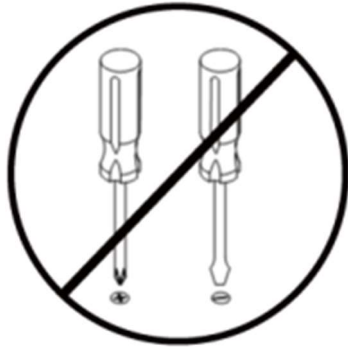


Assembly | Asambllea | Assemblage



Assembly | Asamblea | Assemblage

Techniques | Técnicas | Techniques



Care | Cuidado | Entretien

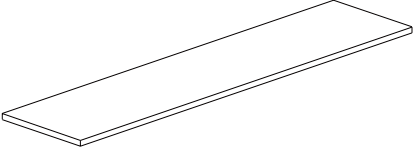
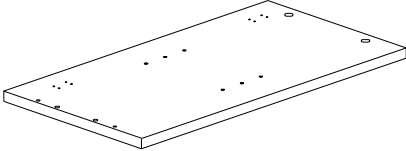
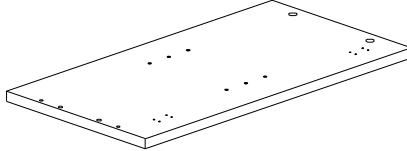
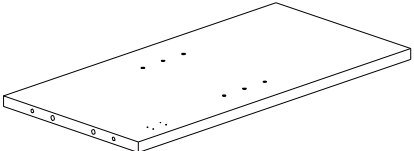
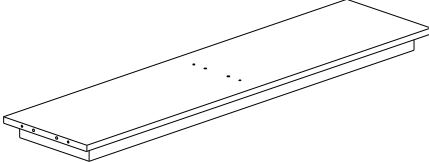
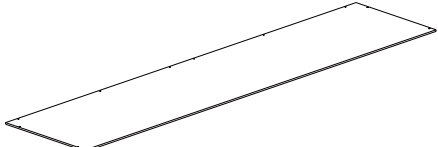
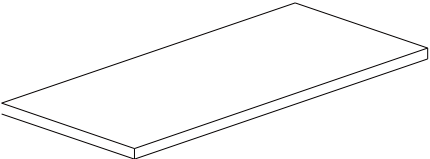
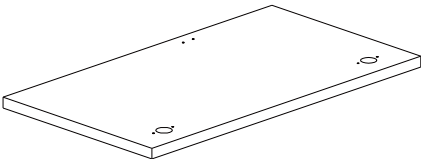
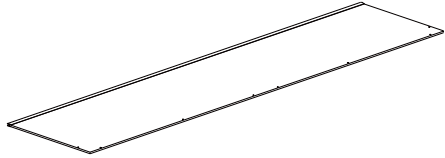


Safety | Seguridad | Sécurité





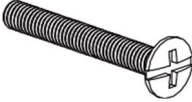

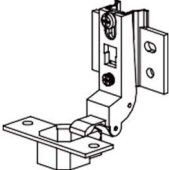
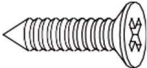




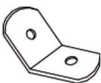
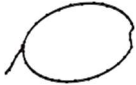
Note! | ¡Nota! | Remarque!



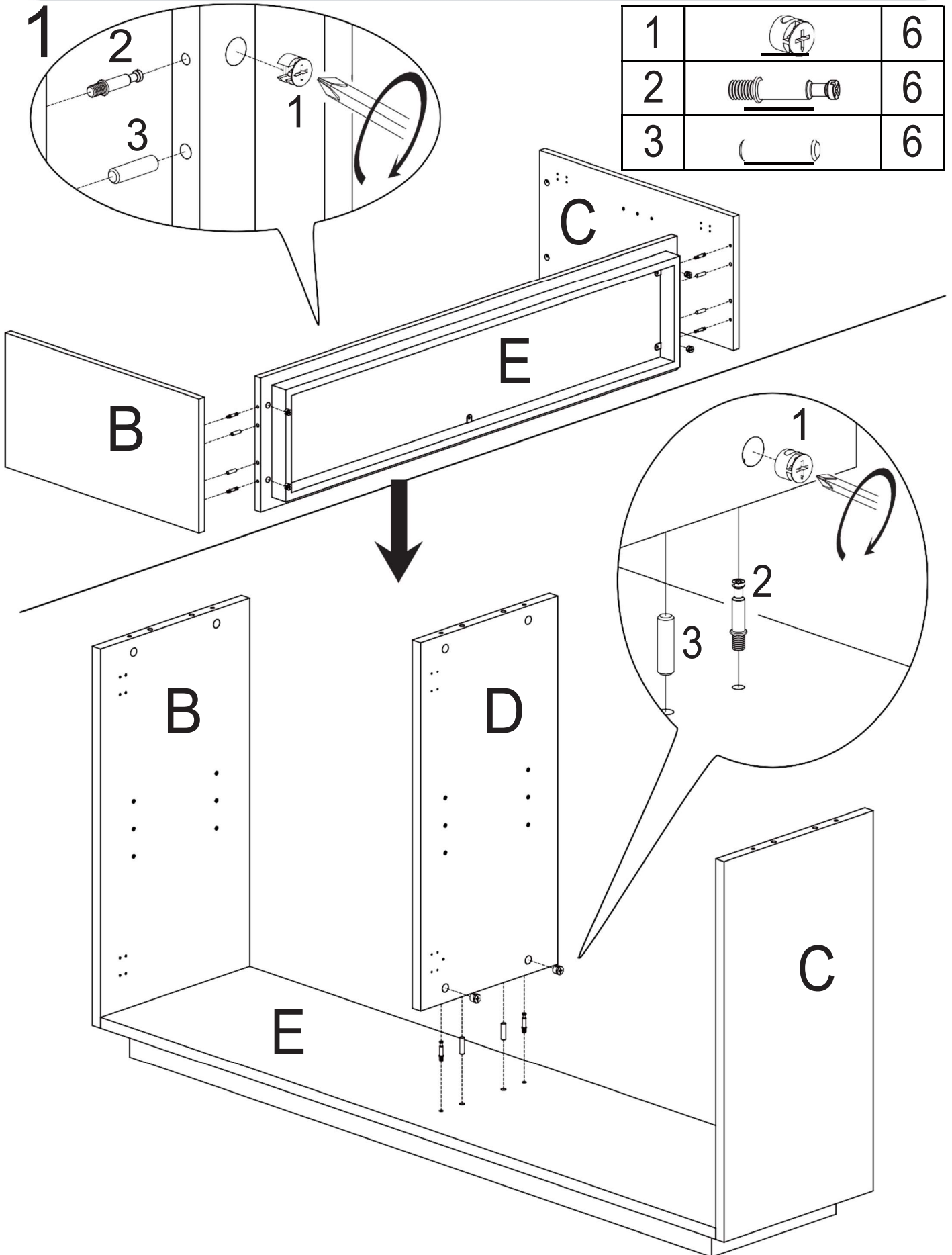
Assembly | Asambla | Assemblage

<p>A x1</p>  <p>Top</p>	<p>B x1</p>  <p>Left side</p>	<p>C x1</p>  <p>Right side</p>
<p>D x1</p>  <p>Centre panel</p>	<p>E x1</p>  <p>Bottom</p>	<p>F x1</p>  <p>Back</p>
<p>G x2</p>  <p>Adjustable shelf</p>	<p>H x4</p>  <p>Door</p>	<p>I x1</p>  <p>Back</p>

Assembly | Asambllea | Assemblage

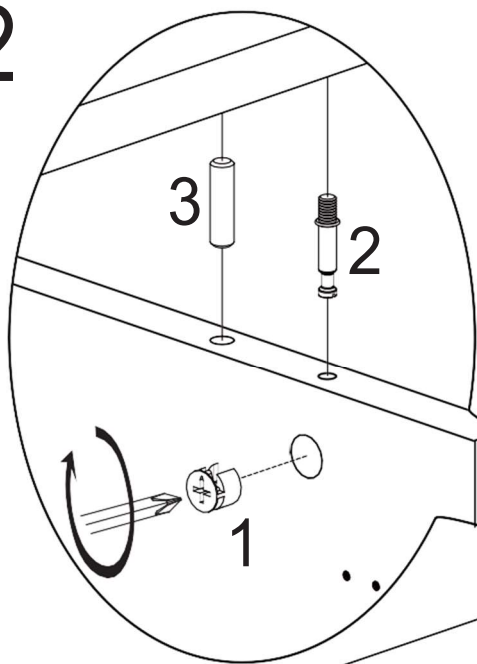
1	x12	2	x12	3	x12
					
Cam lock		Cam bolt		Wood dowel	8X40MM
4	x8	5	x8	6	x4
					
Shelf holder		Bolt		Handle	
7	x8	8	x48	9	x16
					
Hinge		Screw	3.5X16MM	Screw	3.5X25MM
10	x2	11	x2	12	x2
					
Screw		Screw	3.5X20MM	Wall Plug	
13	x4	14	x2		
					
Bracket		Plastic Rope			




Assembly | Asambllea | Assemblage

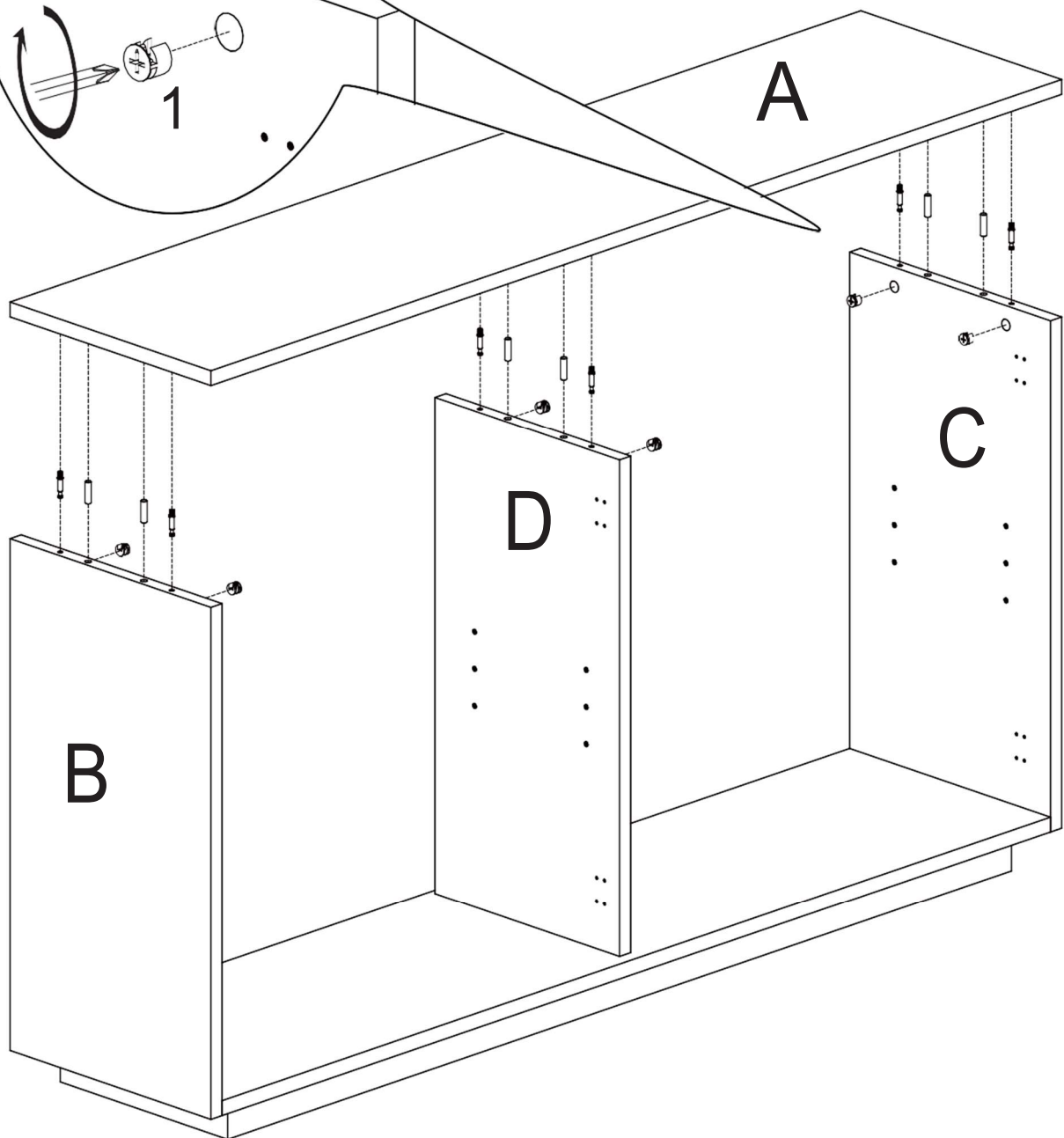


Assembly | Asambllea | Assemblage

2



1		6
2		6
3		6



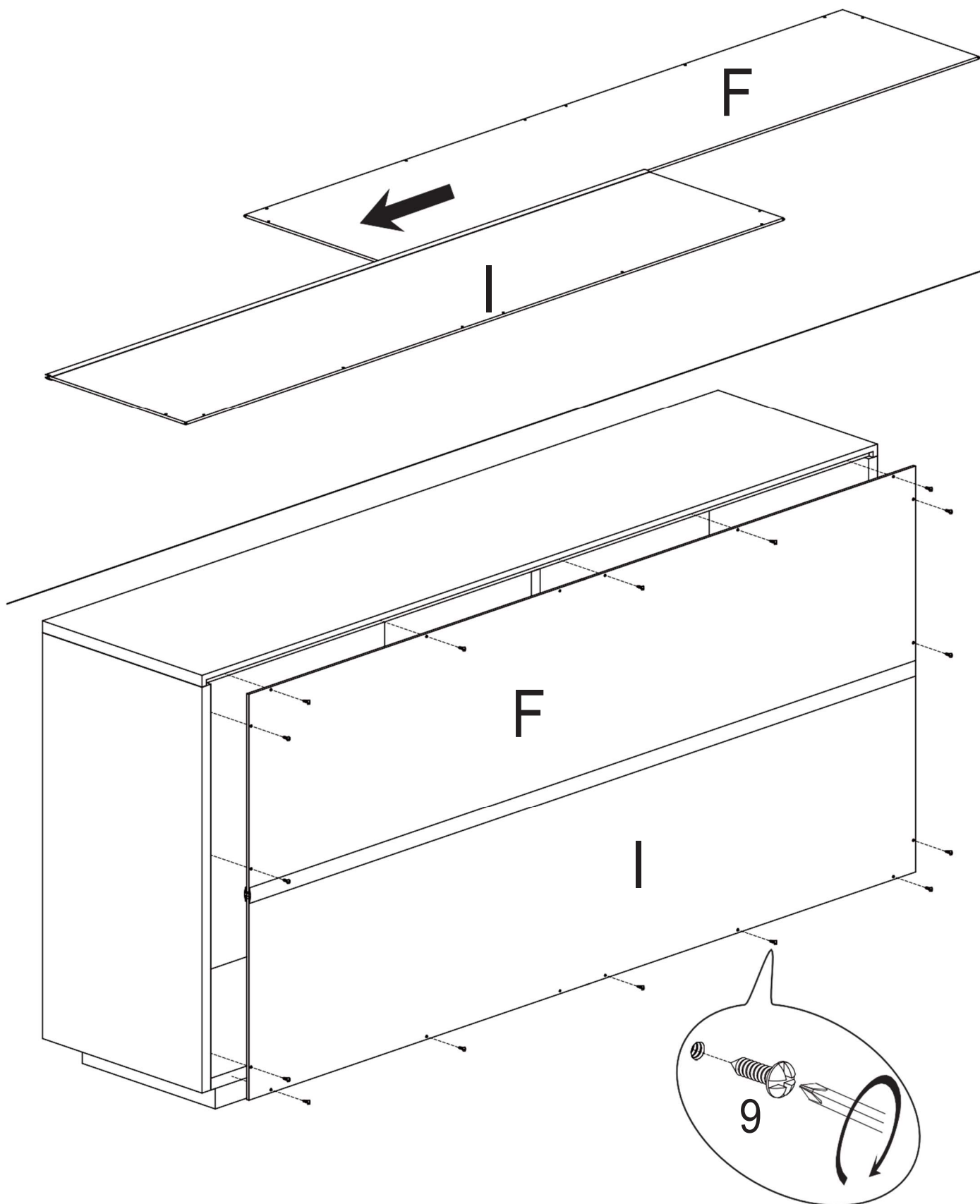
Assembly | Asambllea | Assemblage

3

9




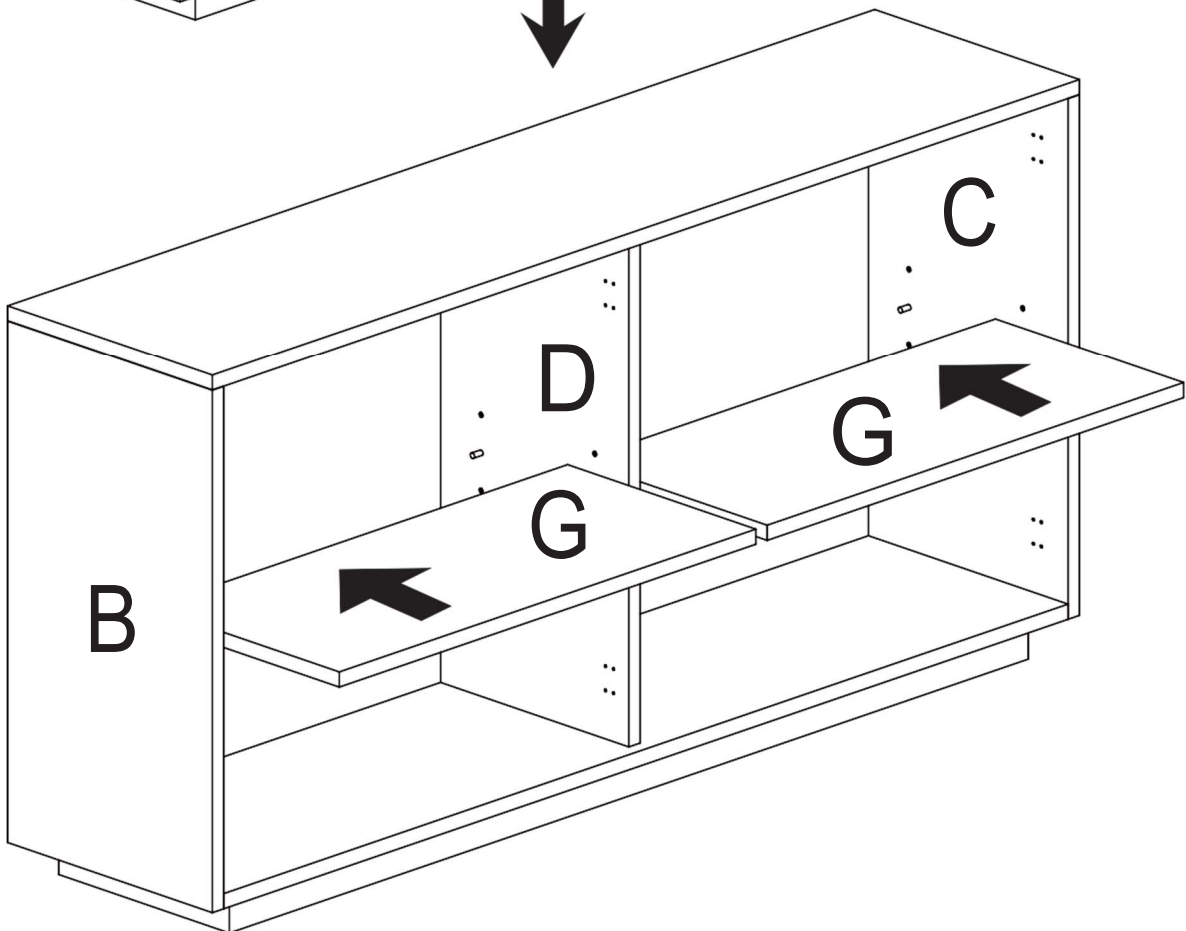
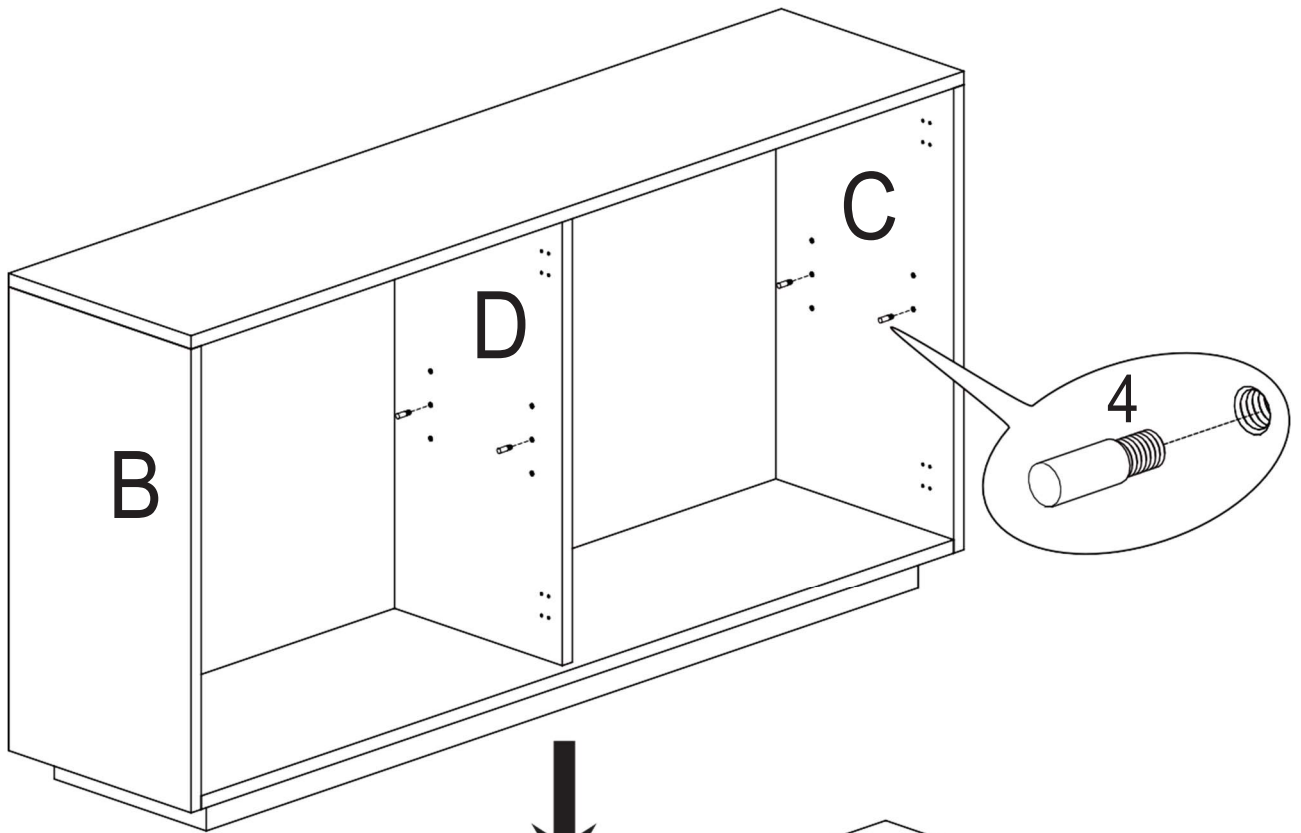
16



Assembly | Asambla | Assemblage

4



4		8
---	---	---

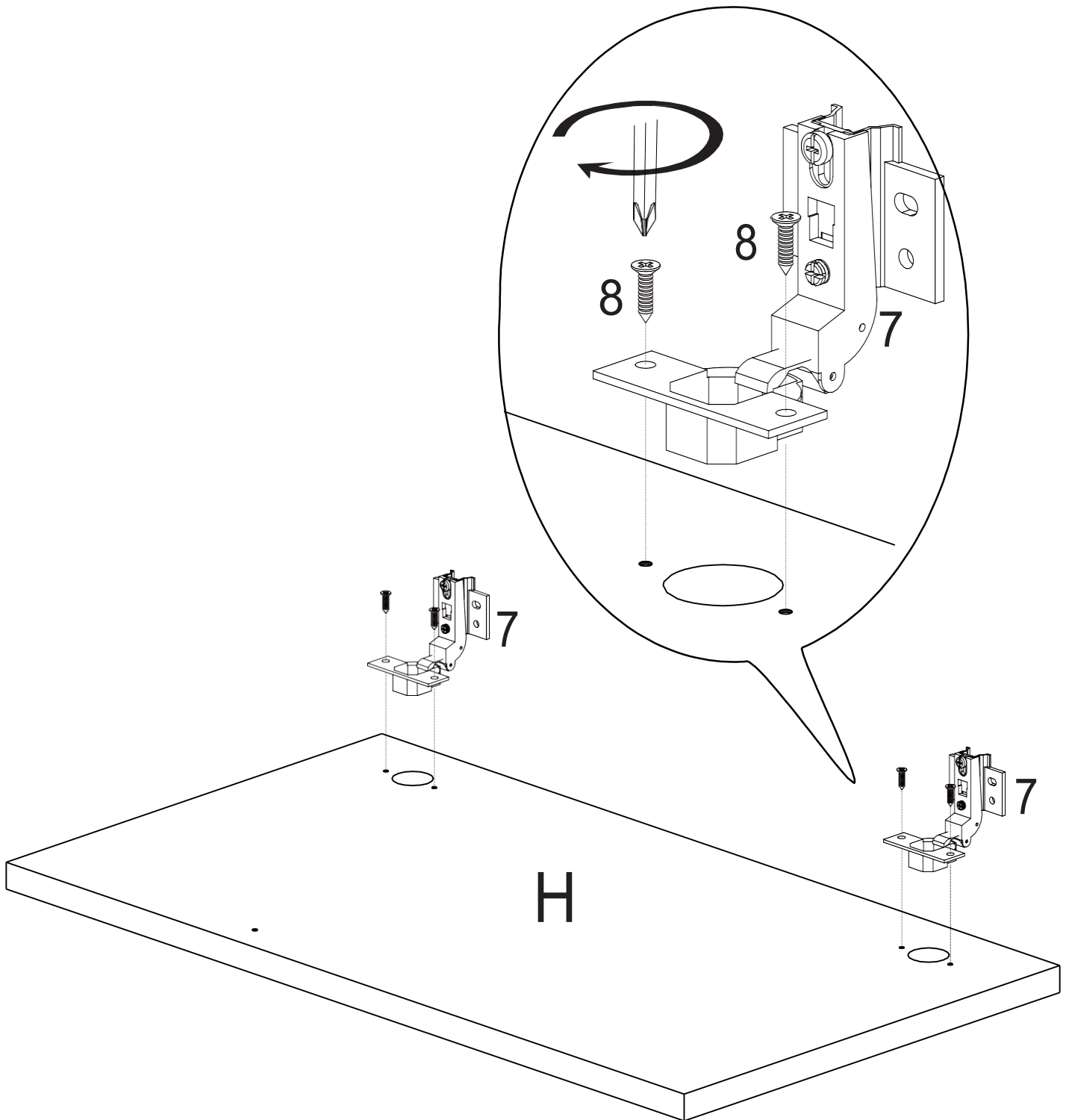


Assembly | Asambllea | Assemblage

5

x4

7		8
8		16



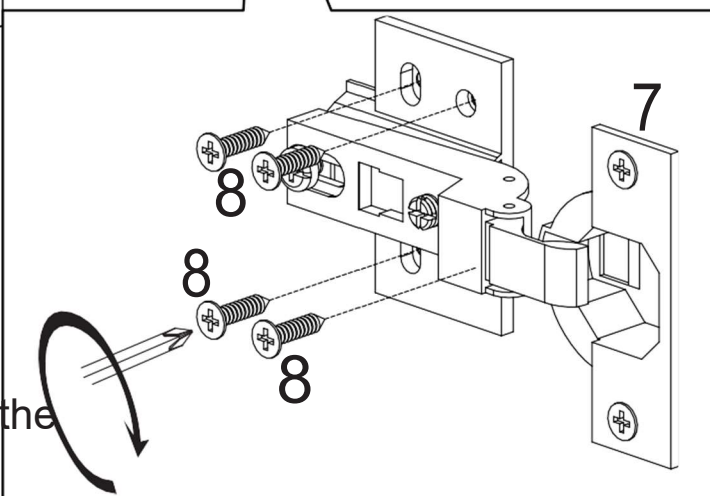
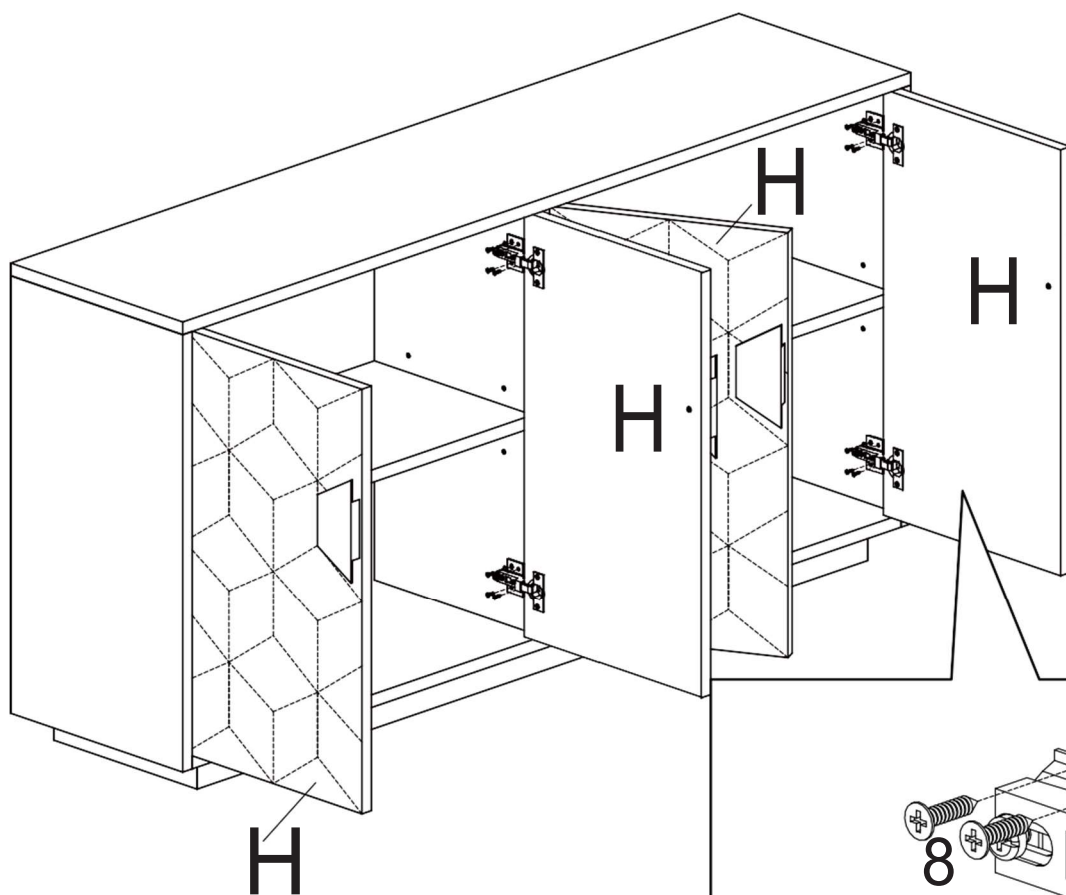
Assembly | Asambllea | Assemblage

6

8



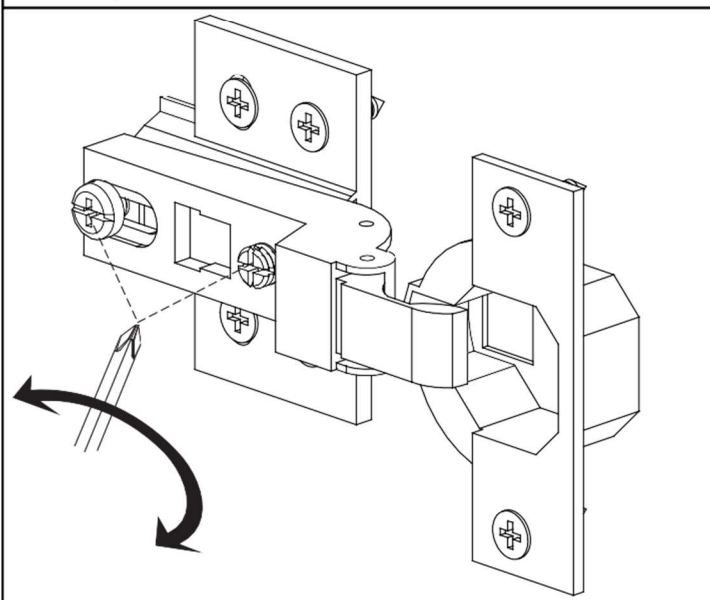
32



To achieve uniform clearance around the door, you may need to adjust the door by tightening or loosening the two screws on the hinge itself.


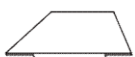
Para lograr un espacio uniforme alrededor de la puerta, es posible que deba ajustar la puerta apretando o aflojando los dos tornillos de la bisagra.

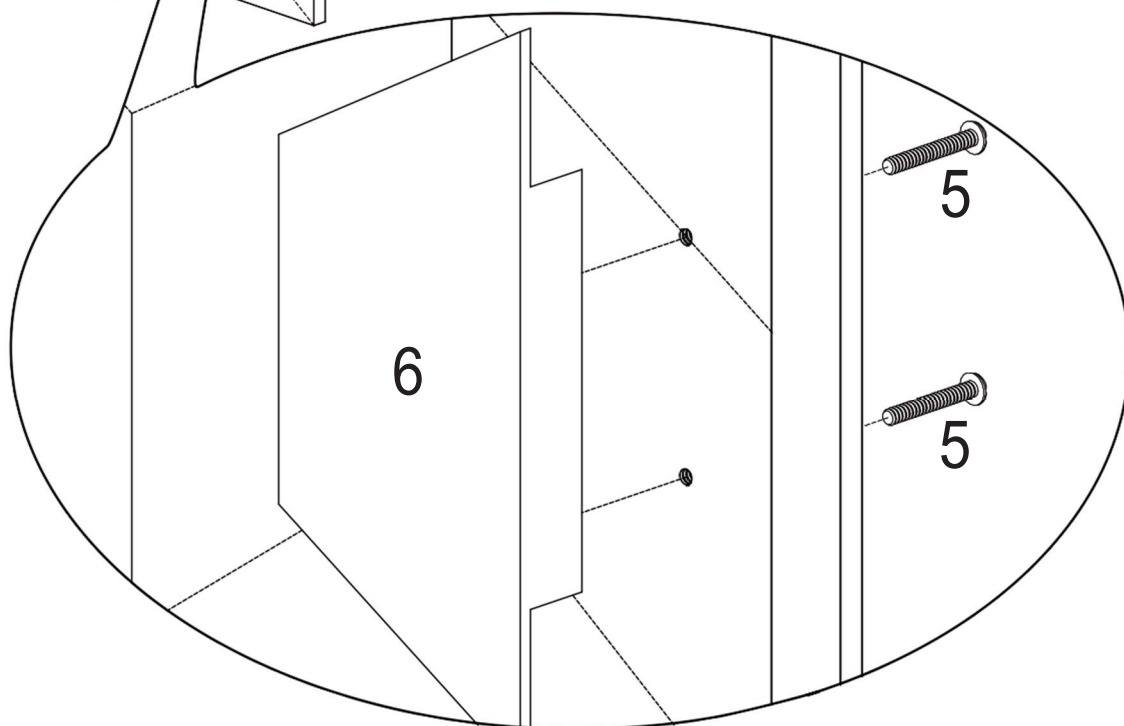
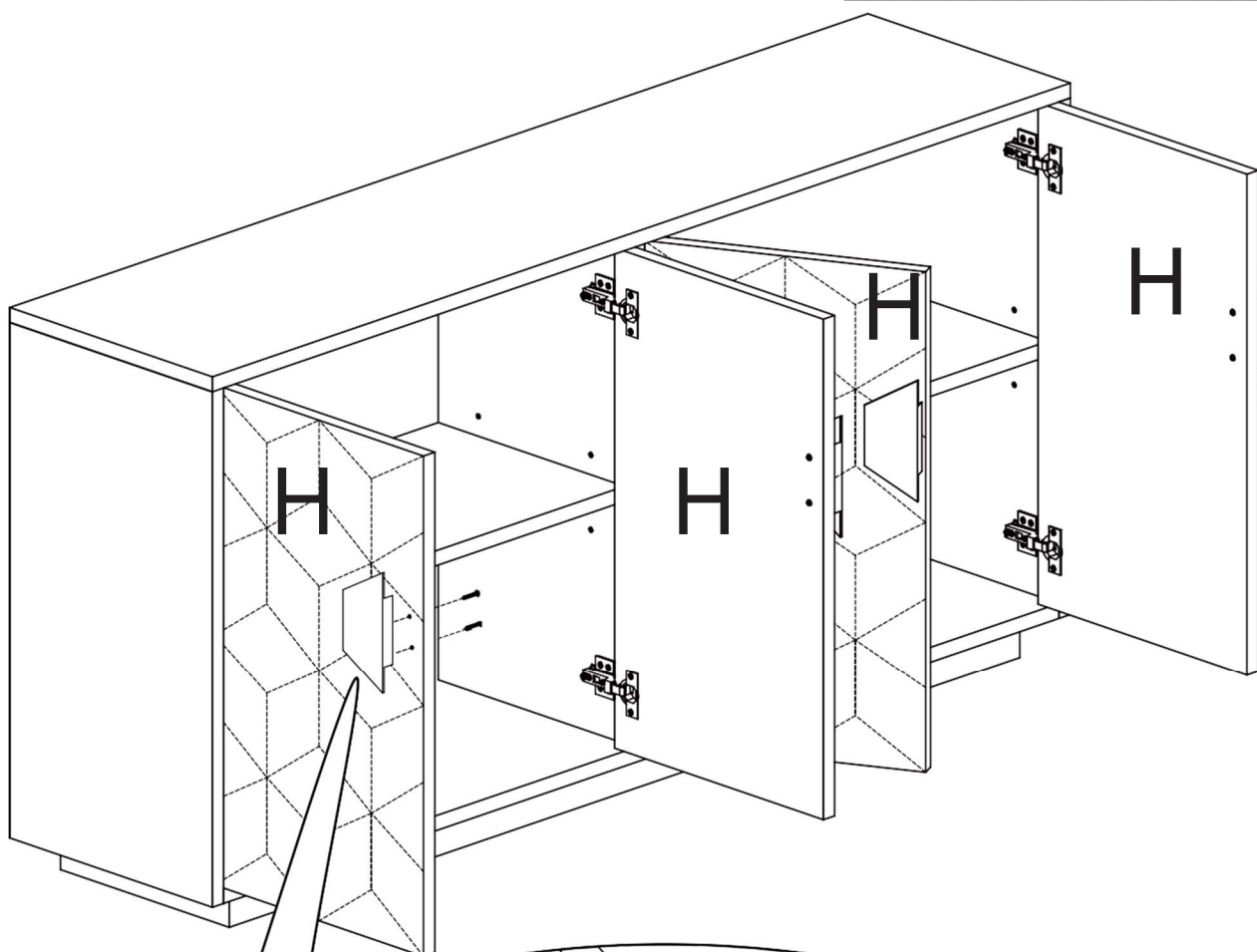
Pour obtenir un jeu uniforme autour de la porte, vous devrez peut-être ajuster la porte en serrant ou en desserrant les deux vis de la charnière.



Assembly | Asambllea | Assemblage

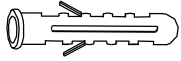
7

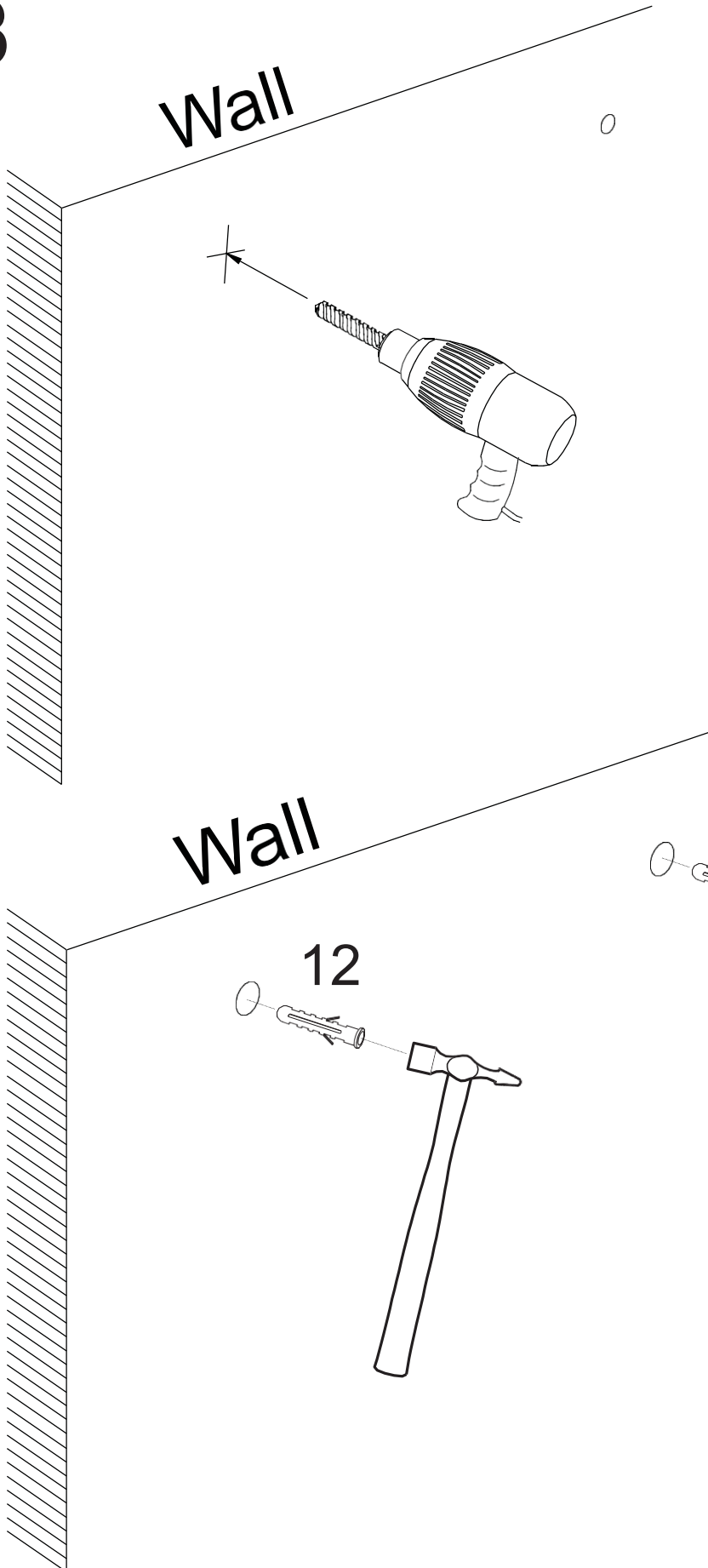
5		8
6		4



Assembly | Asambllea | Assemblage

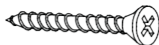



8

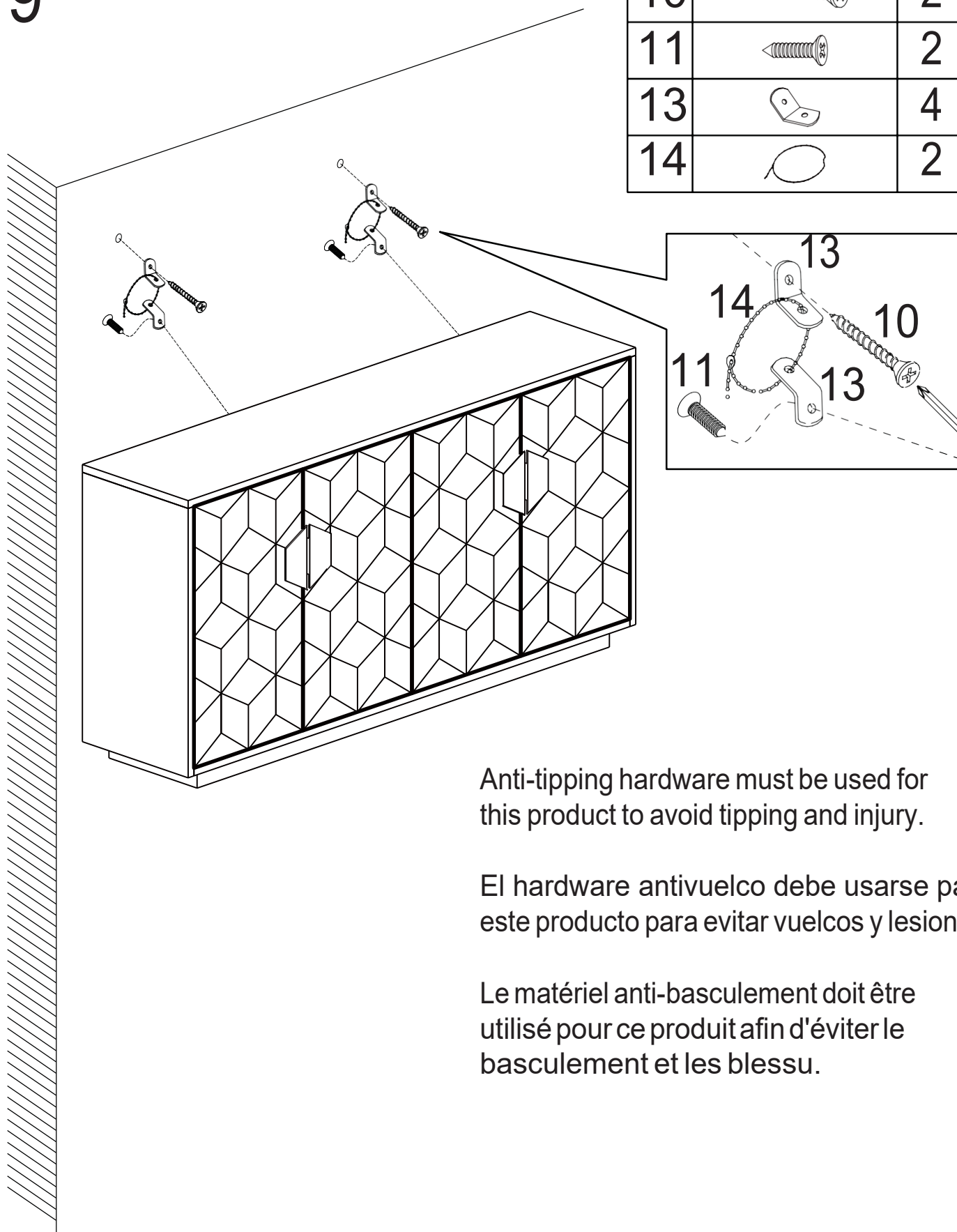
12		2
----	---	---



Assembly | Asamlea | Assemblage

9

10		2
11		2
13		4
14		2



Anti-tipping hardware must be used for this product to avoid tipping and injury.

El hardware antivuelco debe usarse para este producto para evitar vuelcos y lesiones.

Le matériel anti-basculement doit être utilisé pour ce produit afin d'éviter le basculement et les blessu.