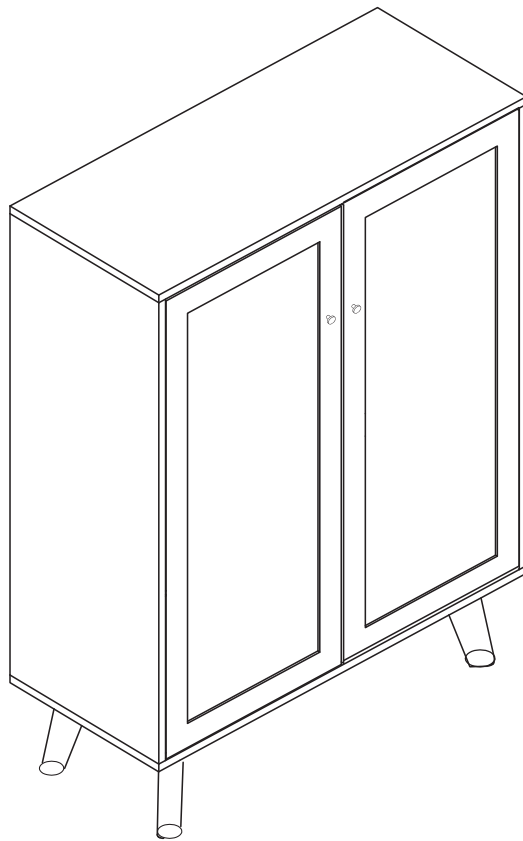




# Rattan Two Door Cabinet

Applicable Item NO.: H0030/H0086/H0091



**2 HOURS**  
ASSEMBLY TIME

**2 PEOPLE**  
REQUIRED FOR ASSEMBLY

**2 x 1 m**  
FLOOR SPACE REQUIRED

PLEASE READ ALL INSTRUCTIONS CAREFULLY BEFORE ASSEMBLING AND USING THE PRODUCT.

## SAFETY ADVICE

- Keep the product away from fire and inflammable objects.
- Do not stand on the product or use the product as a stepladder.
- Do not overload, otherwise it will cause risk of injury and/or damage to the product.
- Never allow kids to climb on or lean against the product. The product comes with an anti-tip wall anchor. Do fix the anti-tip device to avoid potential injury.
- Check that the product is stably built before use and make sure the product stands on a solid and level surface.

## CARE ADVICE

- Wipe with soft dry cloth.
- Never allow any sharp objects to touch the surface. It will damage the finish of the product.
- Never allow any kind of liquid to remain on the surface. Water penetration will cause damage to the wood material.
- Please periodically check all fittings and re-tighten as necessary.

## ASSEMBLY ADVICE

- Ensure that you have sufficient space and people to assemble the product safely.
- Please check that all parts are present before you start the assembly. A Phillips head screwdriver (not included) is required for the assembly.
- Please assemble the product on a protected surface (packaging box, or mat, etc) to avoid any damage.
- During assembly, do not tighten bolts/screws completely until all bolts/screws are lined up and inserted into holes; do not over-tighten screws and bolts to avoid stripping; do not use power tools.
- Please check that the product is well and stably built before usage.

KEEP ALL SAFETY ADVICE AND SAVE THIS INSTRUCTIONS FOR FUTURE REFERENCE

# Guarantee From Anmytek

We offer 12-month warranty for all our products from the date of original purchase.

## Statement:

The product is well-packed with strengthened box and protective foam. Each panel is separately wrapped with soft protective foam, while the hardware is included in a single box. An instructions manual should be included in the box as well. Well protected though, damage happens sometimes.













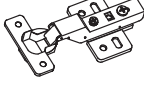
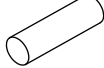



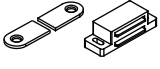

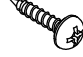
To successfully assemble the item and enjoy your cozy furniture, please kindly check the parts and accessories according to the packing list in the next two pages.

If there are any parts missing, damaged or defective, please feel free to contact us for support via the following email. You can contact us for support at any time. Usually we will respond to you within 24 hours.

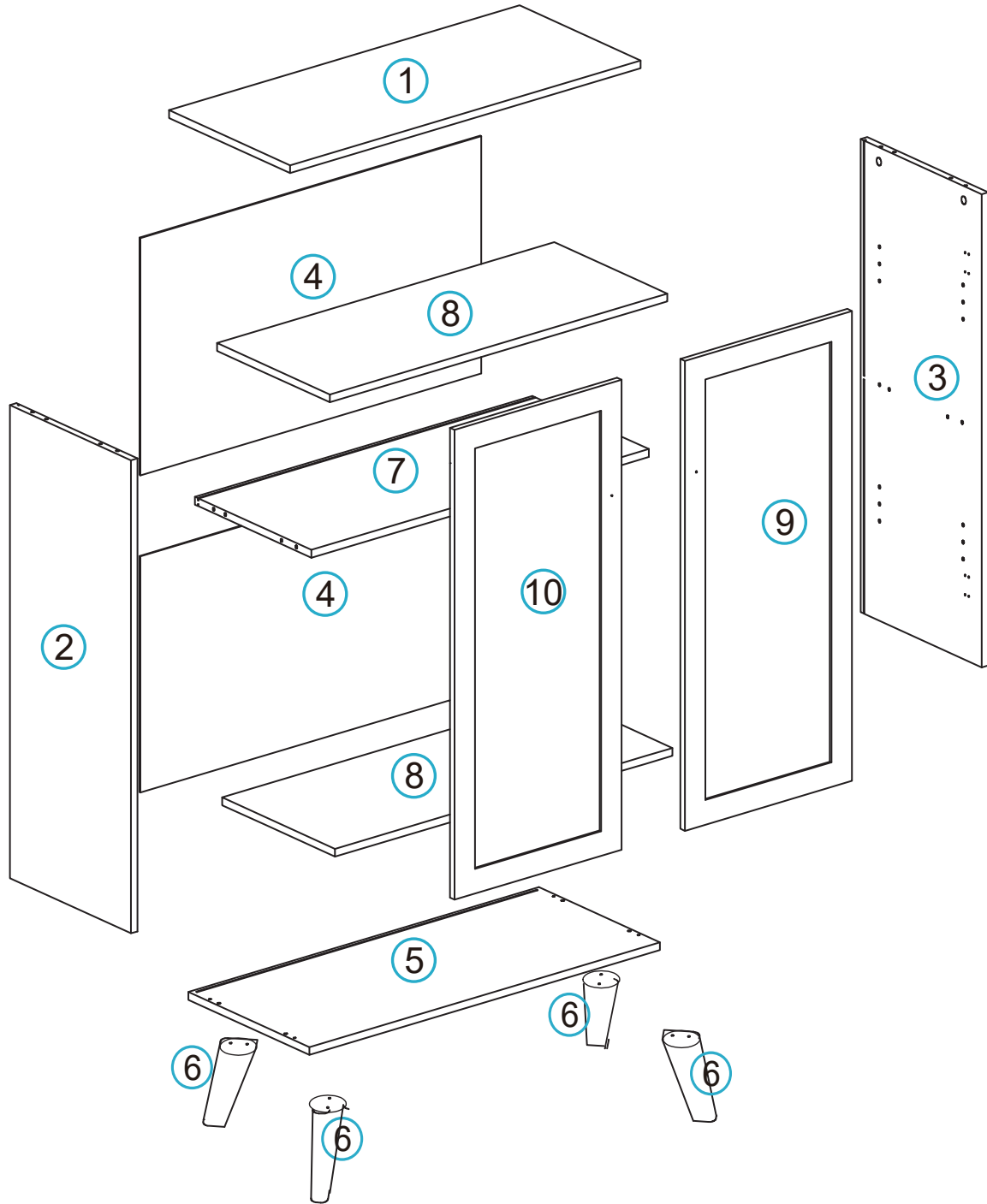
Email: [service@anmytek.com](mailto:service@anmytek.com)

The information required for a better support from us:
Order Number:
Part Number needed to replace:
Shipping Information (Name, Address, Contact Number):
Picture of the damaged/defective parts (if possible):

**Note:** If the instructions manual is missing pages, there is a QR Code printed on the packaging box where you can scan and download the electrical instructions for reference. If error happens, contact us via email directly.

<b>Hardware List</b>				
A		$\varnothing 6 \times 30 \text{ mm}$	Wooden Dowel	12 pcs
B		$\varnothing 4 \times 40 \text{ mm}$	Screw	14 pcs
C		$\varnothing 15 \times 10 \text{ mm}$	Cam Lock	8 pcs
D		$\varnothing 6 \times 35 \text{ mm}$	Cam Bolt	8 pcs
E		$\varnothing 4 \times 14 \text{ mm}$	Screw	24 pcs
F		$\varnothing 6 \times 12 \text{ mm}$	Bolt	16 pcs
G			Metal Sheet	4 pcs
H			Washer	4 pcs
I			Wall Anchor	2 pcs
J			Safety Strap	2 pcs
K			Plastic Wedge	8 pcs
L		$\varnothing 3 \times 14 \text{ mm}$	Screw	12 pcs
M			Door Hinge	4 pcs
N		$\varnothing 5 \times 20 \text{ mm}$	Shelf Support Pin	8 pcs
O			Handle	2 pcs
P		$\varnothing 3 \times 12 \text{ mm}$	Screw	4 pcs
Q		$\varnothing 4 \times 16 \text{ mm}$	Bolt	2 pcs
R			Magnetic touch	2 pcs
S			Foot Pad	4 pcs
T		$\varnothing 4 \times 12 \text{ mm}$	Screw	2 pcs

## Product Diagram

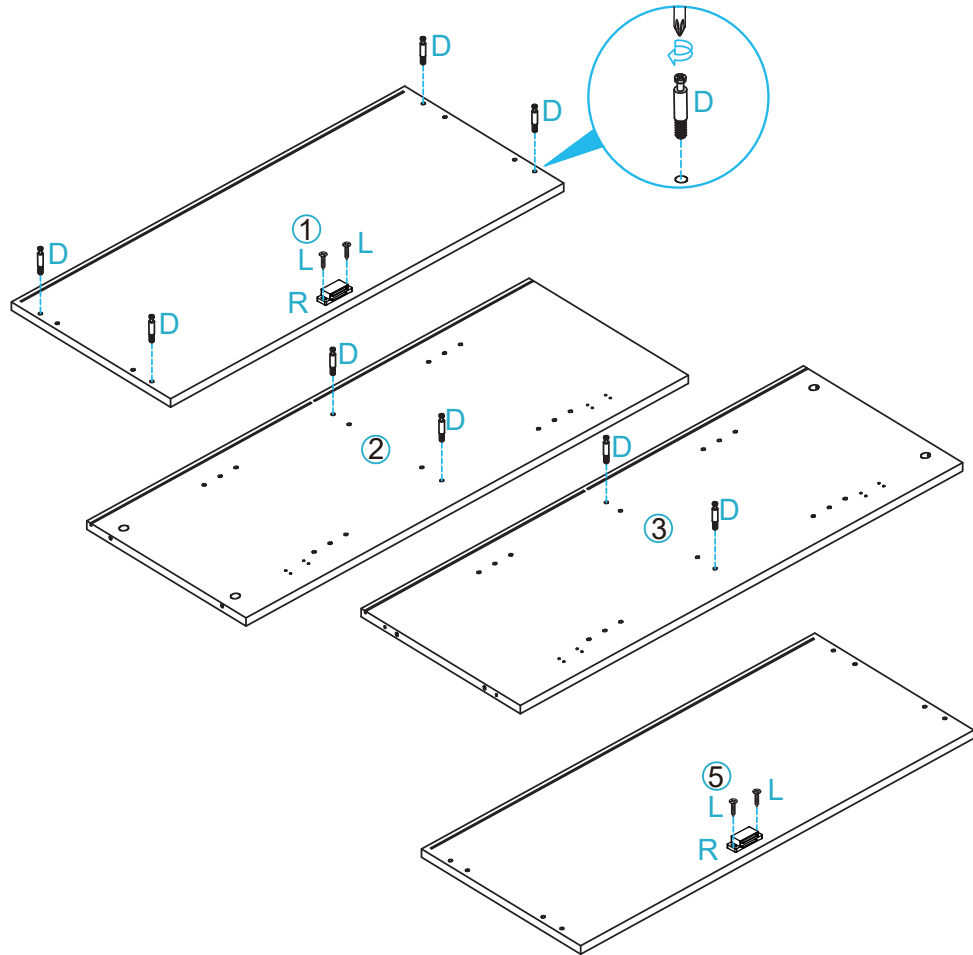
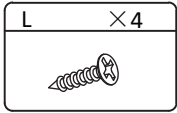
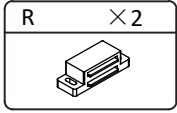
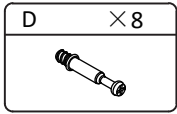


### **After-sales Support**

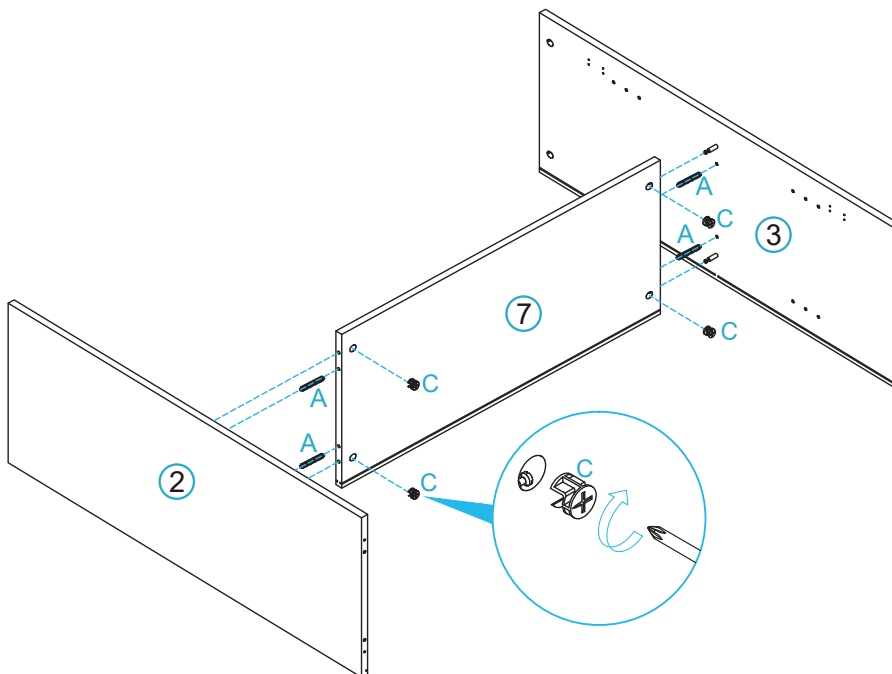
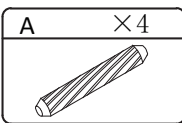
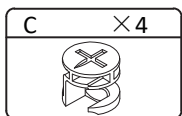
If there are any parts missing, damaged or defective, please feel free to contact us for support via the following email. Information required is listed on Page 3.

Email: [service@anmytek.com](mailto:service@anmytek.com)

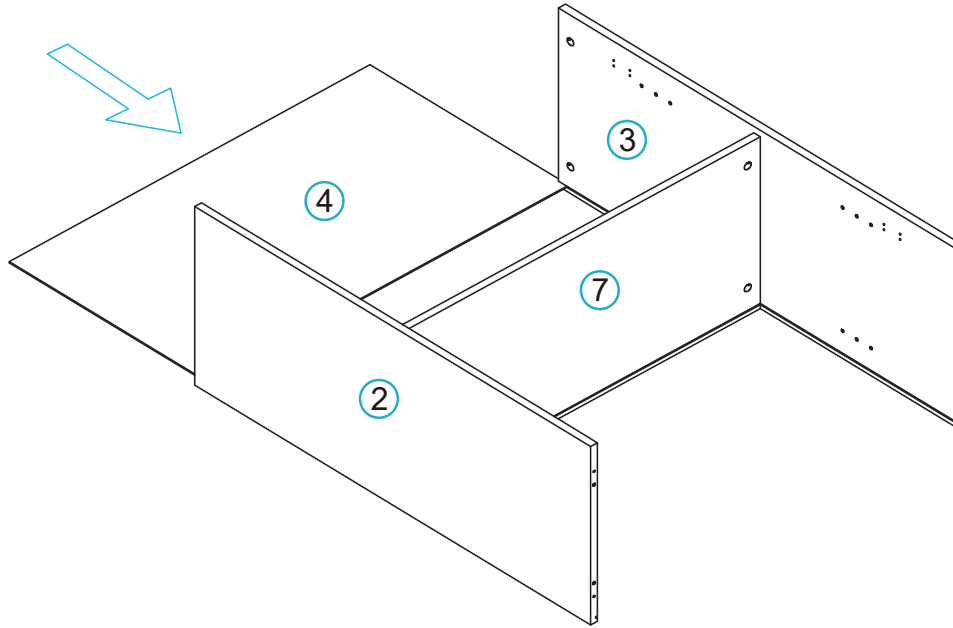
## Step 1



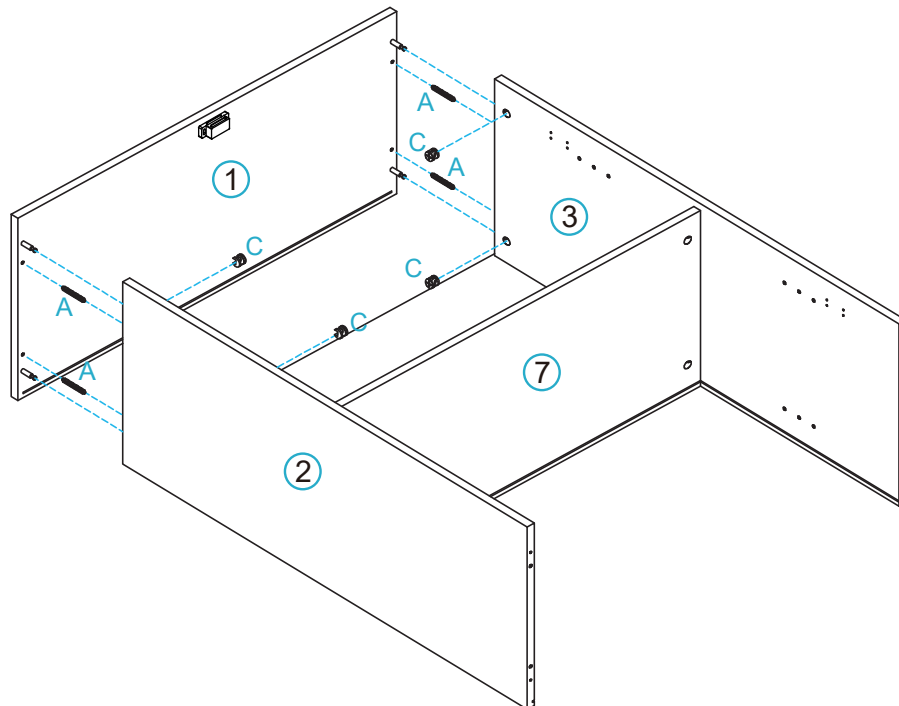
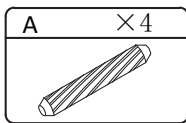
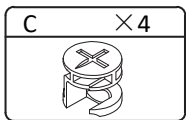
## Step 2



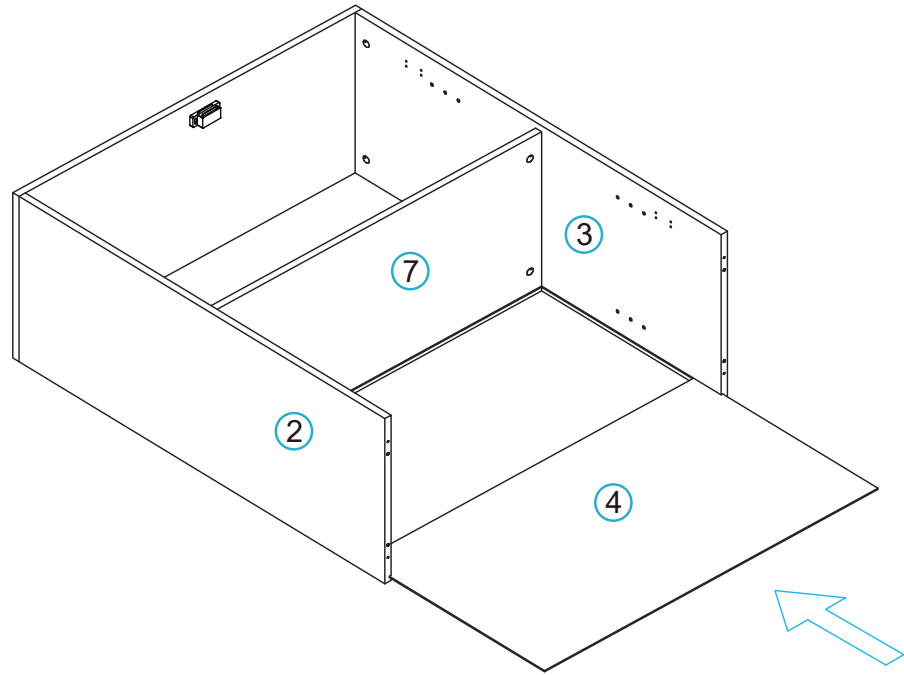
### Step 3



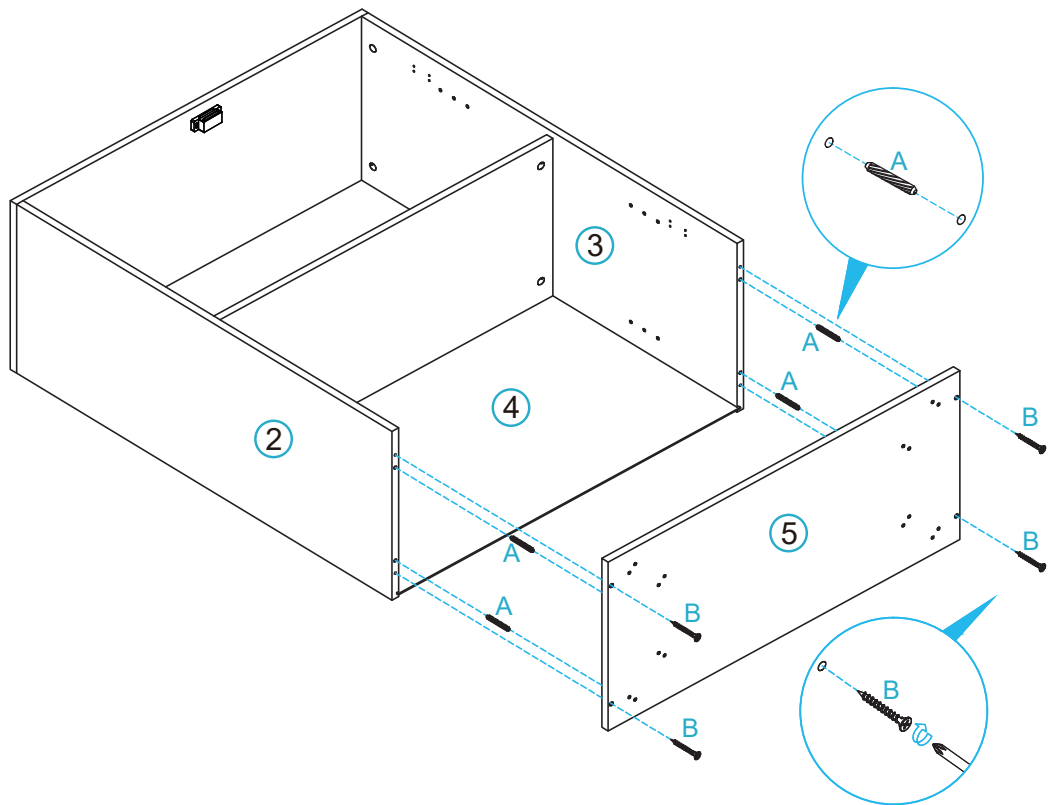
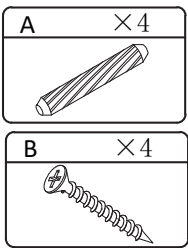
### Step 4



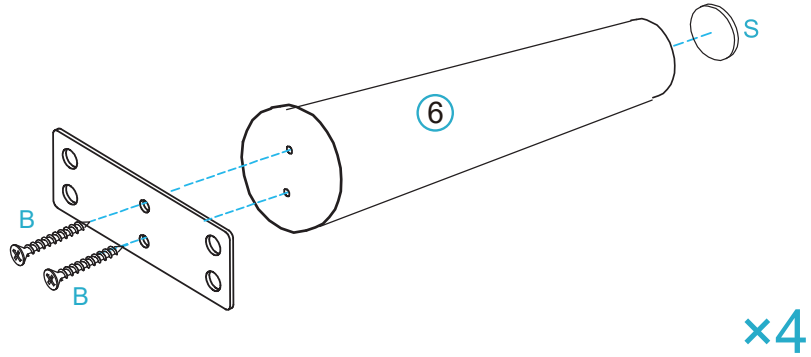
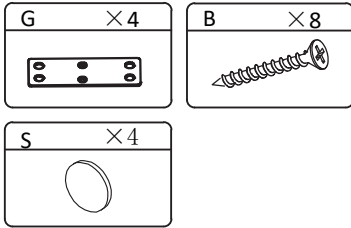
### Step 5



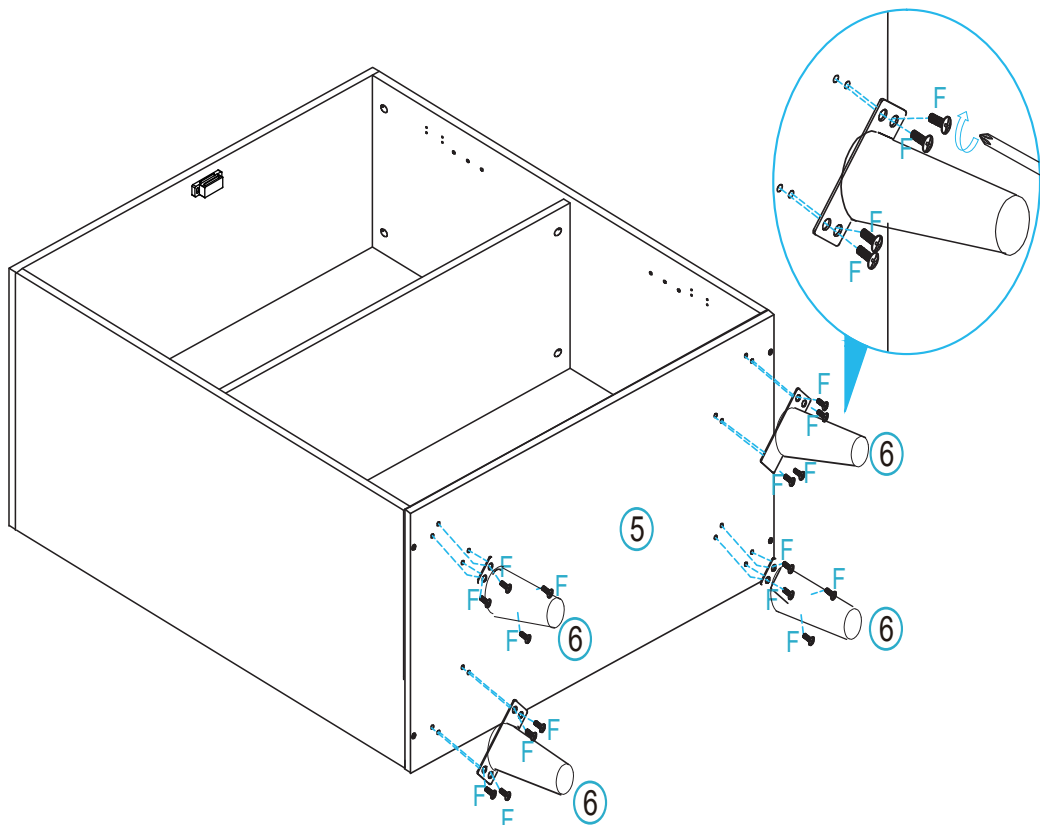
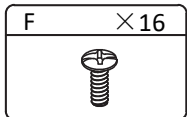
### Step 6



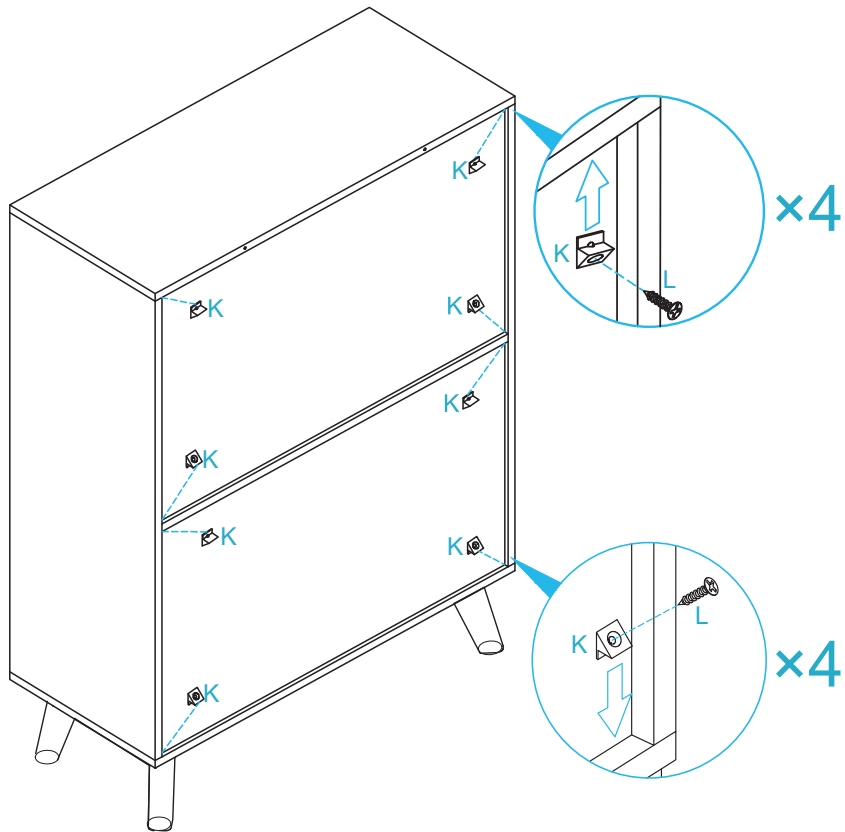
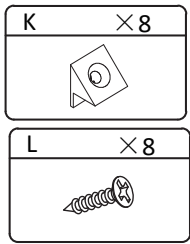
## Step 7



## Step 8

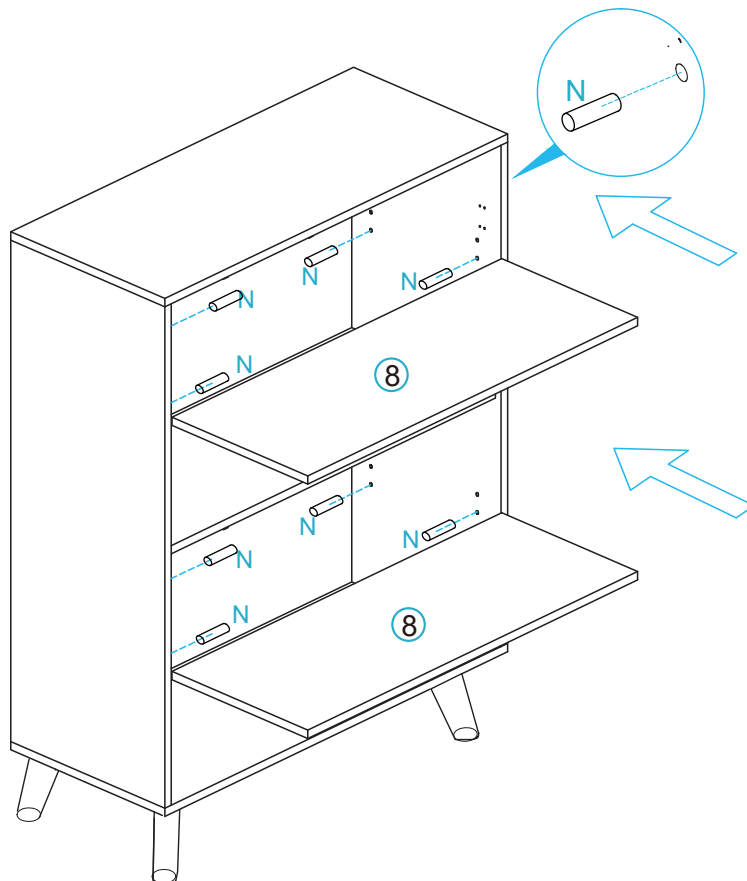
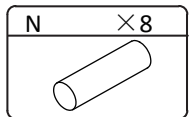


## Step 9



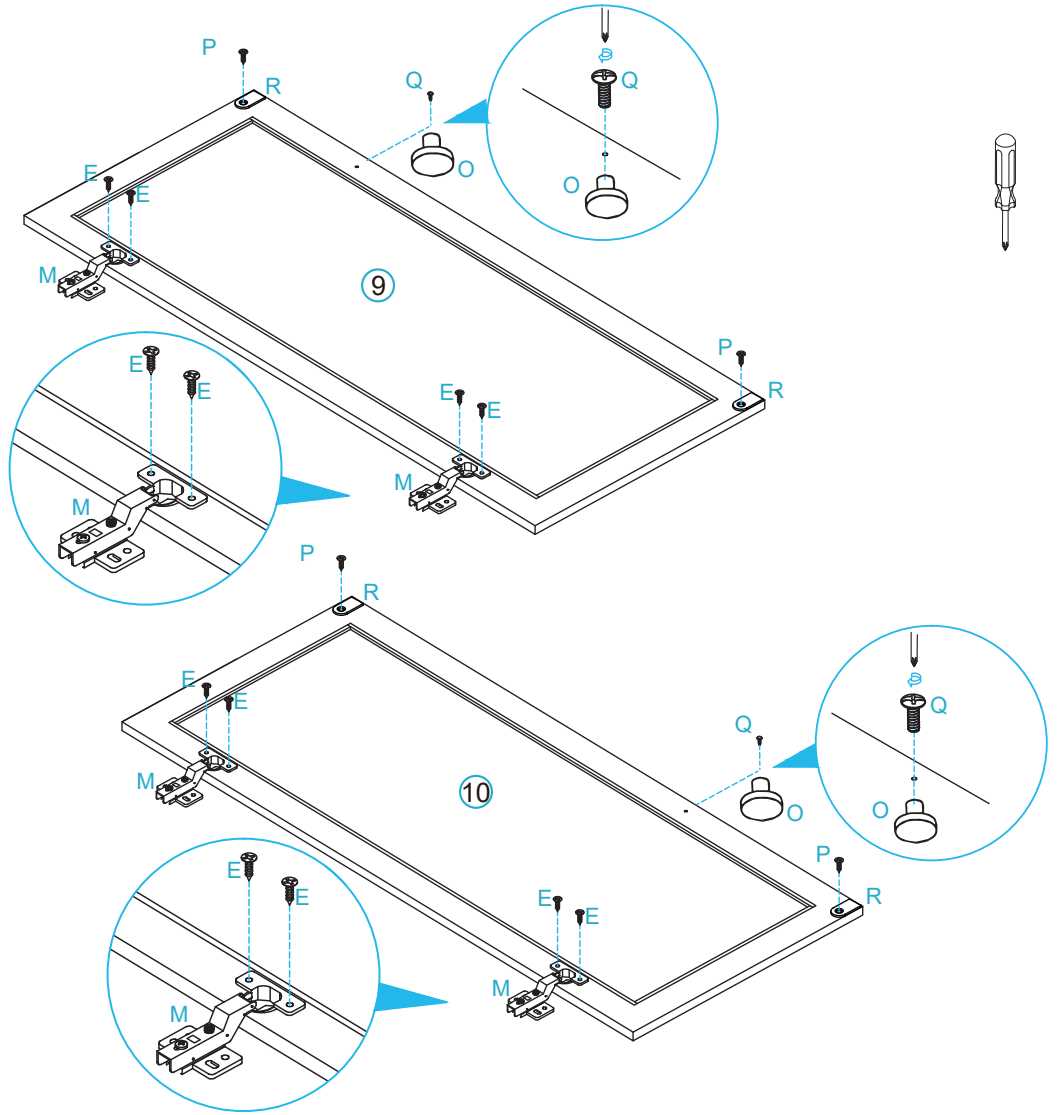
**Kindly note:** This is a very important step that can not be skipped. Please follow step 9 to screw the plastic pieces into the corner of the back panel tightly. If you forget to fix these pieces, it may result in the instability of the whole item.

## Step 10



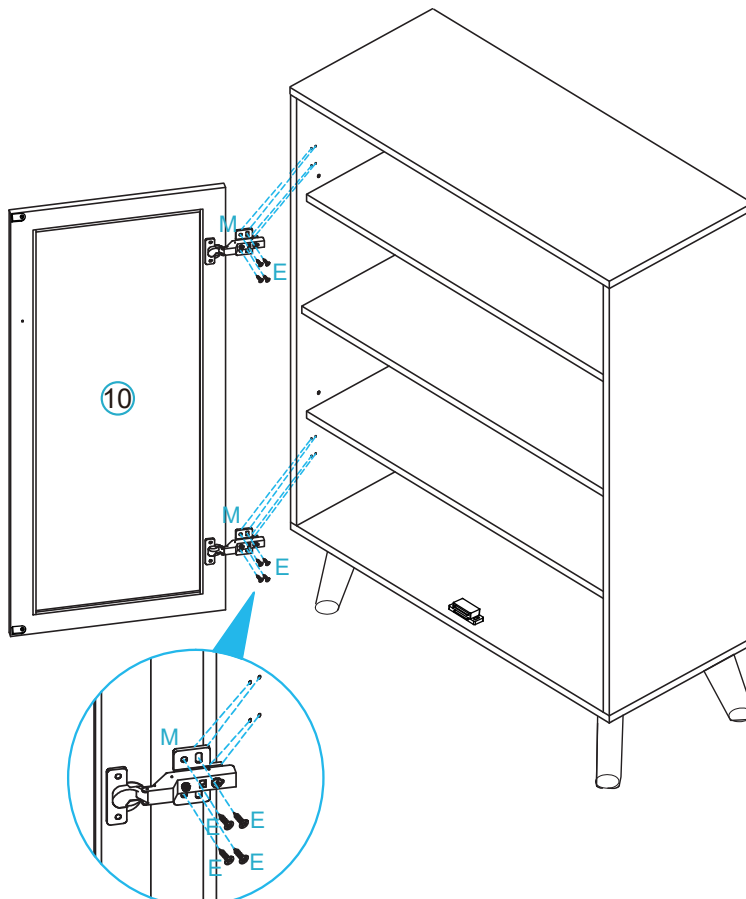
### Step 11

E × 8	M × 4
O × 2	Q × 2
P × 4	R × 2

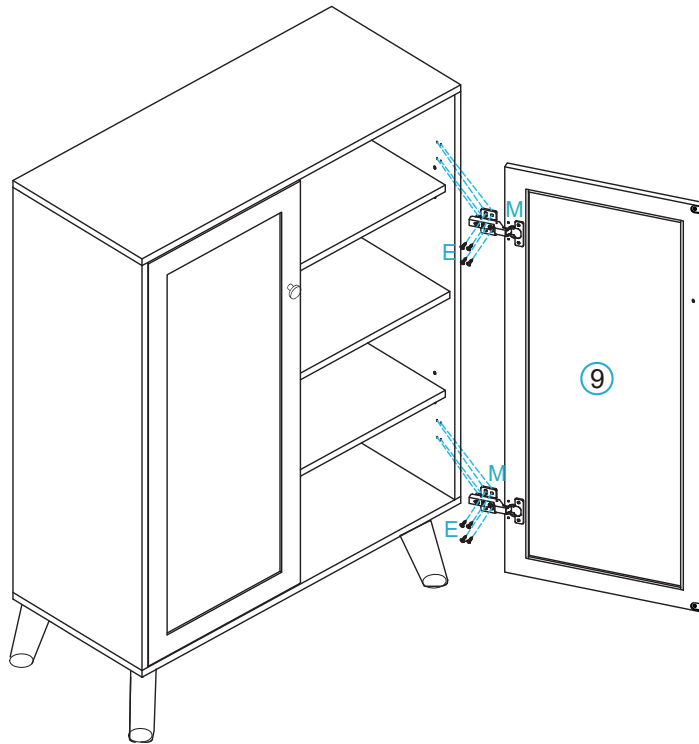
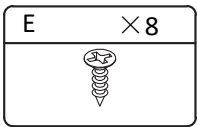


### Step 12

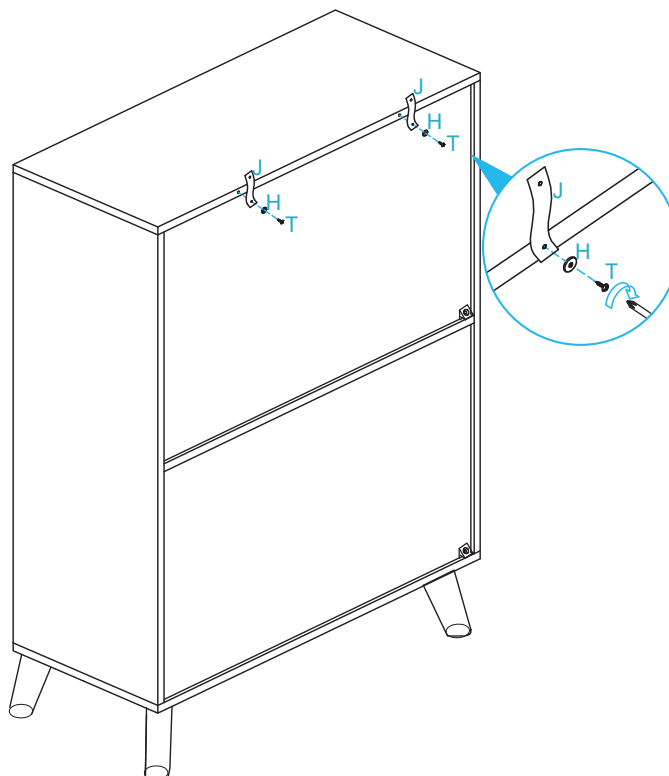
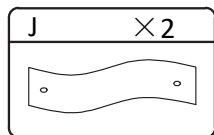
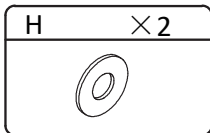
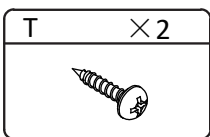
E × 8
-------



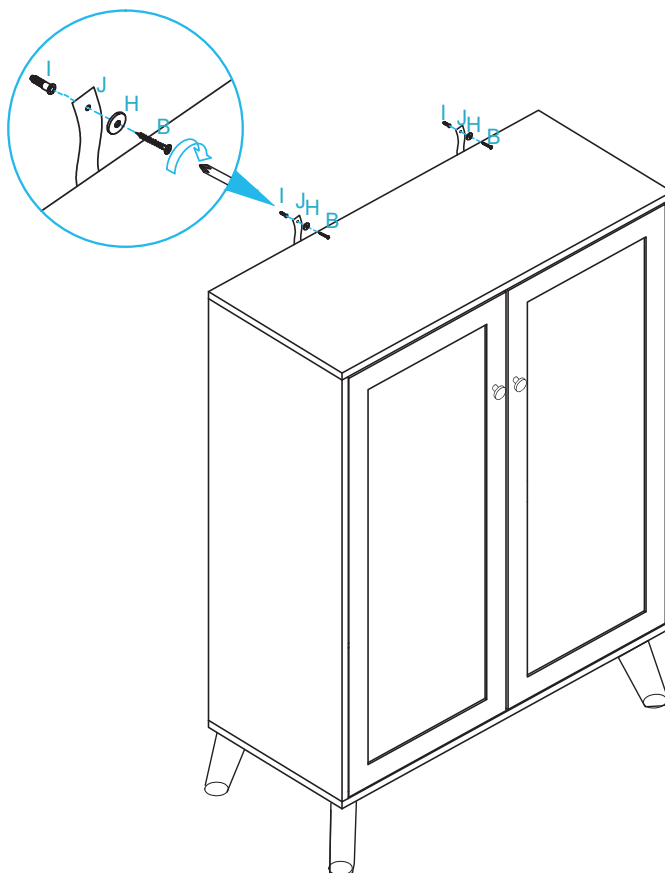
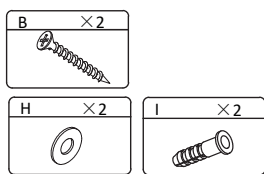
### Step 13



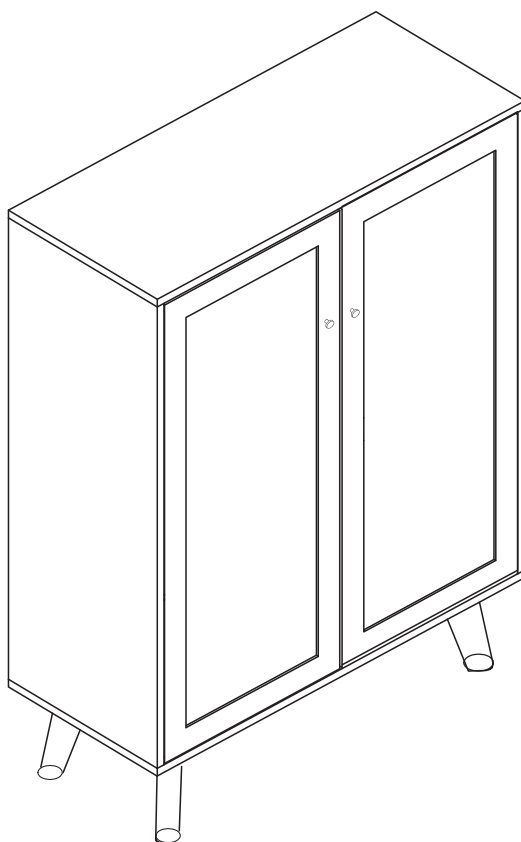
### Step 14



### Step 15



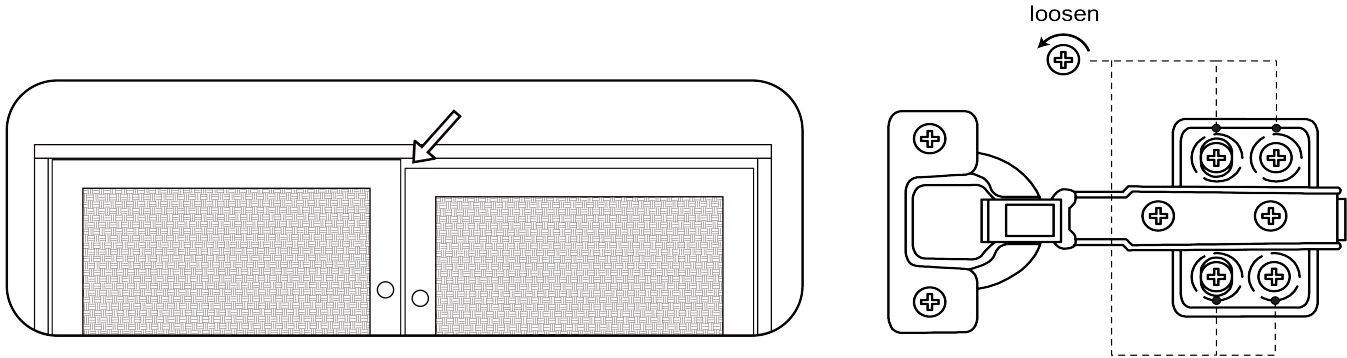
### Step 16



# How to adjust the door if it is uneven/off?

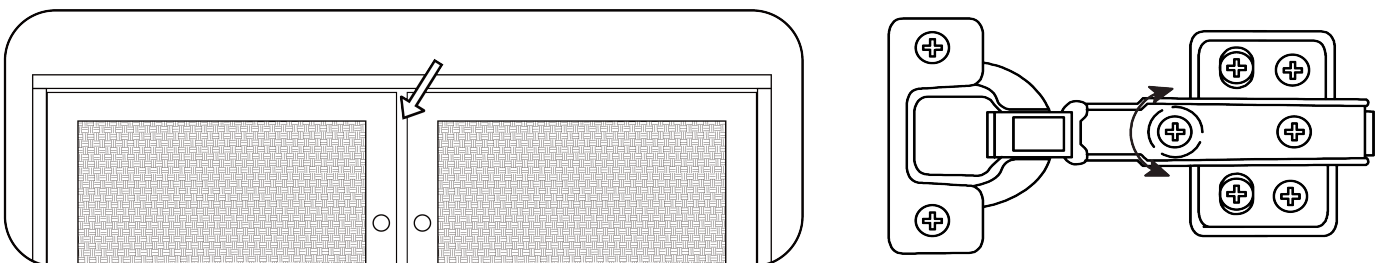
## Tips 1: If the door is too low or too high, how to adjust it?

Find the height screws shown as below. Loosen those four screws of the hinges, then lift up or lower the door to the suitable height, and tighten all screws finally.



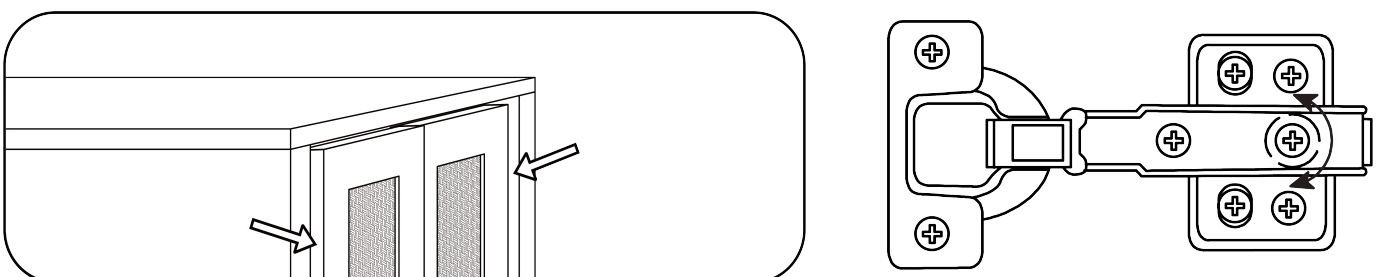
## Tips 2: If the gap between two doors is too large or too narrow, or even the door can not close, how to fix it?

Find the screws shown as below. Take the left door for example. If the gap is too large, loosen the screw towards left until the gap is adjusted well. Contrarily, if the gap is too narrow causing the door can not be closed, tighten the screw towards right to the correct place.



## Tips 3: If the depth of the door is too deep or too shallow, how to adjust it?

Find the screw as shown below. If the depth of the door is too deep, loosen the screw of both hinges towards left on a single door, push the door in and out to the correct place, then tighten the screws.



## WALL FIXING GUIDE

**NOTE:** Supplied wall plugs are only suitable for use in masonry walls.

If you have any doubts about using the correct plug for your wall, please seek professional advice. Failure of the product due to using incorrect fixings is the responsibility of the installer.



### IMPORTANT:

When drilling into walls, always check for hidden wires or pipes, etc.



## Tips & Tricks

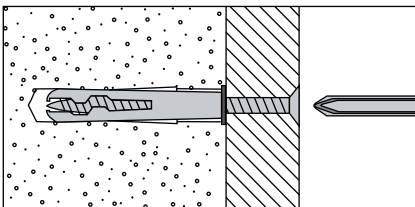
Make sure that the hardware used is suitable for supporting your unit.

Please consult a qualified trades person if unsure.

- If you are unsure, please select a larger screw and wall plug.
- Ensure that you use the recommended drill bit to match the wall plug and hole size.
- Take extra care when drilling high walls, ceiling and ceramic tiles. Ensure wall plugs are inserted beyond the thickness of the ceramic tiles to avoid splitting or cracking.
- Ensure that wall plugs are well fitted and are a tight fit in the drilled hole.

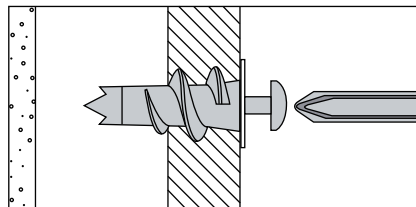
## Types of Walls

Use one of the following types of wall plug (not included) if your walls are made of brick, breeze block, concrete, stone or wood. Screws may be able to be fixed directly to solid wood walls as they will provide a secure anchor point.



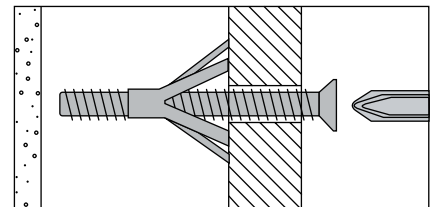
**1. General Purpose Wall Plug**

Generally, aerated blocks should not be used to support heavy loads, use a specialist fitting in this case. For light loads, general purpose wall plugs can be used.



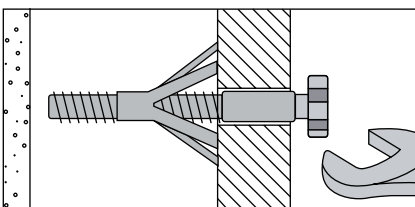
**2. Plasterboard Wall Plug**

For use when attaching light loads onto plasterboard partitions.



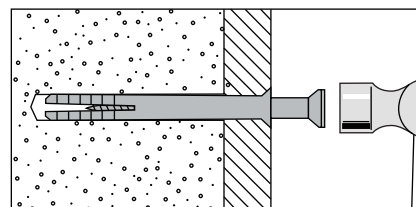
**3. Cavity Fixing Wall Plug**

For use with plasterboard partitions or hollow wooden doors.



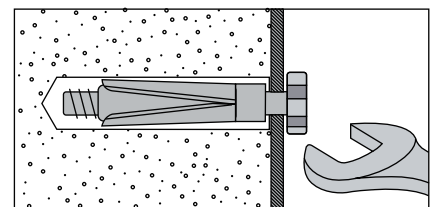
**4. Cavity Fixing Heavy Duty Wall Plug**

For use when fitting or supporting heavy loads such as shelving and wall cabinets.



**5. Hammer Fixing Wall Plug**

For use with concrete block or brick walls, or walls stuck with plasterboard. The hammer fixing allows it to be fixed to the wall rather than the plasterboard. Always check the fixing is secure to the retaining wall.



**6. Shield Anchor Wall Plug Heavy Loads**

For use with concrete or brick walls, or for use with heavier loads such as TV & HiFi speakers and satellite dishes, etc.