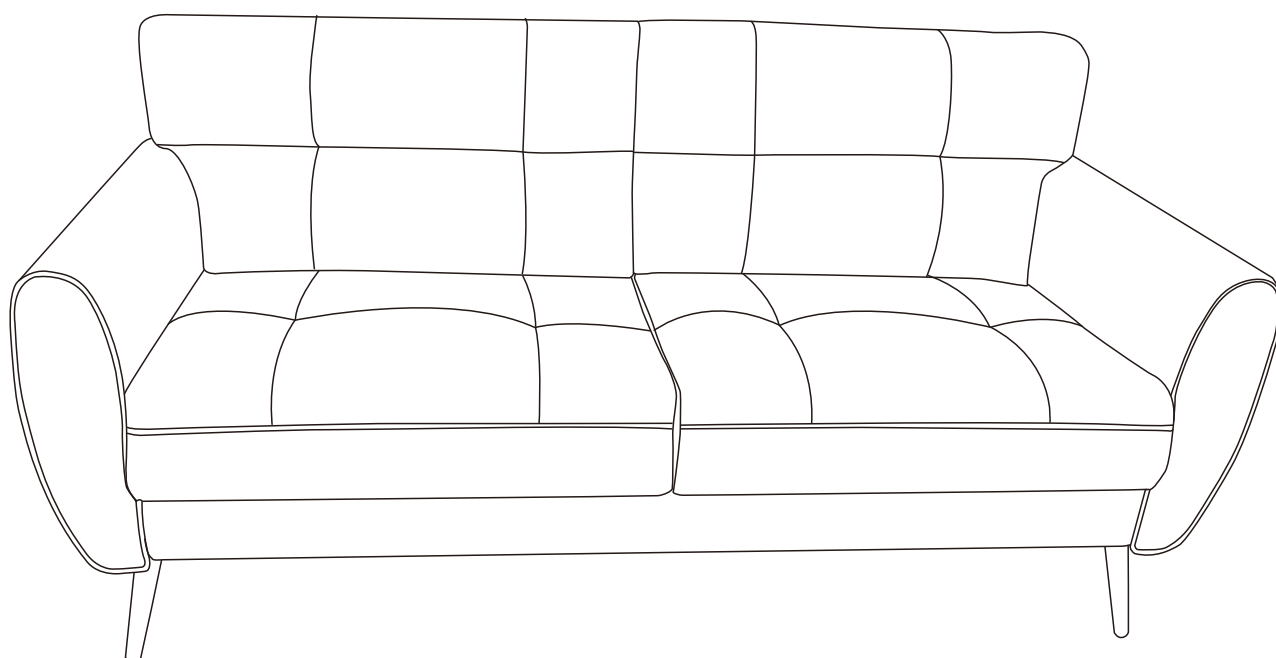
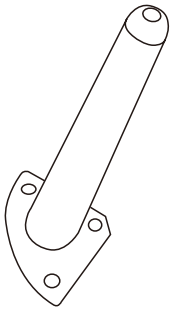


# INSTRUCTION MANUAL



1

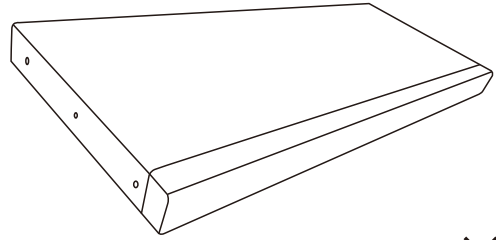
METAL FEET



×4

2

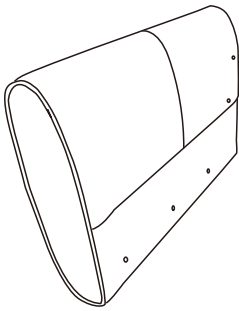
SEAT FRAME



×1

3

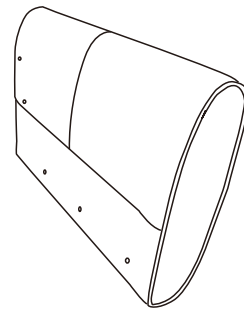
RIGHT ARMREST



×1

4

LEFT ARMREST



×1

5

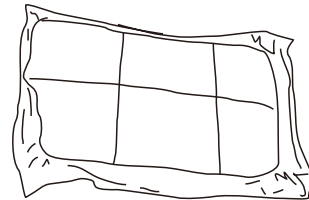
REAR BUMPER



×1

6

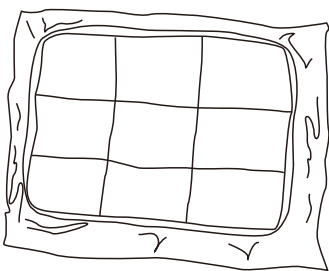
BACK CUSHION



×2

7

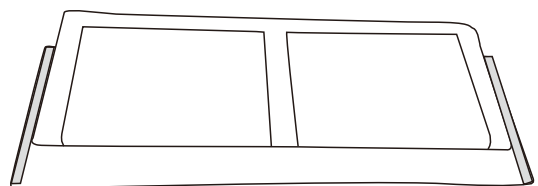
SEAT CUSHION




×2

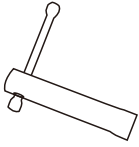
8


BACKREST FRAME





×1


**A** ANGLE IRON  
  
×4

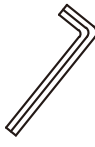
**B** SOCKET  
  
M8 ×1

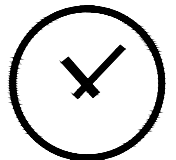
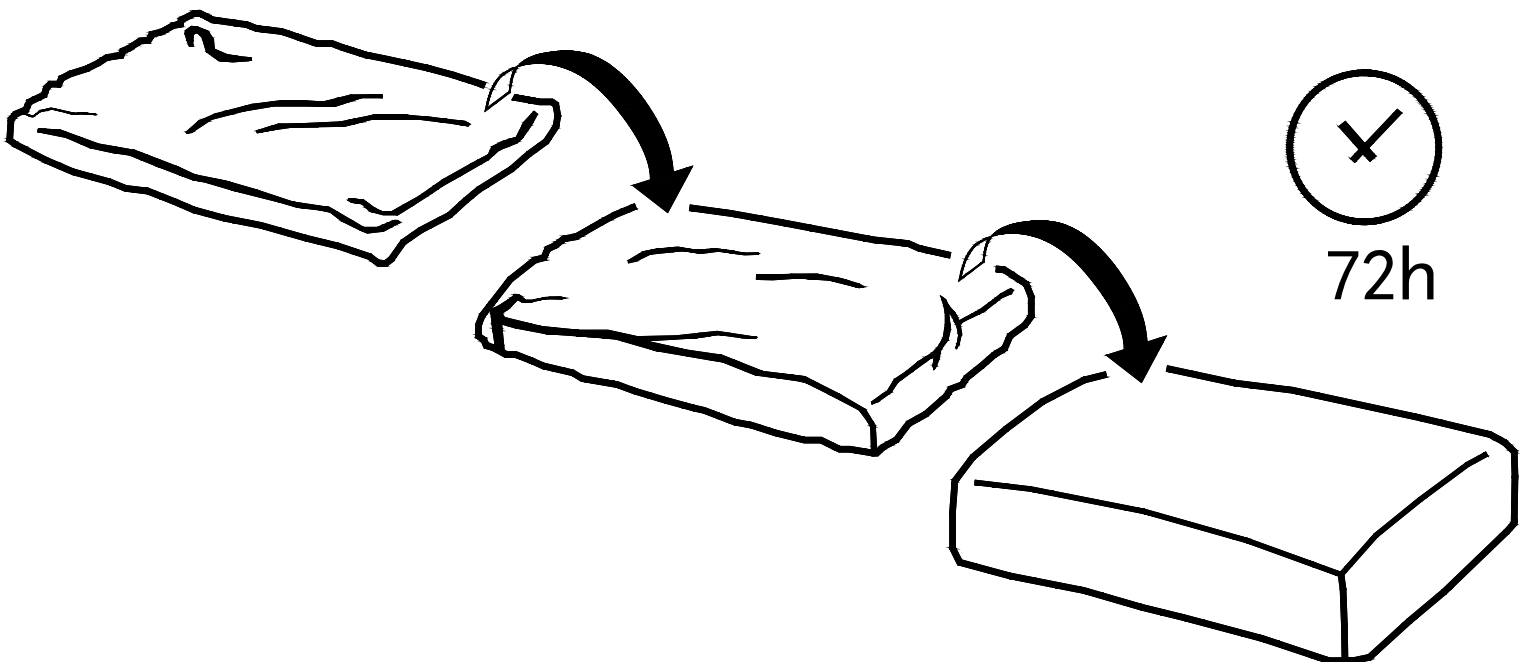
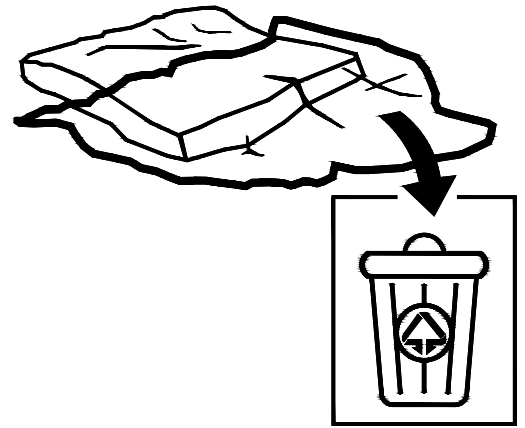
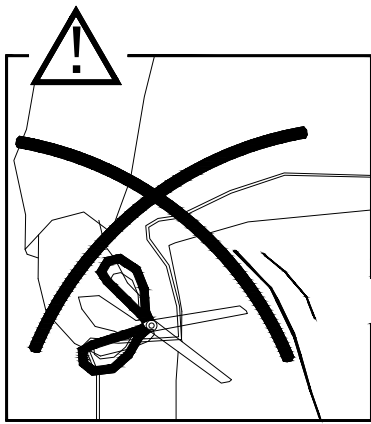
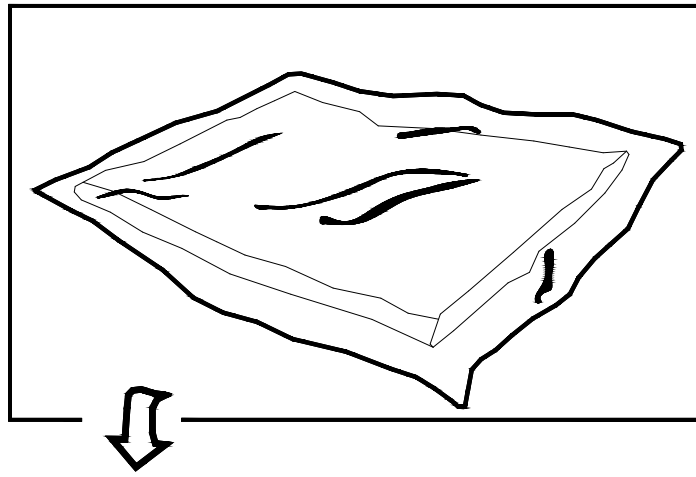
**C** NUT  
  
M8 ×6

**D** HEXAGON SOCKET SCREW  
  
M6 × 20mm ×20

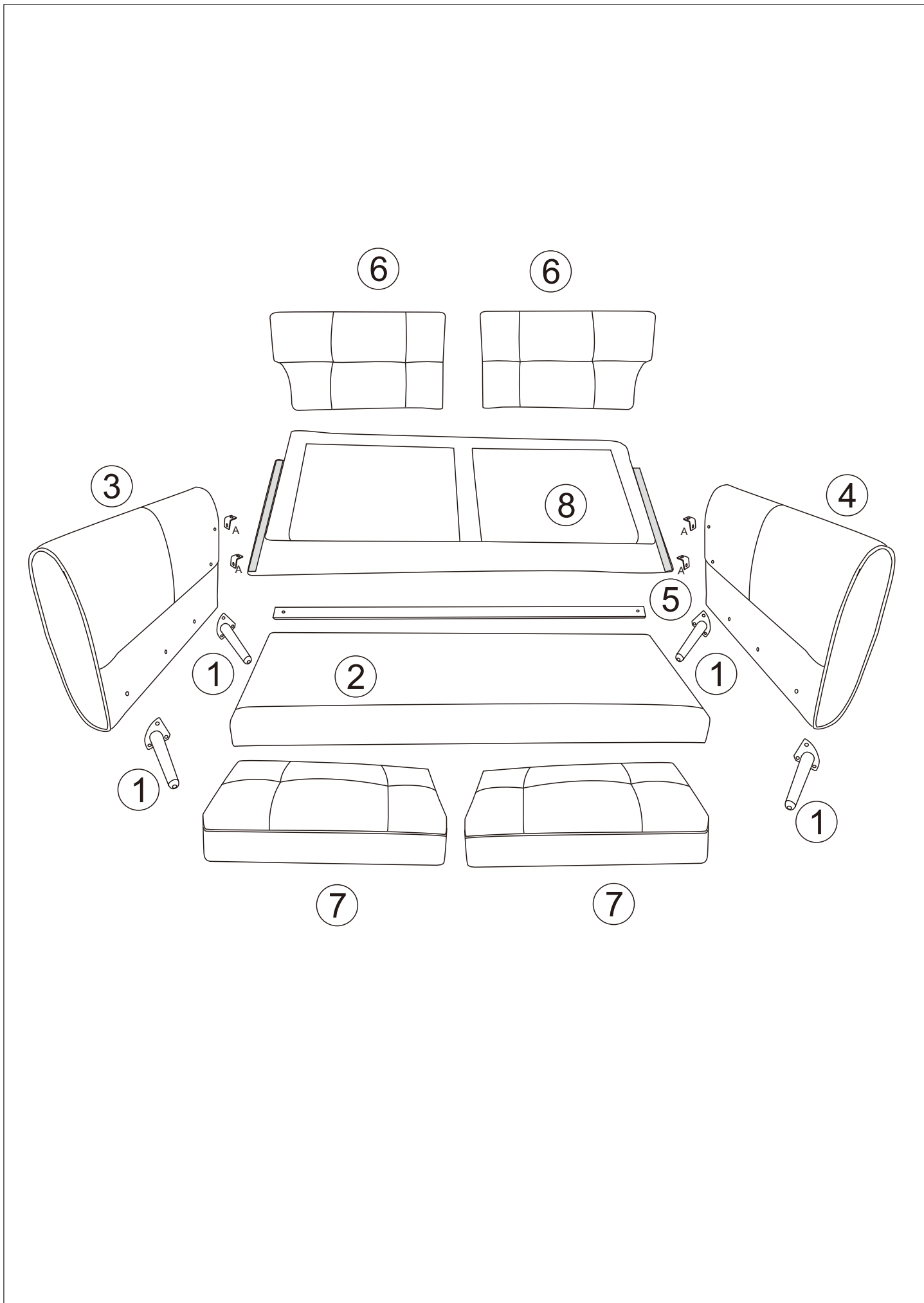
**E** DOUBLE-ENDED SCREW  
  
M8 ×6

**F** WASHER  
  
M8 ×6

**G** ALLEN WRENCH  
  
M5 ×1



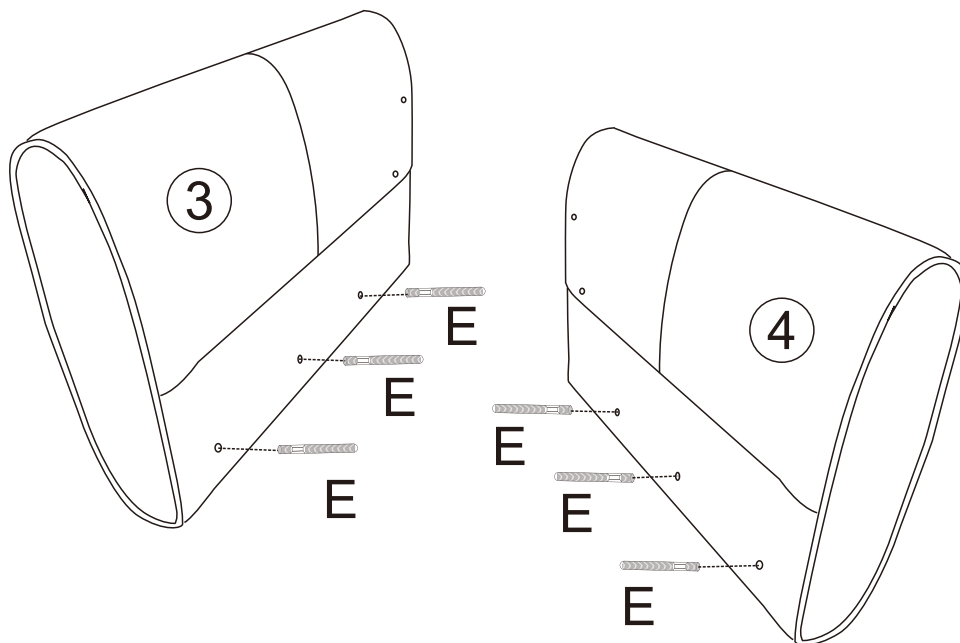
72h



1

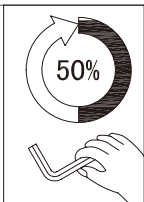


All screws in this step need to be 100% tightened.

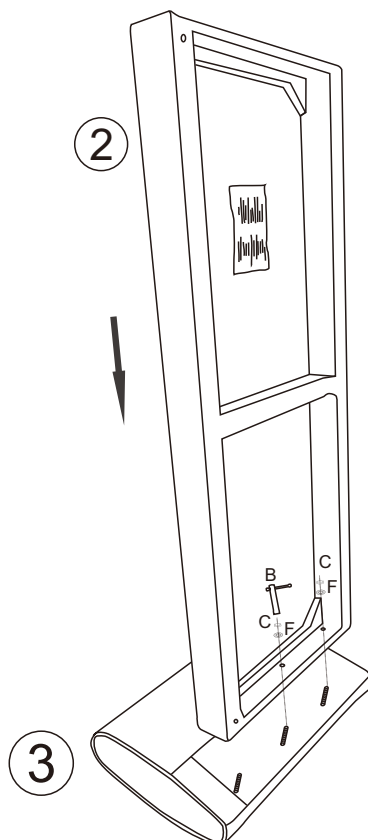


③	×1
④	×1
E	×6

2

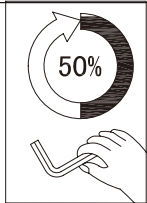


All screws in this step only position, not tighten.

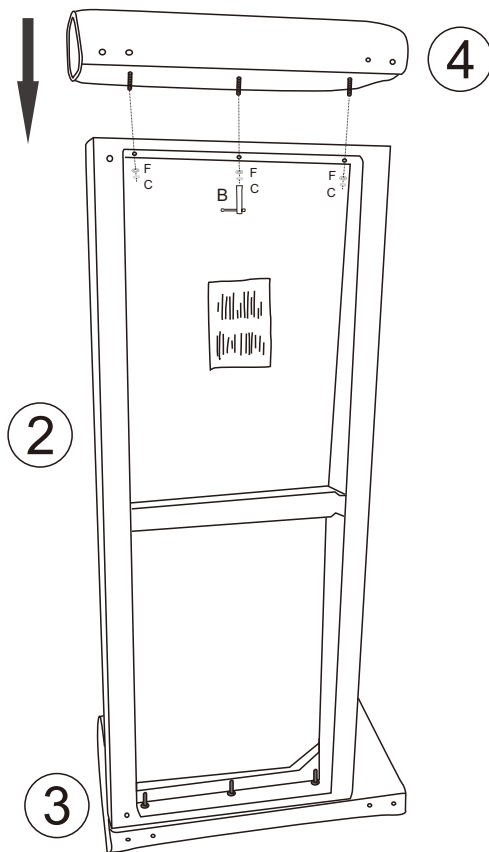


②	×1
③	×1
C	×3
F	×3
B	×1

3

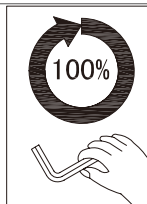


All screws in this step only position, not tighten.

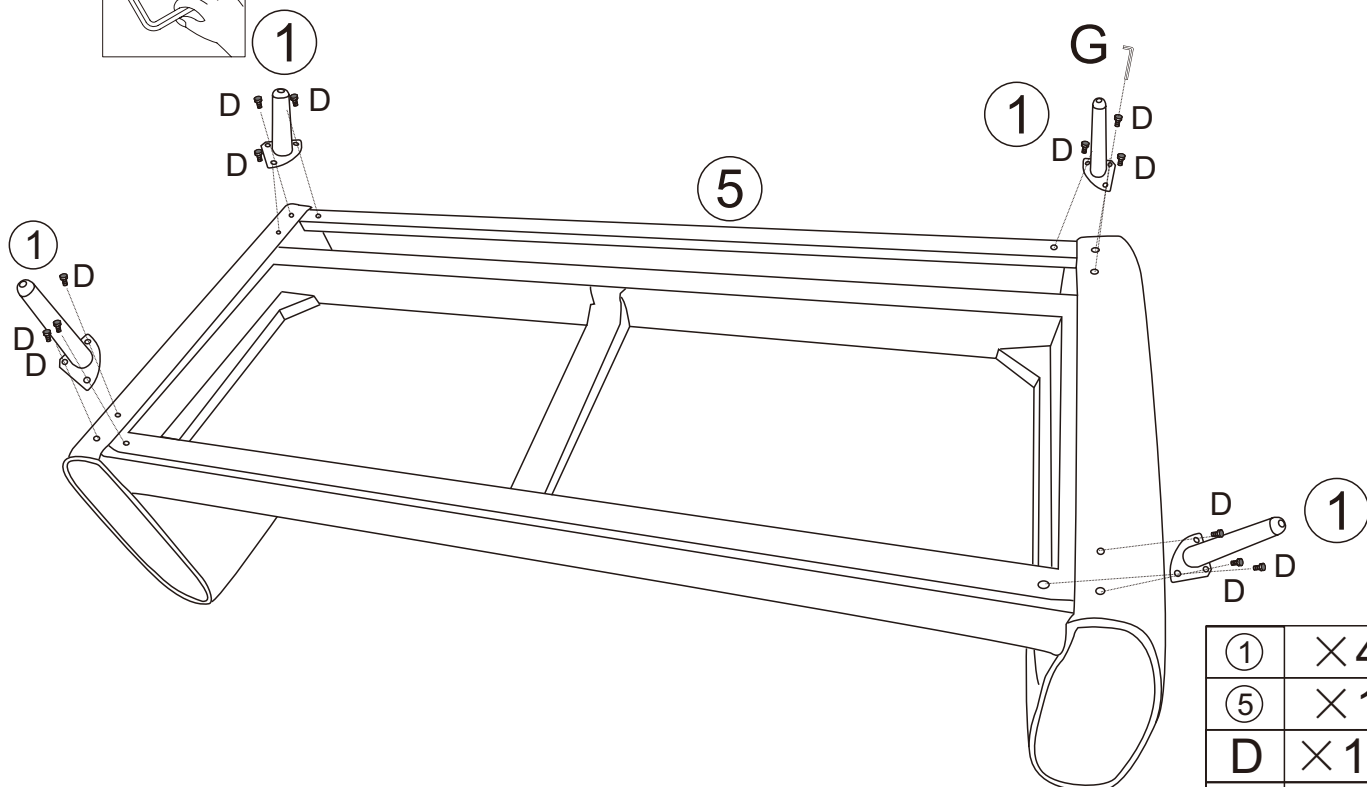


④	×1
②	×1
③	×1
C	×3
F	×3
B	×1

4

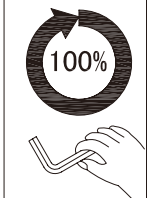


All screws in this step need to be 100% tightened.

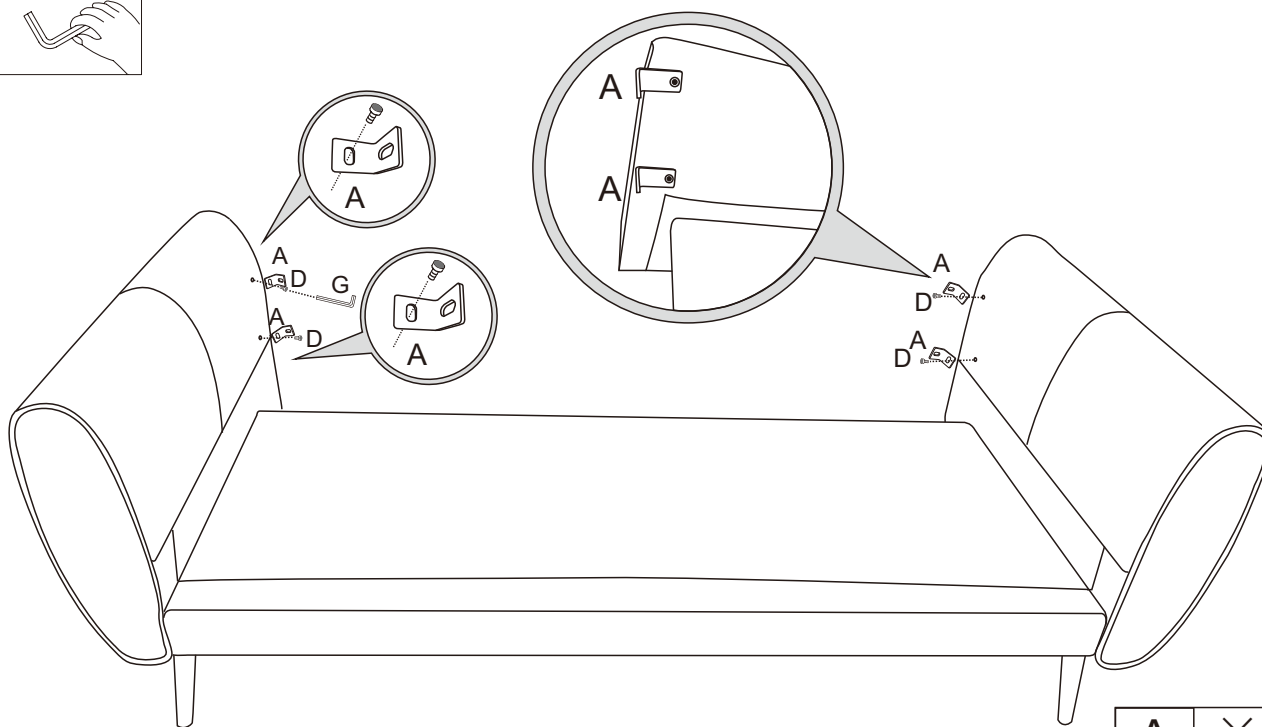


①	×4
⑤	×1
D	×12
G	×1

5



All screws in this step need to be 100% tightened.

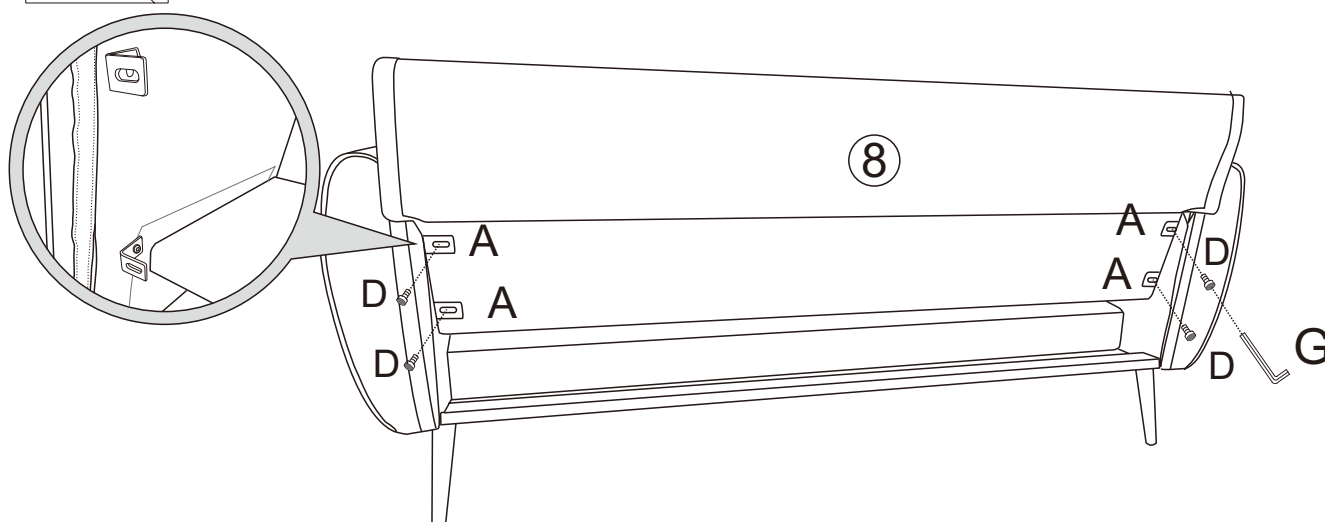


A	×4
G	×1
D	×4

6



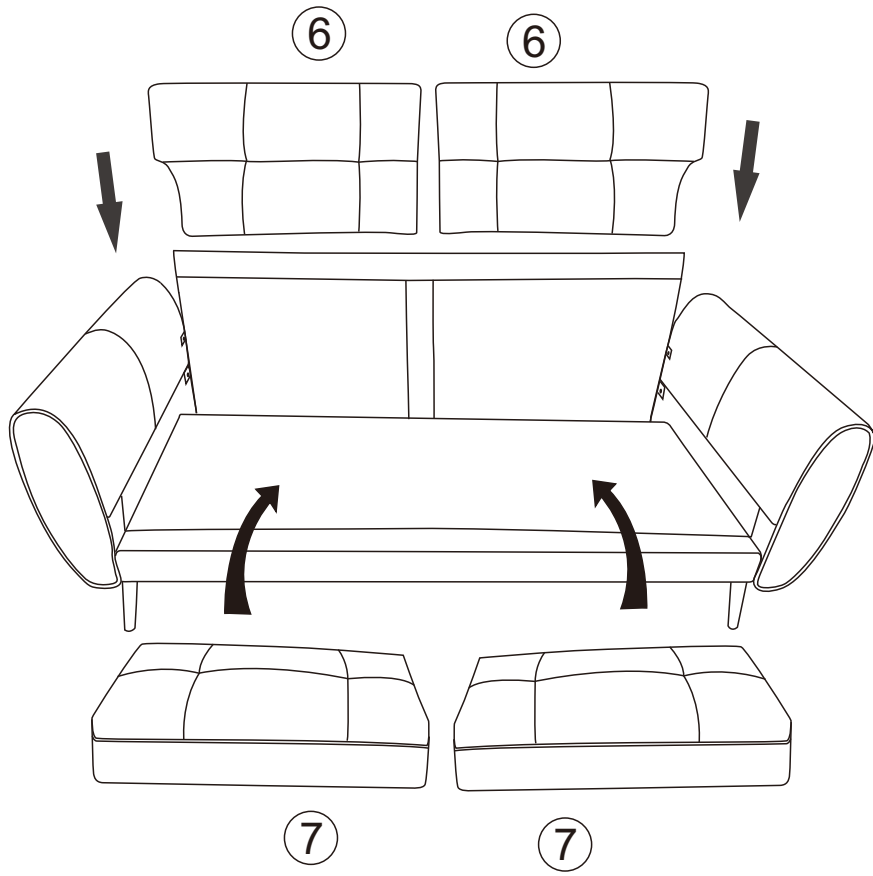
All screws in this step need to be 100% tightened.



**ATTENTION:**  
The angle of the iron plate needs to be adjusted when installing the backrest and tighten all screws in this step.

⑧	×1
A	×4
G	×1
D	×4

7



8

