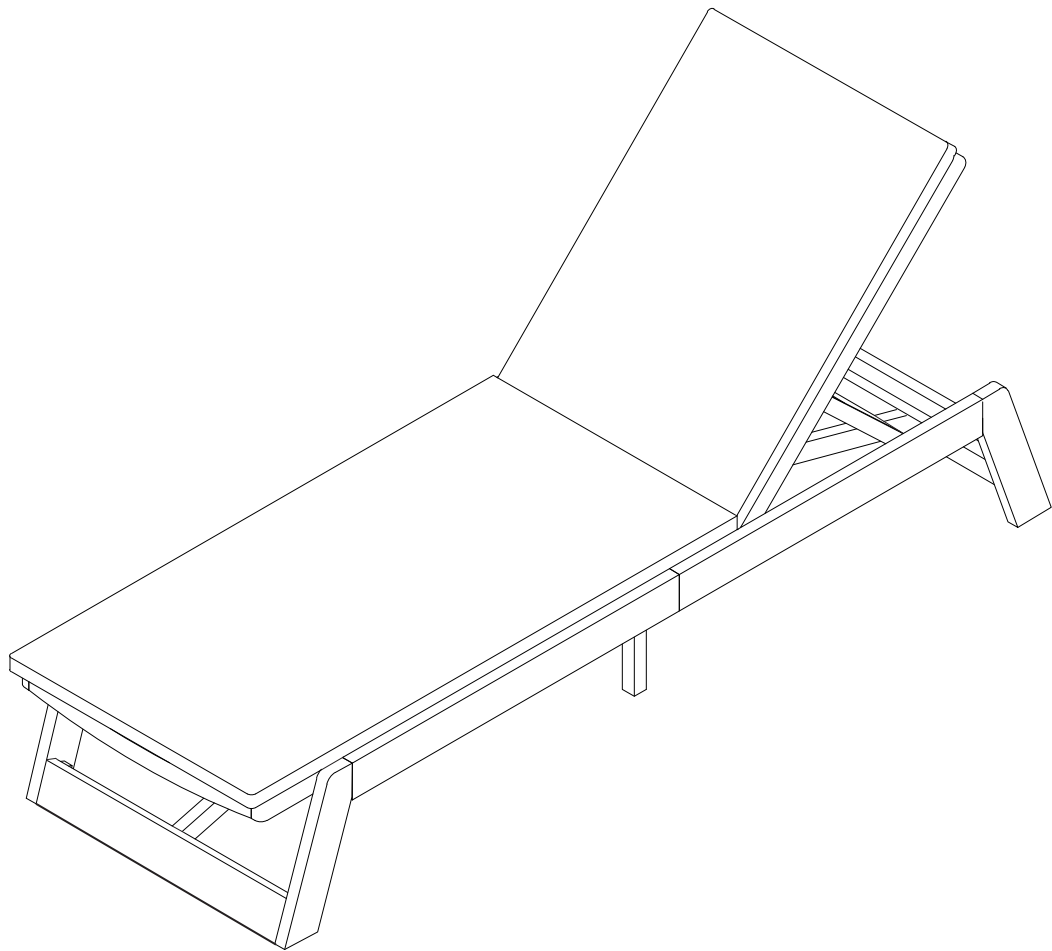


Assembly Instructions

CAUTION: You must read this before you proceed.

LOUNGER

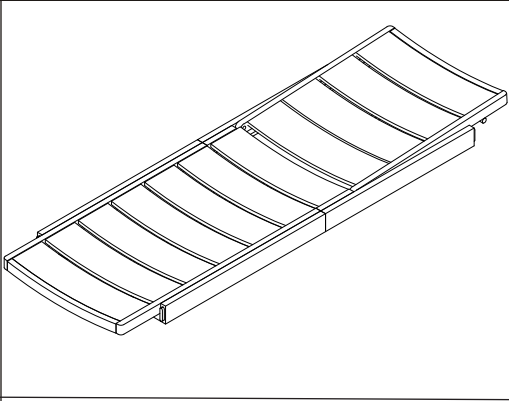
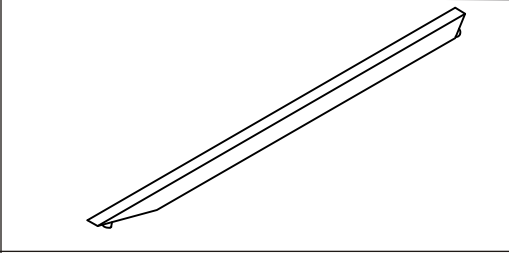
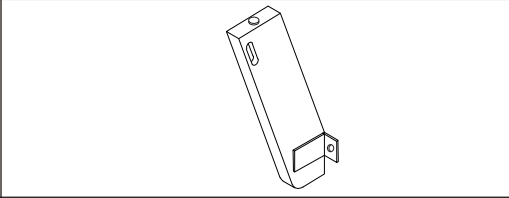
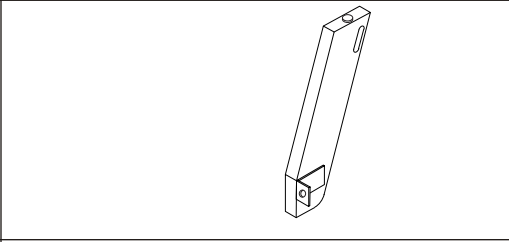
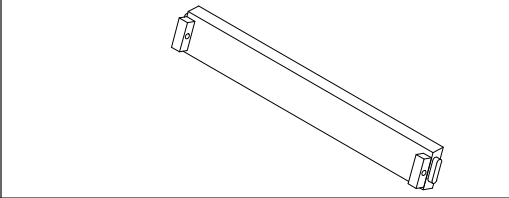
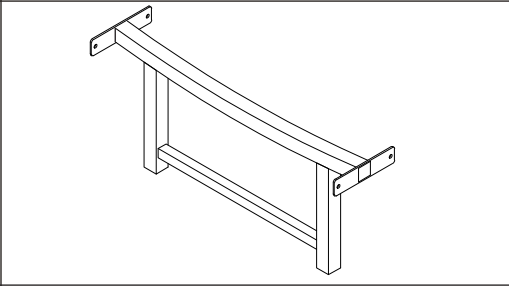
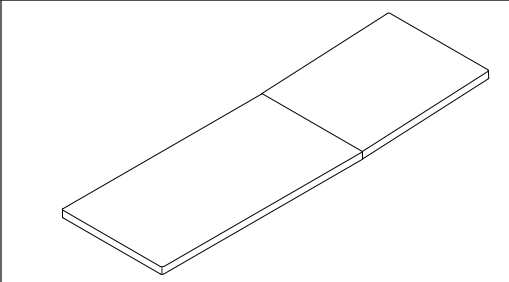


Caution: This Lounger is NOT a TOY.

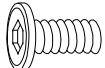
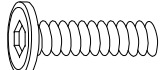


Keep your child/children at bay during the assembly process.

Whenever lifting the Lounger and to prevent damage to the Lounger two adults are needed to execute this action

Parts List

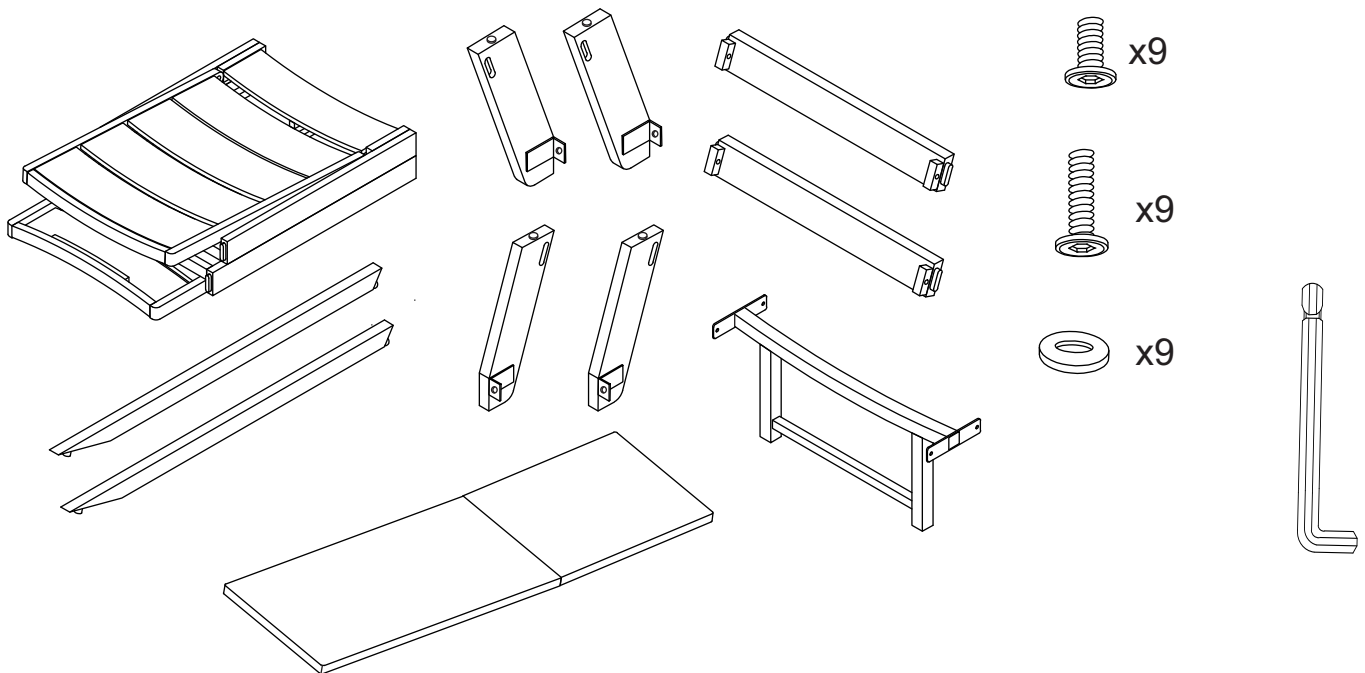
Label	Picture	Description	Qty
A	 A perspective view of a rectangular seat panel with a curved top edge and several curved ribs across its surface.	Foldable Seat Panel	1
B	 A long, thin, slightly curved support bar with a pointed end.	Seat Panel Support Bar	2
C	 A short, rectangular leg with a small notch at the bottom.	First Leg	2
D	 A short, rectangular leg with a small notch at the bottom, similar to part C but with a different notch shape.	Second Leg	2
E	 A long, thin support bar with a small notch at one end.	Leg Support Bar	2
F	 A curved support bar with two vertical legs attached to its ends.	Middle Leg	1
G	 A rectangular cushion with a central fold line.	Foldable Cushion	1

Hardware

No.	Picture	Description	Qty
①		Bolt (M6 x 20mm)	9
②		Bolt (M6 x 35mm)	9
③		Washer (M6/16x 1mm)	9
④		Allen Key	1

Assembly Preparation

Before Beginning Assembly:



Read instructions, cover to cover.



Have 2 adults on hand for assembly.



Do not assemble on flooring or carpet.



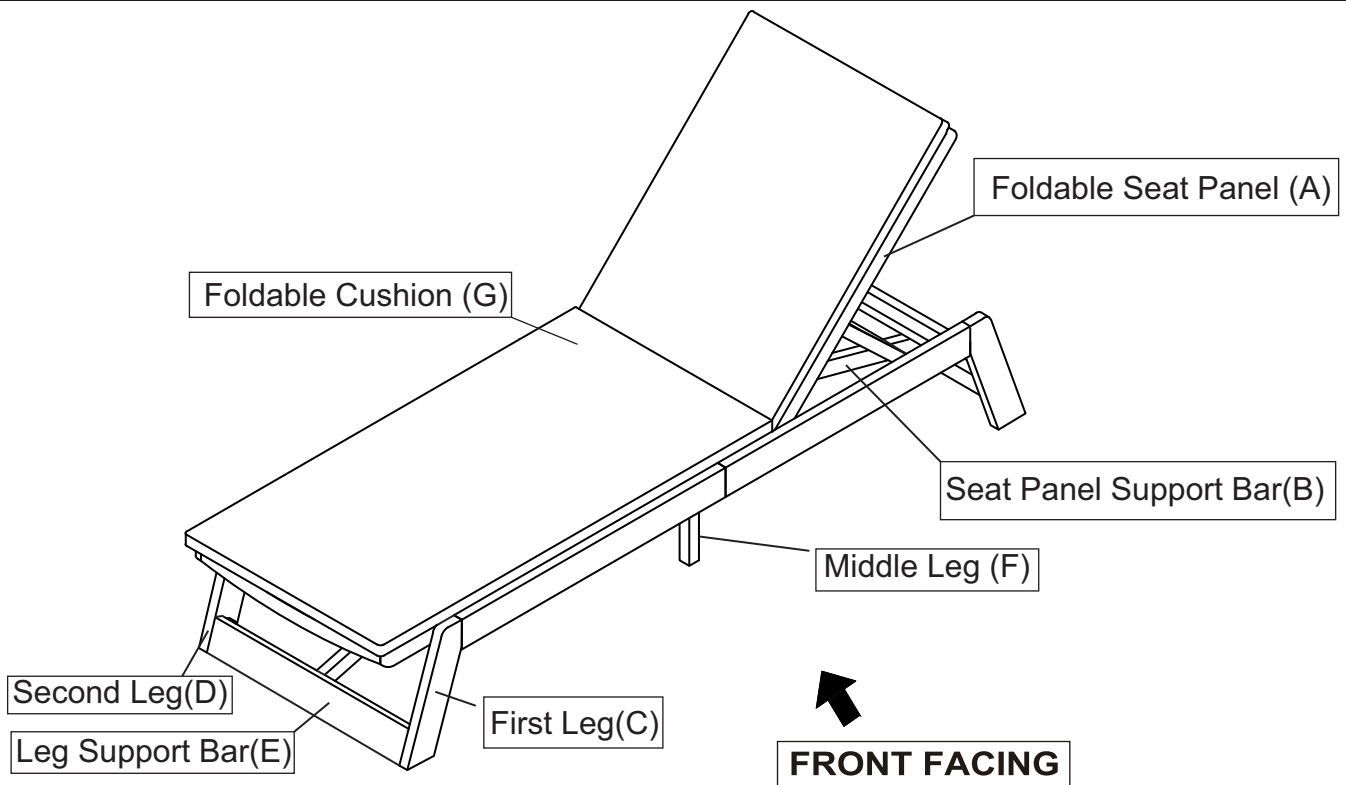
Assemble on a clean non-marring surface (packing foam).



Save all packaging until finished.

Assembly Steps

OVERVIEW

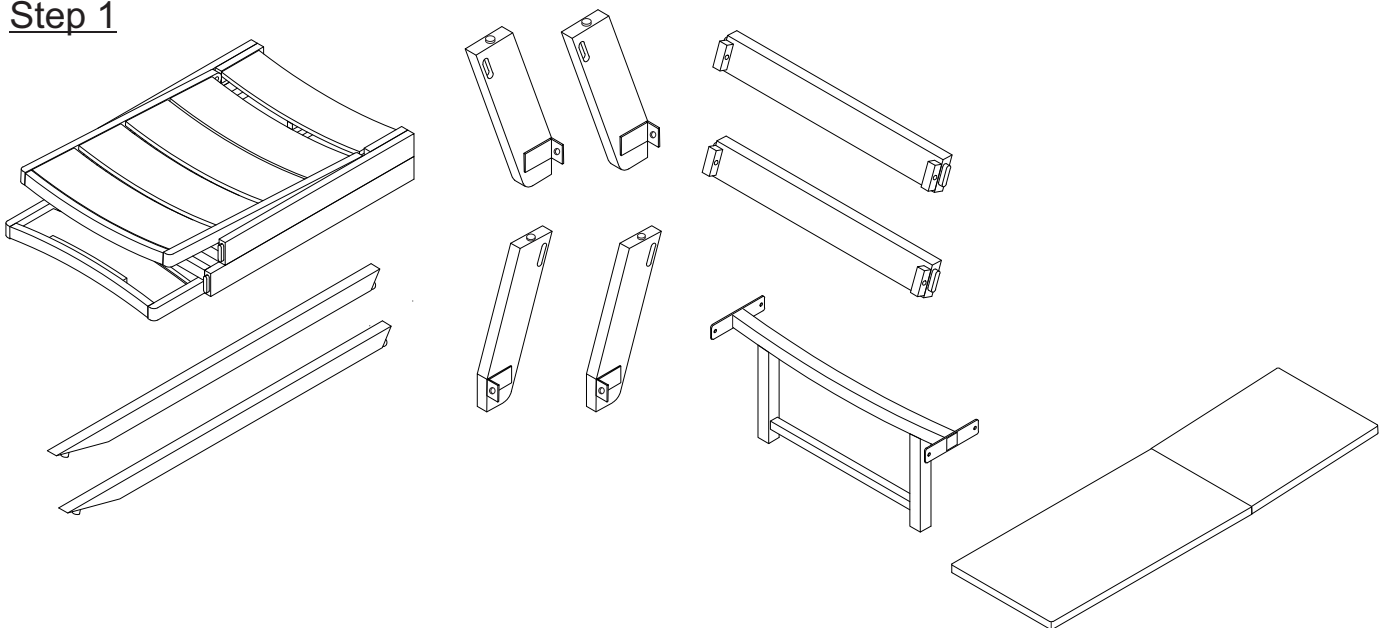


This Lounger has multiple parts and may require up to 30 minutes to assemble. To give you an overview of the Lounger parts, the above picture is to help you put the various parts into perspective. Please read through the instructions below to familiarise yourself with the parts and steps before assembly.

Assembly Preparation

Before Beginning Assembly

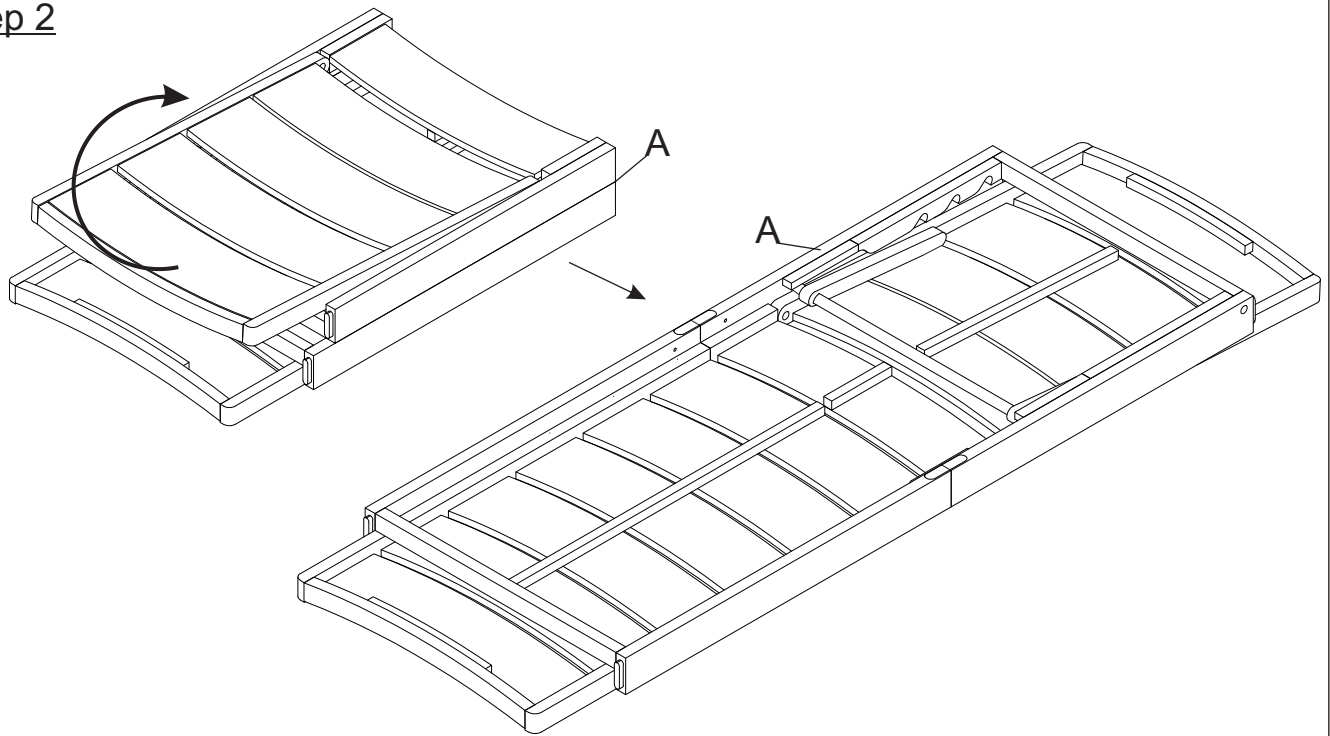
Step 1



Unpack and place all parts on clean, non-marring surface.

Assembly Steps

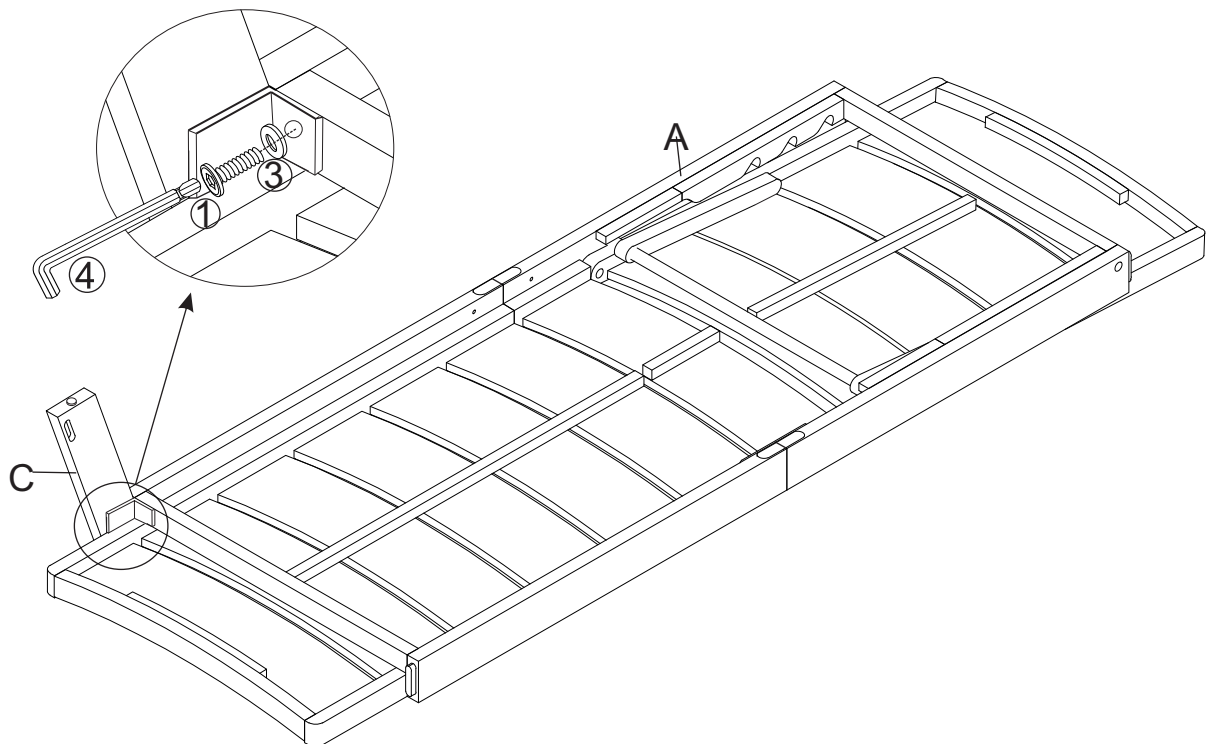
Step 2



Unfold the Foldable Seat Panel(A) as indicated by the arrows.

Caution: Be careful when opening the Foldable Seat Panel(A) to avoid fingers getting trapped or pinched.

Step 3

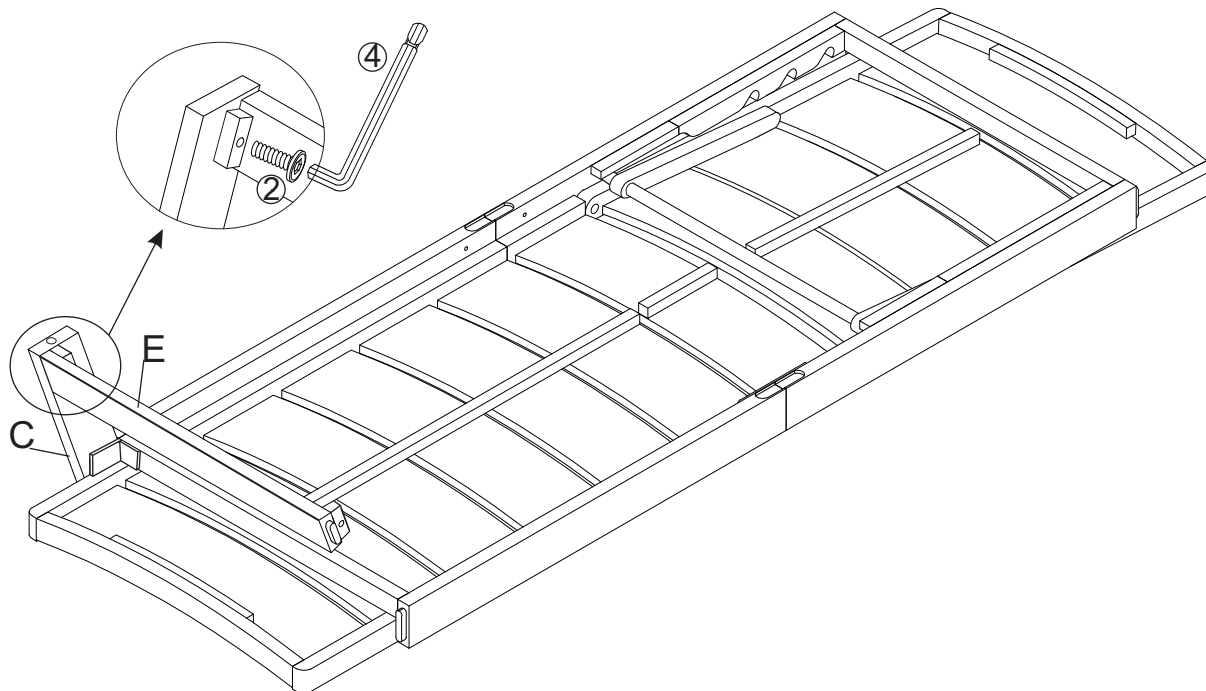


Attach the First Leg© to the Foldable Seat Panel(A) using Bolt(①) and Washer(③) with Allen Key(④) as shown in the picture.

Do not fully tighten the Bolt.

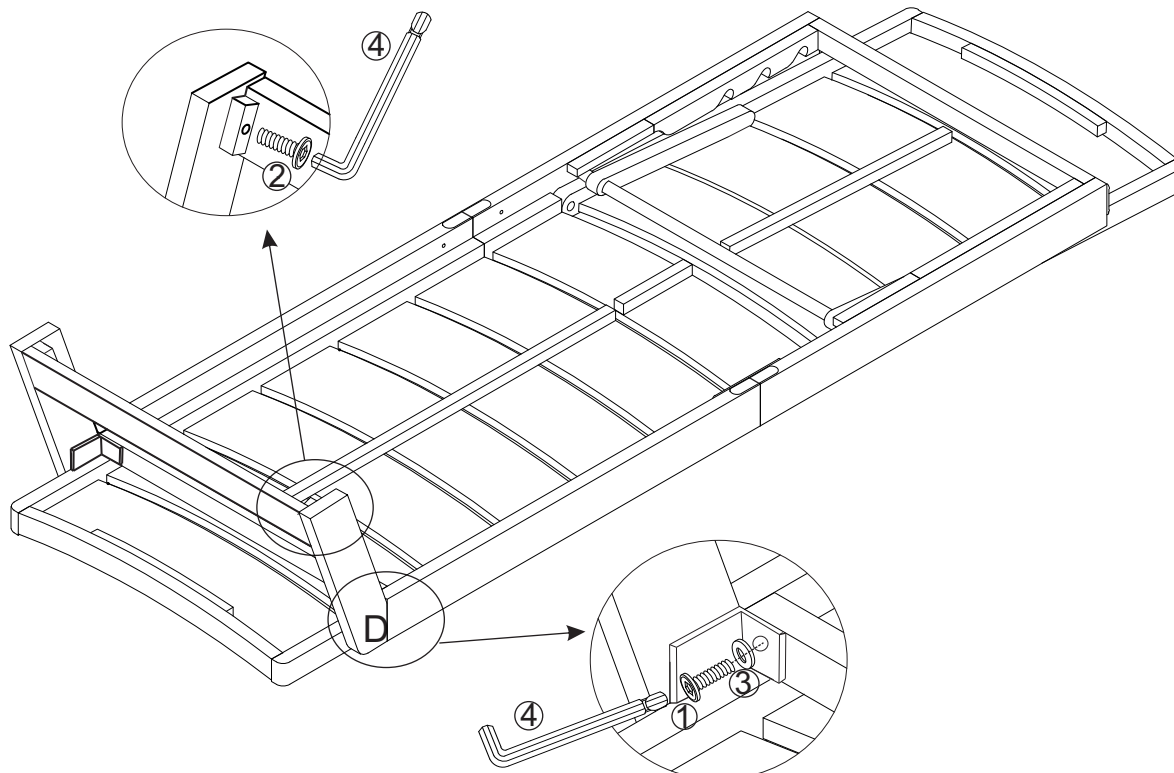
Assembly Steps

Step 4



Attach the Leg Support Bar(E) to First Leg(C) using Bolt(②) with Allen Key(④) as shown in the picture.
Do not fully tighten the Bolt.

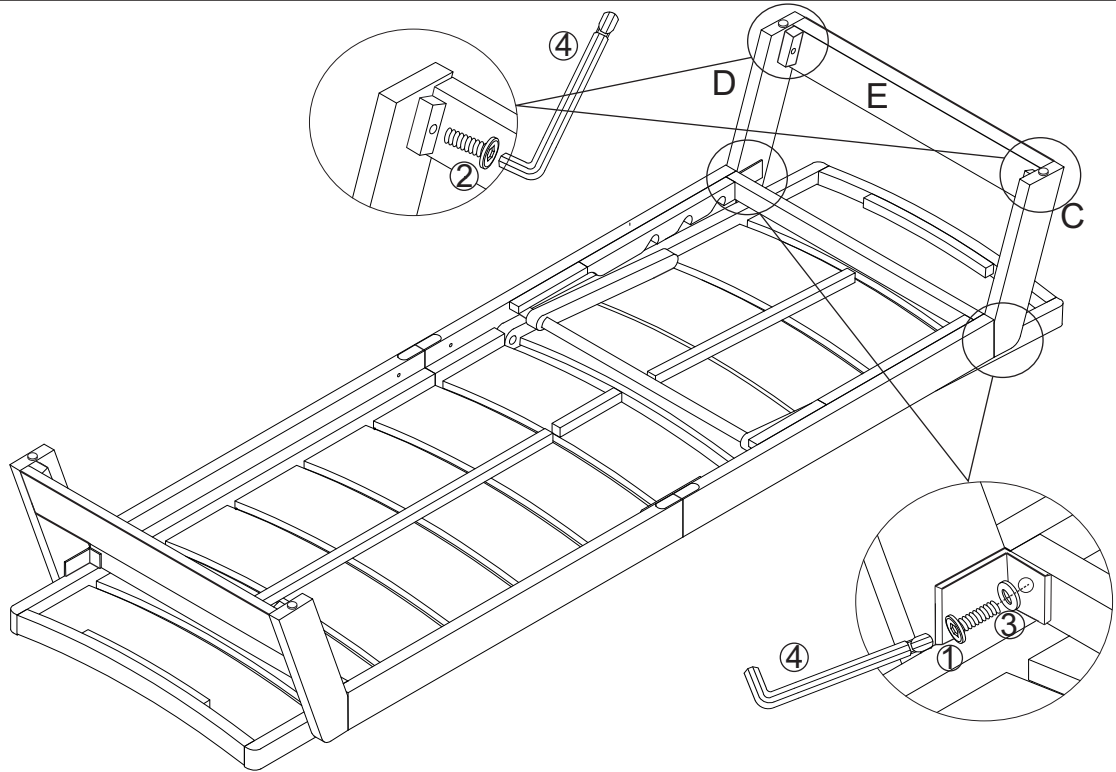
Step 5



Repeat the same processes in **Step 3** and **Step 4** to attach Second Leg(D).
Do not fully tighten the Bolts.

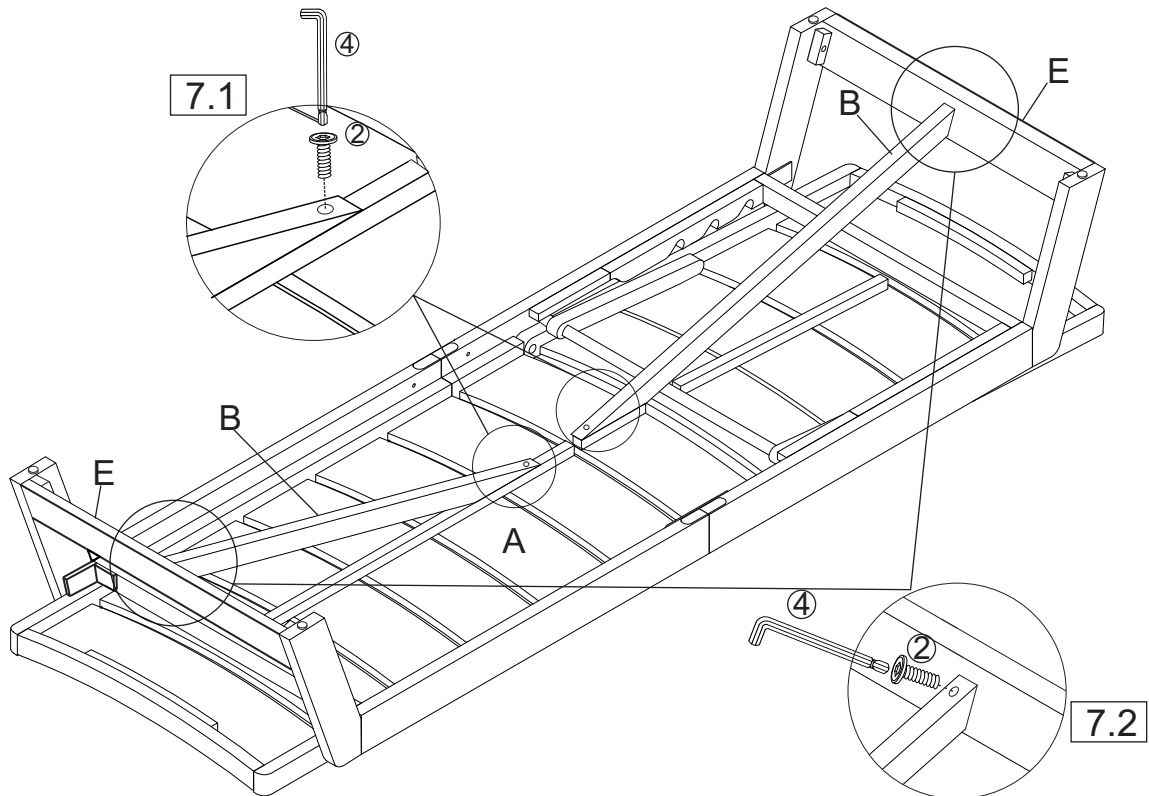
Assembly Steps

Step 6



Repeat the same processes in **Step 3** and **Step 4** to attach First Leg (C), Second Leg(D) and Leg Support Bar(E).
Do not fully tighten the Bolts.

Step 7



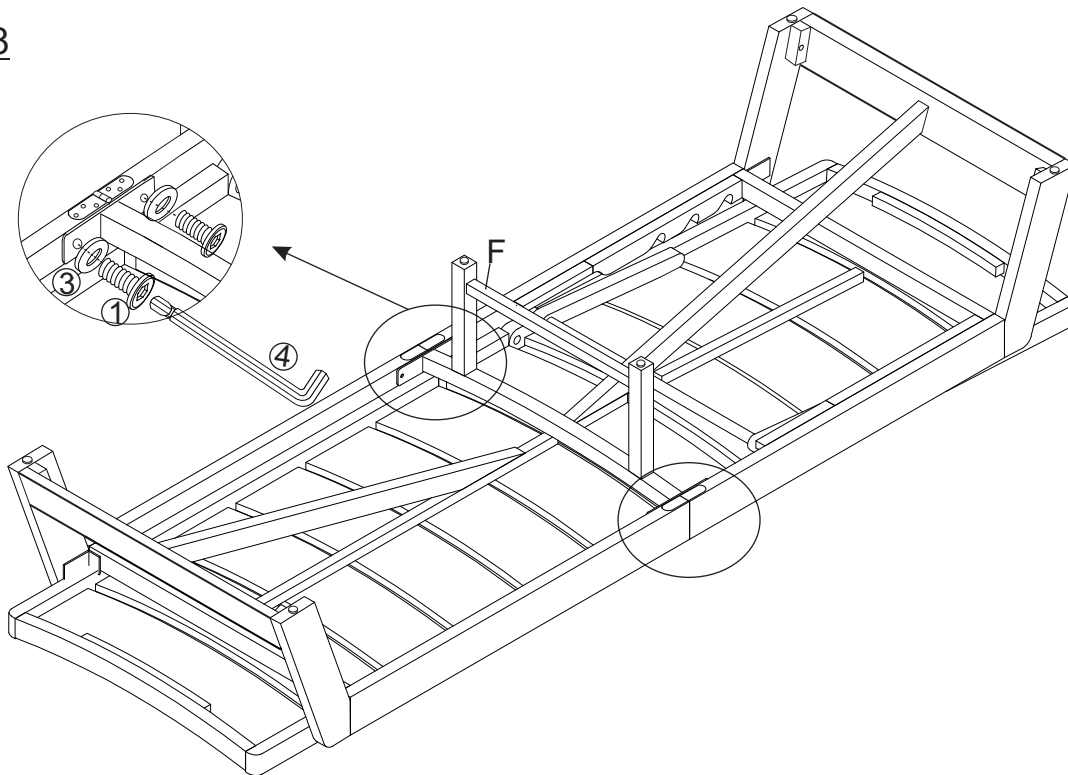
7.1) Attach the Seat Panel Support Bars(B) to Foldable Seat Panel(A) using Bolts(2) with Allen Key(4).

7.2) Attach the Seat Panel Support Bars(B) to Leg Support Bars(E) using Bolts(2) with Allen Key(4) as shown in the picture.

Do not fully tighten the Bolts.

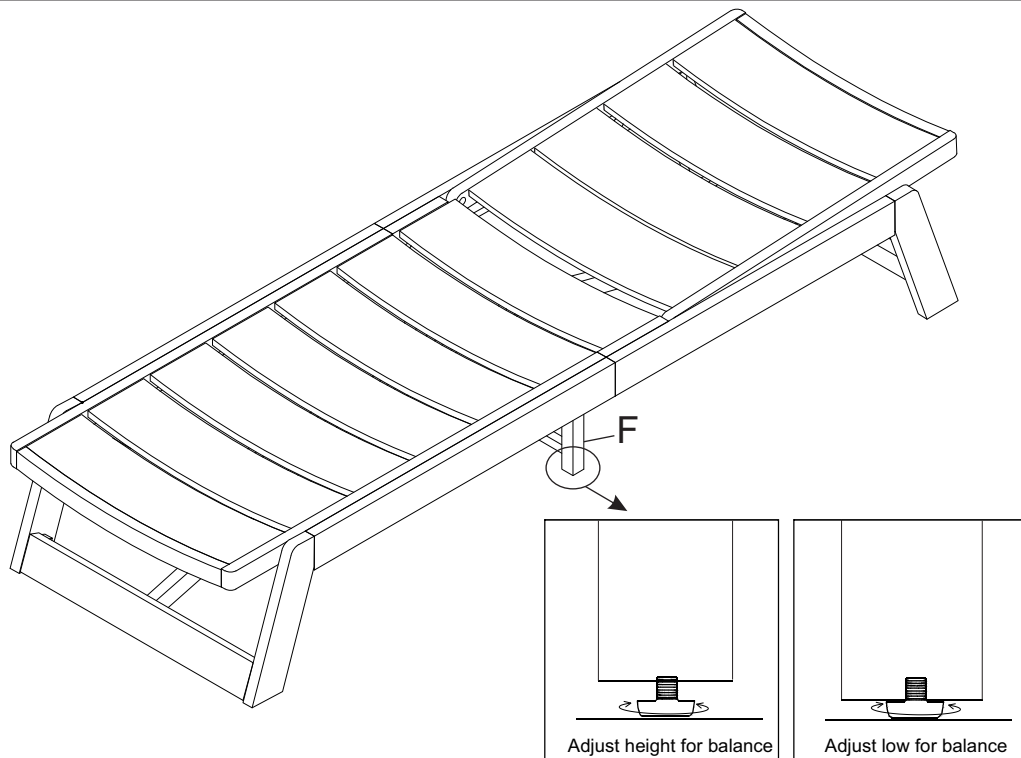
Assembly Steps

Step 8



Attach Middle Leg(F) to Foldable Seat Panel(A) using Bolts(①) and Washers(③) with Allen Key(④) as pictured.
Do not fully tighten the Bolts.

Step 9



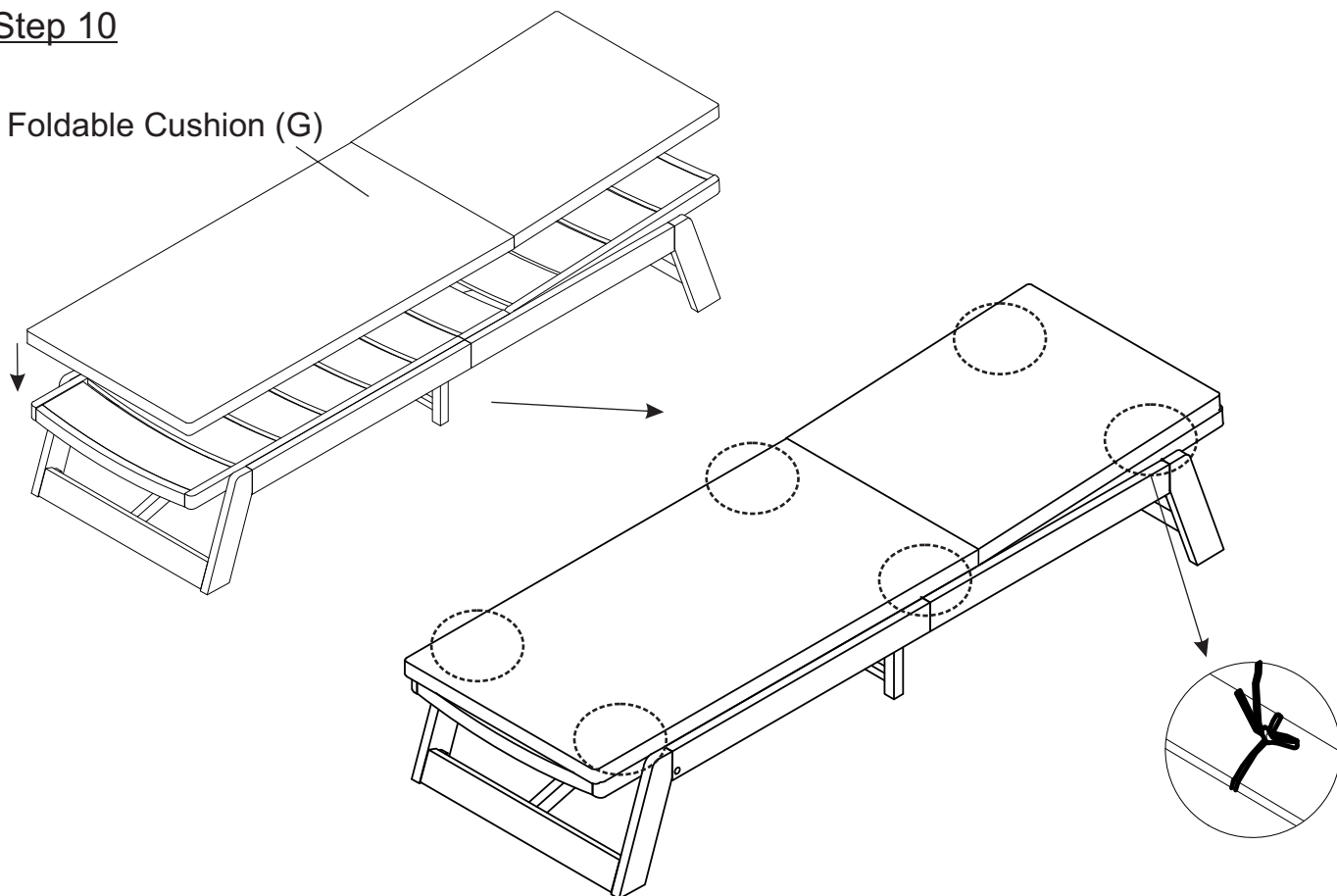
Adjust Pre-installed Levellers height for balance

EXERT pressure, floorwards, onto the Seat Panel.
This pressure will help the Legs and Seat Panel reach alignment at all joints.
In a sequential manner, gradually tighten all Bolts at all joints until evenly secured.
With assistance from your adult partners, turn the Lounger right side up.
Adjust the Pre-installed Levellers in Middle Leg(F) to desired height to avoid wobbles.

Assembly Steps

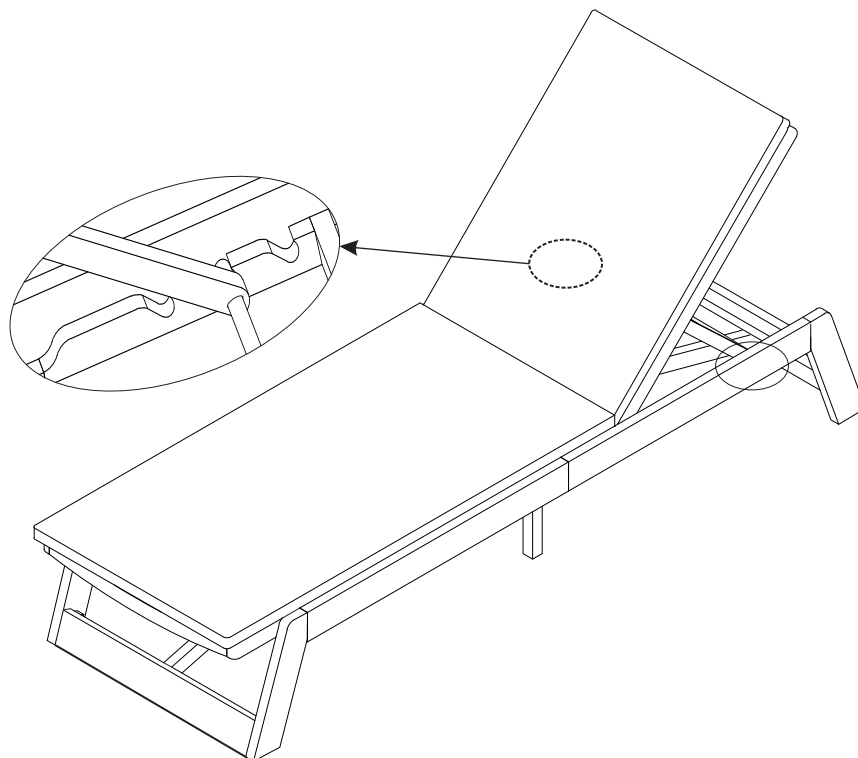
Step 10

Foldable Cushion (G)












Place Foldable Seat Cushion(G) on to the Lounge. Tie the strings of Foldable Seat Cushion(G) to Foldable Seat Panel(A) as shown in picture above.

Step 11



Align the Backrest of the Lounger in position you want as picture above.
Your Lounger is ready for use.
This Lounge can only be used on a flat, level surface.

Care & Maintenance

-  Do not put hot items directly on furniture surface.
-  Do not clean furniture with harsh cleansers or polish.
-  To obtain the longest lifespan of your outdoor products, minimizing exposure to direct sunlight is recommended.
-  Children should not climb or jump on the furniture.
-  Do not write on furniture without a padded barrier to protect the surface.
-  To obtain the longest lifespan of your outdoor products, avoid extended and lengthy exposure to rain, snow, and direct sunshine. Whenever possible cover the product and /or place under patio or awnings.
-  Not for commercial use. For residential use only
-  Stains may be removed with mild soap solution and damp cloth.
-  Dust and pick-up spills using a clean, non-colored, lint-free cloth.