



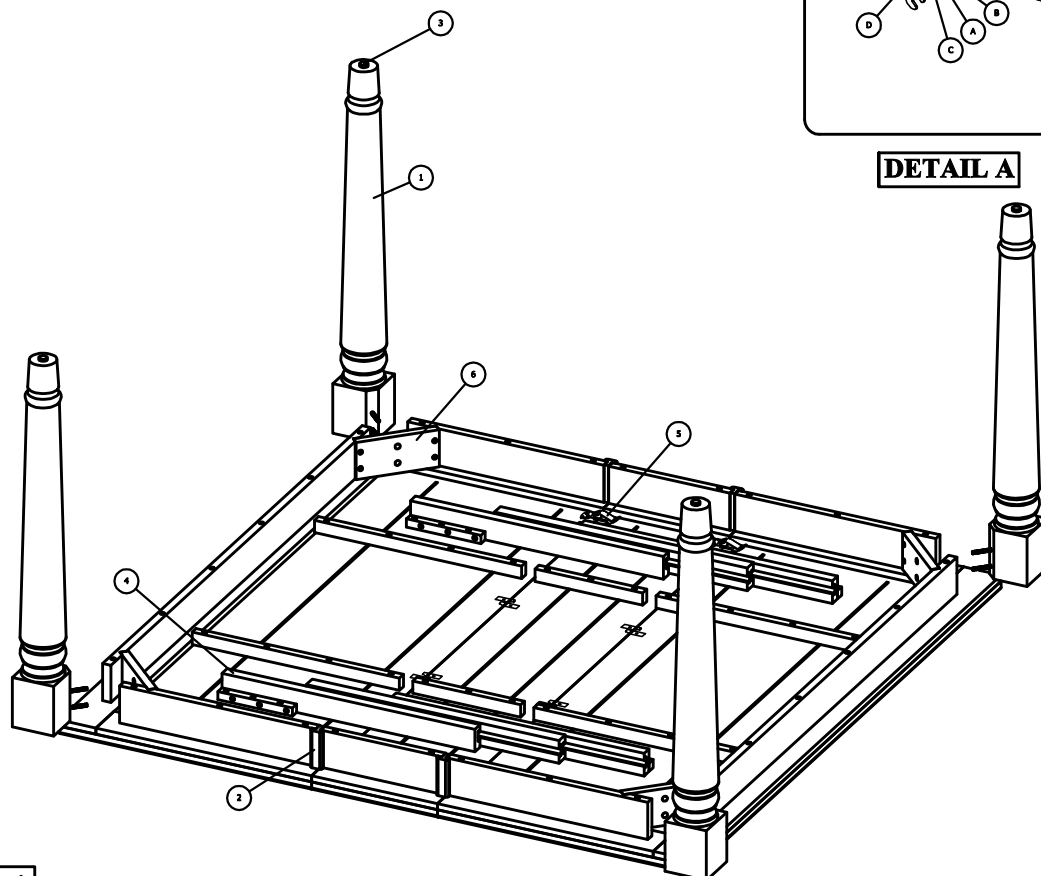
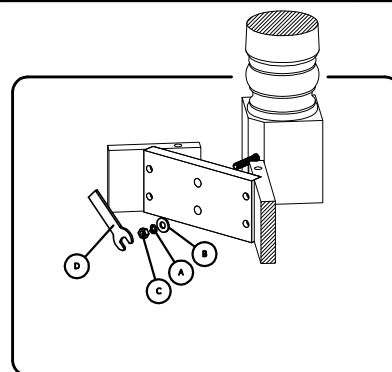


Thank you for purchasing this quality product. Be sure to check all packing material carefully for small parts that may have come loose inside the carton during shipment.

Hardware kit (1771-60P01)			
No		Description	Q'Ty
A		Lock Washer Ø8	8 pcs
B		Flat Washer Ø8	8 pcs
C		Nut ØM8	8 pcs
D		Key wrench	1 pc

Key Parts			
No	Code	Description	Q'Ty
1	1771-60P02	Table Leg	4 pcs
2	1771-60P01A	Apron Spacer	4 pcs
3	1771P01F	Floor Glide	4 pcs
4	1771-60P13	Extension Mechanism	1 pc
5	1771-60P13L	Extension Lock	4 pcs
6	1771-60P26	Corner Block	4 pcs



STEP 1

- Carefully lay Table Top upside down on a smooth flat surface to prevent scratches.
- Affix each Leg to each corner of the Table Top as shown in illustration. Insert a Flat Washer, Lock Washer and Nut on the bolts of each Leg
- Once all Legs are in place, fully tighten nuts by turning clockwise using provided Key Wrench until secure. (See Detail A)