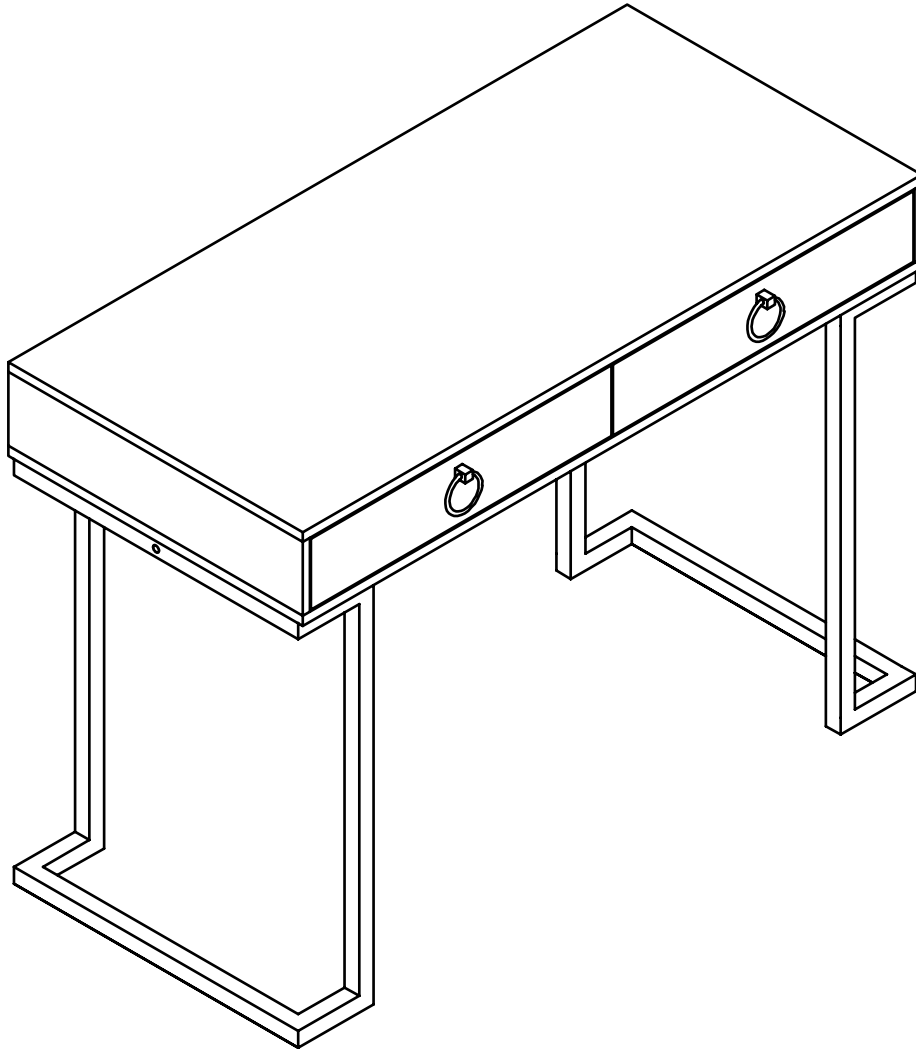


# Desk



# Ok, let's get rolling

This should be easy, just follow our simple instructions and you will be back to Netflix in no time.

## Estimated time for assembly



35:00

## What you need

- Some bubbly or your preferred relaxant
- Use the packaging carton as a working surface to prevent product damage during assembly
- Phillips head screwdriver

## Weight Limitation



220

lbs table top

22

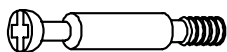
lbs per shelf

## What's included

Code	Description	Qty
A	Cam Bolt	22
B	Cam Lock	22
C	Wooden Dowel	12
D	Screw M4X35MM	20
E	Bolt M6X35MM	10
F	Bolt M6X50MM	2
G	Allen Key	1
H	Handles Hardware	2
I	Screw M4X16MM	2
J	Drawer stopper	2
K	Screw M3.5X12MM	2
L	Metal Hinge	2
M	Screw M4x12MM	2
N	Wall Anchor	2

# The goods

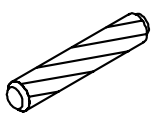
A



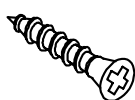
B



C



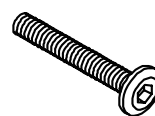
D



E



F



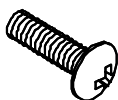
G



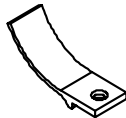
H



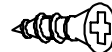
I



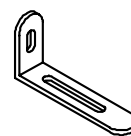
J



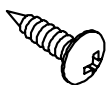
K



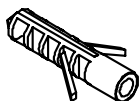
L



M



N



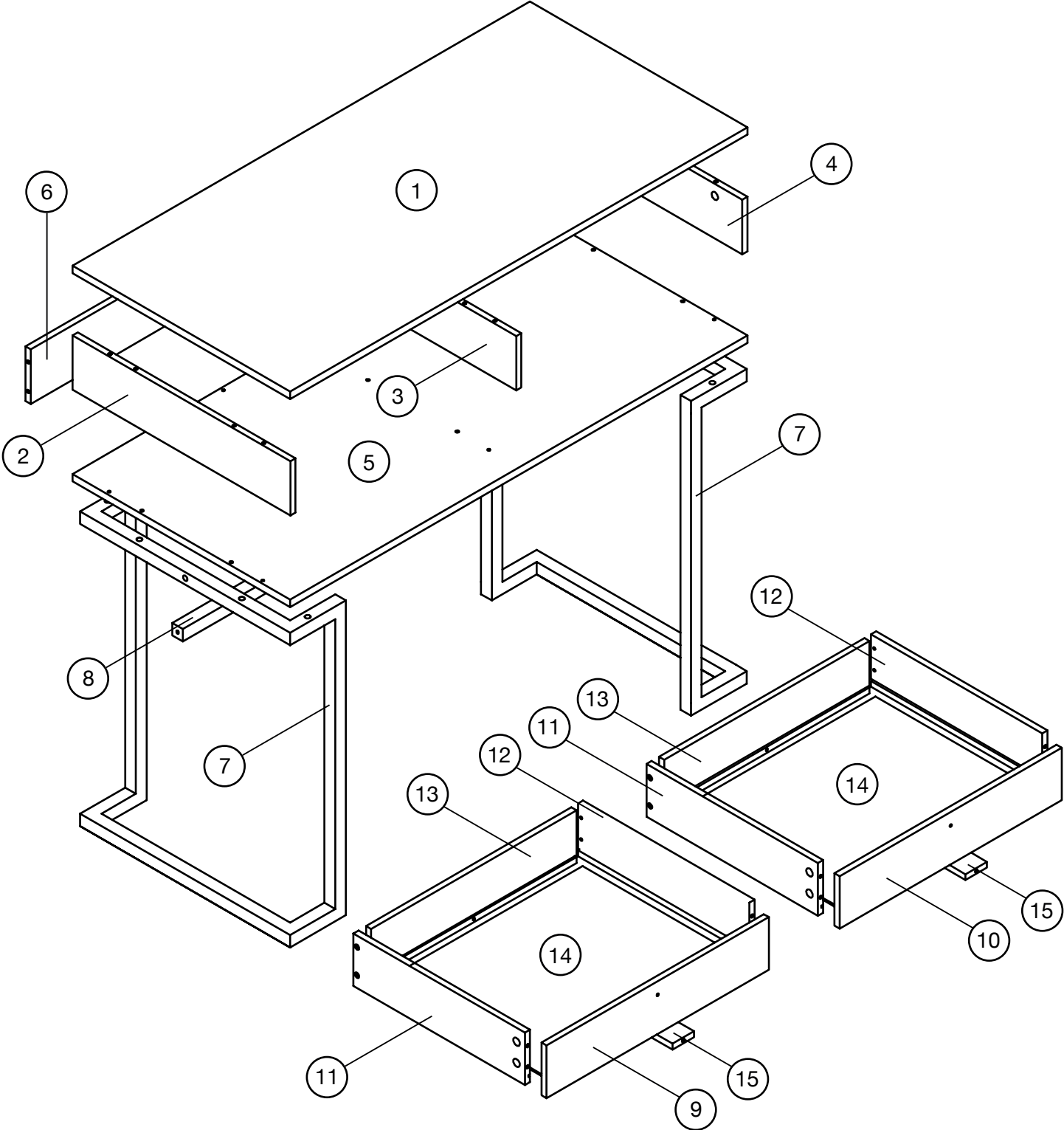
## IMPORTANT:

1. Do not tighten bolts / screws completely until all bolts / screws are lined up and inserted into holes.
2. Do not over tighten screws and bolts to avoid stripping.
3. Please use hand tools to assemble this product. Do not use power tools.

## What's included

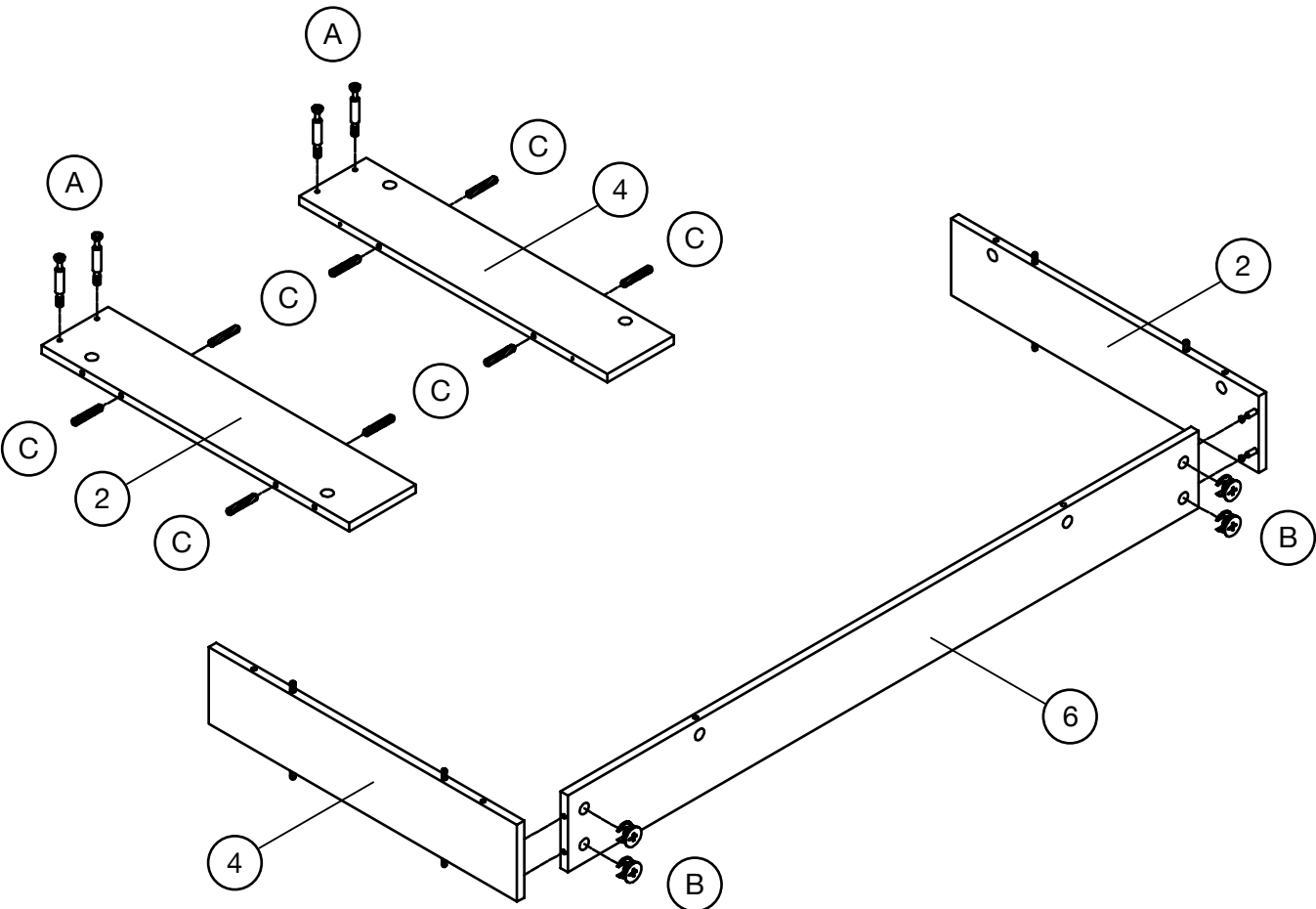
<b>Code</b>	<b>Description</b>	<b>Qty</b>	<b>Code</b>	<b>Description</b>	<b>Qty</b>
1	Desk Table Top	1	9	Left Front Drawer Panel	1
2	Left Side Panel	1	10	Right Front Drawer Panel	1
3	Middle Support Panel	1	11	Left Side Drawer Panels	2
4	Right Side Panel	1	12	Right Side Drawer Panels	2
5	Bottom Desk Panel	1	13	Back Drawer Panels	2
6	Back Panel	1	14	Bottom Drawer Panels	2
7	Desk Legs	2	15	Drawer Rail	2
8	Support Beam	1			

# The goods



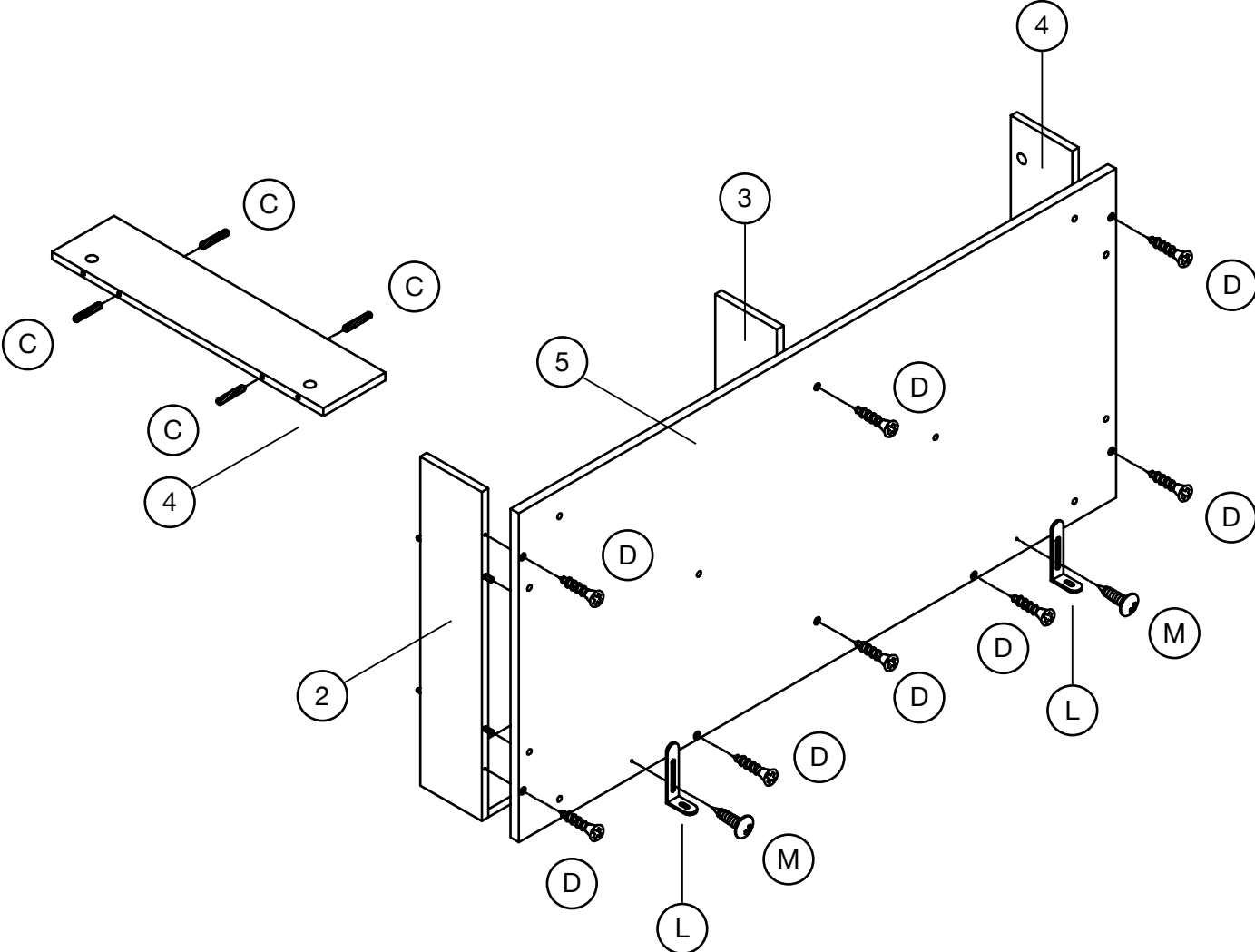
# Step 1

Let's fire this thing up! Leaving you some time to watch a few episodes before the end of the day!



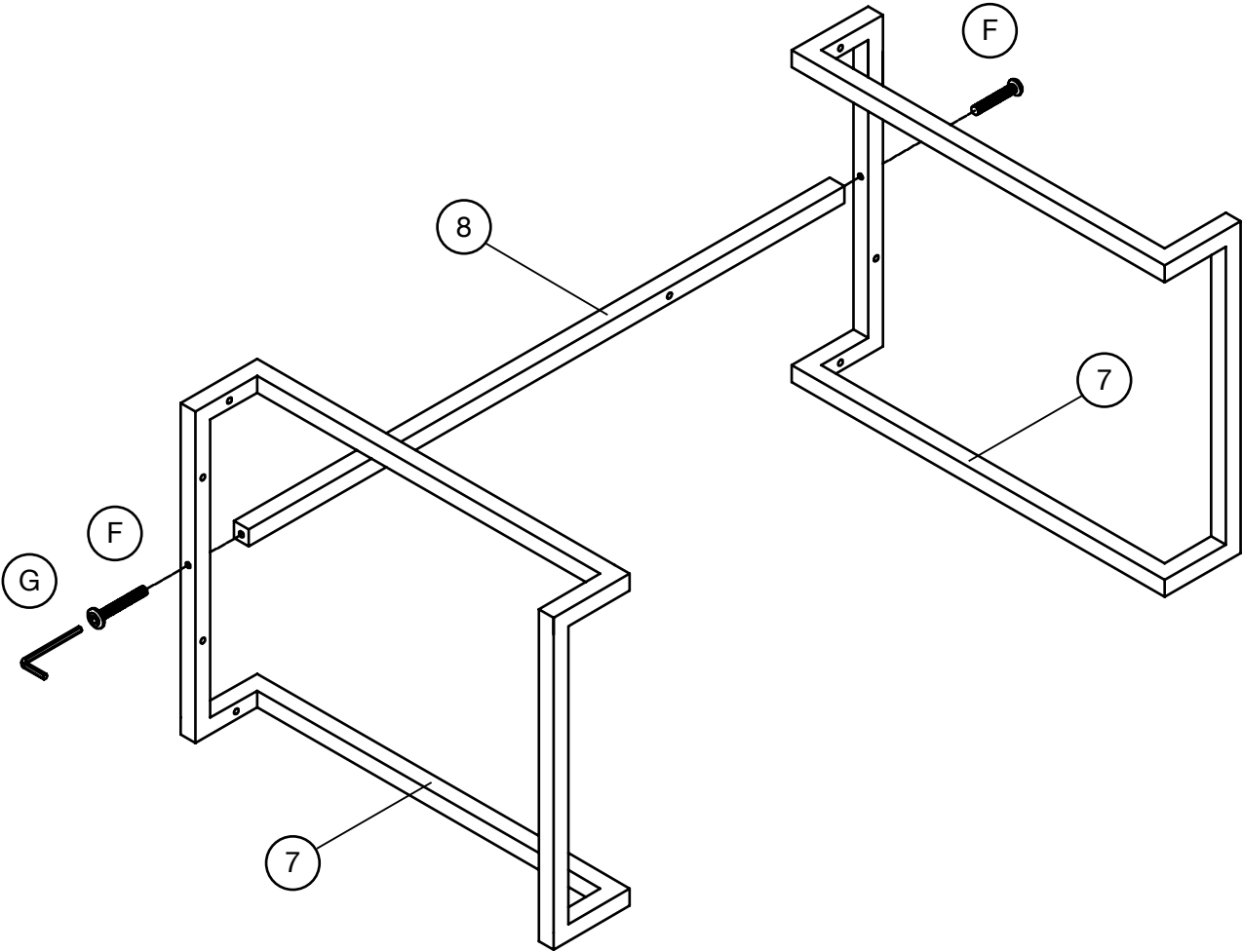
# Step 2

Not too bad so far right? You're almost done with the top part of the desk!



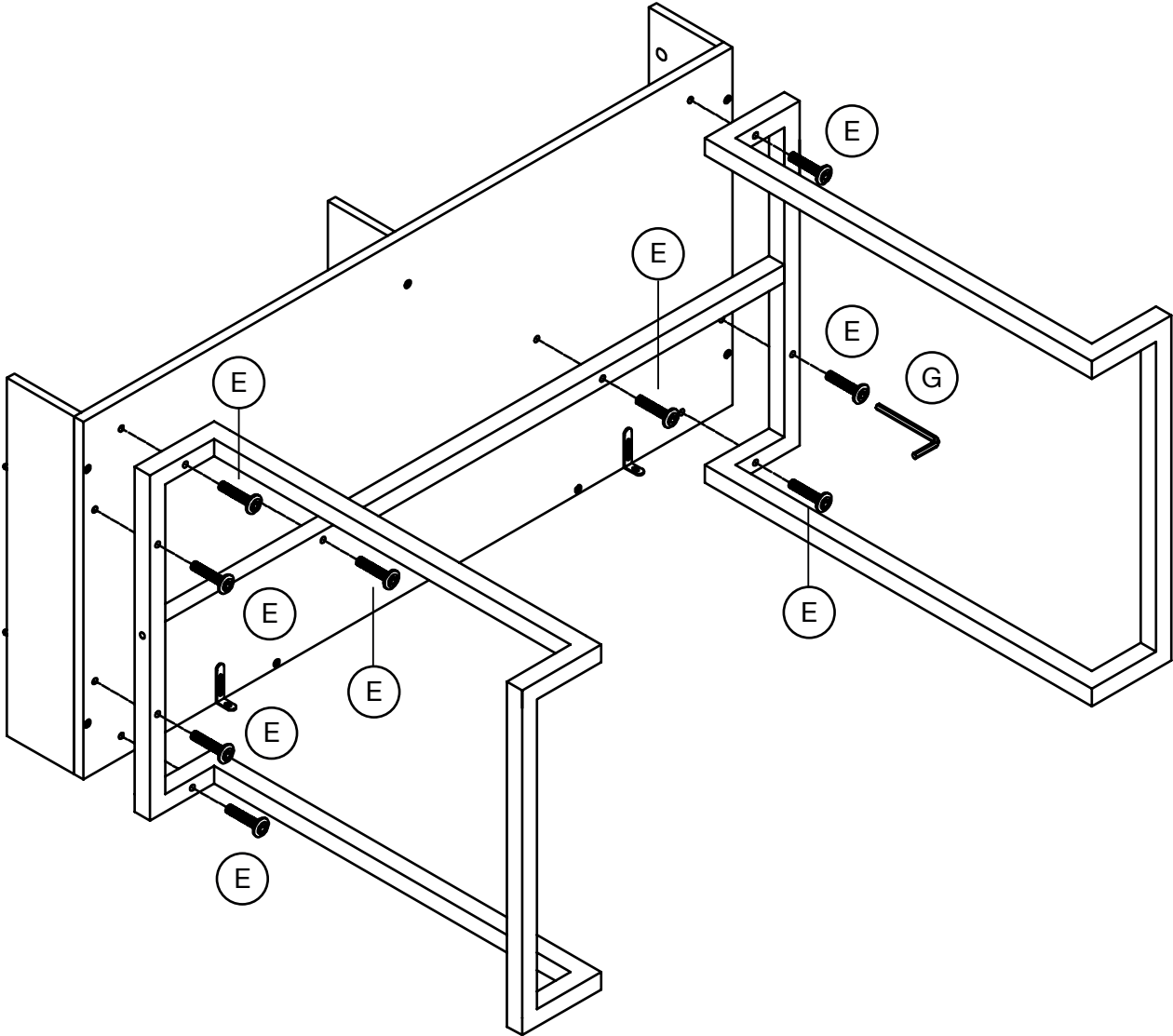
# Step 3

Yup, it's as simple as it looks. Connect the support beam (8) to the desk legs.



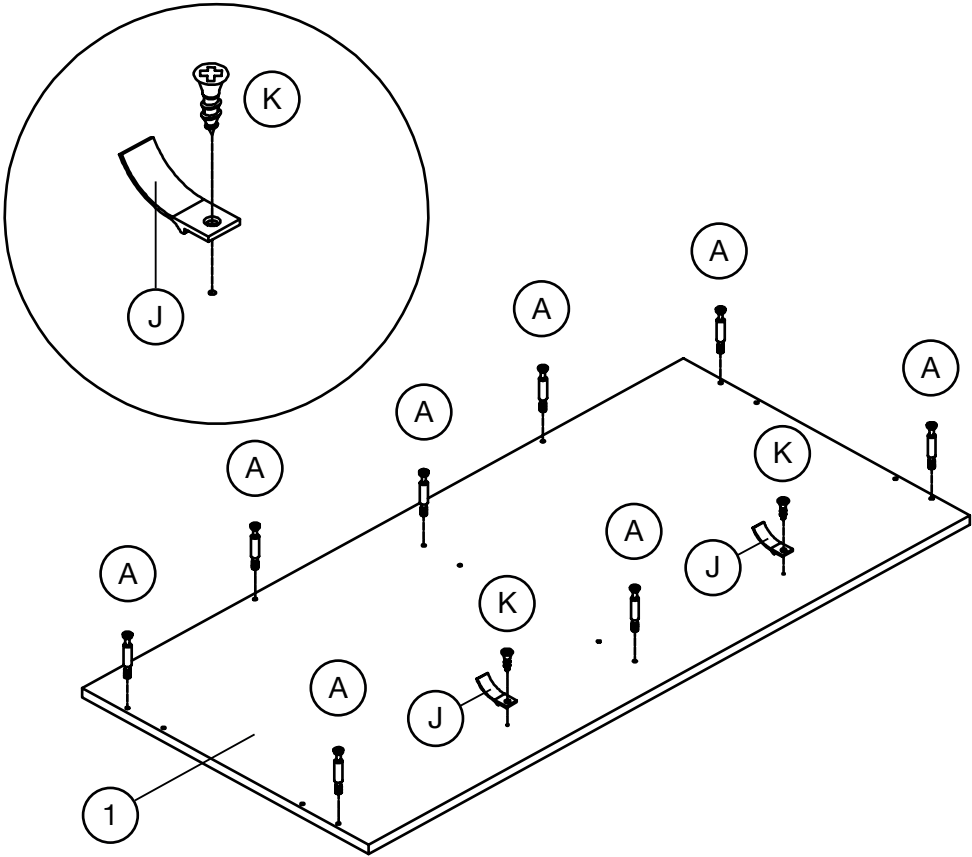
# Step 4

Don't forget to lay down a blanket or use the carton as a working surface to avoid scratching your desk. P.s you're almost done, time to order some pizza?



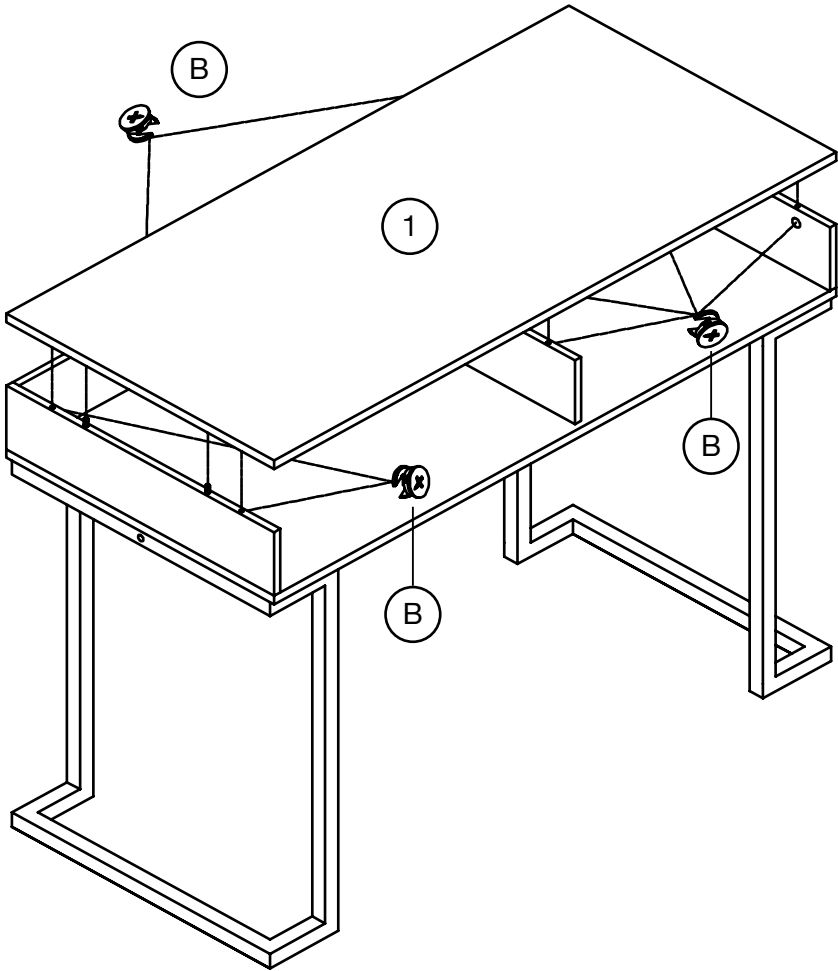
# Step 5

Secure the drawer stopper.



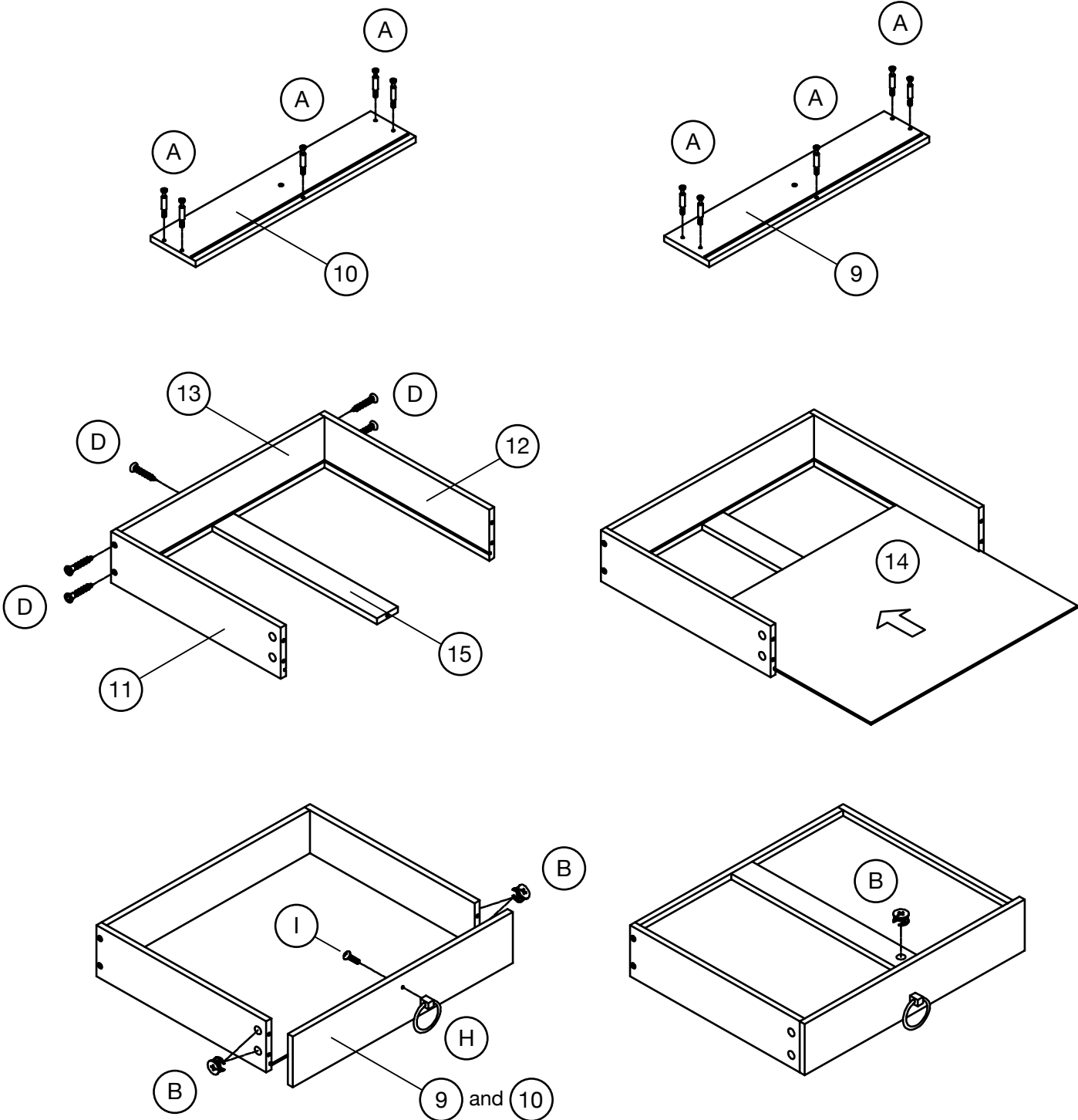
# Step 6

Pop, lock but don't drop it!



# Step 7

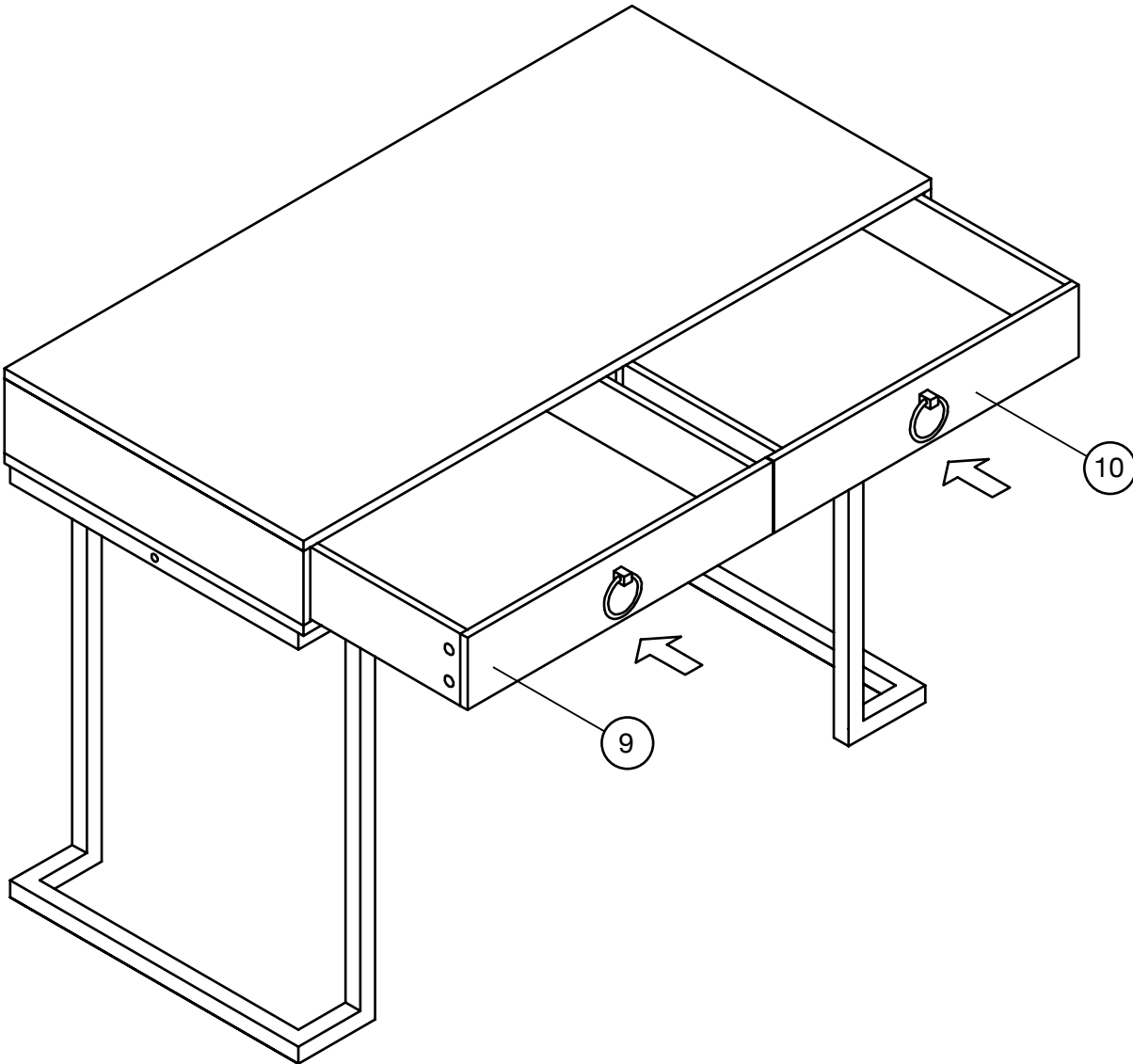
Yes, we'll admit drawers are our least favorite part too! Good news, it's almost over and you're within minutes of pressing play on Netflix!



x2

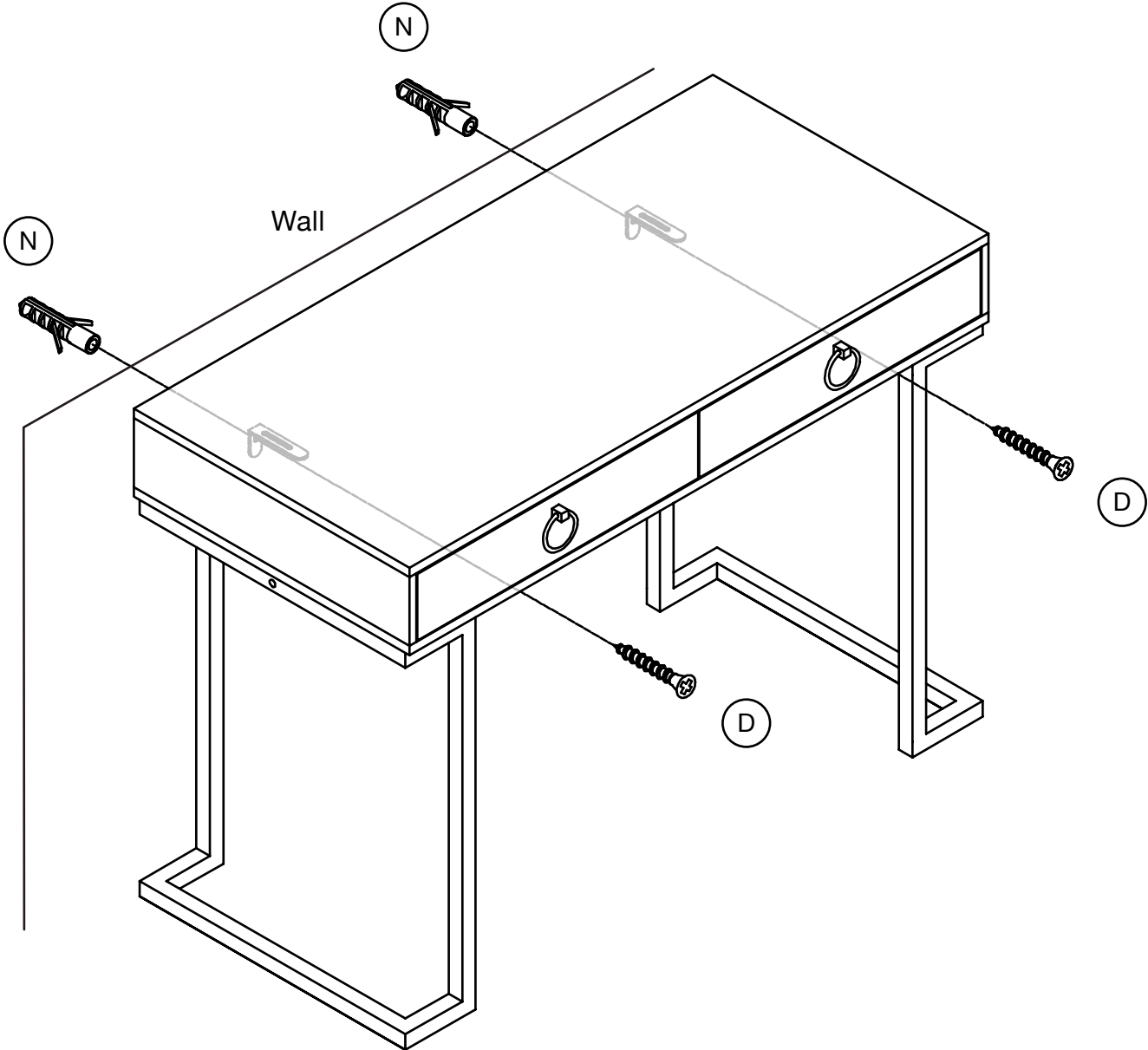
# Step 8

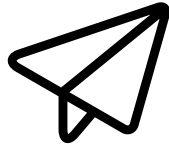
Something tells me you knew  
this step was coming...



# Step 9

For safety, we recommend securing desk against the wall to avoid any accidents.





# No heartburn, when we handle the return

---

## Our way



Give us a call



Replacement



You

## Their way



Re-package item



Schedule pick up



Track package



Replacement



You

We really don't want you to go through the hassle of re-packaging your item and sending it back, because let's be honest...nobody has time for that.

# Safety first, fun later

---

We want your Desk to last as long as possible, so we recommend that you tighten the screws 2 weeks after assembly and for added safety check the tightness of all screws every 2 months.

## **Safety use of this product starts with you.**

Use this Desk responsibly with the primary concern for your safety. Follow assembly instructions carefully and inspect product upon receipt and each use. and its parent companies cannot be held legally responsible for any injuries or death resulted from failure to follow instructions or improper use of this product.

## **Proper Use**

- DO NOT** use for commercial purposes
- DO NOT** use as a step stool or stand on table
- DO NOT** put hot serving liquid directly on the table top
- DO NOT** leave spilled liquid on the table top
- DO NOT** use table if damaged
- DO NOT** exceed weight limit
- DO NOT** make temporary repairs
- DO NOT** use outdoor