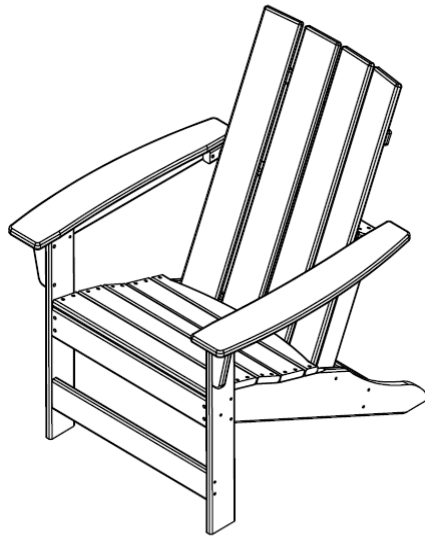


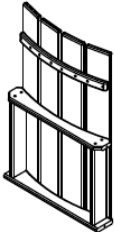


Assembly Instructions

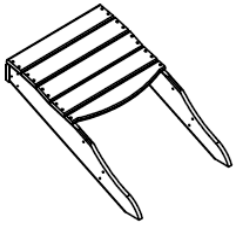




Caution : You must read this before you proceed

Chair





Parts List

Label	Picture	Description	QTY
A		Backrest	1
B		Left Arm	1
C		Right Arm	1

D		Chair Plate	1
E		Right Front Leg	1
F		Left Front Leg	1
G		Junction Plate 1	1
H		Junction Plate 2	1

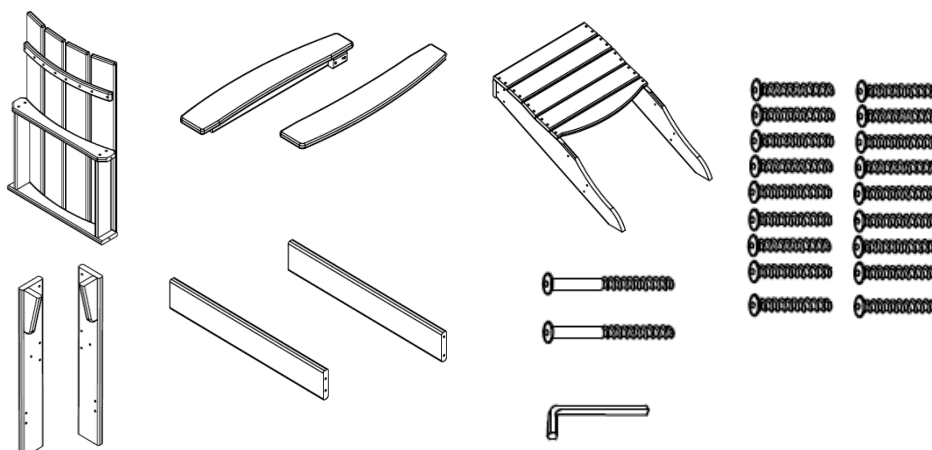
Hardware

Label	Picture	Description	QTY
①		Bolt(M6*40MM)	18
②		Bolt(M6*80MM)	2

③		Allen Key	1
---	---	-----------	---

Assembly Preparation

Before Beginning Assembly:



- Read instructions, cover to cover-



- Have 2 adults on hand for assembly-



- Do not assemble on flooring or carpet-



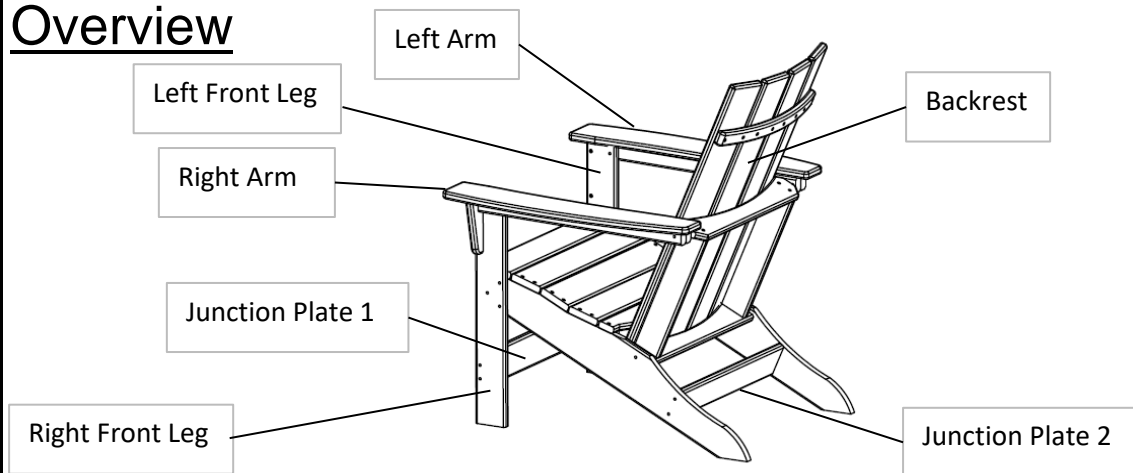
- Assemble on a clean non-marring surface (packing foam)-



- Save all packaging until finished-

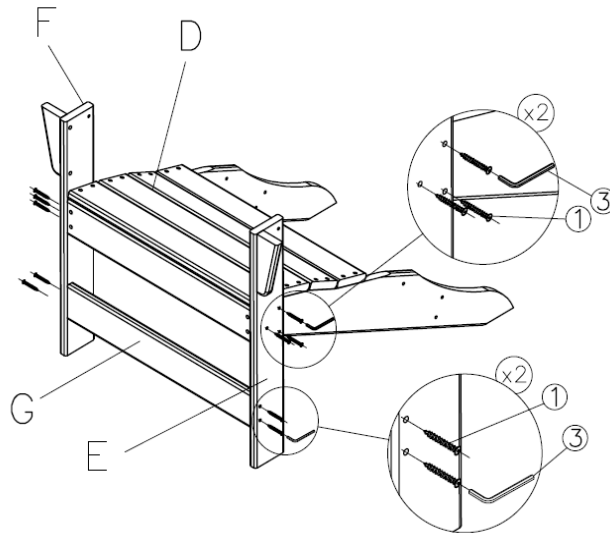
Assembly Steps

Overview



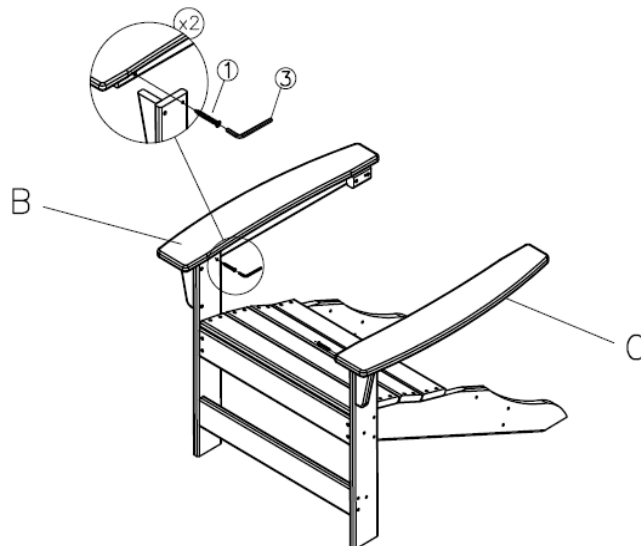
This chair has multiple parts and may require up to some 30 minutes to assemble. To give you an overview of the chair parts, the above picture is to help you put the various parts into perspective. Please read through the instructions below to familiarise yourself with the parts and steps before assembly.

Step 1



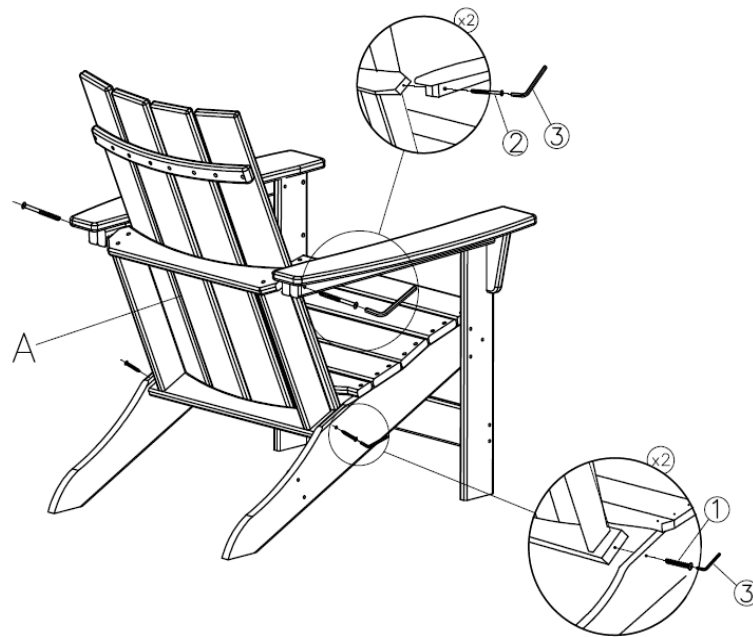
Attach Chair Plate(D) and Junction Plate 1(G) to Right Front Leg(E) and Left Front Leg(F) using Bolt(①) with Allen Key(③) as above picture shows..

Step 2



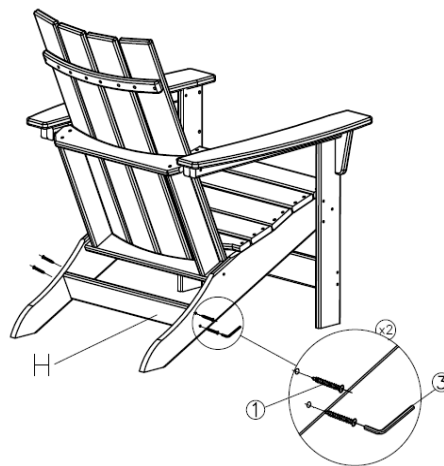
Attach Left Arm(B) and Right Arm(C) to legs using Bolt(①) with Allen Key(③).

Step 3













Attach **Backrest(A)** to **Arms and Chair Plate(D)** using Bolt(1) and Bolt(2) with Allen Key(3) as above picture shows.

Step 4



Attach Junction Plate 2(H) to **Chair Plate(D)** using Bolt(1) and Bolt(2) with Allen Key(3).

Care & Maintenance

-  ● Do not put hot items directly on furniture surface.
 -  ● Do not clean furniture with harsh cleansers or polish.
 -  ● Do not place furniture under direct sunlight.
 -  ● Do not place furniture near heating or cooling vents.
 -  ● Do not write on furniture without a padded barrier to protect the surface.
 -  ● Do not place furniture outside. For indoor use only.
 -  ● Not for commercial use. For residential use only.
 -  ● Stains may be removed with mild soap solution and damp cloth.
 -  ● Children should not climb or jump on the furniture.
-
-  ● Dust and pick-up spills using a clean, non-colored, lint-free cloth.