
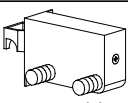
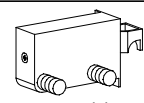
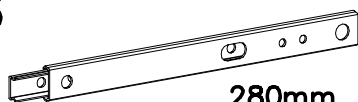
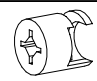



A1	
ø7x50	x...(2)

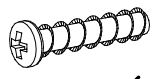
U9L		x...(1)
-----	---	---------


U9R		x...(2)
-----	---	---------

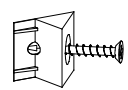
H3		280mm	x...(4)
----	--	-------	---------


K14		ø15x19	x...(2)
-----	---	--------	---------

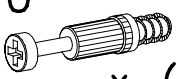
K1		ø15x12	x...(8)
----	---	--------	---------

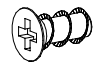
G55		6x22	x...(6)
-----	---	------	---------

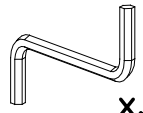
N1		M4x9	x...(4)
----	---	------	---------


I1		x...(4)
----	---	---------


W1		GLUE, LEIM, LEPIDLO, LIM	x...(1)
----	---	--------------------------	---------

K10		x...(12)
-----	---	----------

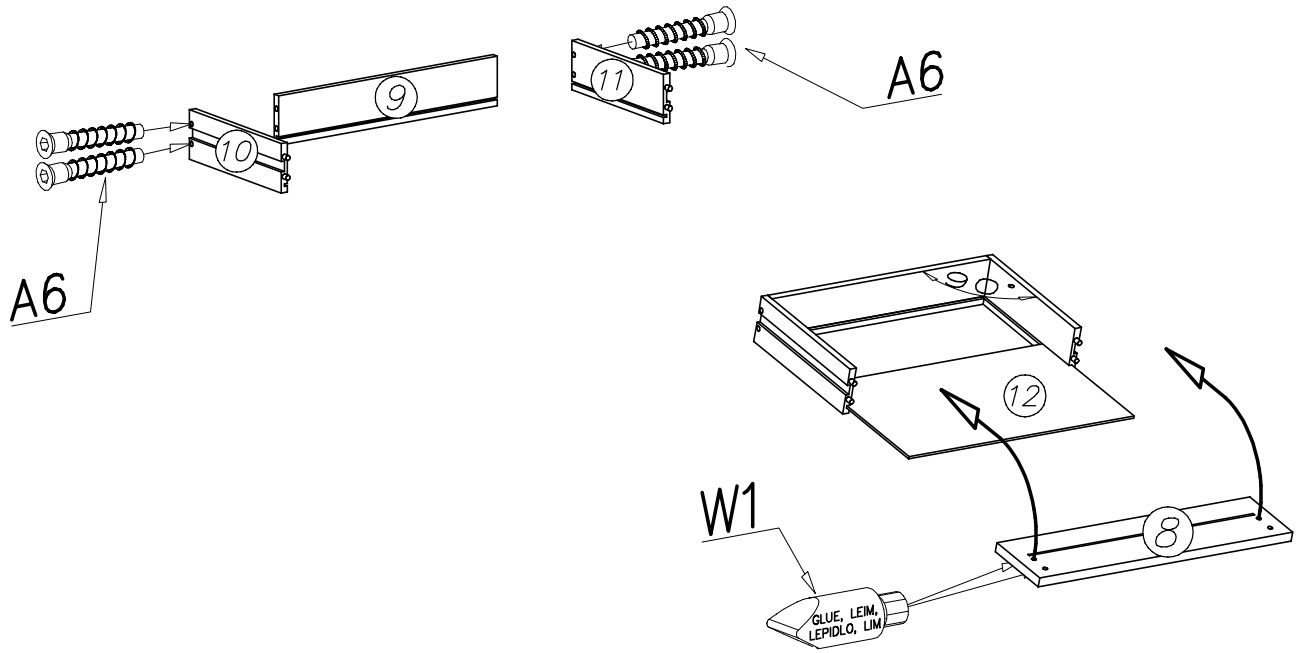
G50		6x13	x...(8)
-----	---	------	---------

W2		x...(1)
----	---	---------

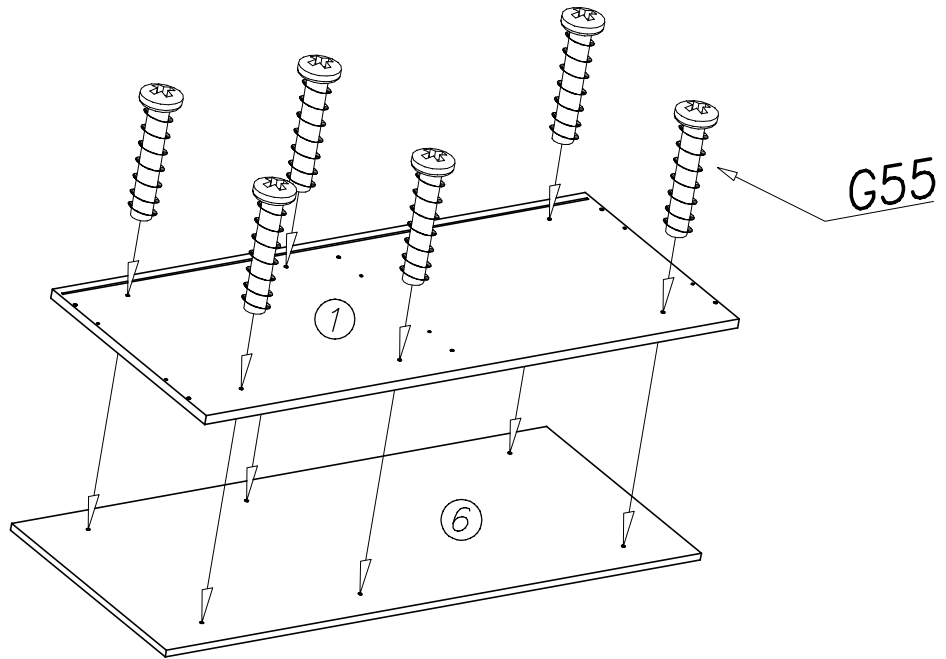
A6		ø7x40	x...(8)
----	---	-------	---------

B2		ø6x35	x...(12)
----	---	-------	----------

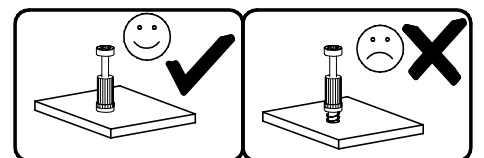
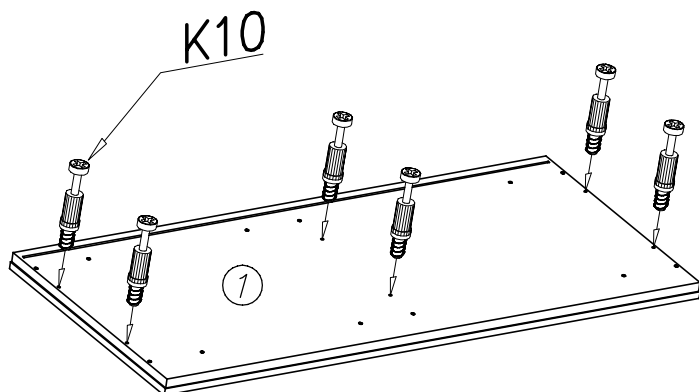
I



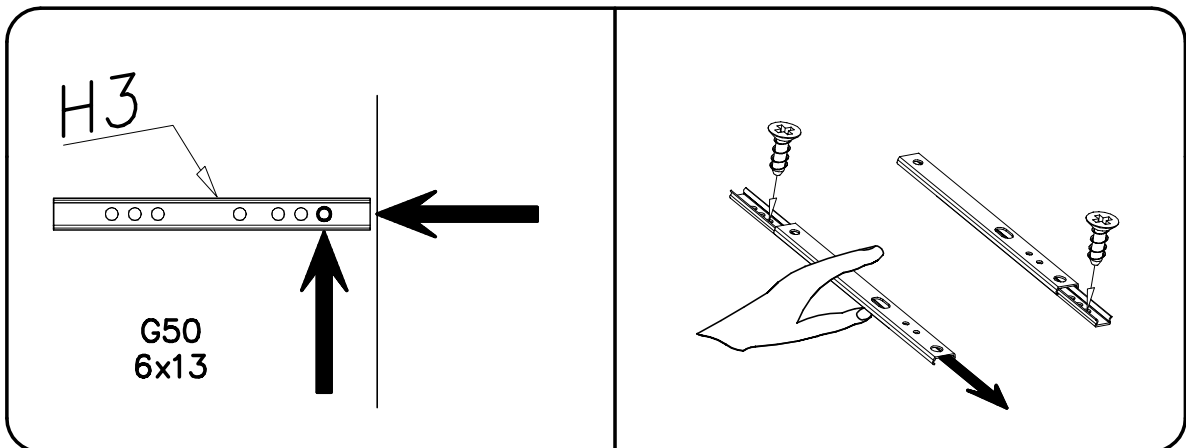
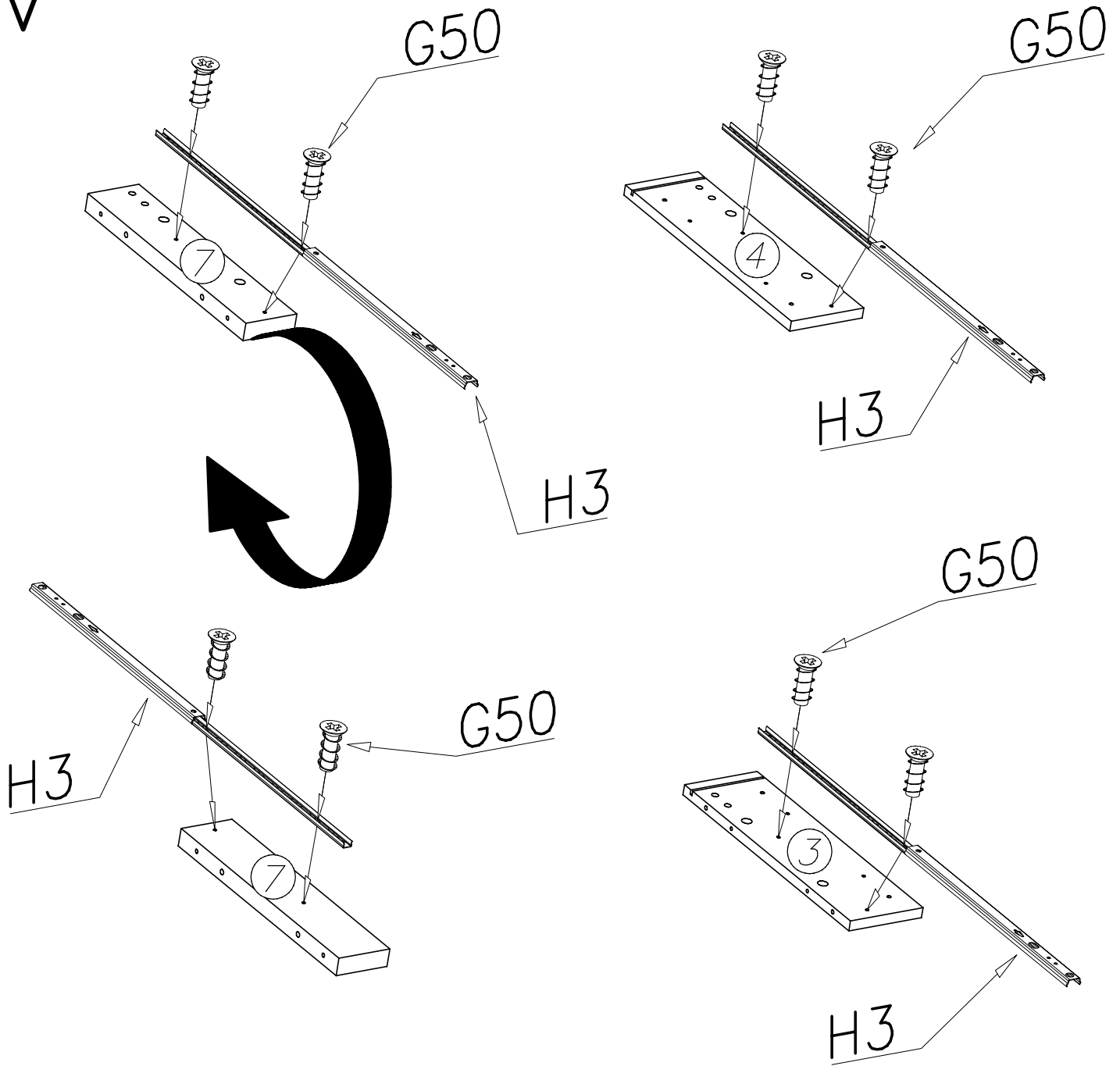
II



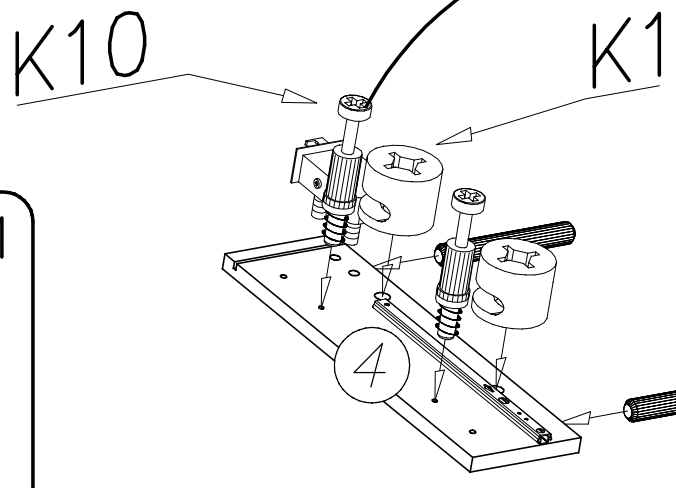
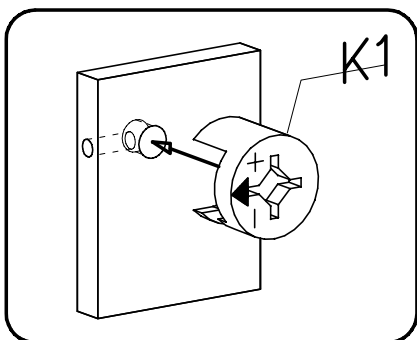
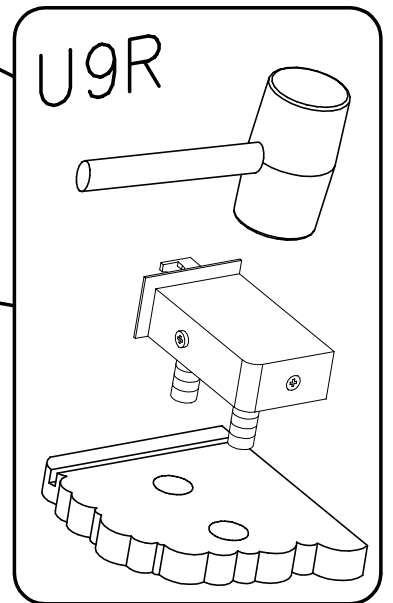
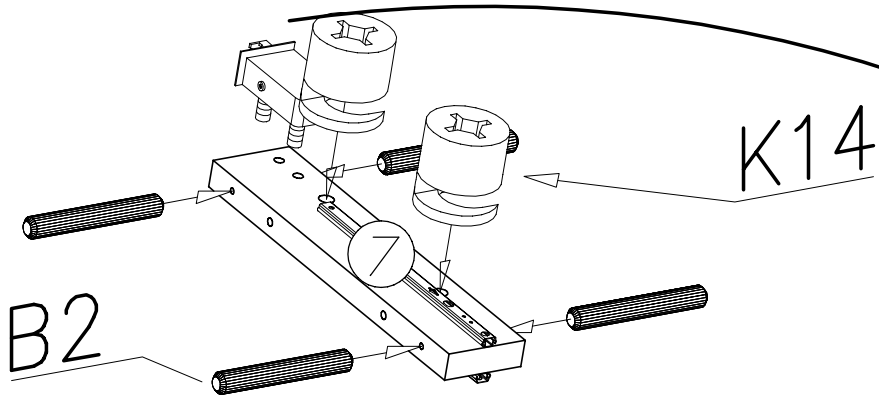
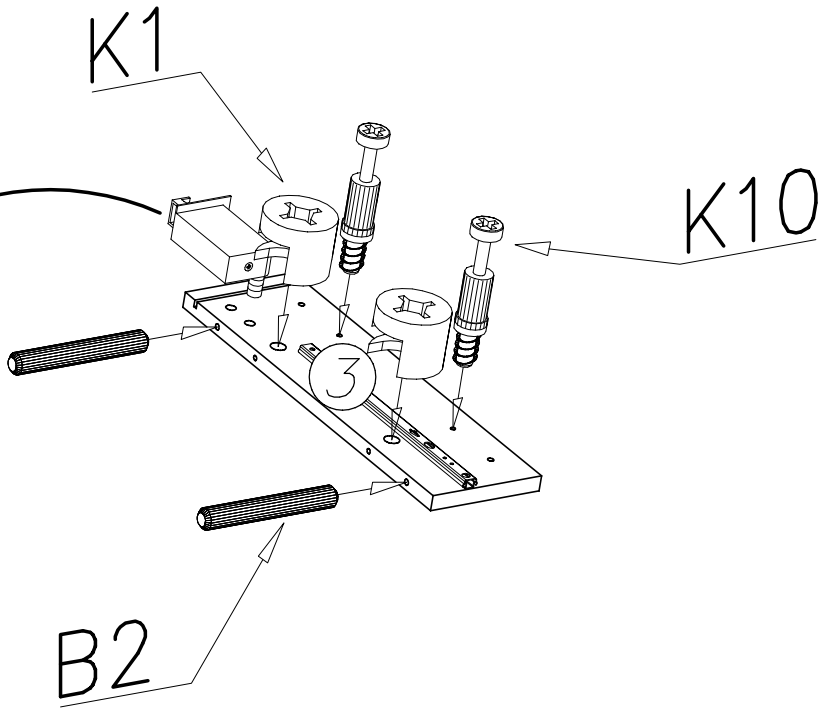
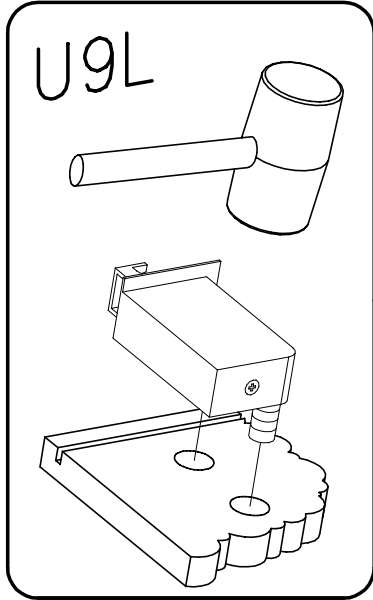
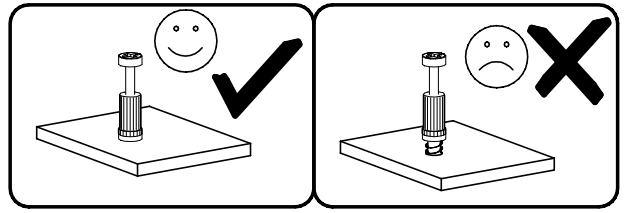
III



# IV

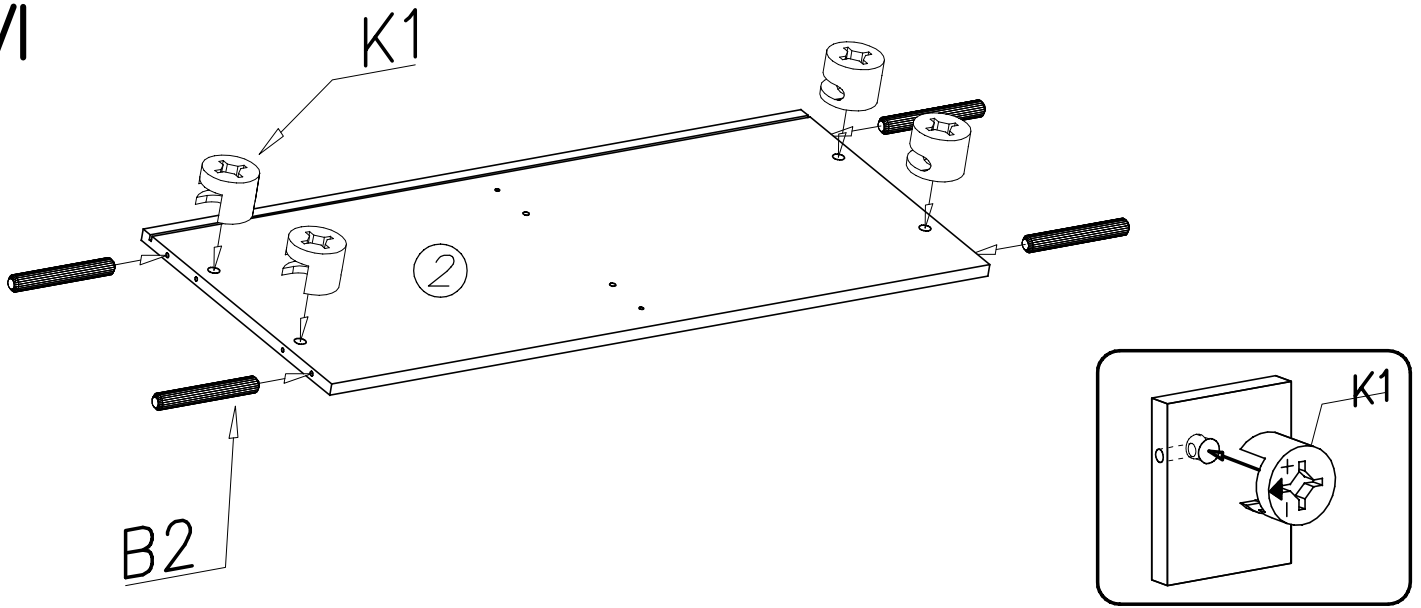


V

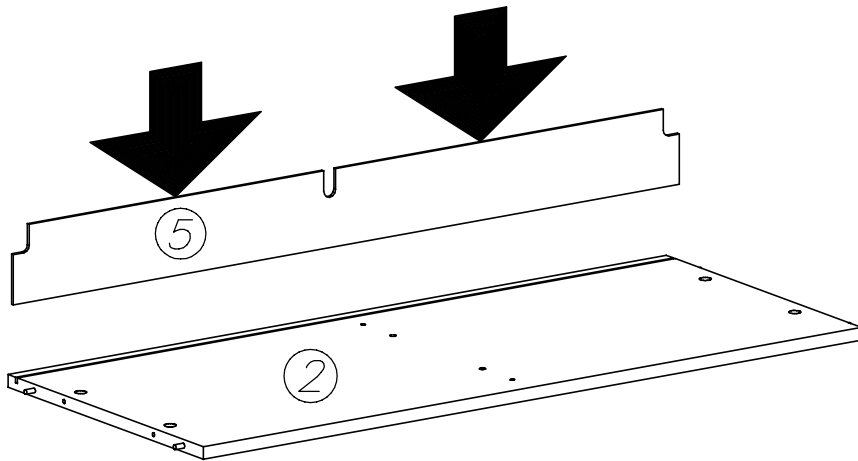


B2

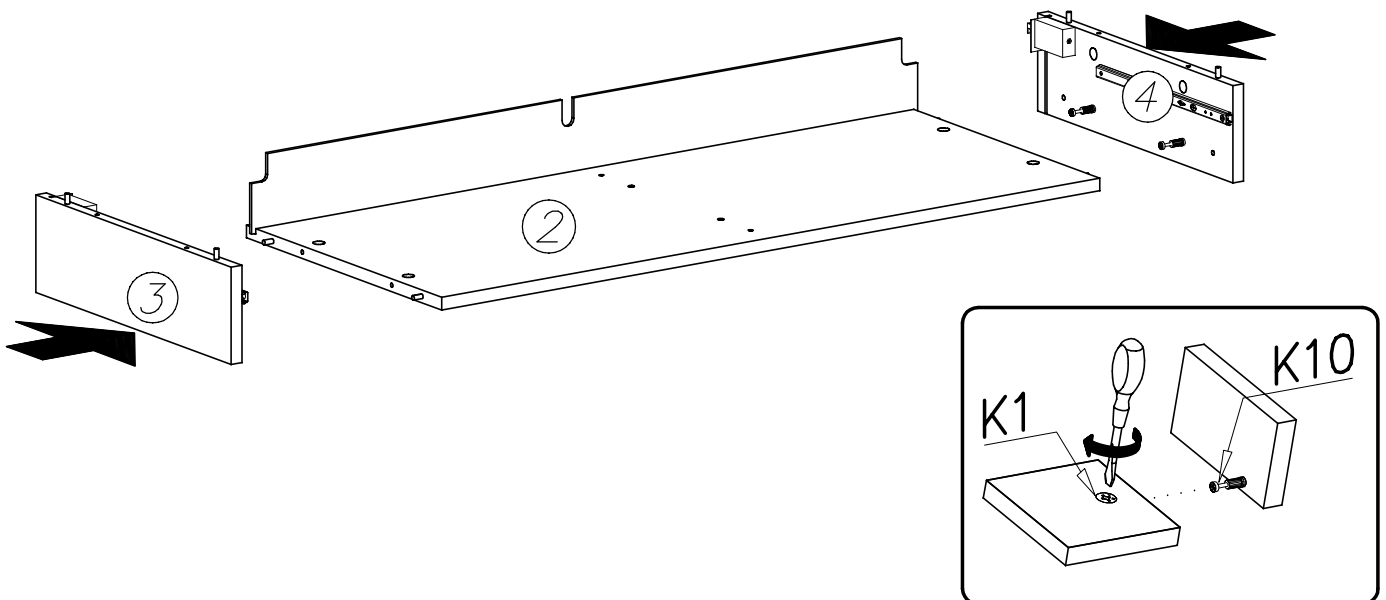
VI



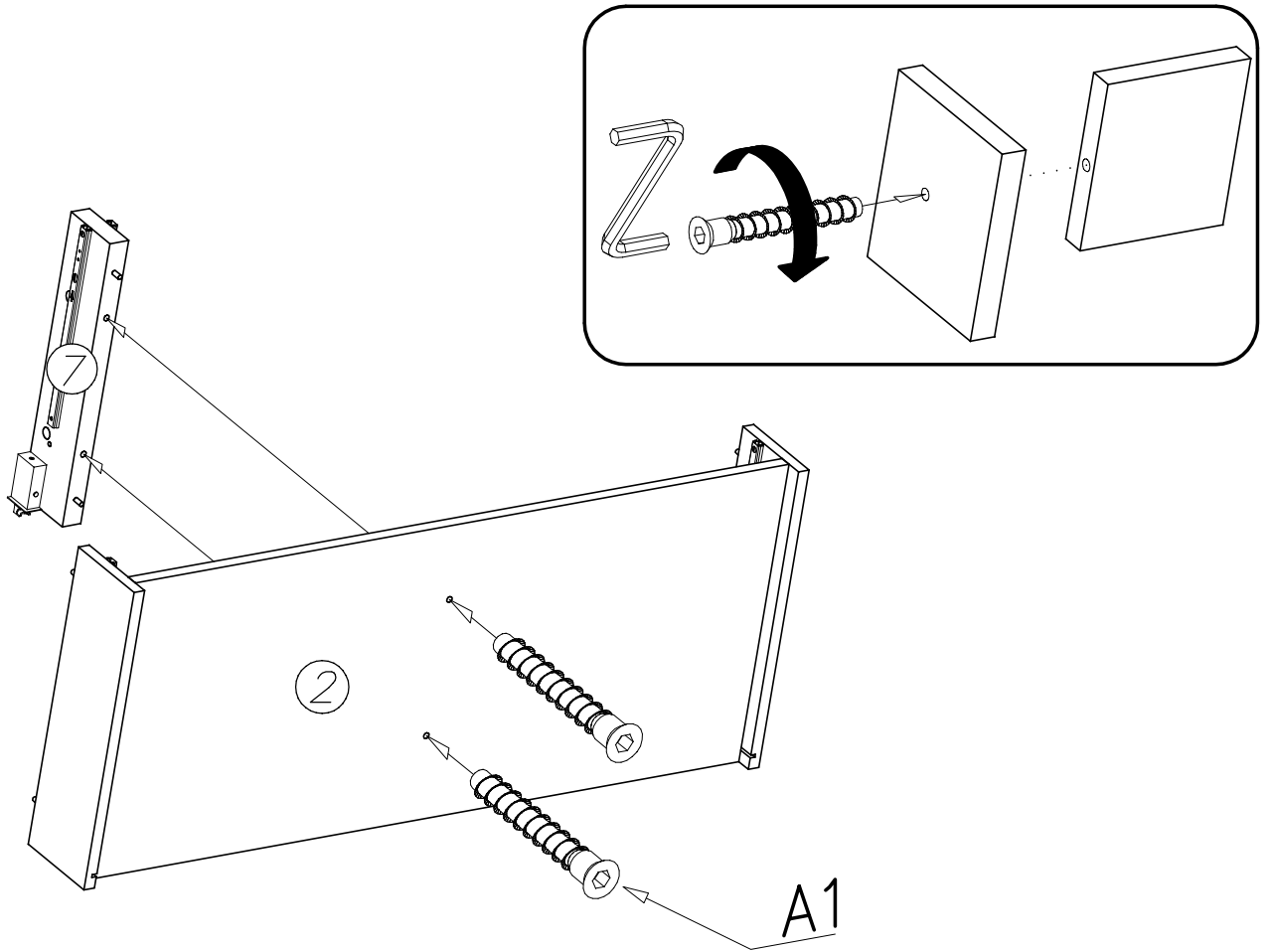
VII



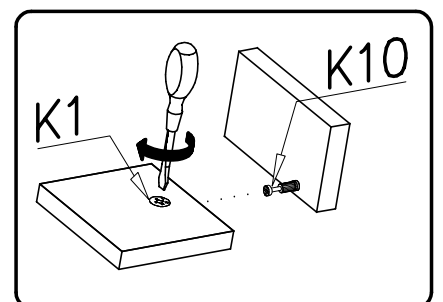
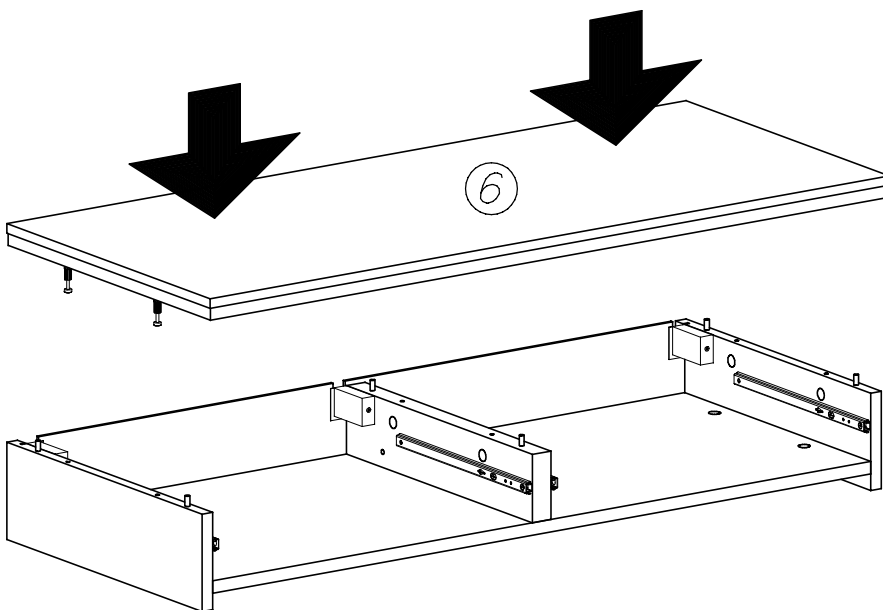
VIII



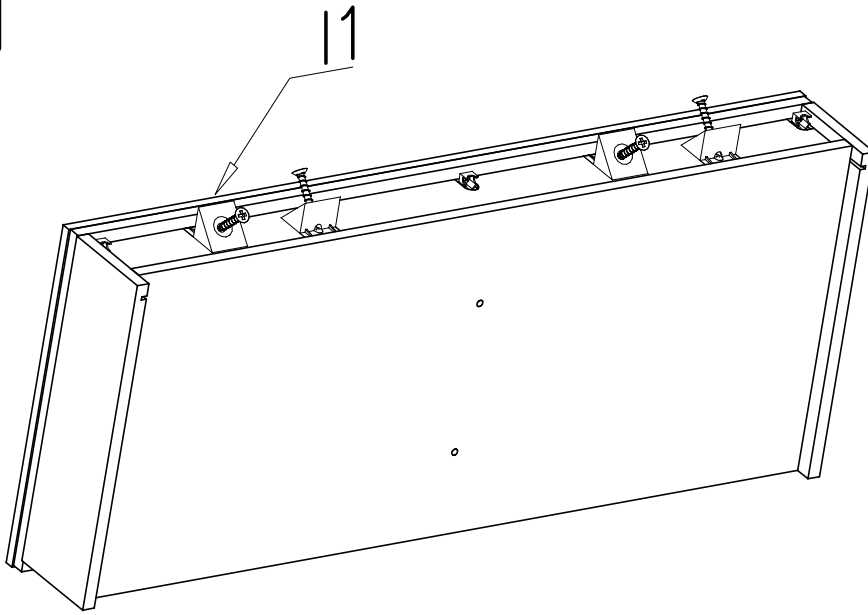
IX



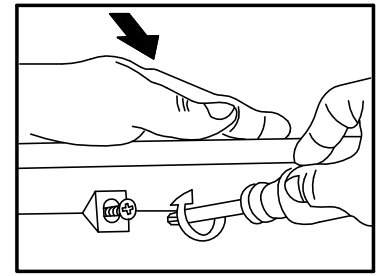
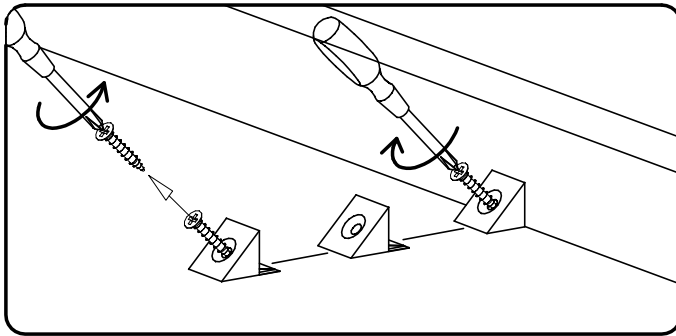
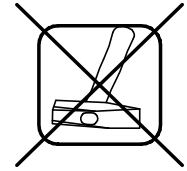
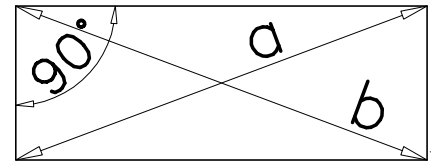
X



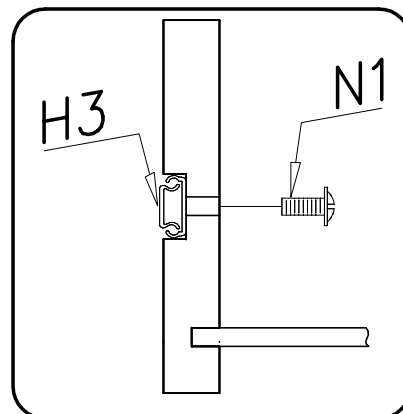
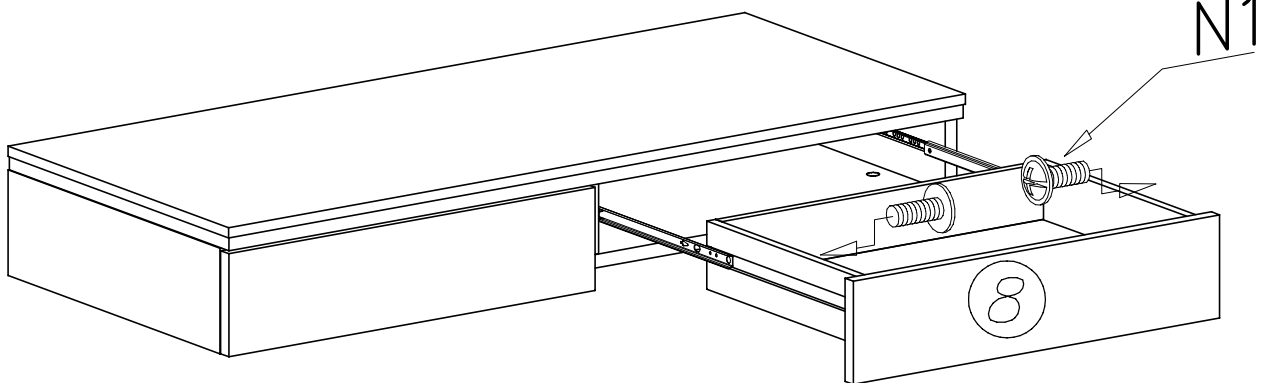
XI



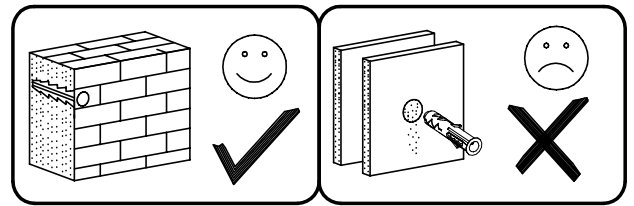
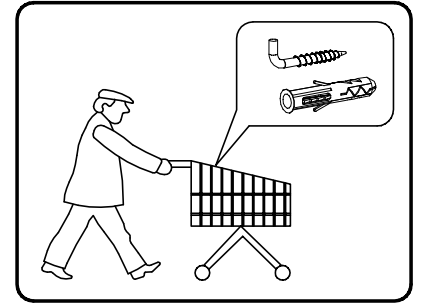
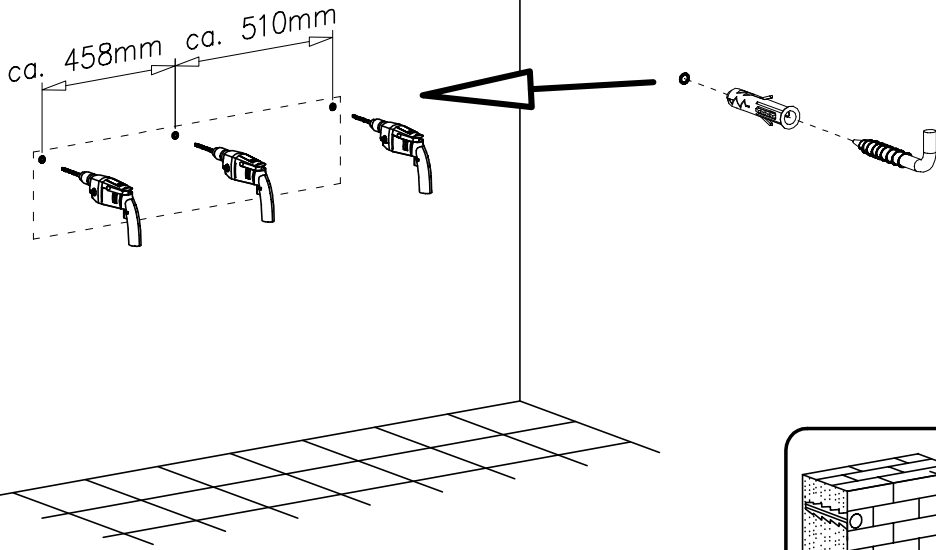
a=b



XII



# XIII



# XIV

