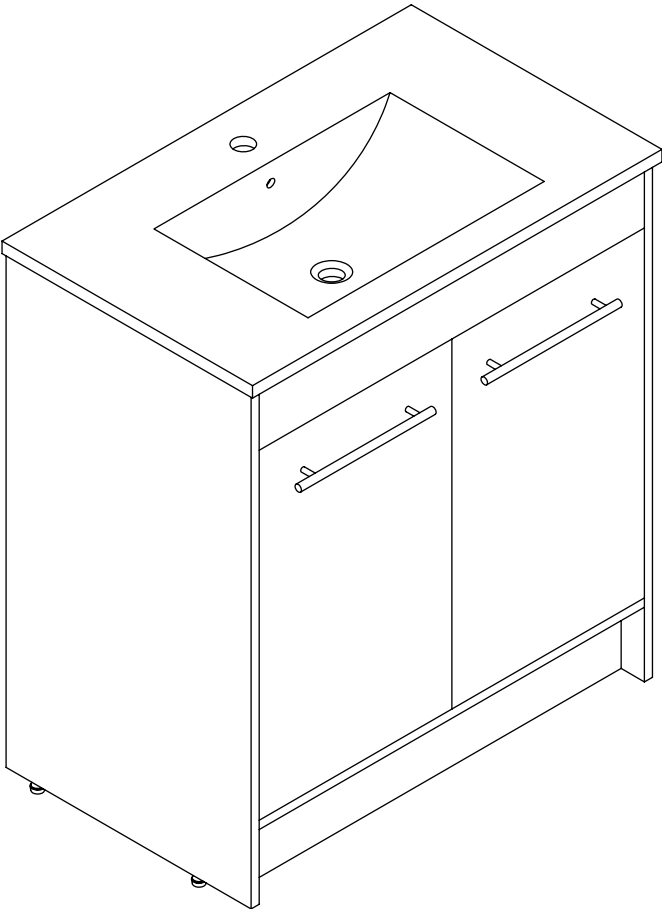
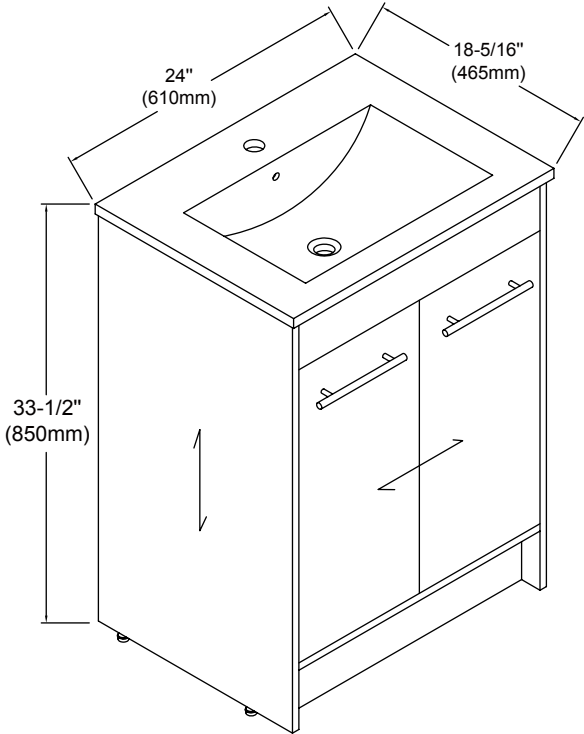
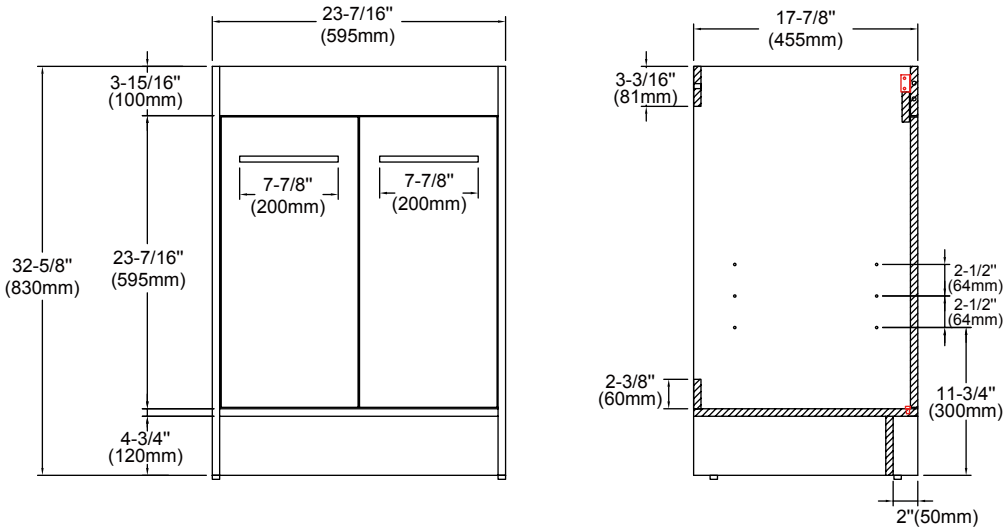


Bathroom Cabinet

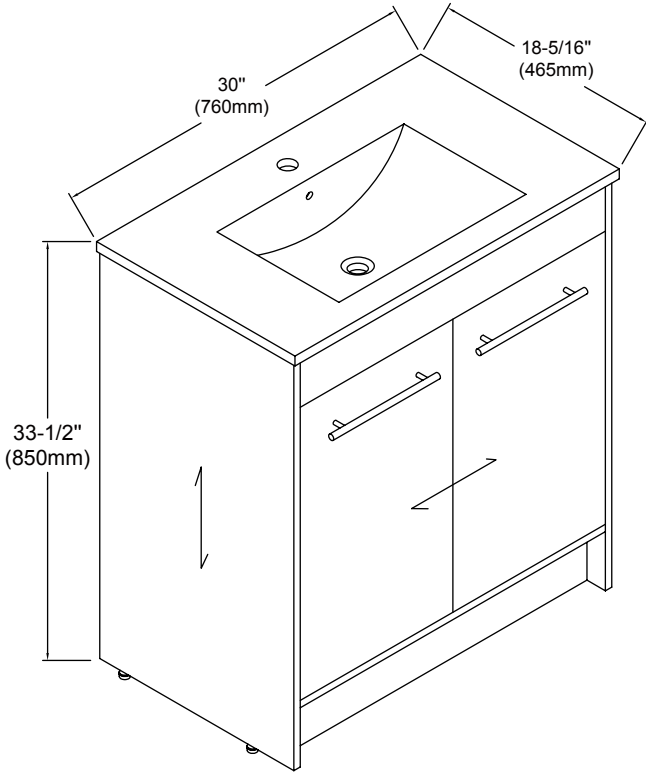
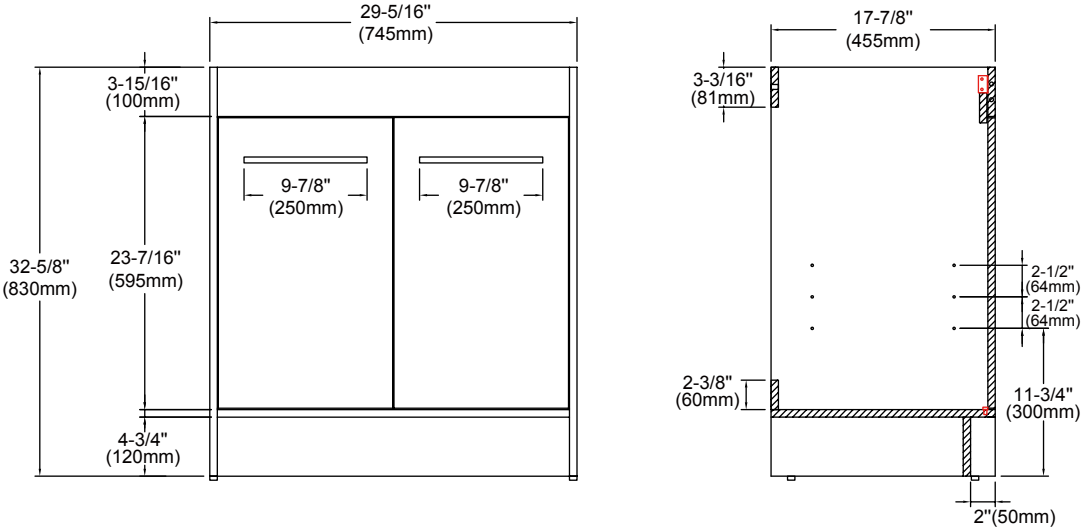
INSTALLATION GUIDE



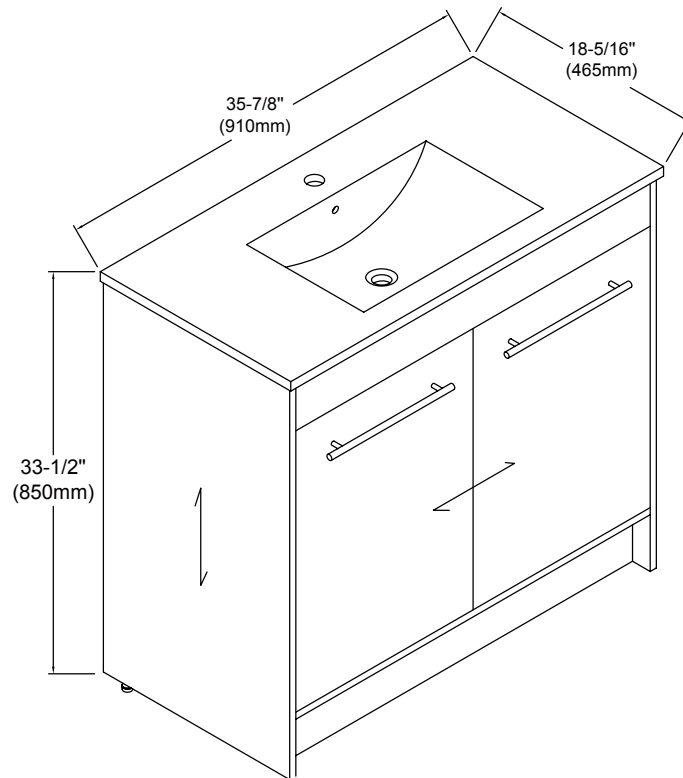
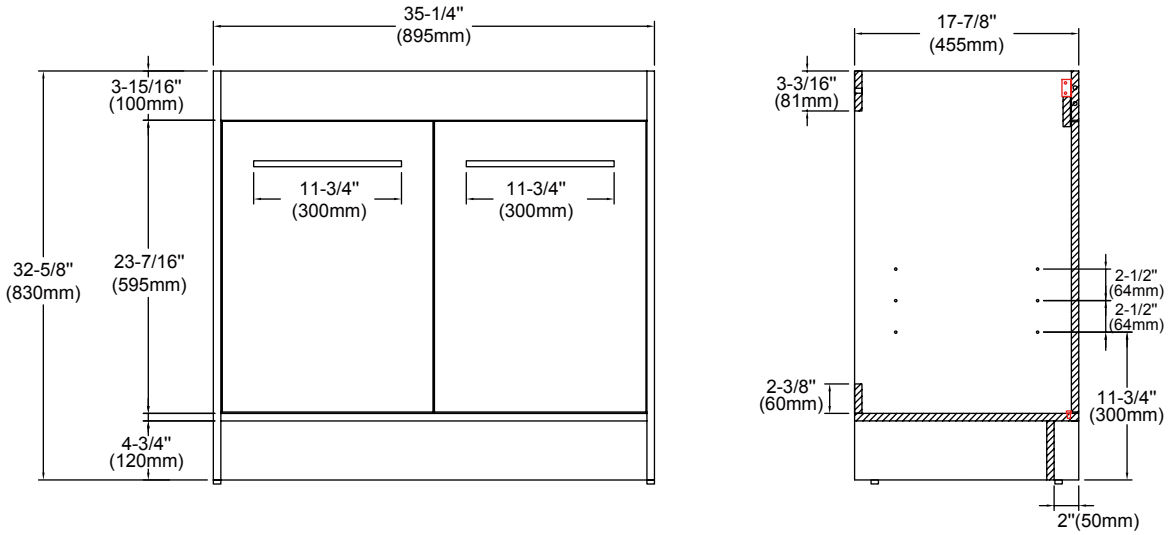
24" Vanity + Ceramic Basin Drawing



30" Vanity + Ceramic Basin Drawing



36" Vanity + Ceramic Basin Drawing

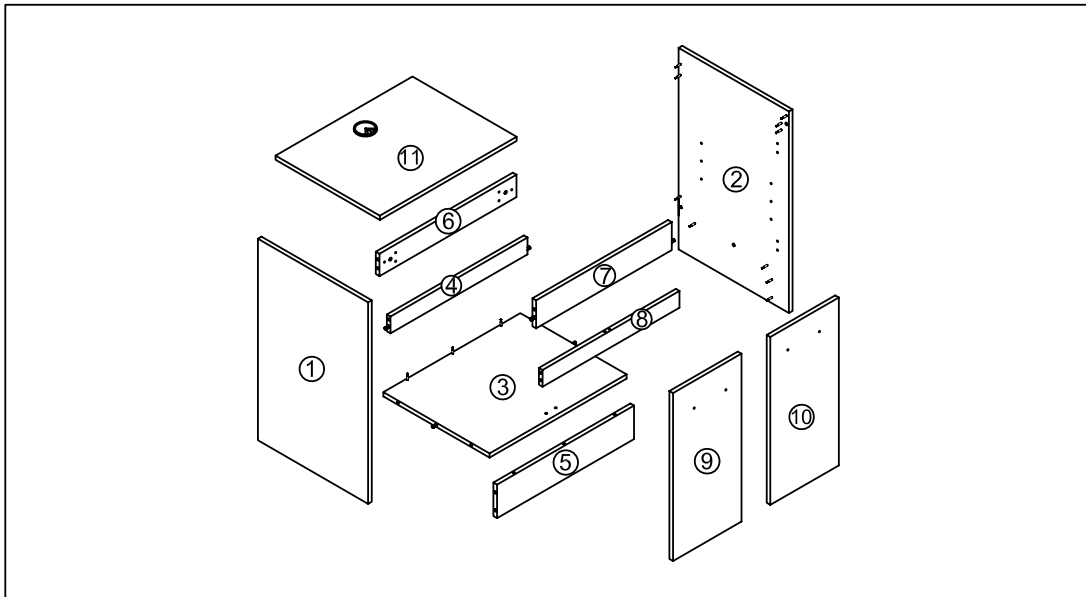


Hardware

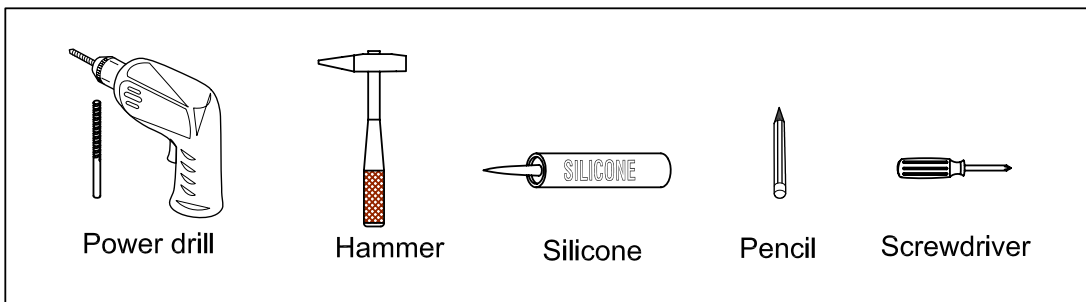
NO.	Draw	QTY
A	Screws Ø4x14mm	48
B	Two-in-one connector	26
C	Two-in-one connector	26
D	Wood plug	6
E	Plastic anchor(Ø10mm)	2
F	Screws for fix on the wall	2
G	Bracket (53x70x44mm)	2
H	Bracket (19x19x35mm)	2
I	Bracket (14x14x28mm)	1

NO.	Draw	QTY
J	Hinges	4
K	Handles	2
L	Screws M4x18mm	4
M	Anti-collision gasket	4
N	Adjustable feet	4
O	Door stopper	2
P	Movable laminate support	4
Q	Screwdriver	1

Components



Recommended tools You Will Need



Step 1

	x6
B	
	x6
C	
	x1
Q	

Notes: Screw installation depth as shown

Attention: Cam lock arrow point to the steel rod.

Step 2

	x5
B	
	x5
C	
	x2
D	
	x1
Q	

Note: The D parts are used for these two holes

first step

second step

third step

page 6









Step 3

	x5
B	
	x5
C	
	x1
D	
	x1
Q	

Step 4

Note: The D parts are used for these three holes

	x10
B	
	x10
C	
	x3
D	
	x1
Q	

<p>Step 5</p>		<ul style="list-style-type: none">  x2 G (∅4 x 14mm)  x12 A  x2 O  Tool
<p>Step 6</p>		<ul style="list-style-type: none">  x2 H  x1 I (∅4 x 14mm)  x12 A  Tool

Step 7

x4
J
 (∅4 x 14mm)
 x24
A

Tool

You can adjust the doors by tightening or loosening the screws on the hinge. →

Step 8

x2
K
 x4
L
 x4
M
 x4
N

Tool

page 9

