



## IMPORTANT INFORMATION

READ CAREFULLY.

KEEP THIS INFORMATION FOR FURTHER REFERENCE.

## GENERAL GUIDELINES

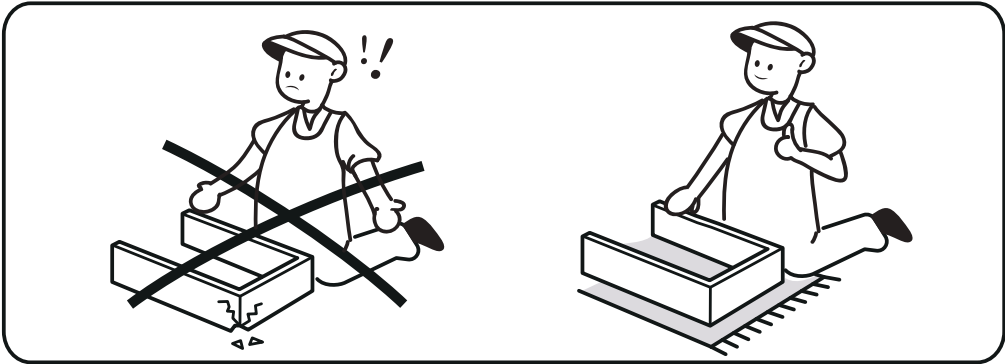
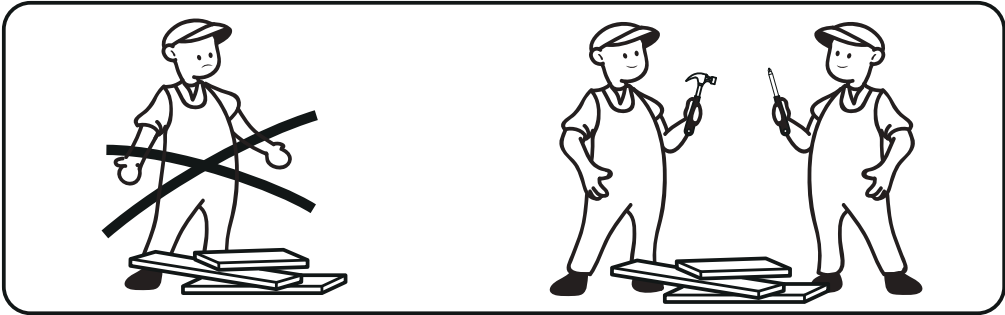
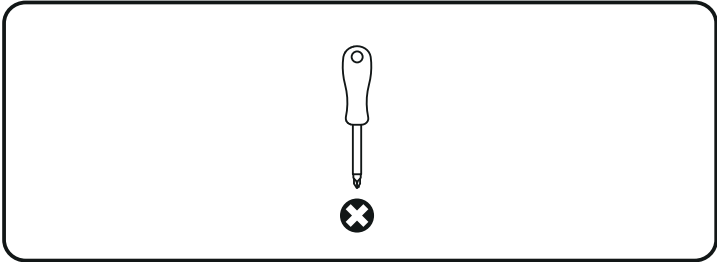
- Please read the following instruction carefully and use the product accordingly.
- Please keep this manual and hand it over when you transfer the product.
- This summary may not include every detail of all variations and considered steps. Please **contact us** when further information and help are needed.

## NOTES

- Please follow the assembly instructions precisely and only use the product as intended.
- If an odor is present when first opening the package, please leave the unwrapped product in a shaded and ventilated area for a few days to air out.
- Prior to assembly, please check the product for defects or missing accessories. If any defects are found or accessories are missing, do not use product as damage or injury may occur; Please **contact us** for assistance and replacement.
- It is suggested you regularly check the products bolts and connections to ensure safe use.
- Assemble the item on a soft flat and clean surface to avoid scratches and damage.
- It is recommended that two people assemble this product.

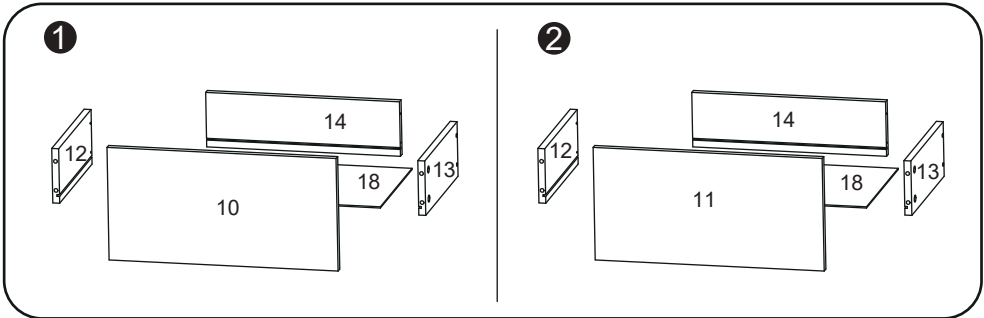
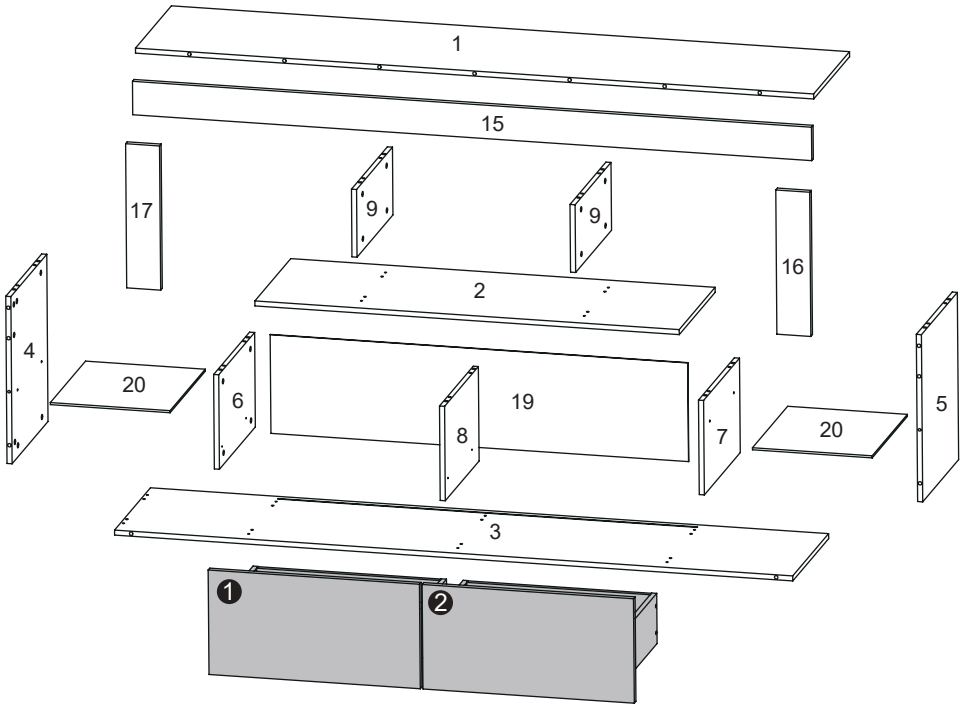
## WARNINGS

- During assembly, keep parts and packaging materials away from children and pets as there could cause injury and are a potential choking hazard.
- Avoid sharp objects or corrosive chemicals to prevent damage to the product.
- Please open the item slowly and cautiously to avoid pinching your hands by metal joints, especially children.




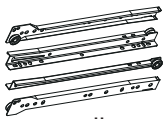









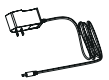






- If you have any further questions, please feel free to contact us
- We will reply ASAP.
- Before installation, please make sure you have all the hardware, the serial numbers are properly labeled corresponding to the list, and the quantity is correct.
  - Enjoy your new purchase!

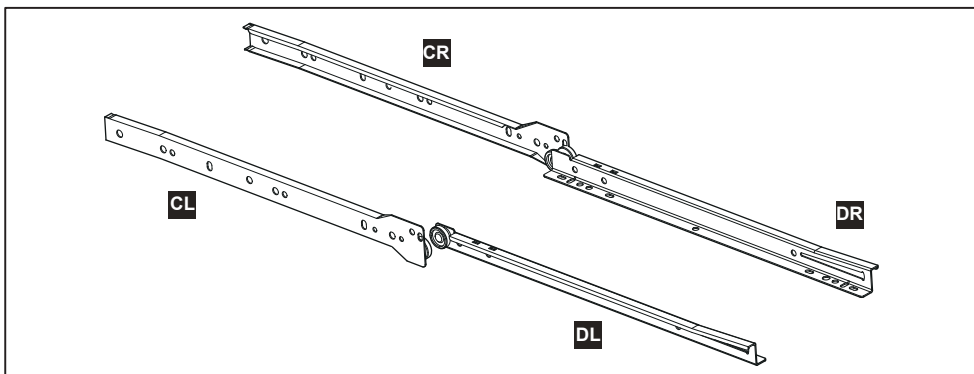
# EXPLODED DRAWING



# PARTS

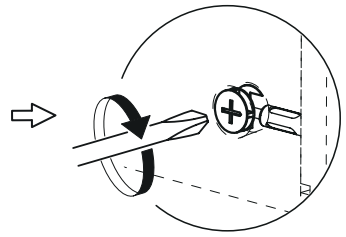
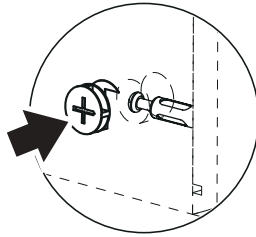
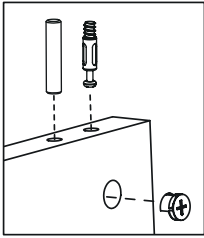
 <b>A</b> X51	 <b>B</b> X30	 <b>C</b> X51
 <b>D</b> X2  <b>CL</b> +  <b>DL</b> +  <b>DR</b> +  <b>CR</b>	 <b>E</b> X22 M4x25	 <b>F</b> X12
 <b>G</b> X8	 <b>H</b> X16 M4x10	 <b>I</b> X51
 <b>J</b> X1	 <b>K</b> X1	 <b>L</b> X1
 <b>M</b> X7	 <b>N</b> X1	

# REMARK



# REMARK

## MINIFIX POSITION

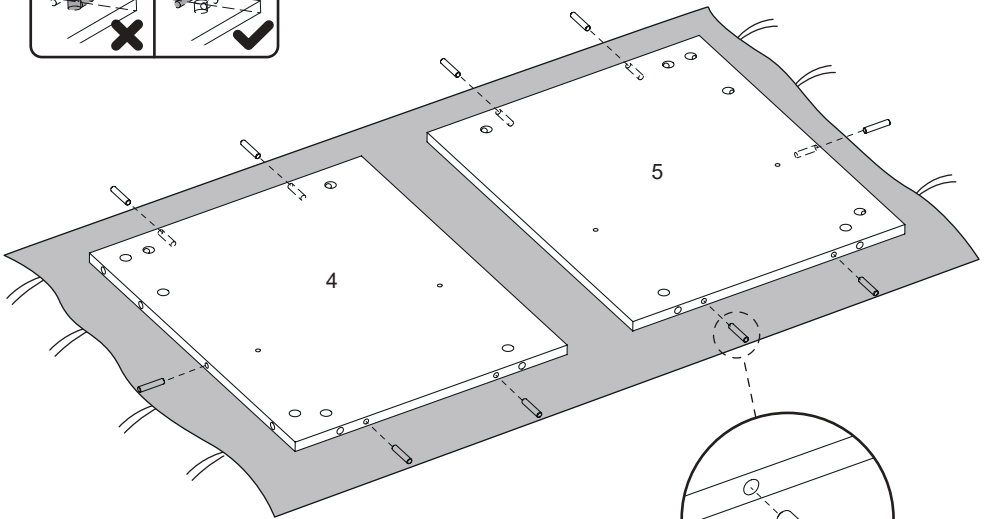
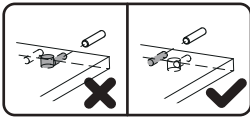


1



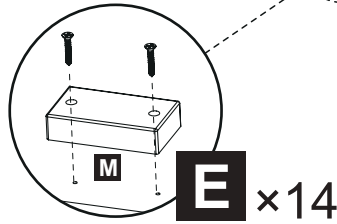
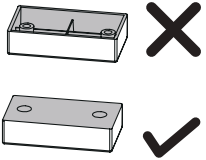
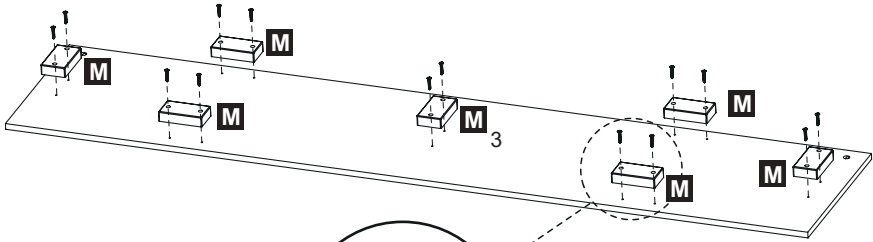
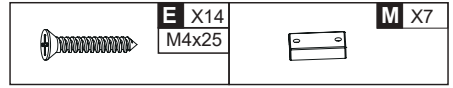
## REMARK

Put a blanket under the board to avoid scratch or damage.

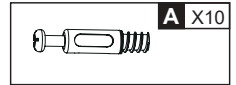


**B** x10

# 2

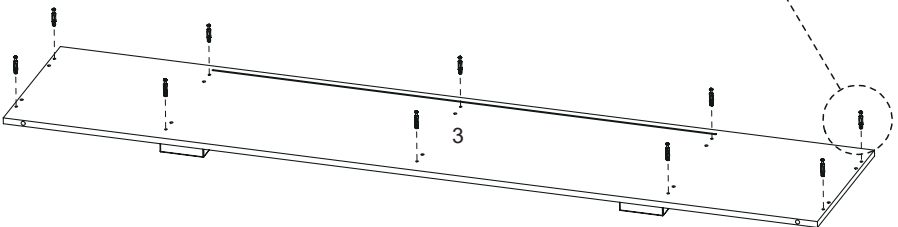
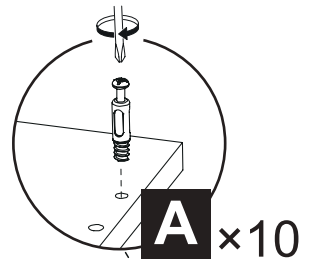
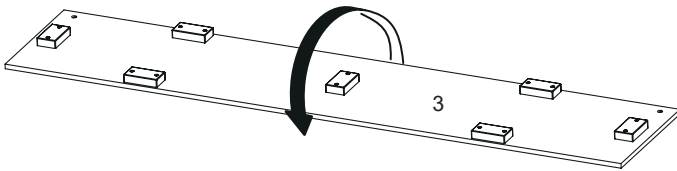
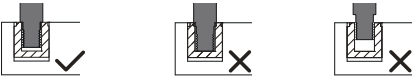


# 3

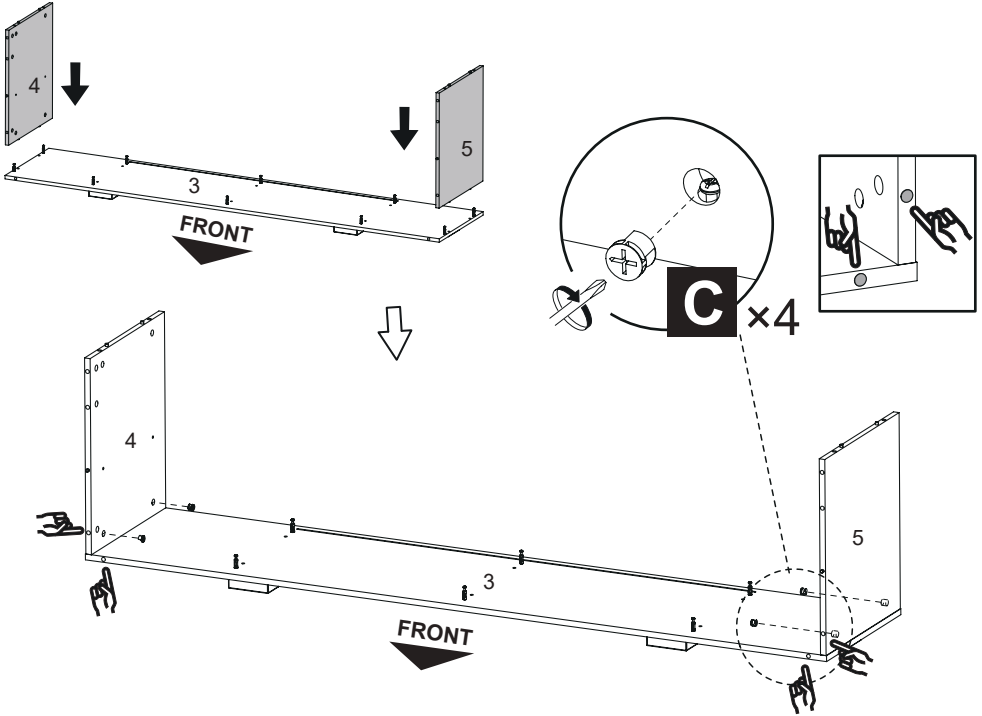


## REMARK

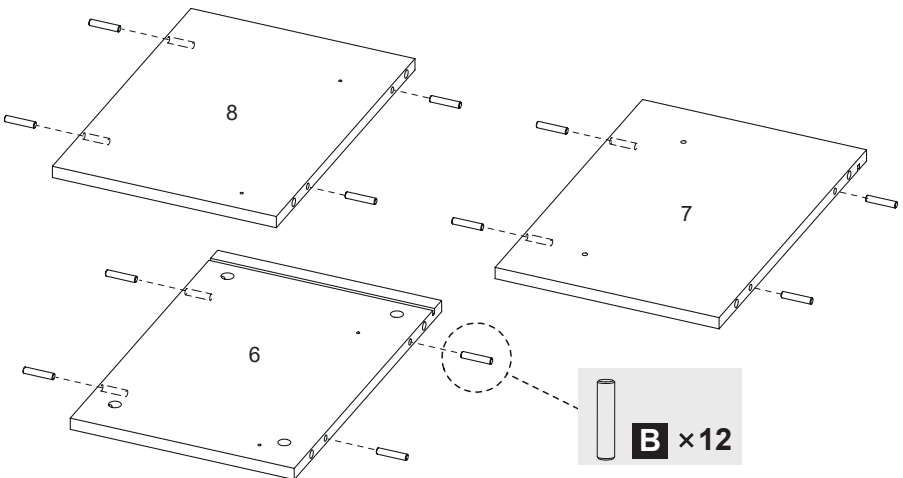
Please do not screw **A** too deep or too shallow.






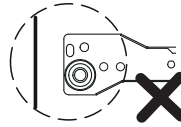
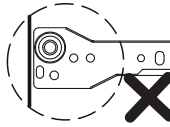
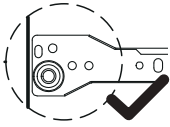
4



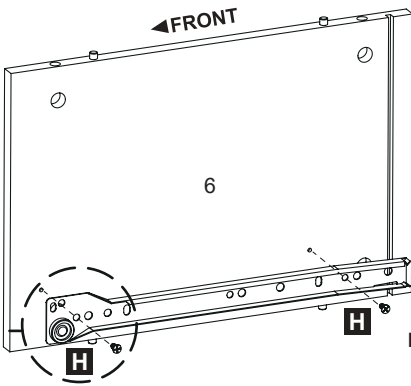
5



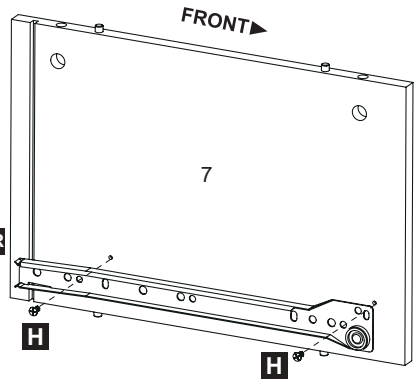
	<b>H</b> X4 M4x10	<b>CL</b> X1 
		<b>CR</b> X1 



TOP

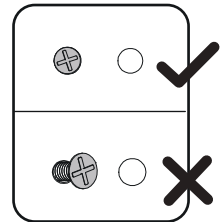
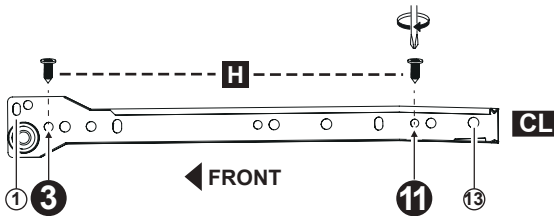


BOTTOM





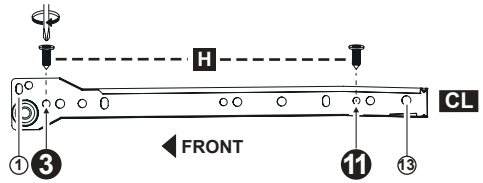
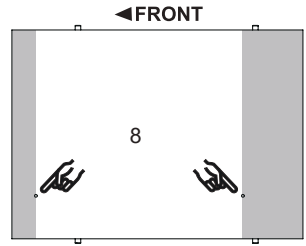
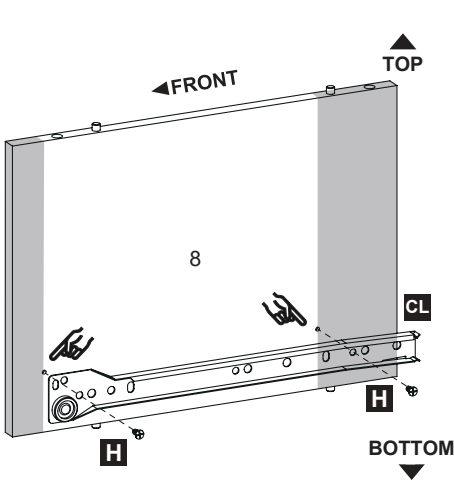
## REMARK

When installing, please make sure the screws are flattened, Not crooked; Otherwise the drawers will not be installed perfectly.





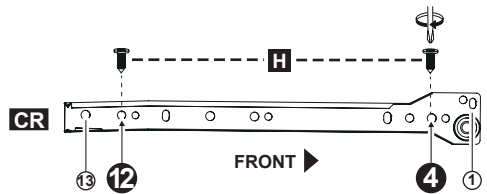
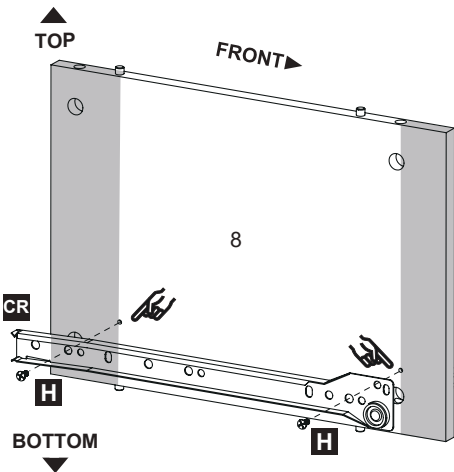
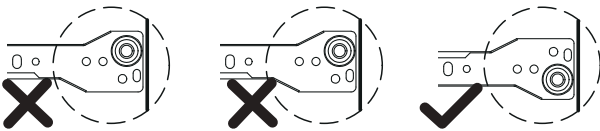
7

	<b>H</b> X2	<b>CL</b> X1
	M4x10	

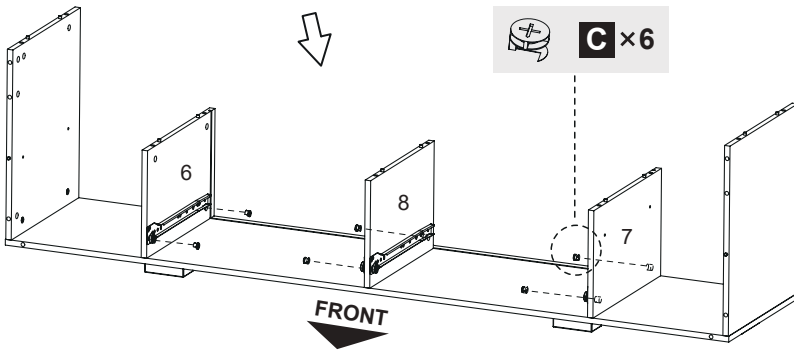
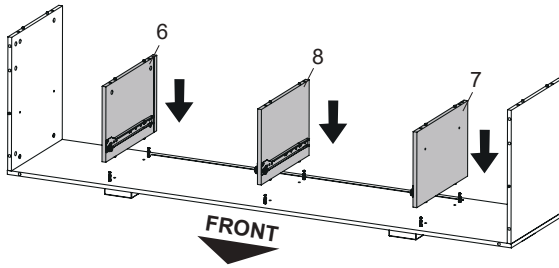


8

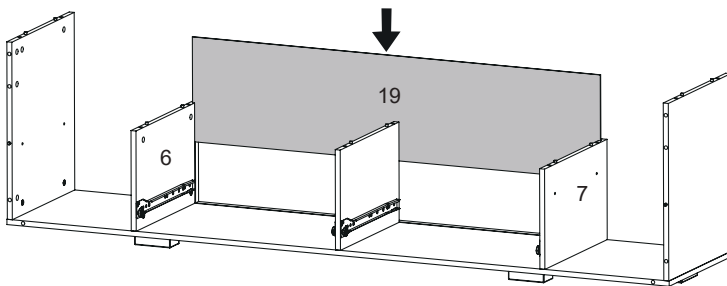
	<b>H</b> X2	<b>CR</b> X1
	M4x10	



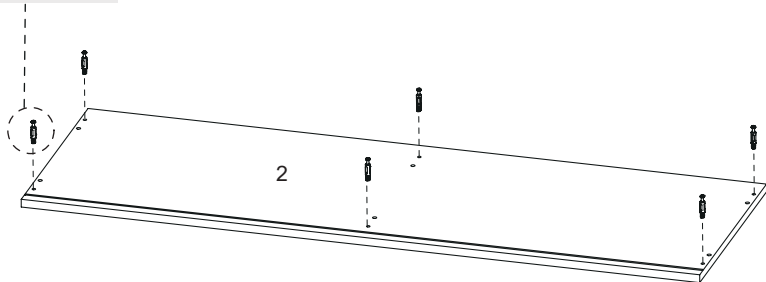
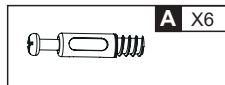
9



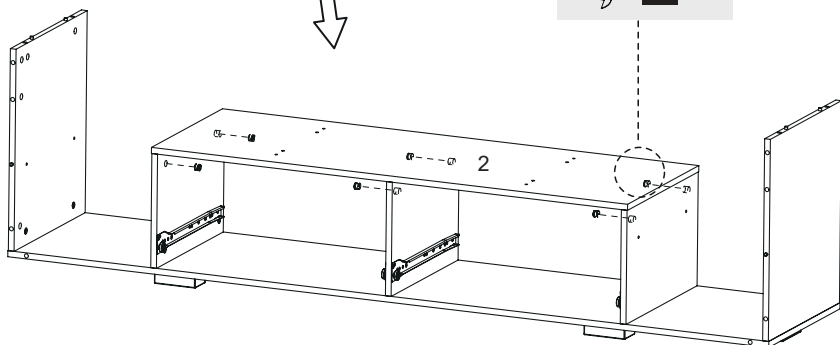
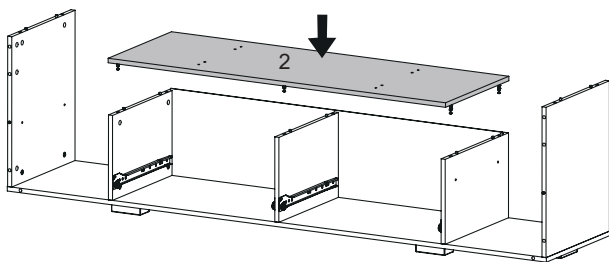
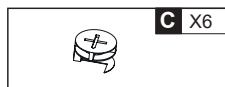
10



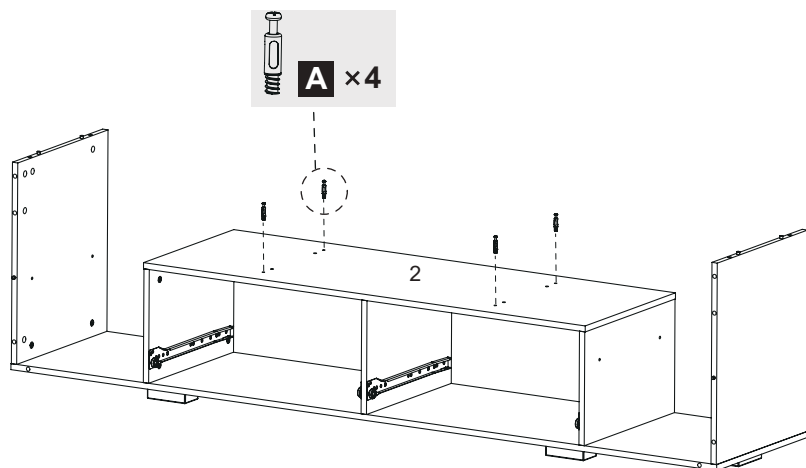
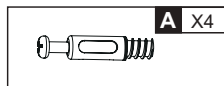
11



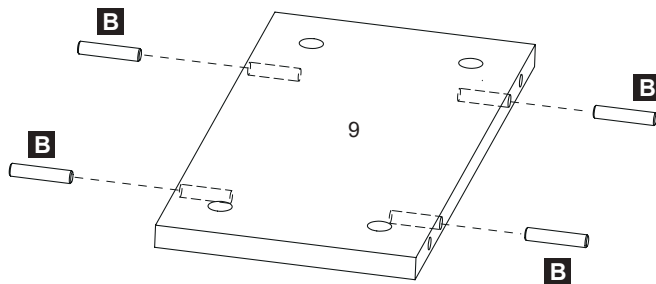
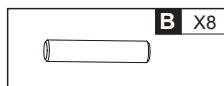
12



13

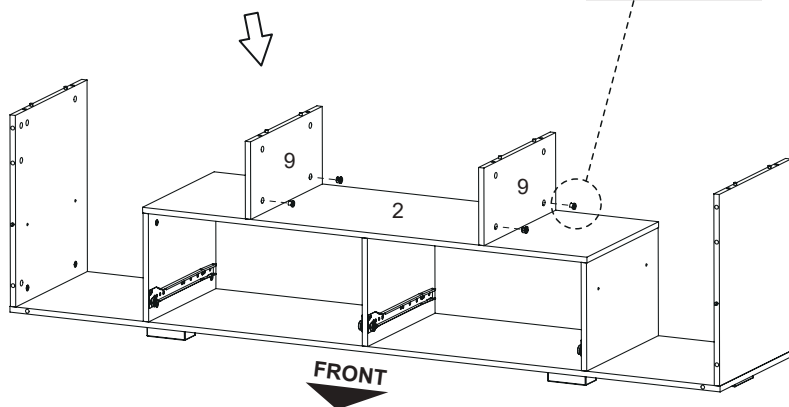
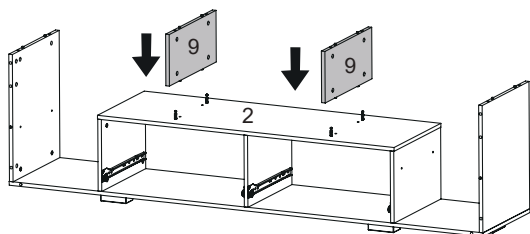
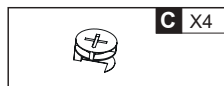


14

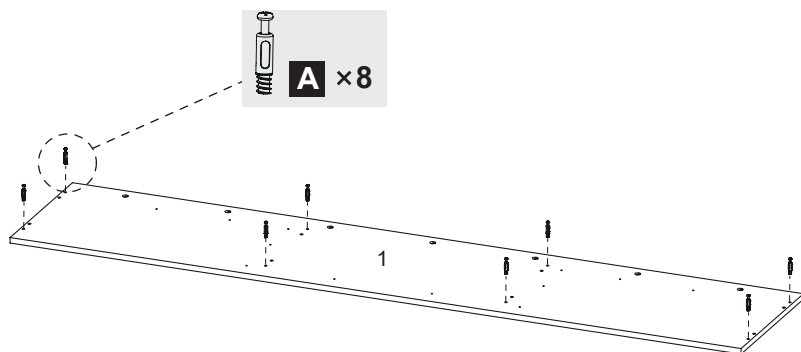
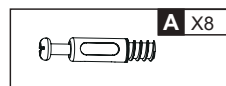


×2

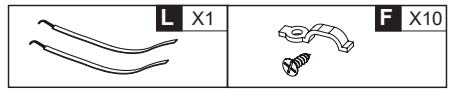
15



16

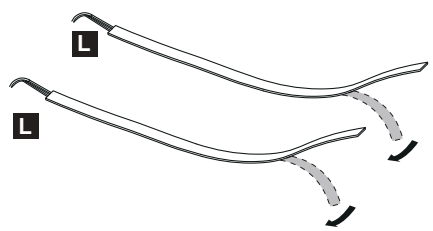


# 17

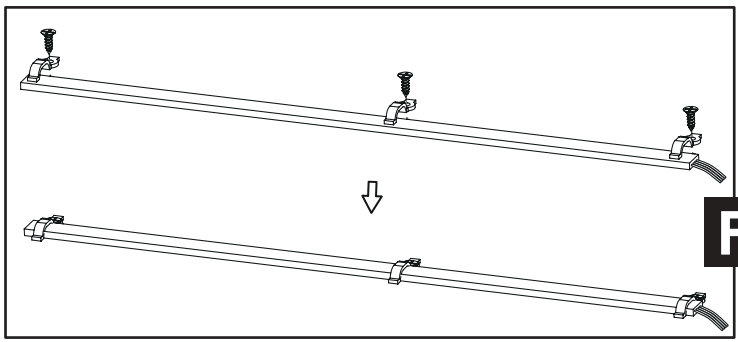
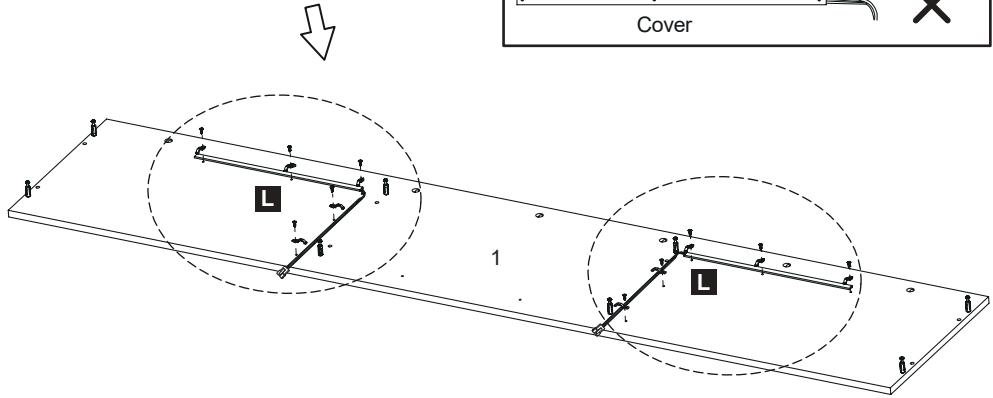


## REMARK

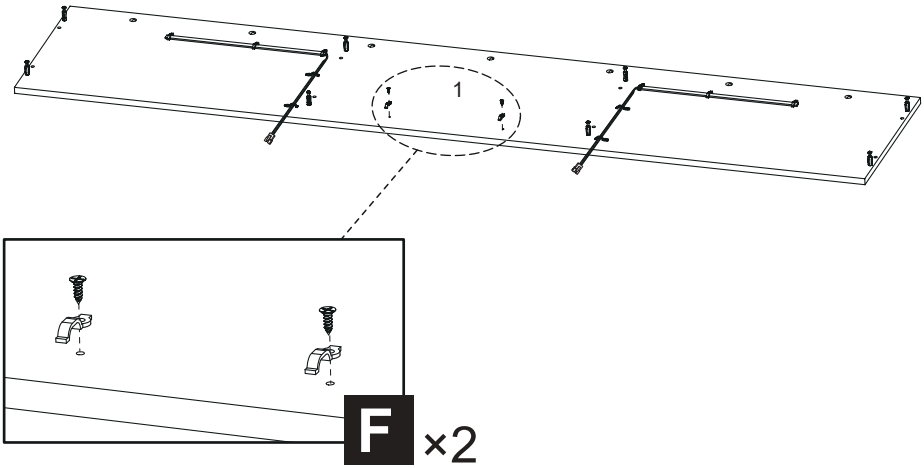
Peel off the fixing adhesive on the back of the **L** part .



CORRECT LOCATION	
	✓
	✗
	✗



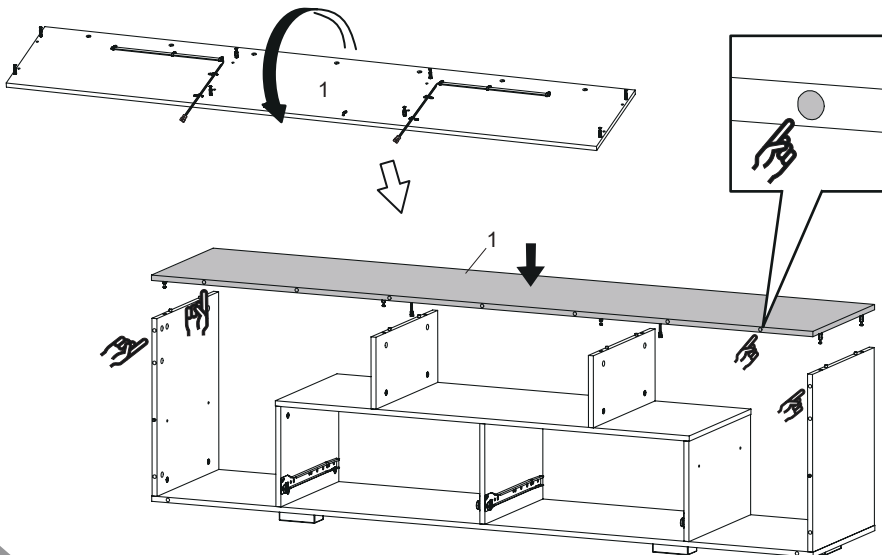
18



19

**REMARK**

Please be careful not to pinch the wires when installing.



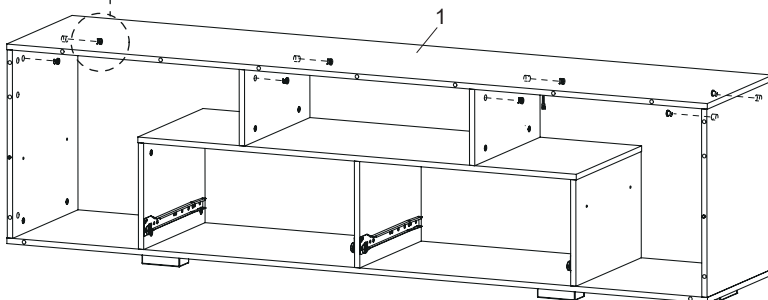
20



C X8



C X8



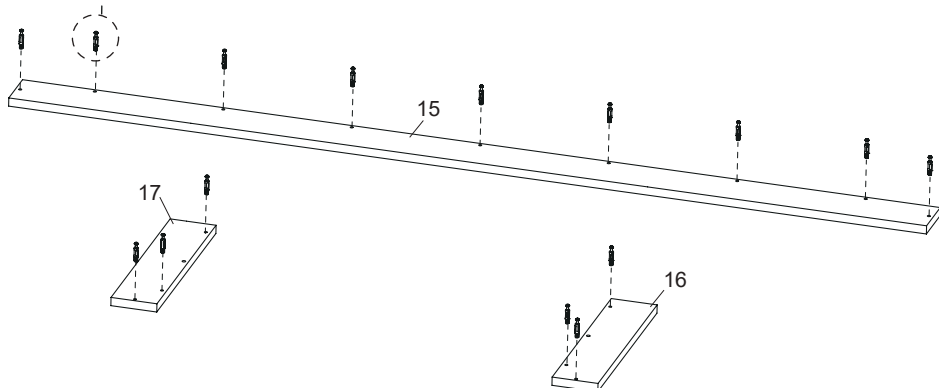
21



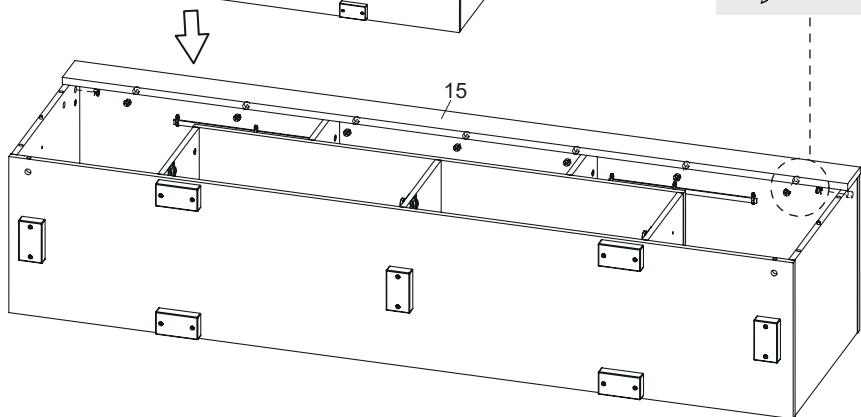
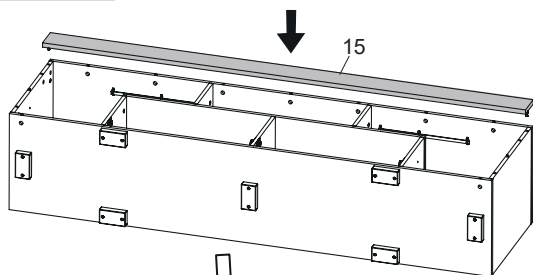
A X15



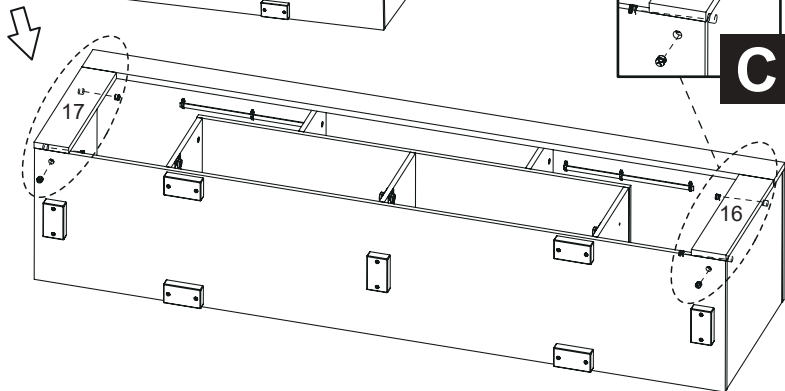
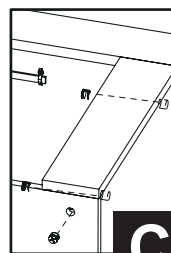
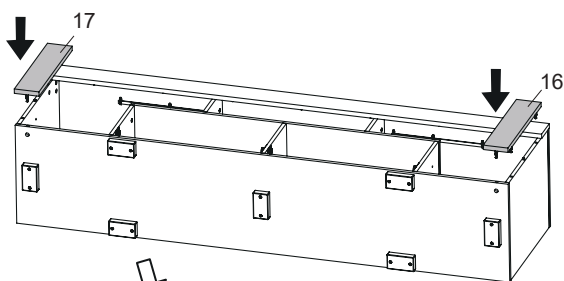
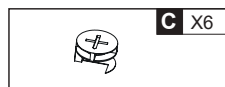
A X15



22

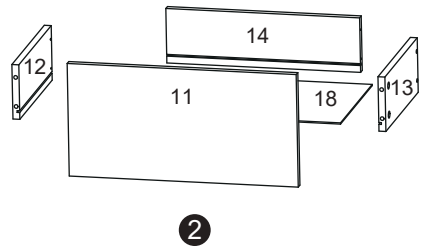
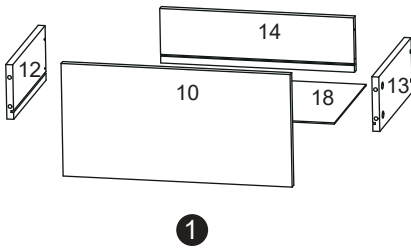


23

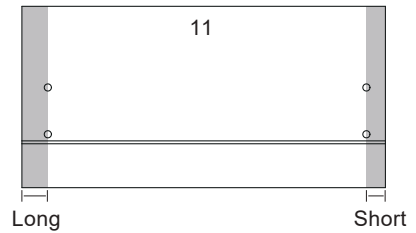
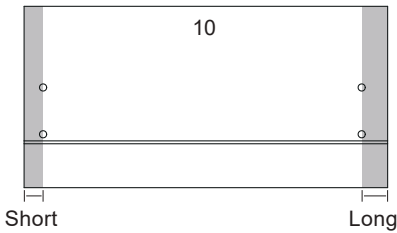


## REMARK

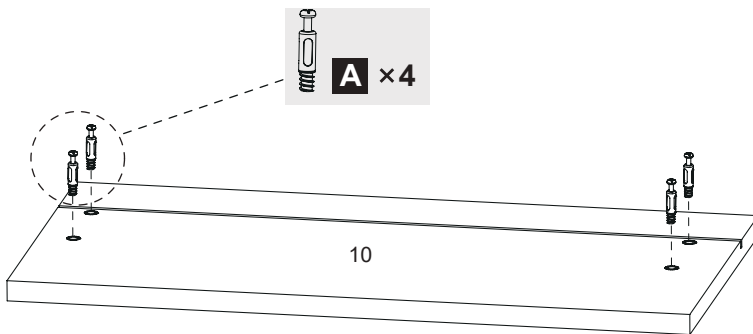
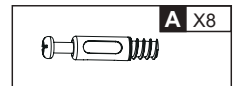
1. The installation are the same for 2 drawers, please refer to the first drawer for the installation method.



2. The difference between **10** and **11**.



# 24



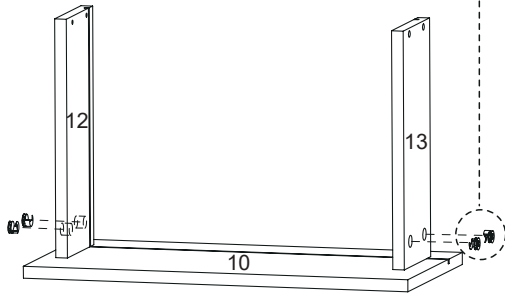
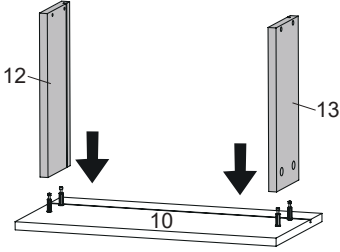
**x2**

# 25



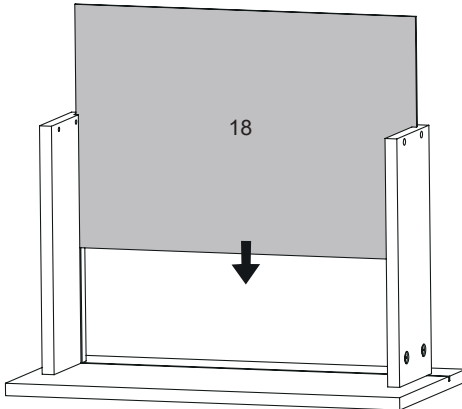
## REMARK

The installation are the same for 2 drawers, please refer to the first drawer for the installation method.





×2

# 26

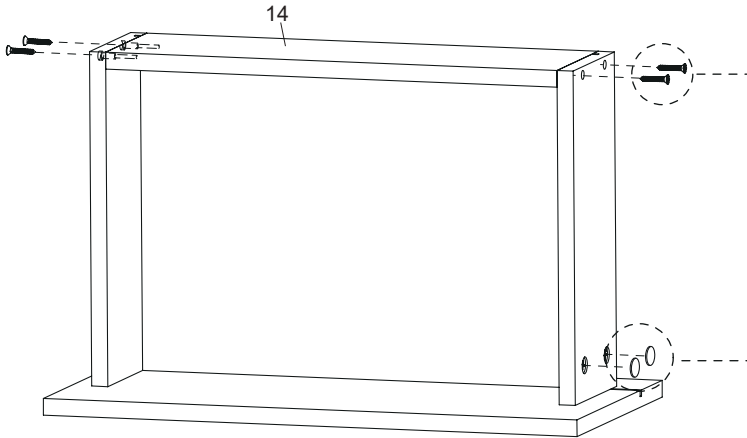
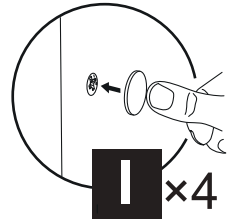
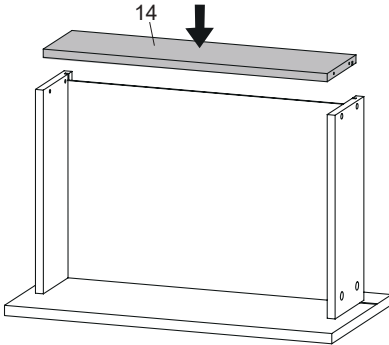


×2

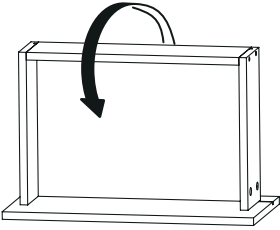
	<b>E</b> X8		<b>I</b> X8
	M4x25		




**REMARK**

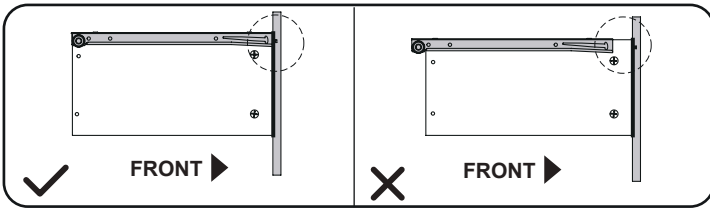
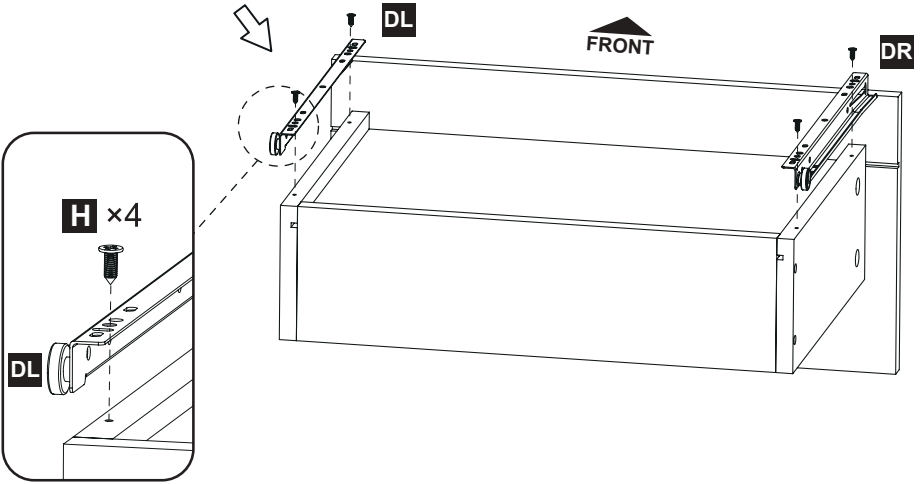
Please do not fully tighten screws until all screws are in place.



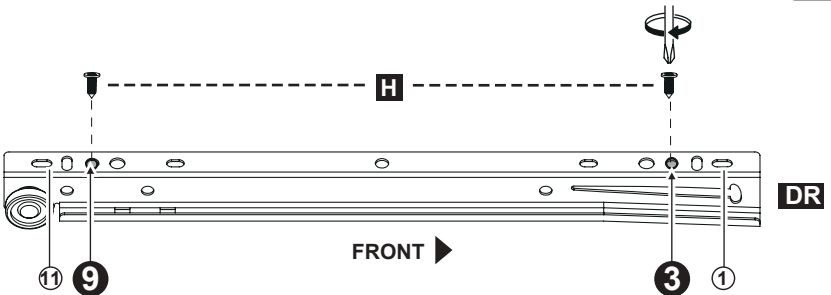
**x2**



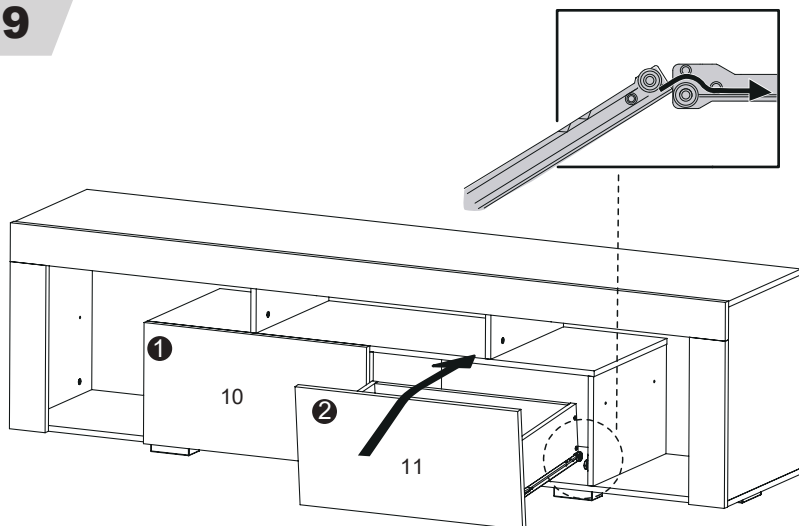
	<b>H</b> X8 M4x10	<b>DR</b> X2
		
		<b>DL</b> X2
		



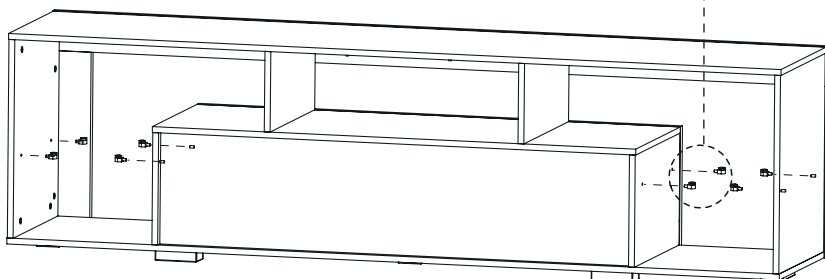
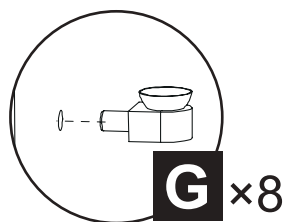
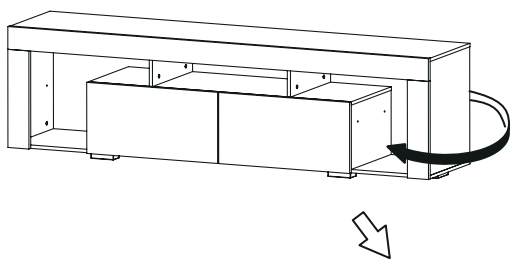
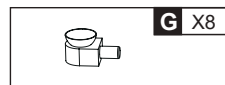
x2



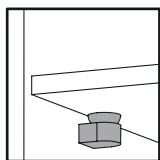
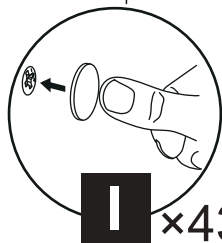
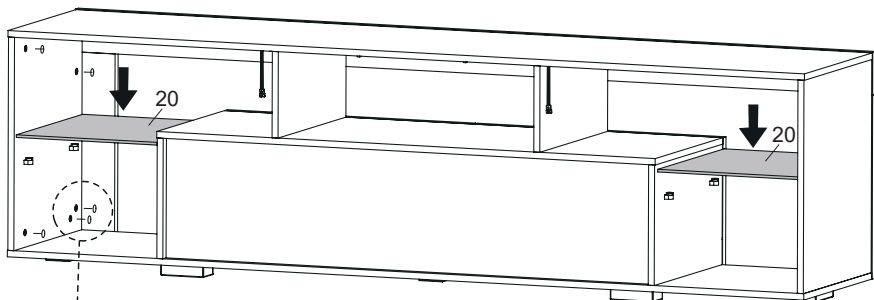
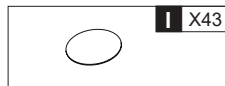
29



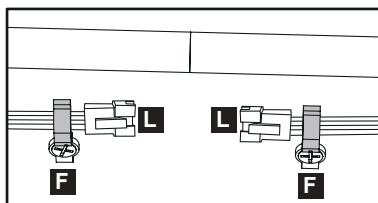
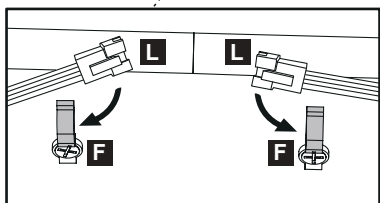
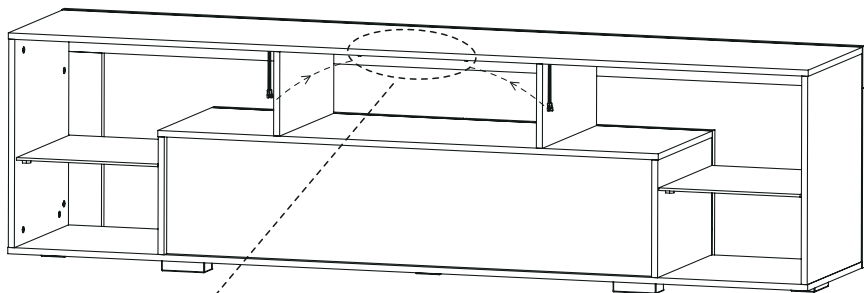
30



31



32

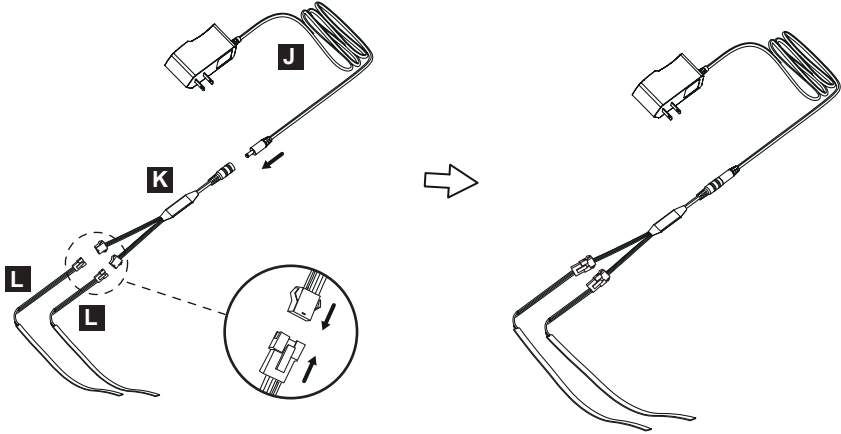


# Wiring Instruction

## REMARK

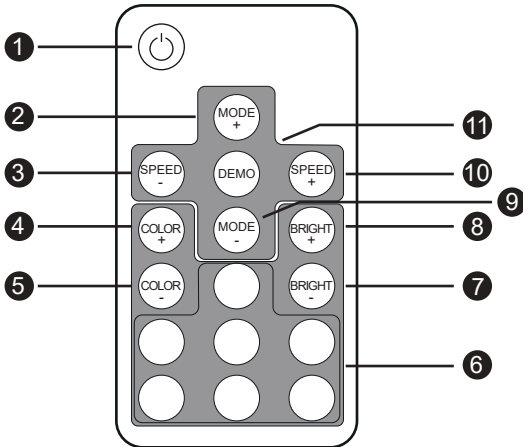
Wiring as shown in the picture.

Note that the arrows at the connection need to be on one side.



# Remote Control Instruction

- 22 Dynamic Modes
- Very Smooth Effects
- Brightness Adjustable
- Ultra Slim Design
- 20 Static Colors
- Speed Adjustment
- Card Type RF Remote
- Dynamic Demo Mode
- Easy Remote Pairing
- Direct Color Select



1. Turn On/ Standby
- 2/9. Dynamic Mode Adjust
- 3/10. Dynamic Speed Adjust
- 4/5. Static Color Adjust
6. Direct Color Select
- 7/8. Brightness Adjust
11. Demo Mode