

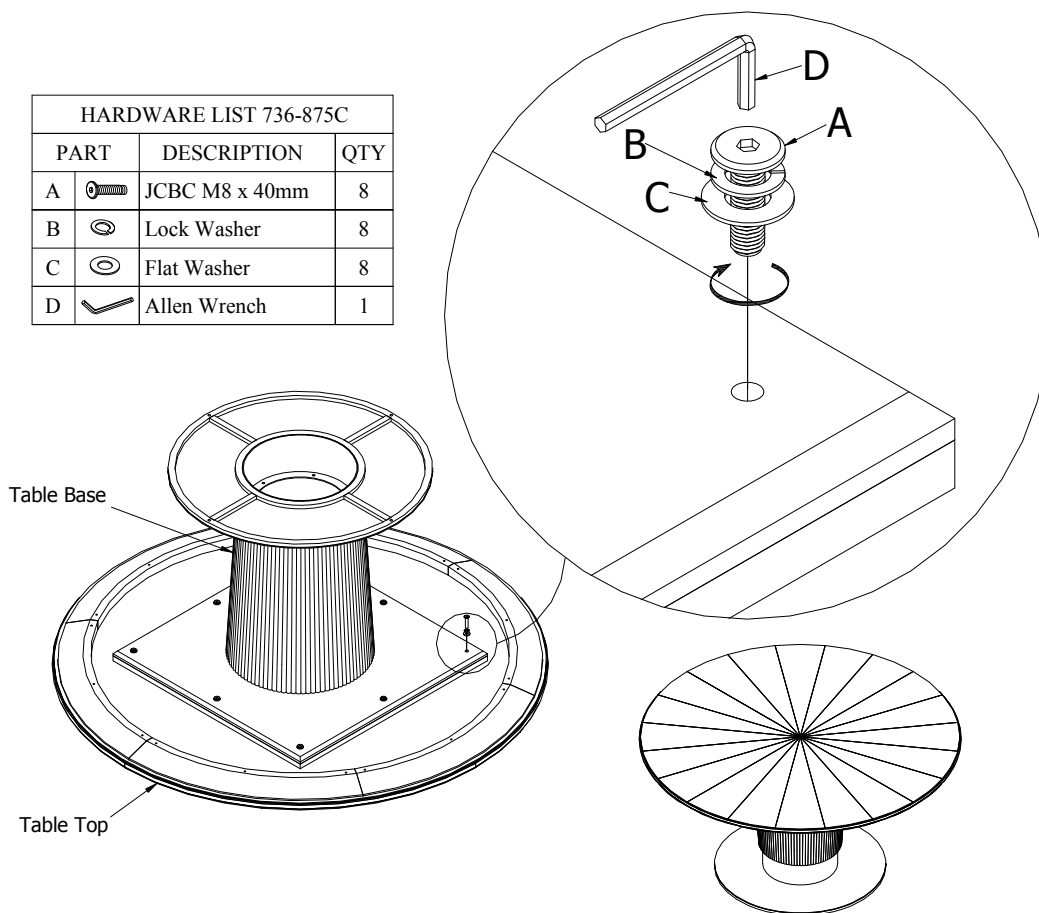
LEXINGTON®

H O M E B R A N D S

ASSEMBLY INSTRUCTIONS

736-875C Waldorf Round Dining Table

HARDWARE LIST 736-875C			
PART		DESCRIPTION	QTY
A		JCBC M8 x 40mm	8
B		Lock Washer	8
C		Flat Washer	8
D		Allen Wrench	1



1. Place table top upside-down on flat, clean, non-marring surface.
2. Position table base on table top so that holes on base align with holes on top.
3. Use Allen Wrench (D) to attach base to top with (8) of each: Flat Washers (C), Lock Washers (B), and Bolts (A). Fully tighten all bolts.
4. Return assembled table to its upright position and place in desired location.