

Installation Manual

- 1、 Please read this manual thoroughly before installation and follow the steps in the correct order.
- 2、 After opening the package, inspect the product for any damage. Tools required for installation are not included and should be prepared separately.
- 3、 This manual contains important installation instructions. Please keep it in a safe place for future reference.
- 4、 The dimensional drawings in this manual are for reference only. Actual product dimensions may vary.

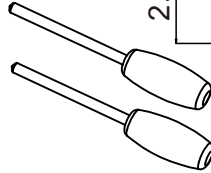
Recommended Tools:



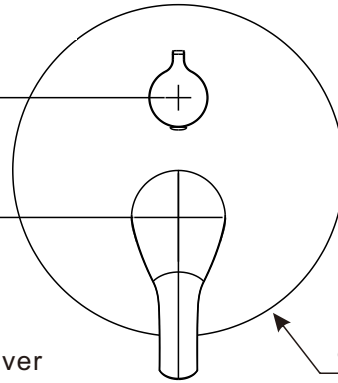
Thread seal tape



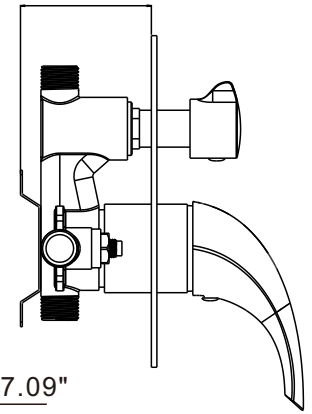
Hex key



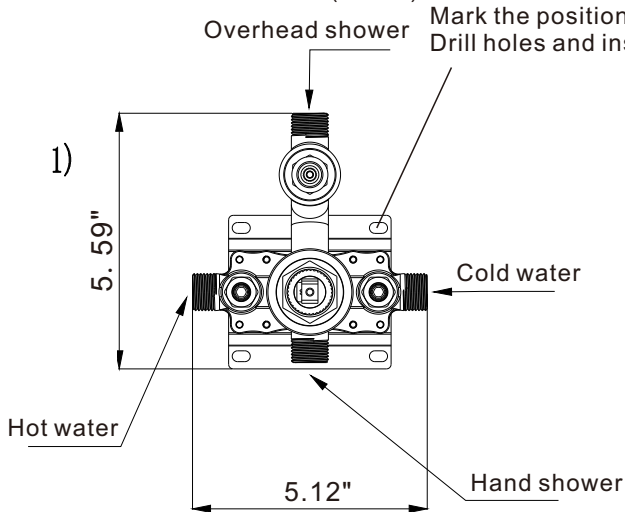
Flathead screwdriver
Phillips screwdriver



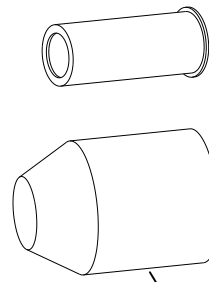
2.56"-2.95"



- 1、 Ensure all debris is cleared from the pipe joints and connection surfaces before installation to prevent blockage or leakage.
- 2、 Connect the water supply lines correctly: hot water to the left inlet and cold water to the right inlet.
- 3、 The maximum temperature of hot water should not exceed 80°C (176°F).



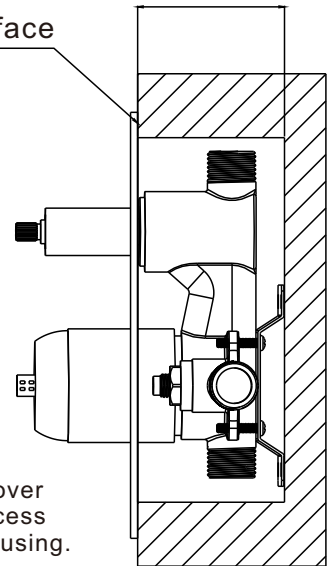
Mark the positions for the screw holes on the wall.
Drill holes and install the concealed body into the wall.



Do not remove the protective cover during the wall-embedding process to avoid damaging the brass housing.

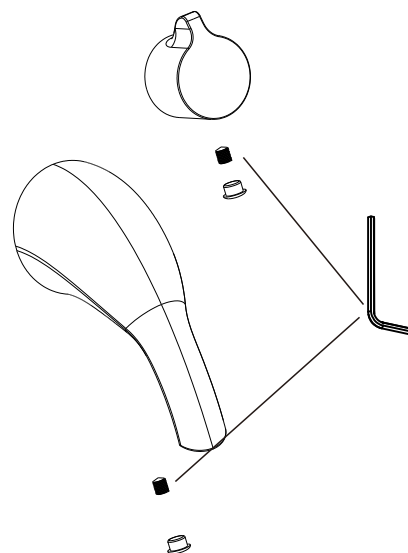
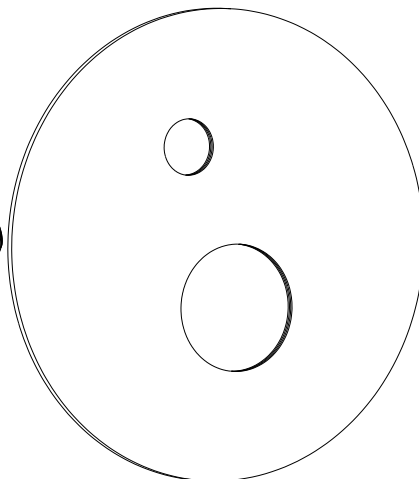
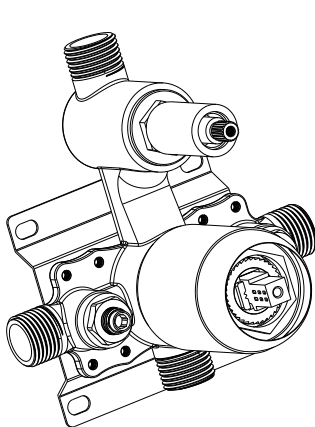
Tile surface

2.56"-2.95"



2) After Wall Embedding, Install in the Following Sequence:

- 1.Remove the protective cover.
- 2.Attach the decorative panel.
- 3.Install the handle as shown in the diagram.



Hex key