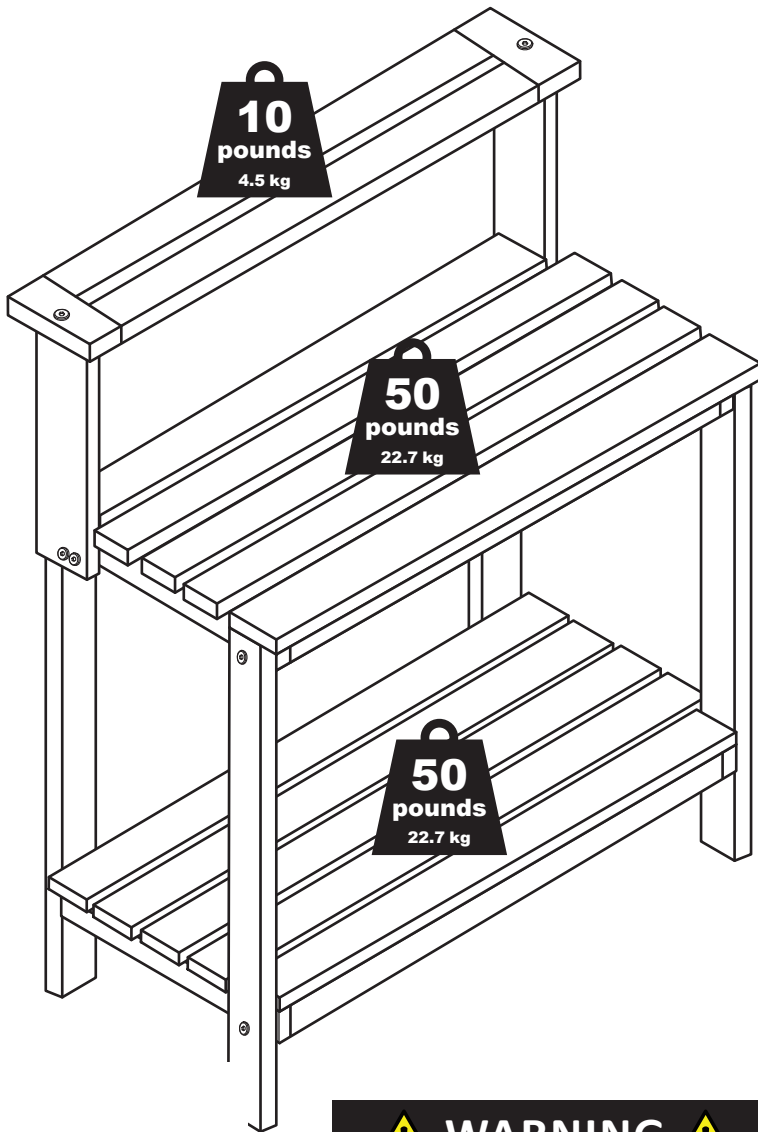




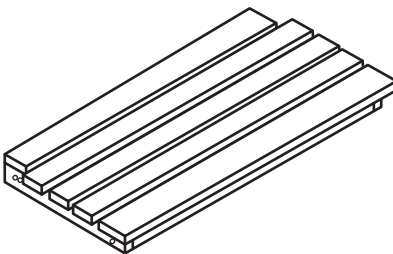
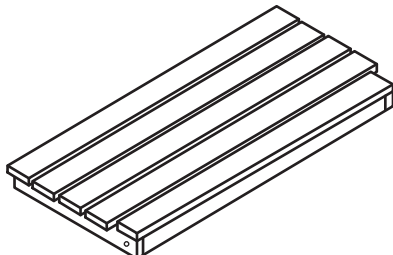
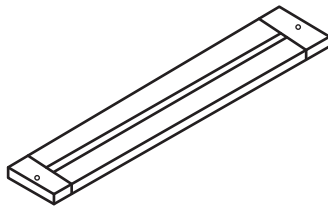
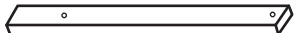
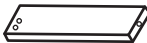

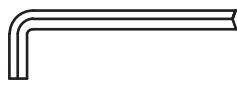
Thank you for choosing . We stand behind our brand and the quality of the items we sell. Replacement parts or products can be requested with the 1-year warranty period. Proof of purchase must be provided. This includes the date of the purchase as well as photos of the product defect. Photos are used to determine the cause of the defect and to provide future quality control. The request will be reviewed, and replacement pieces will be sent at our discretion.

OUTDOOR POTTING BENCH

Review all assembly and care information before using this product. Save this manual for future reference.
Assemble components on a soft, clean surface to avoid damaging the finish.



 Inspect packaging to ensure all parts are accounted for before disposing of packing materials.
 Save the packing slip.

No.	PARTS	QTY.
A	 Work Surface	1
B	 Bottom Shelf	1
C	 Top Shelf	1
D	 Leg	4
E	 Shelf Support	2
F	 JCBC M6x40mm	14
G	 Hex Key	1

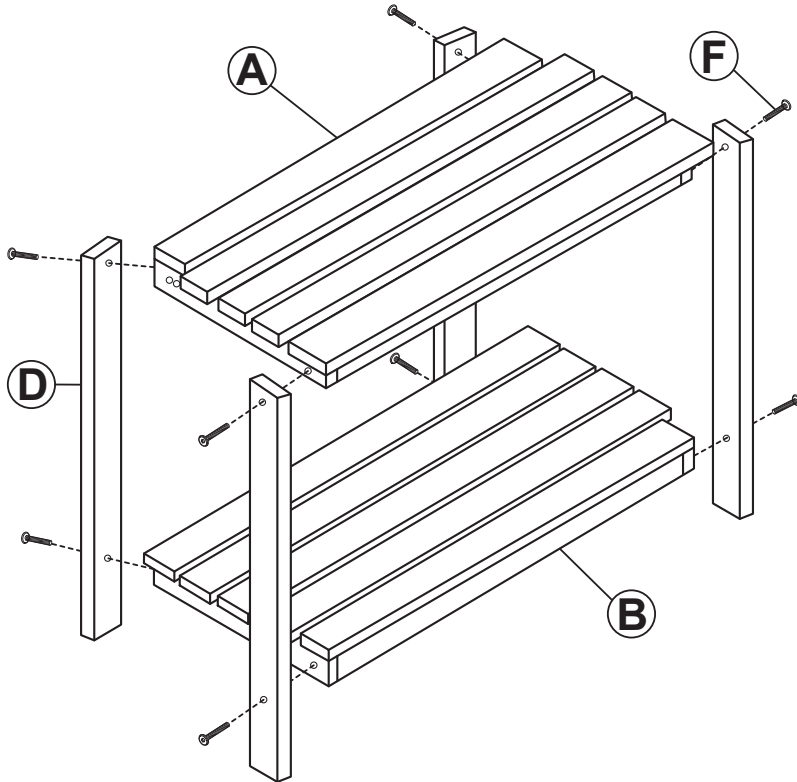
⚠ WARNING ⚠
CHOKING HAZARD — This item contains small parts that can be swallowed. Keep children and pets away during assembly.

⚠ WARNING: Manufacturer and seller expressly disclaim any and all liability from personal injury, property damage or loss, whether direct or indirect, or incidental, resulting from the incorrect attachment, improper use, inadequate maintenance, or neglect of this product.

ASSEMBLY

Review all steps and understand assembly before beginning.

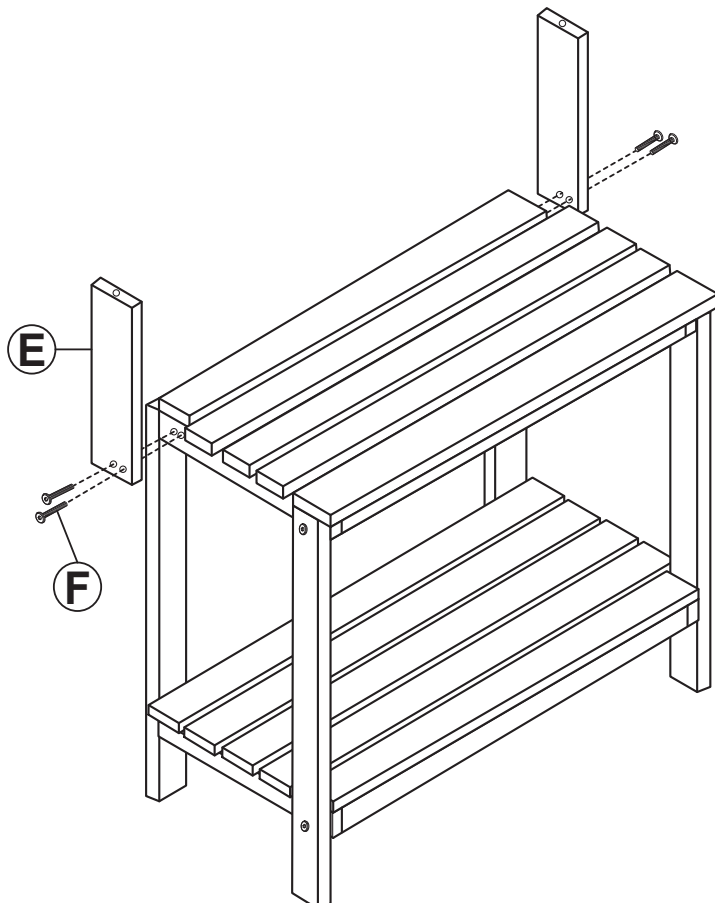
Do not fully tighten hardware until all components have been loosely assembled.



STEP 1

Align the holes of four Leg (D) with Bottom Shelf (B) and loosely fasten using four M6x40mm Bolts (F).

Attach Work Surface (A) to four Legs (D) by hand-tightening four M6x40mm Bolt (F).

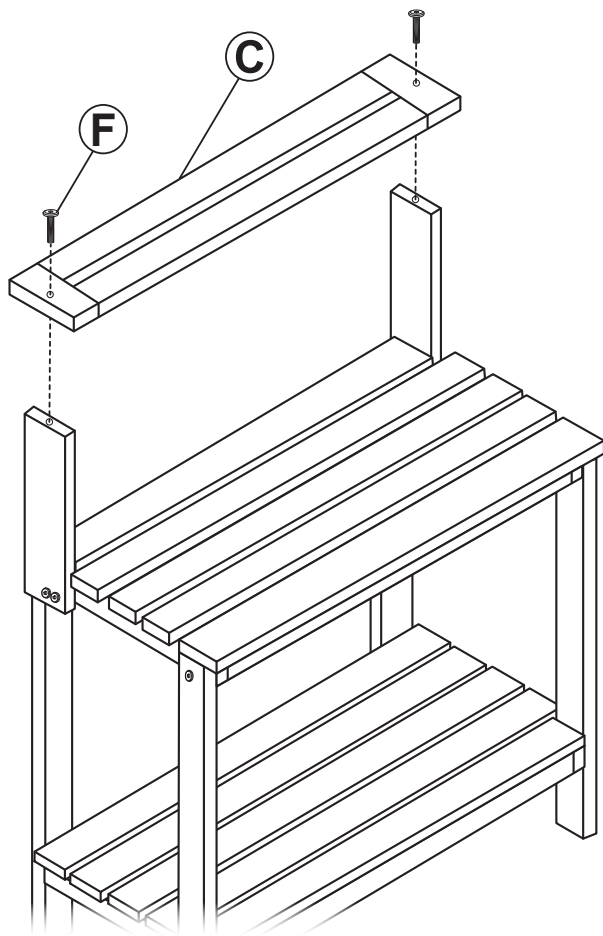


STEP 2

Align the holes on the bottom of Shelf Support (E) with the holes on the side of the work surface.

Loosely secure Shelf Support (E) to the work surface by hand-tightening two M6x40mm Bolts (F).

Repeat this step on the opposite side of the potting bench.



STEP 3

Place Top Shelf (C) onto the shelf supports.
Secure Top Shelf (C) with two M6x40mm Bolts (F).
Finish tightening all bolts.

Care & Maintenance

SAFE USE: For residential use only. Only use on a flat, level surface. Never climb, sit or stand on any part of this unit.

CLEAN: Identify the direction of the woodgrain. Following the direction of the woodgrain, wipe surfaces with a soft cloth.

EXPOSURE: Over time, sunlight and weather elements may degrade and change the color of this product. Damage caused by exposure to weather elements is not cause for return and is not covered under the manufacturer warranty. Avoid leaving wooden furniture in the rain or high-humidity climates as wood can expand and contract with humidity changes; periodically check hardware and tighten as necessary.

MAINTENANCE: The wood was treated with teak oil at the factory. Apply a suitable wood oil (not included) at least once a year, or when the wood looks particularly dry. Follow application instructions as provided by the manufacturer.

WINTER CARE & STORAGE: Cover and store furniture indoors during the winter to protect it from ice and snow. Doing so will preserve the appearance and integrity of the unit.

WARNING: THE ONE-YEAR WARRANTY DOES NOT COVER DAMAGES OR DEFECTS CAUSED BY THE APPLICATION OF CHEMICAL TREATMENTS, PROTECTIVE COATINGS, TOUCH-UP PAINT, OR CLEANING PRODUCTS.

! SAFETY STATEMENTS & WARNINGS !

- Do not sit, stand, or climb on any part of this unit.
- Do not exceed the weight capacity of the unit.
- Do not put hot items on or near furniture.
- Keep furniture a safe distance from heat sources such as fire pits, patio heaters, and grills.
- Do not use harsh chemicals or abrasive materials to clean this unit.
- This product is for residential use only; institutional or commercial use will automatically void the product warranty.

Any modification to the product or failure to follow recommended care will void the product warranty.

If you experience issues with assembly or the product was damaged during shipping, please contact our customer service team through one of the methods mentioned at the top of page 1. Please have the item number and order information ready to expedite response time.

! WARNING:

Manufacturer and seller expressly disclaim any and all liability from personal injury, property damage or loss, whether direct or indirect, or incidental, resulting from the incorrect attachment, improper use, inadequate maintenance, or neglect of this product.