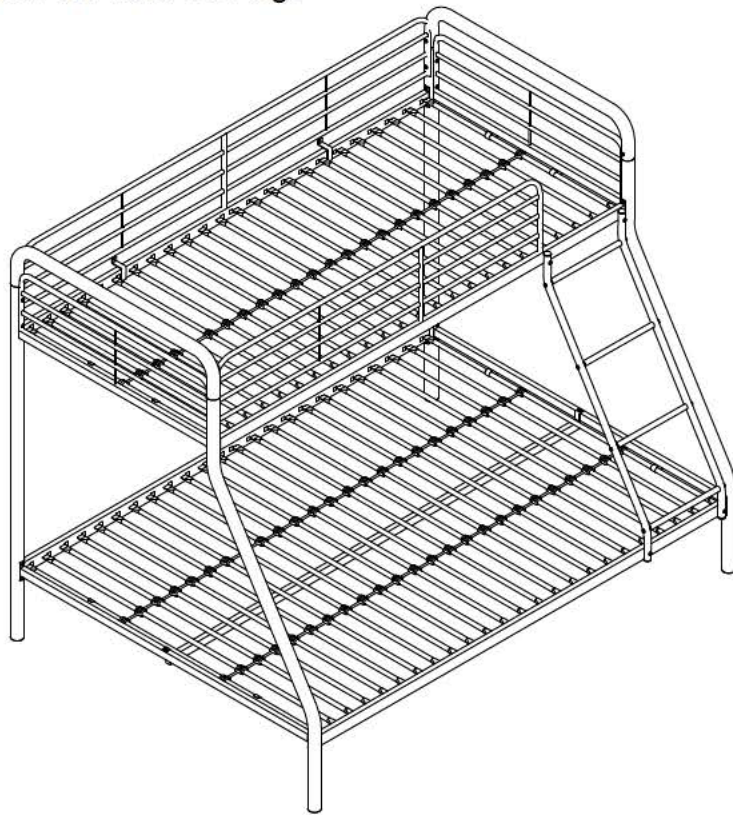


Metal Bunk Bed

Single / Double
White

Weight Limit:
Upper bed: 200 Lbs / 91 Kgs
Lower bed: 450 Lbs / 204 Kgs



Thank you for purchasing



IMPORTANT - READ CAREFULLY - RETAIN FOR FUTURE REFERENCE

Warranty Information

warrants this product to be free from defects in material and workmanship and agrees to remedy any such defect. This warranty covers one year from the date of original purchase. This is solely limited to the repair or replacement of defective parts and assembly labor is not included.

This warranty does not apply to any product which has been improperly assembled, subjected to misuse or abuse or which has been altered or repaired in any way. Liability for consequential damages is excluded to the extent exclusion is permitted by law. This warranty gives you specific legal rights and you may also have other rights which vary from county to county.

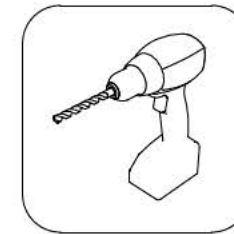
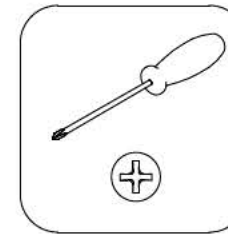
To obtain warranty service, purchaser must present original bill of sale. Components repaired or replaced are warranted through the remainder of the original warranty period only. The defective components will be repaired or replaced without charge, subject to the terms and conditions described above.

Read Before Beginning Assembly

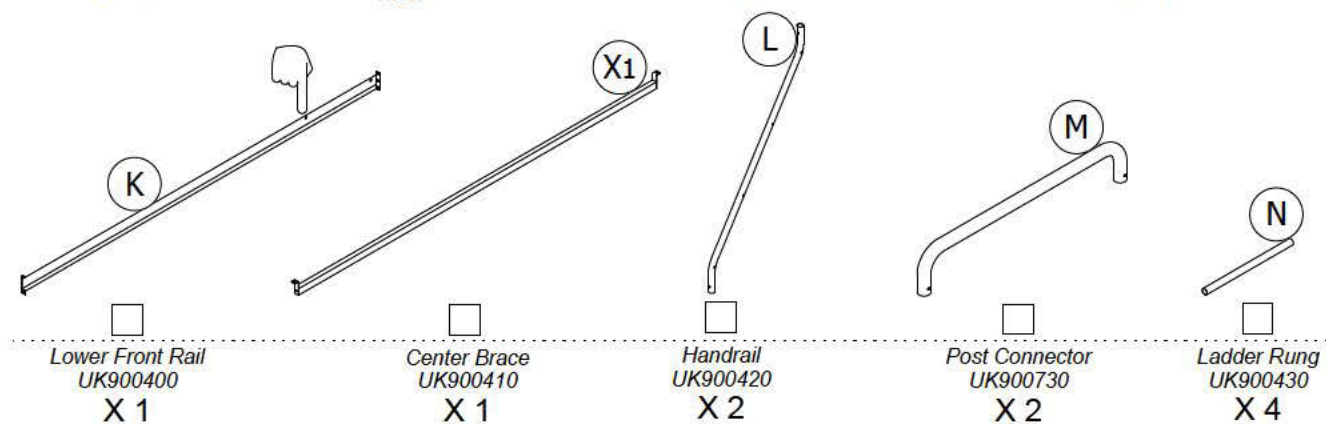
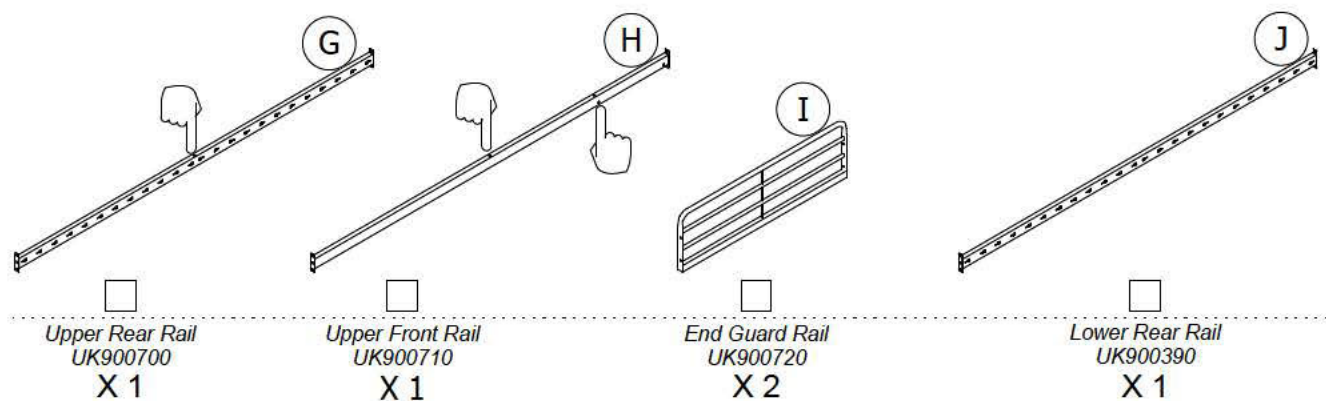
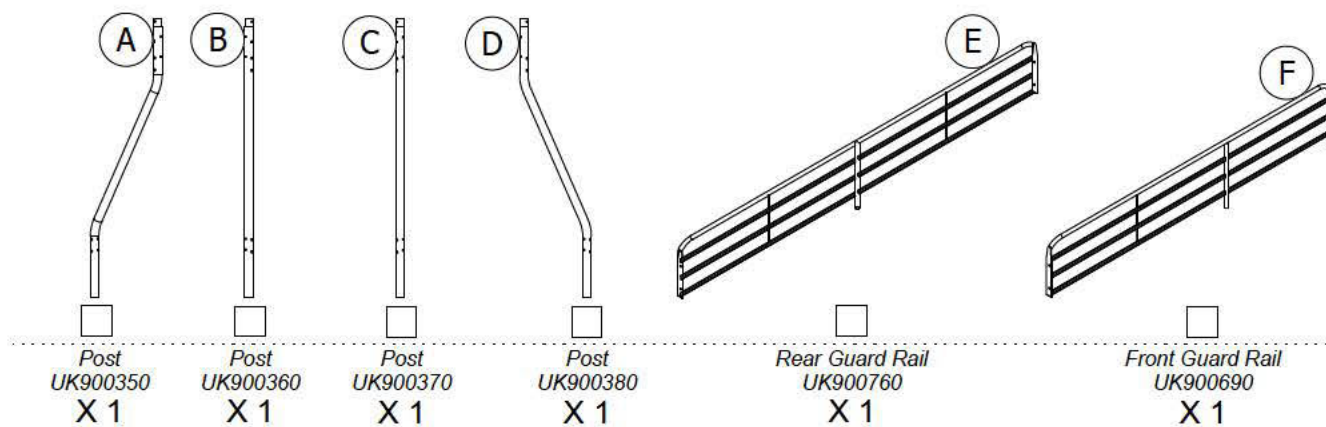
- Call our Customer Care phone number if you need assistance.
- Work in a spacious area and near where the unit will be used, preferably on a carpet, or use a piece of the cardboard packaging to protect your floor and product.
- Recommended # of people needed for assembly: **2** (however it is always better to have an extra hand). Estimated assembly time is **2** hours.
- Make sure all parts are included. Most parts are labeled or stamped on the raw edge.
- Read each step carefully. It is very important that each step of the instructions is performed in the correct order. If these steps are not followed in sequence, assembly difficulties will occur.




Caution

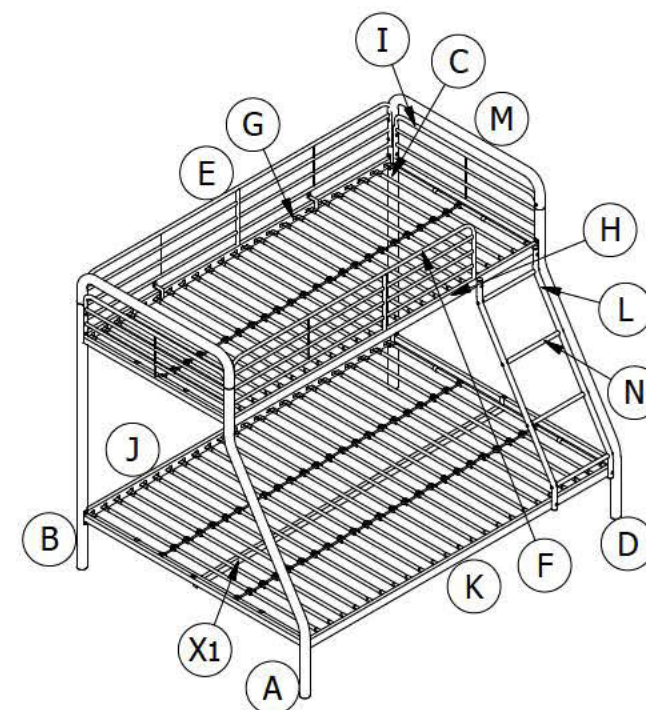
- This product is designed for home use and not intended for commercial use.
- This product contains small components. Please ensure that they are kept away from small children.
- Do not use power tools to assemble your furniture. Power tools may strip or damage the parts.
- A power tool and drill bit will be required to secure the bunk to the wall.
- You will need a phillips headed screwdriver to assemble this product.



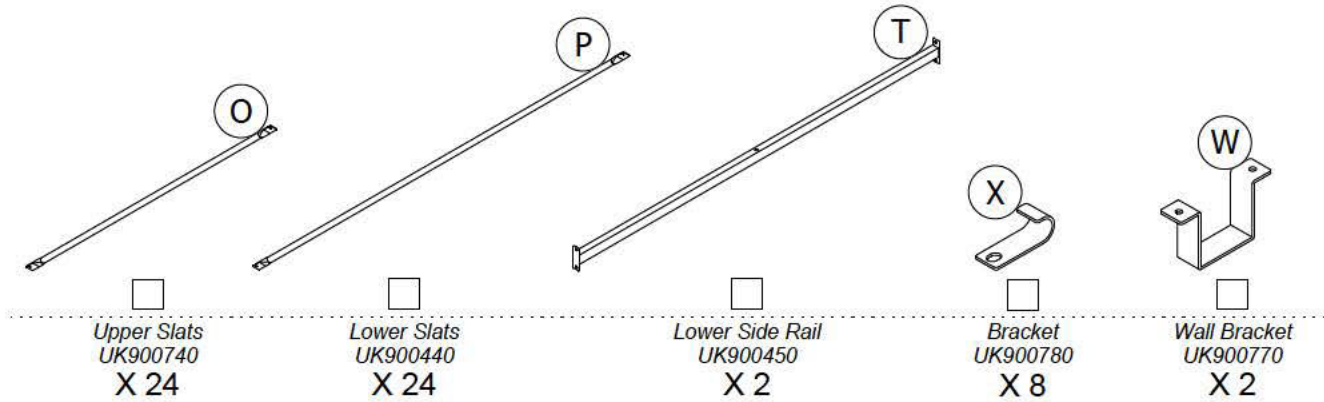
Parts



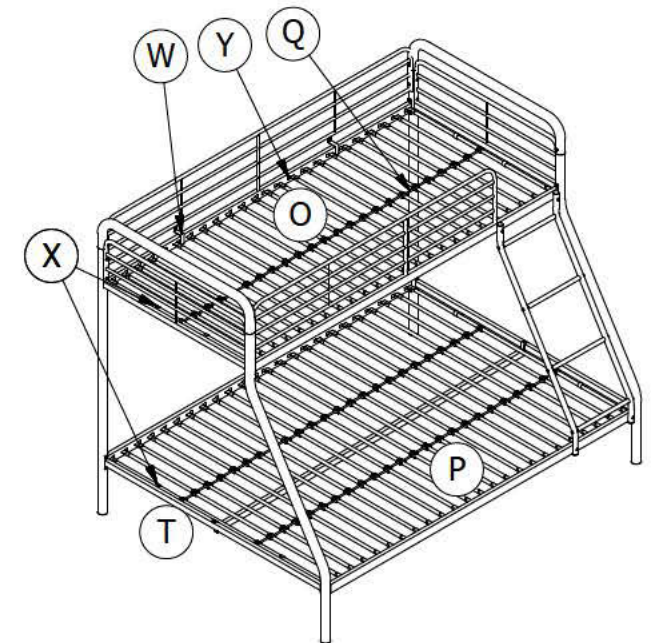
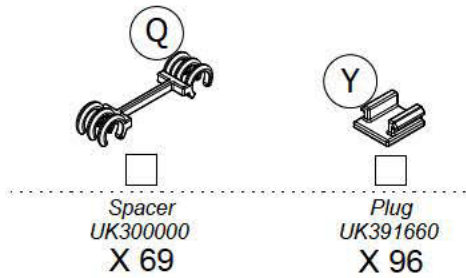
-  *All in 1 big box!*
-  *There are inner box(es) that include components required to complete this assembly.*
-  *Before you throw the package, please use the Check Box to identify the parts and ensure that you have all the parts needed for the assembly.*



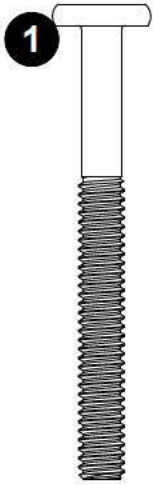
Parts



- All in 1 big box!**
- There are inner box(es) that include components required to complete this assembly.**
- Before you throw the package, please use the Check Box to identify the parts and ensure that you have all the parts needed for the assembly.**



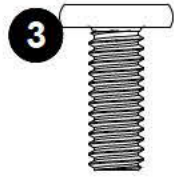
Hardware Pack



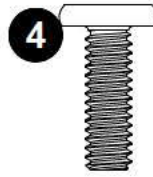
Bolt
1/4" X 60mm
X 3



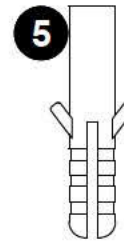
Bolt
1/4" X 41mm
X 12



Bolt
5/16" X 19mm
X 16



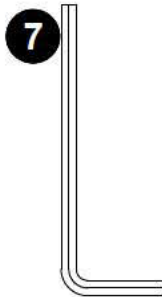
Bolt
1/4" X 19mm
X 33



Rawplugs
6 X 30mm
X 4



Screw
4.2 X 35mm
X 4



Hex Key
4mm
X 1



Please do not completely tighten all the hardware, until the entire assembly is complete, unless otherwise indicated in the step-by-step instructions.



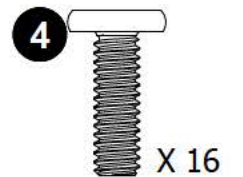
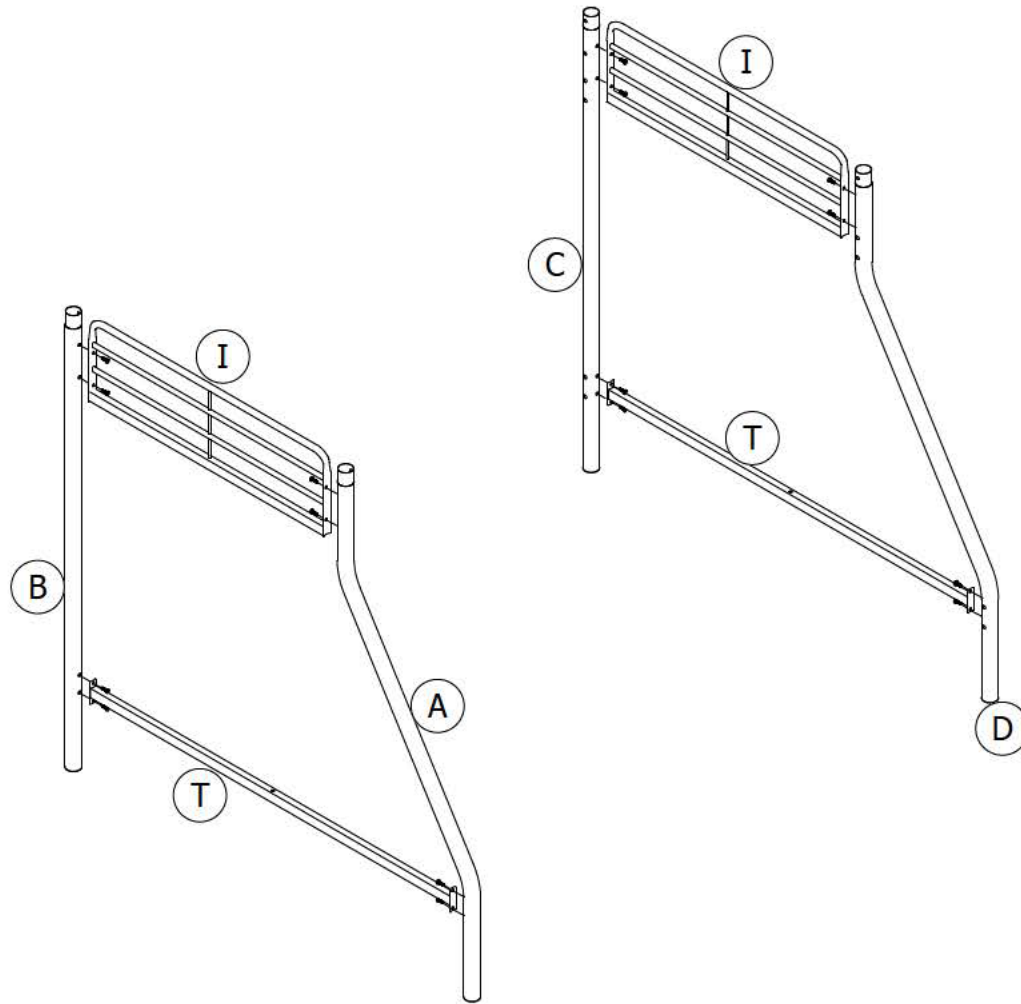
The screw(s), bolt(s) to be used at each step are shown in actual size in the lower right corner of the page.

Step 1

Attach **I** to **A**, **B**, **C** and **D** with **4**.

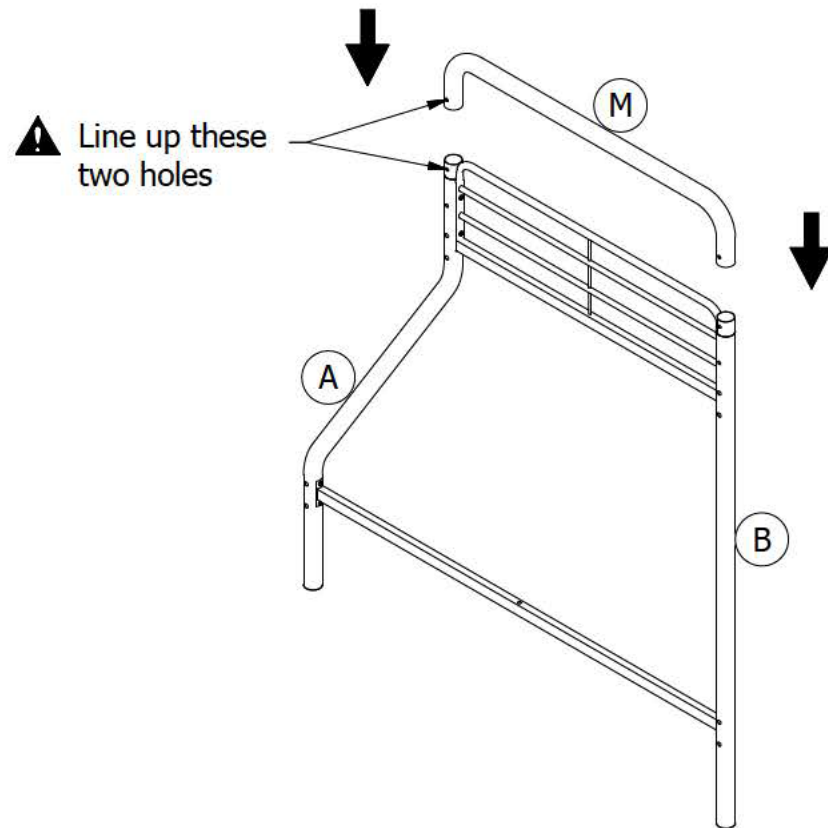
Attach **T** to **A**, **B**, **C** and **D** with **4**.

Please do not completely tighten the bolts of Part **I** & **T**, in order to easily assemble Parts **M** in **Step 2** and **Step 3**.



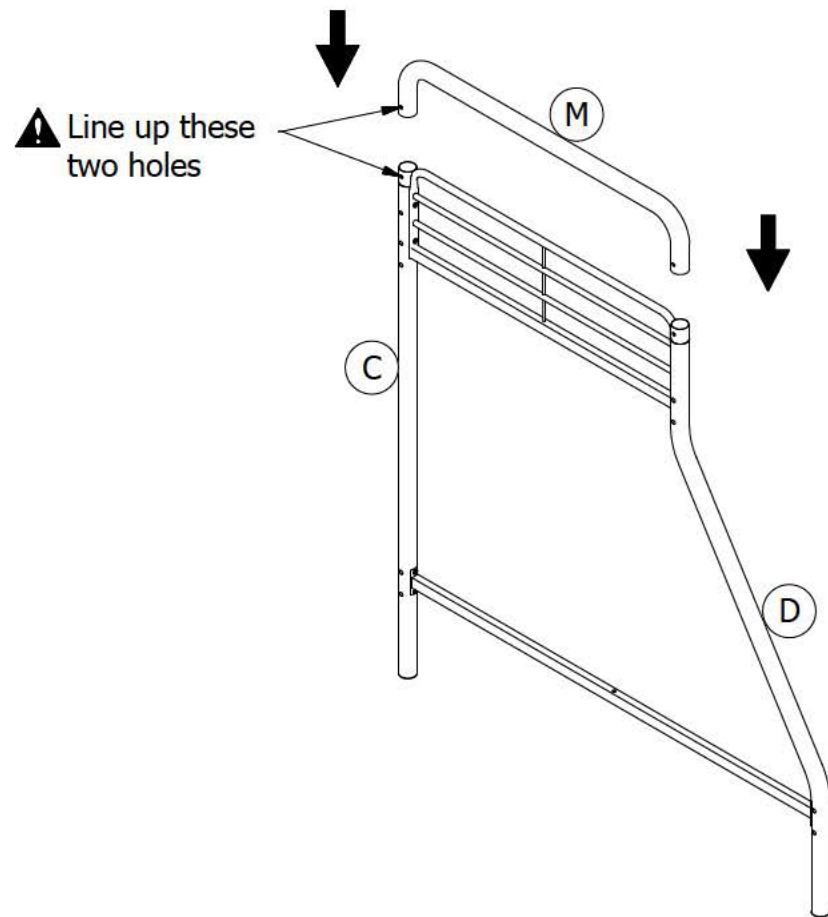
Step 2

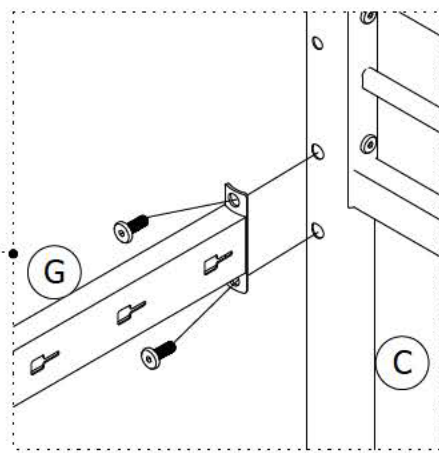
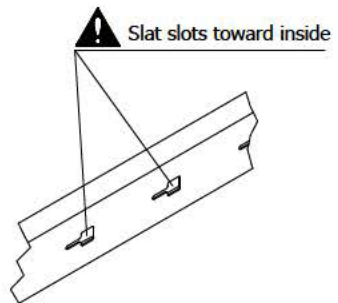
Insert **M** onto **A** and **B**.



Step 3

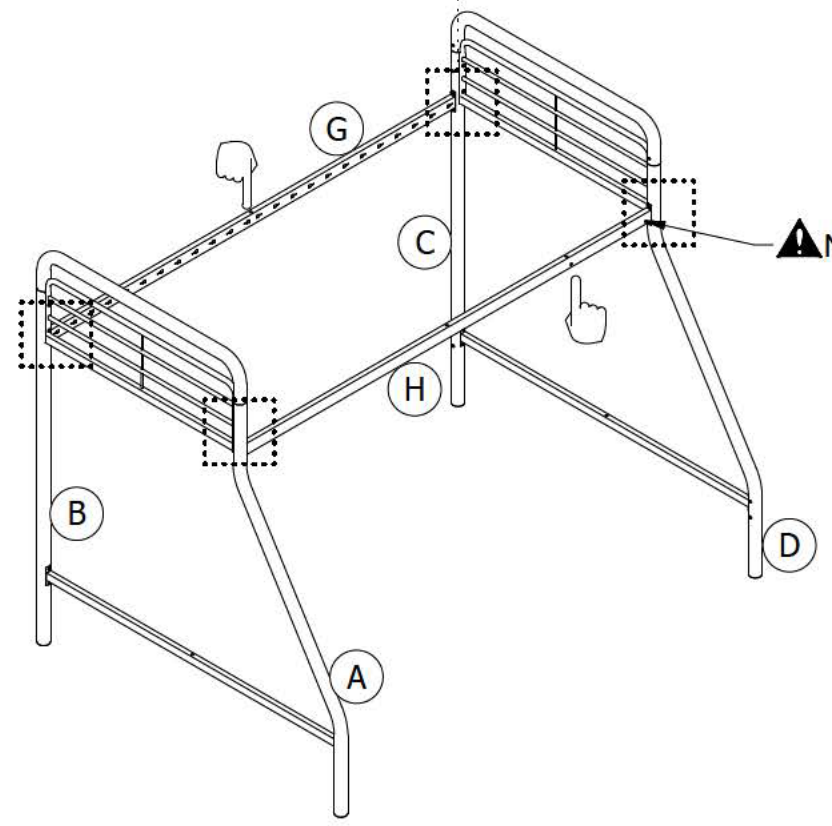
Insert **M** onto **C** and **D**, then properly tighten the Bolts from **Step 1**.



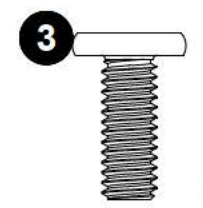


Step 4

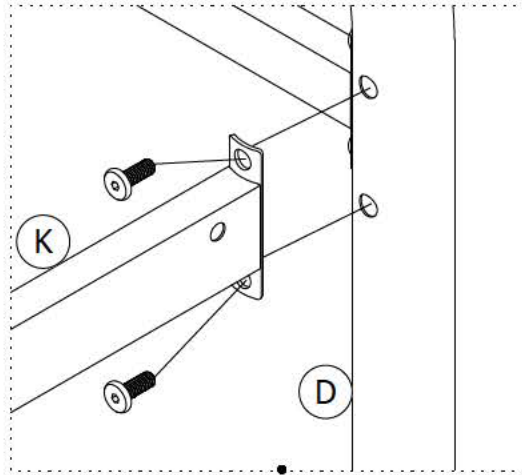
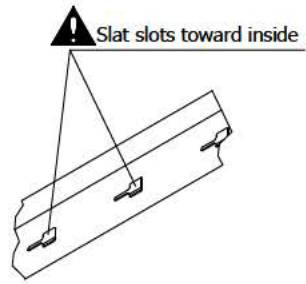
Attach **G** and **H** to **B/C** and **A/D** with **3**.



! Note: Ladder holes are closest to D.



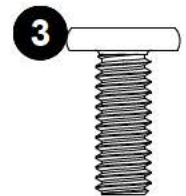
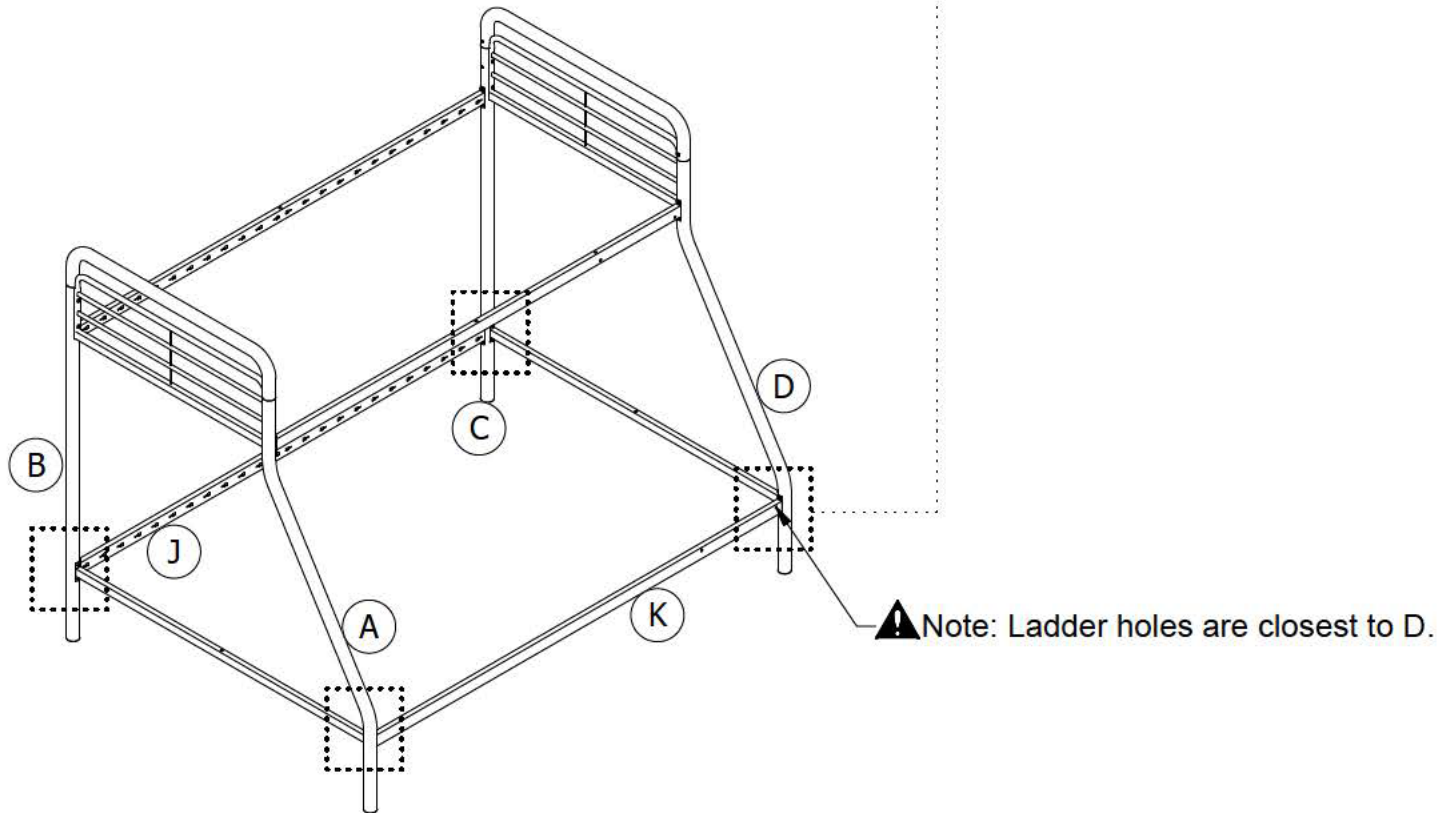
X 8



Step 5

Attach **J** to **B/C** with **3**.

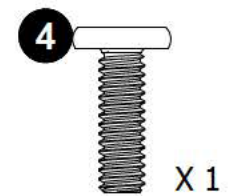
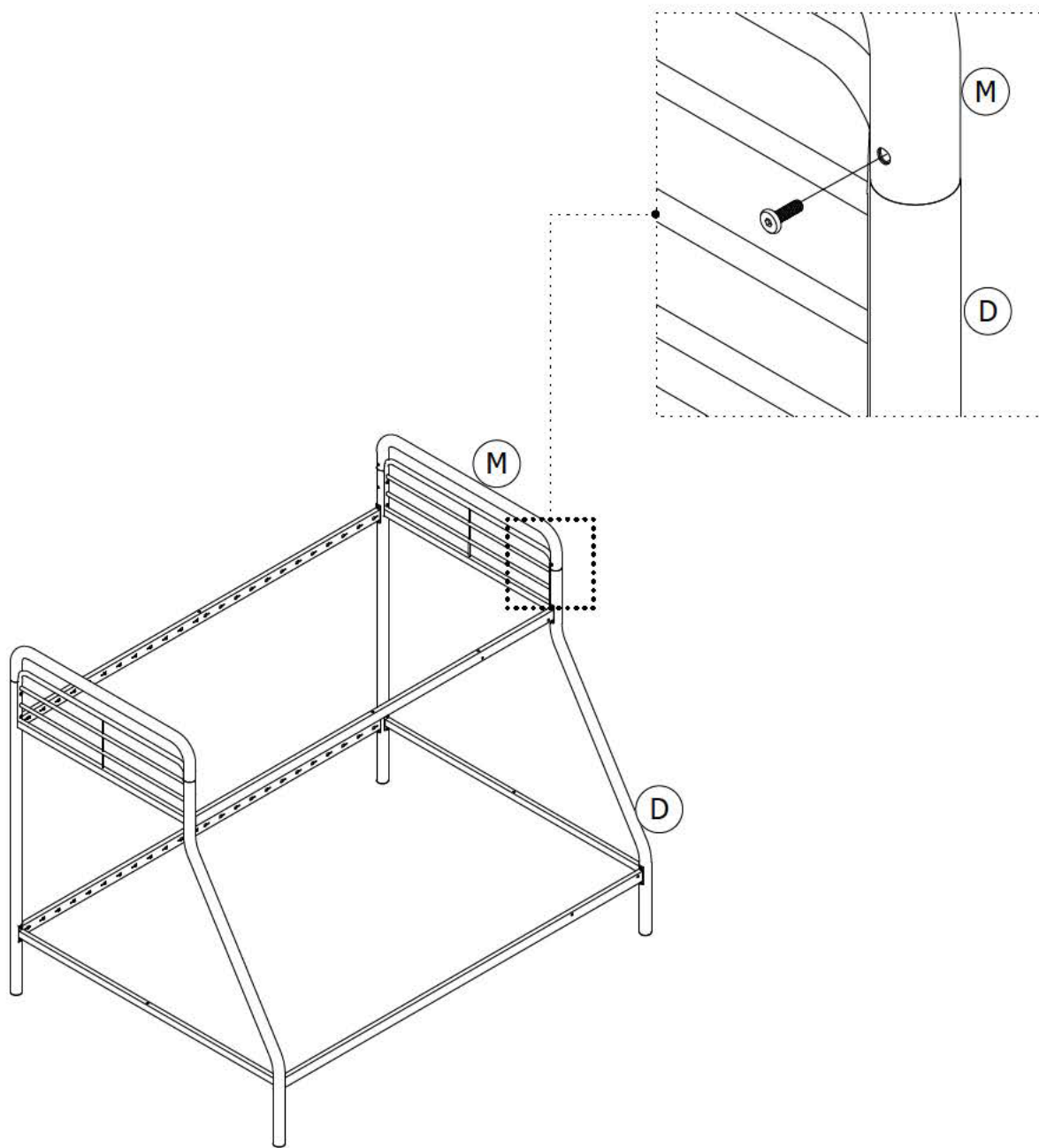
Attach **K** to **A/D** with **3**.

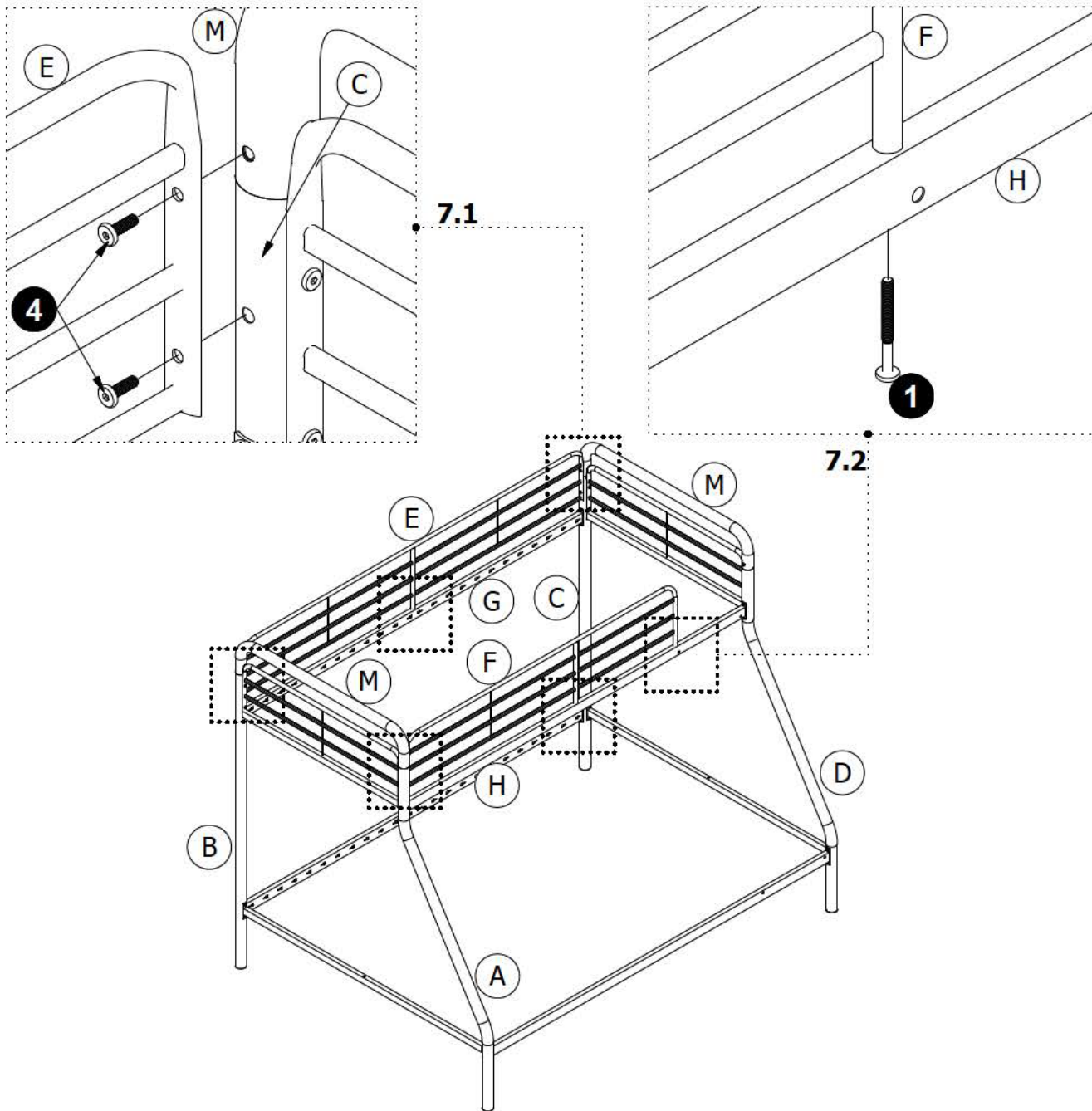


X 8

Step 6

Screw **4** to **M** and **D**.

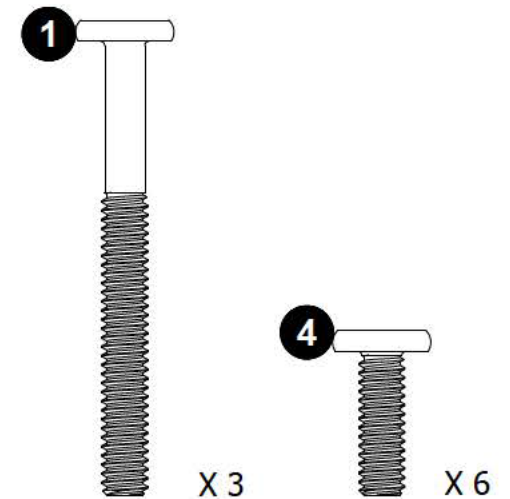




Step 7

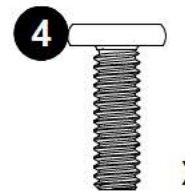
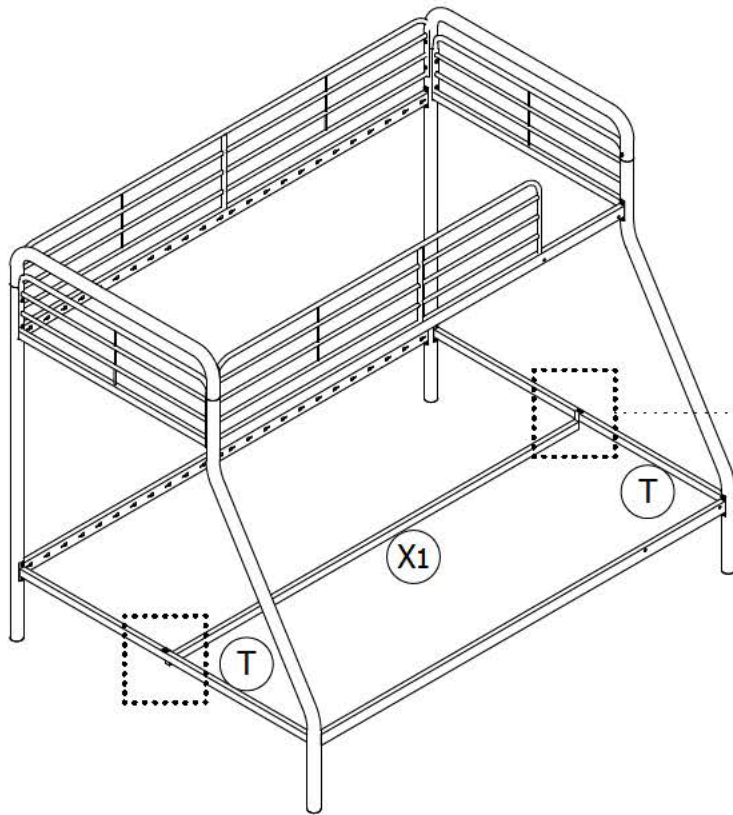
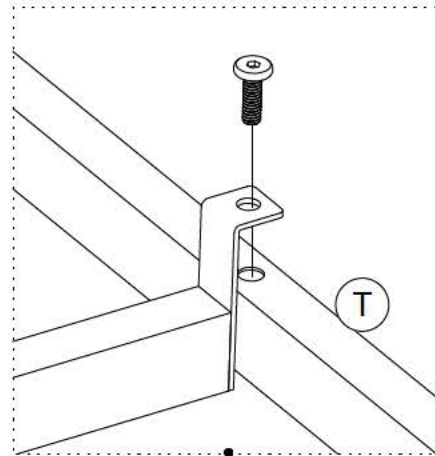
7.1 Attach E to B, C and M with **4**,
attach F to A, M and D with **4**.

7.2 Attach E to G with **1** in the middle,
attach F to H with **1**.



Step 8

Attach **X1** to **T x 2** with **4**.

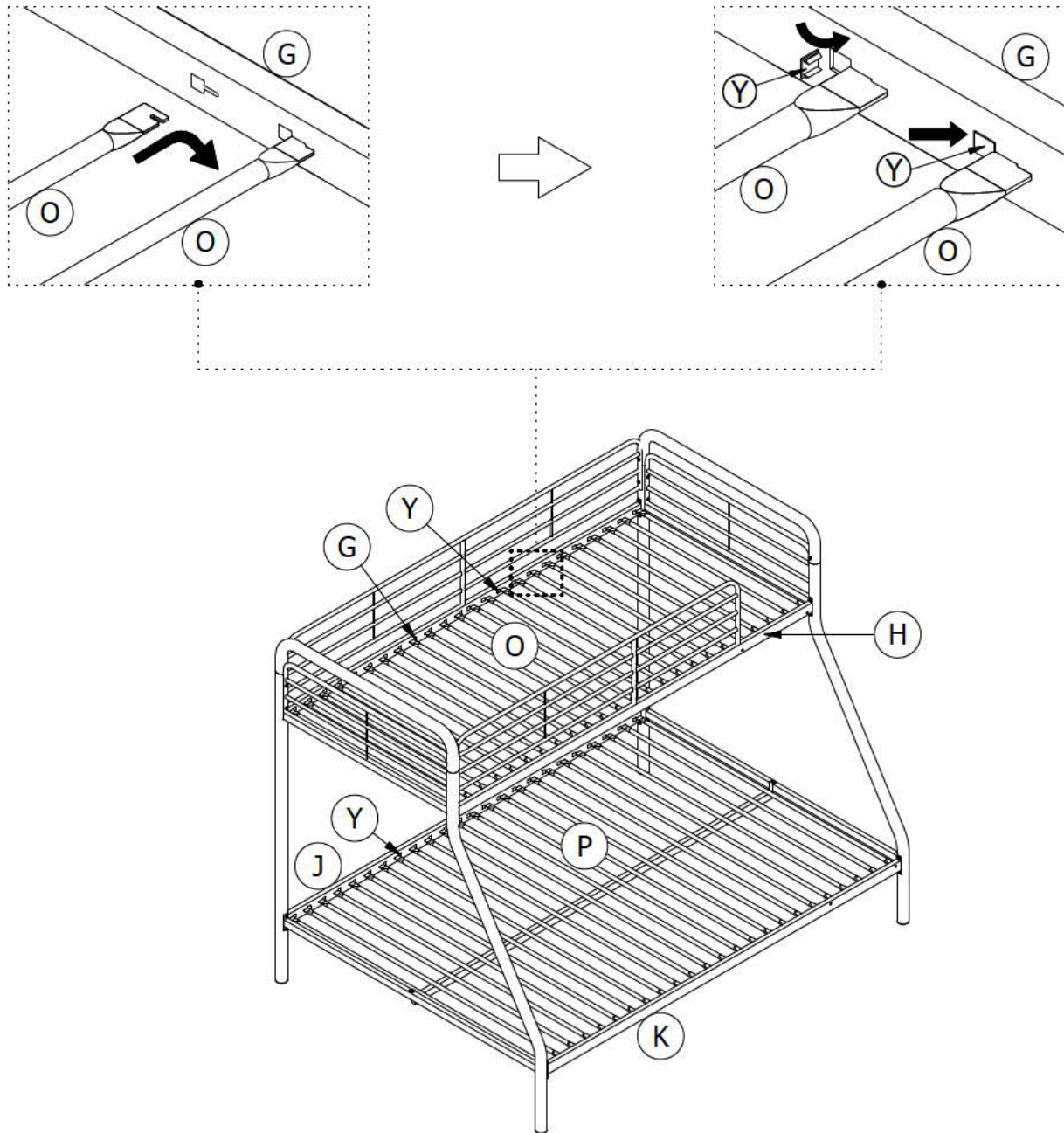


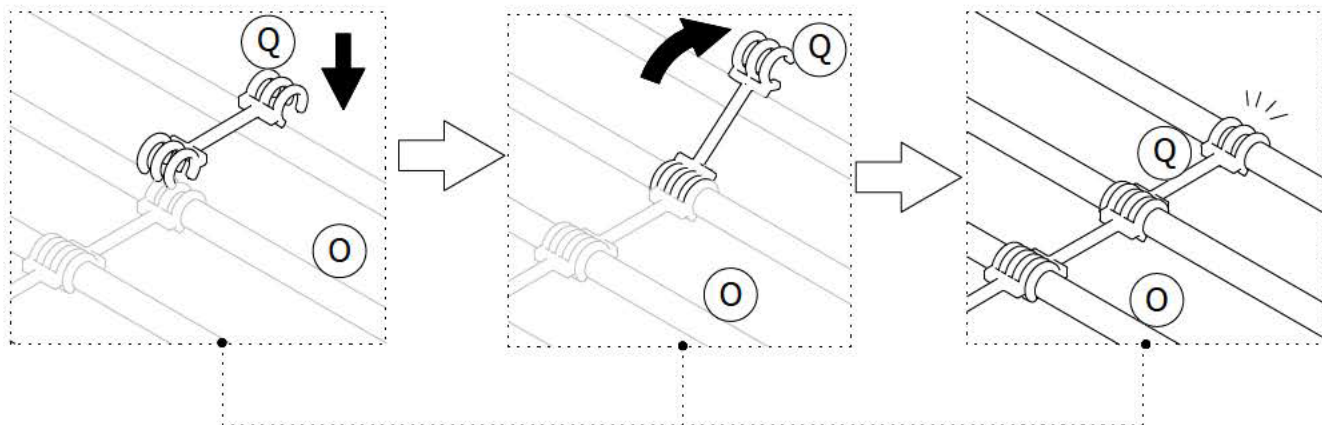
X 2

Step 9

Upper Bunk: Insert **O** to **G** & **H**, then lock **O** into place with **Y** as shown.

Lower Bunk: Insert **P** to **J** & **K**, then lock **P** into place with **Y** as shown.



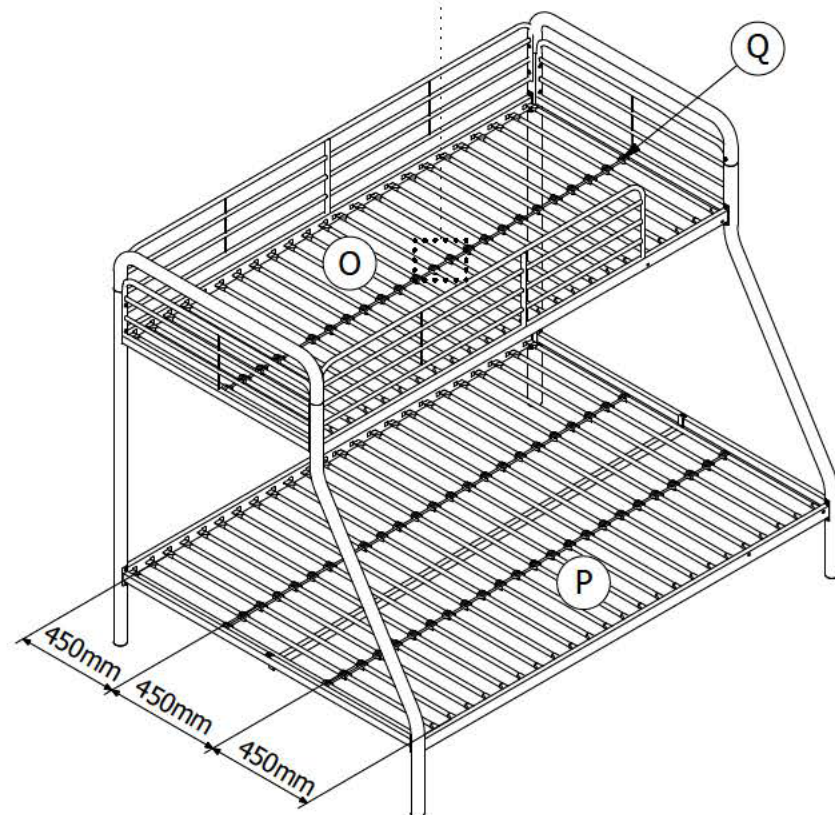


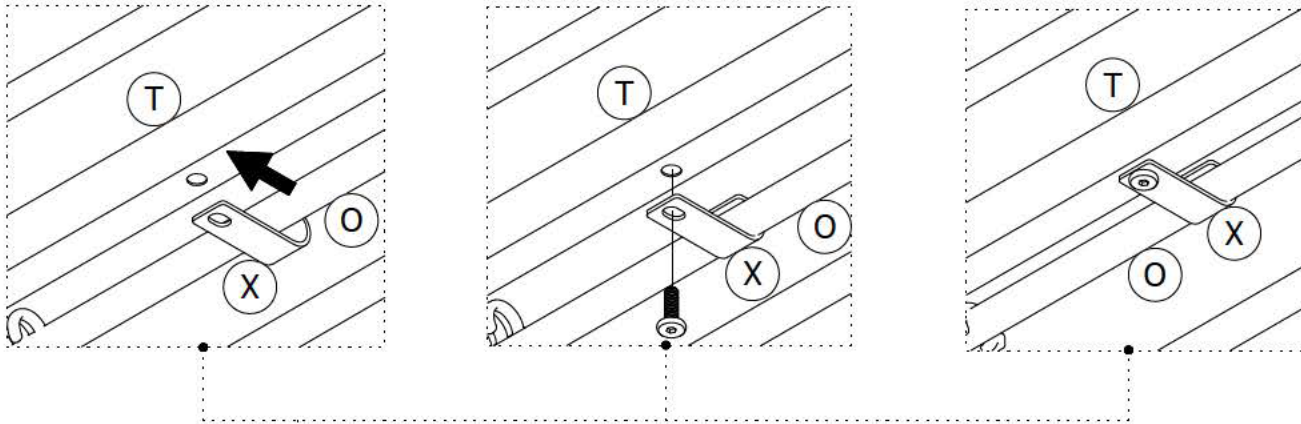
Step 10

Press **Q** onto **O** and **P** as illustrated.

On upper bed: Please put **Q** down the middle, at approximate 450mm from the side of the bed.

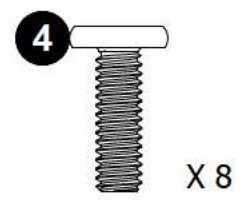
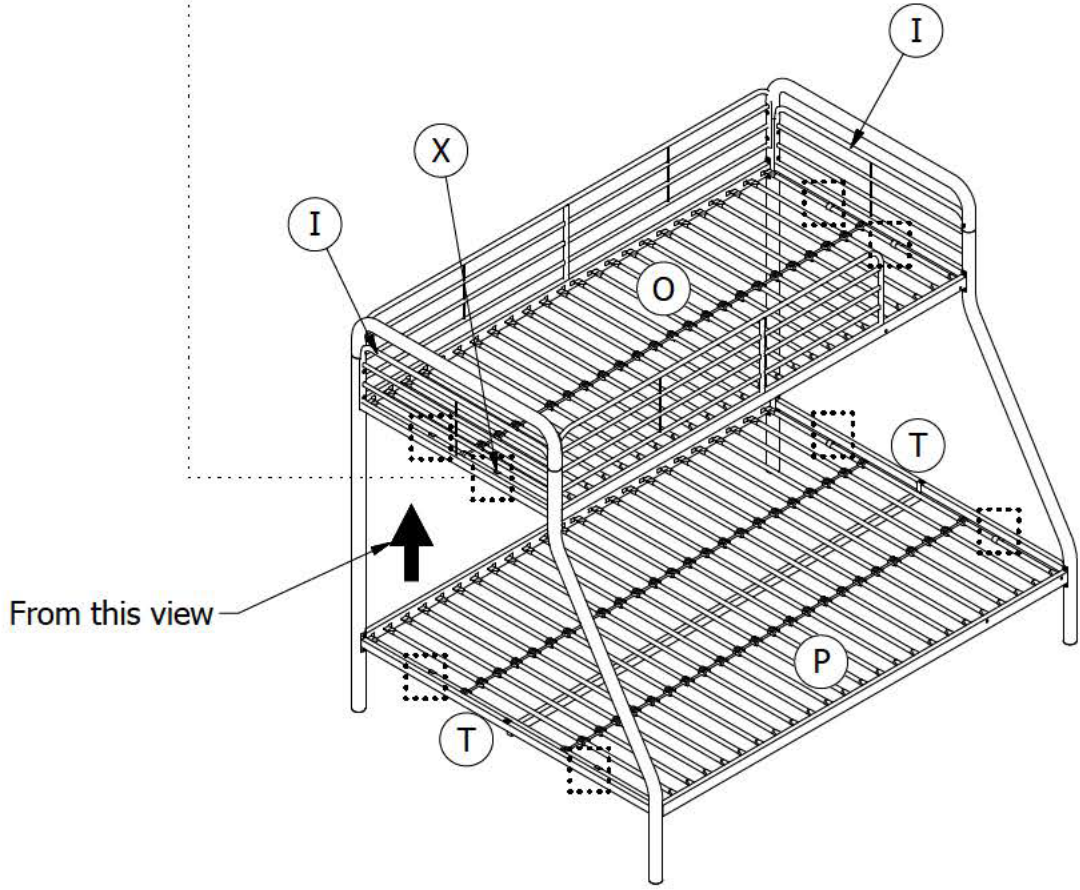
On lower bed: For better performance, Slat Spacers **Q** should be straightly aligned at equal distances from each other (approximately 450mm).

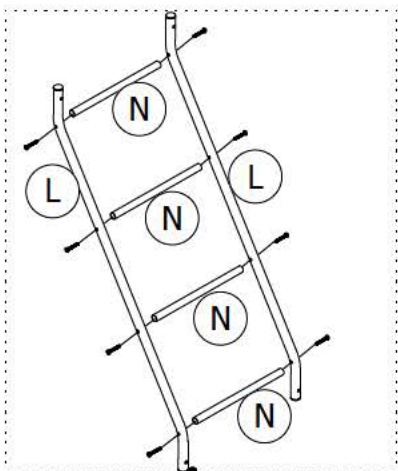




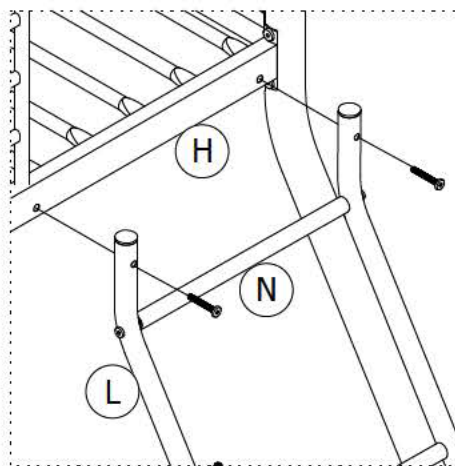
Step 11

Hook **X** x 8 onto the end **O** and **P**, then attach to **I** x 2 and **T** x 2 with **4** as shown.





12.1

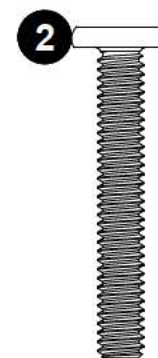
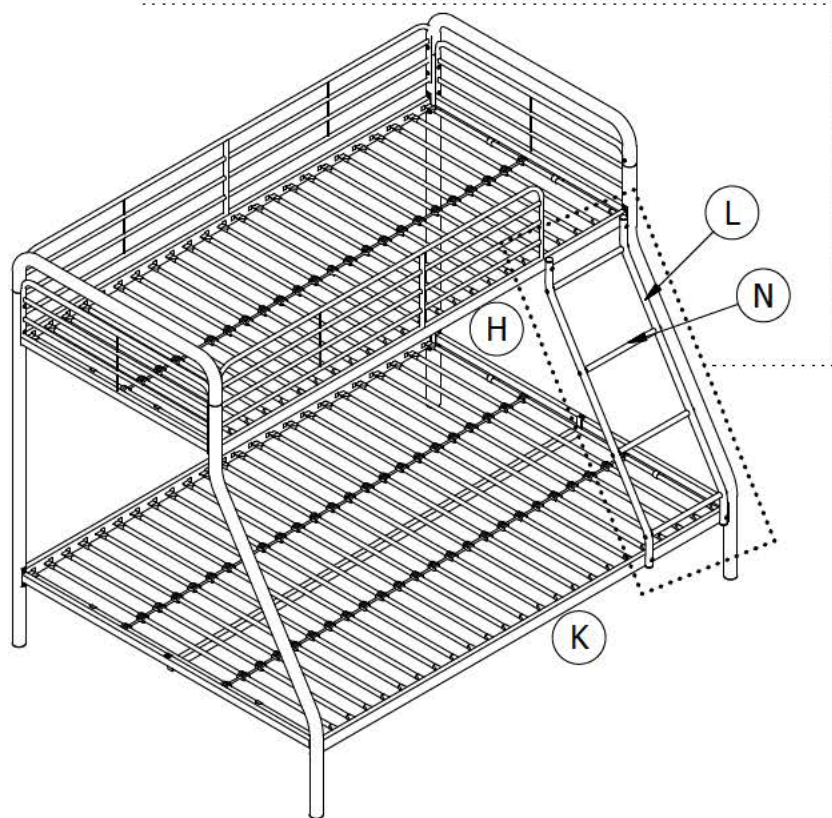


12.2

Step 12

12.1 Attach N x 4 to L x 2 with ②.

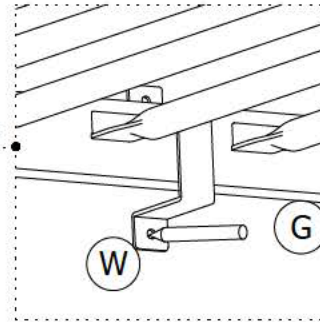
12.2 Attach L to H/K with ②.



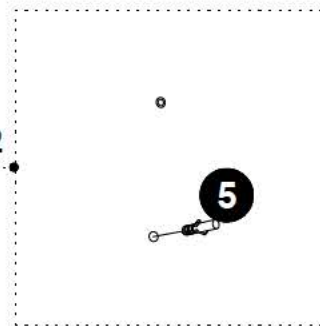
X 12

Step 13

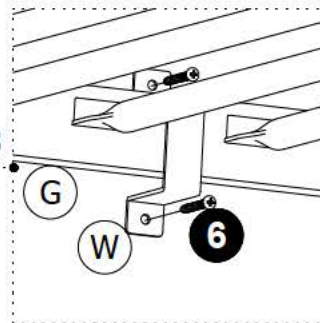
13.1



13.2



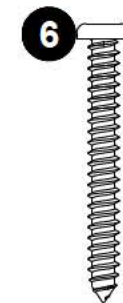
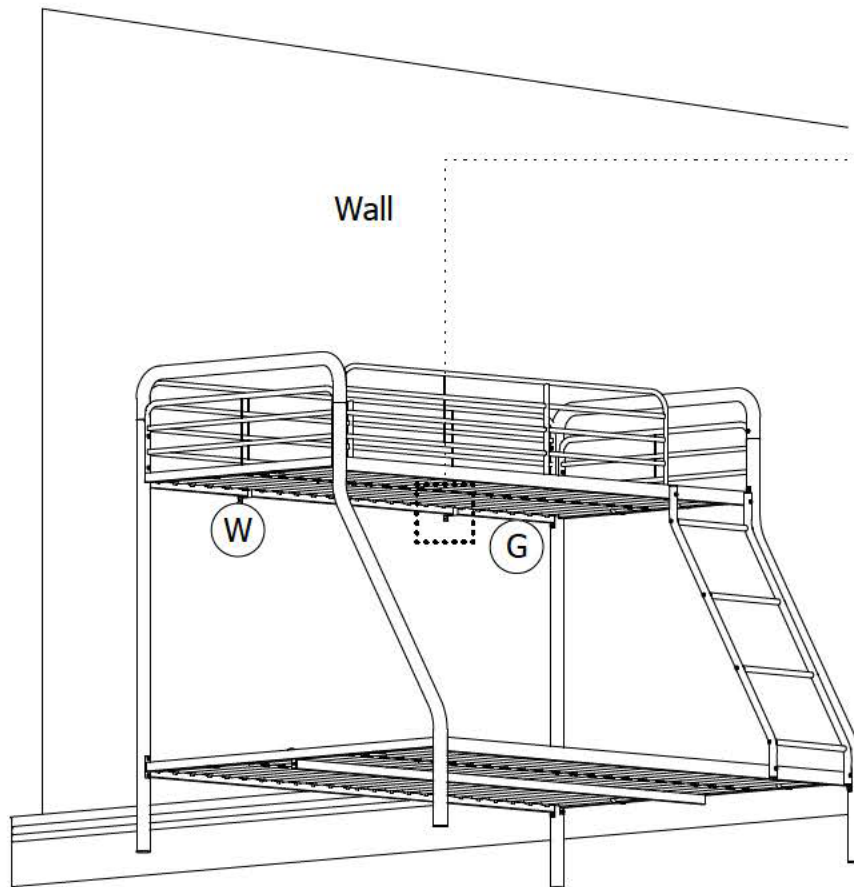
13.3



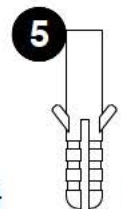
13.1 Place **W** around **G**, inside the fifth slat from each end. Mark the 4 holes to be drilled.

13.2 Drill with 1/4"(6mm) drill bit to a depth of 40mm. Plug holes with **5**.

13.3 Attach **W** with **6**.



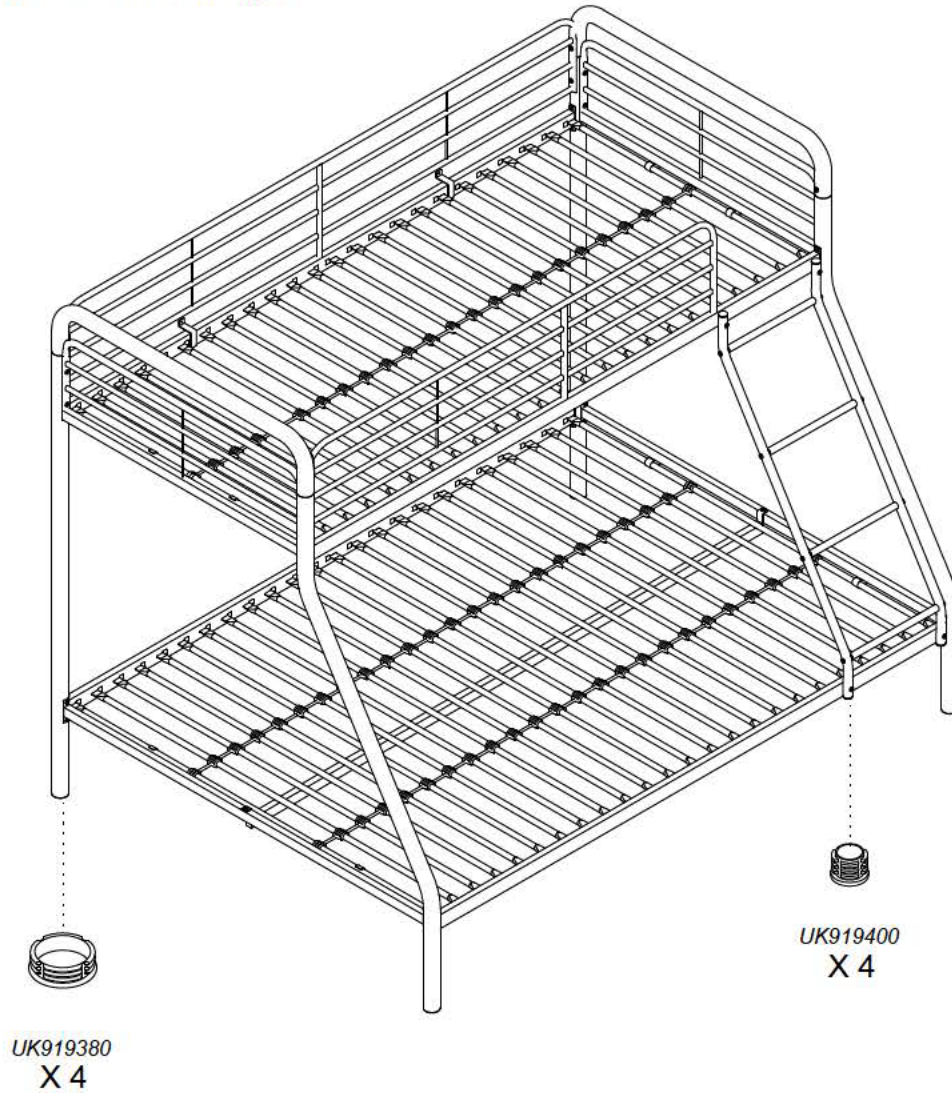
X 4



X 4



Weight Limit:
Upper Bed: 200 Lbs / 91 Kgs
Lower Bed: 450 Lbs / 204 Kgs

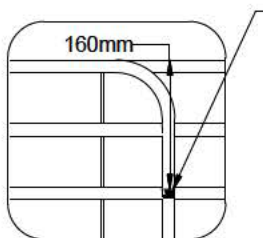


Helpful Hints

- Move your new furniture carefully, with two people lifting and carrying the unit to its new location.
- Your furniture can be disassembled and reassembled to move.
- Clean the product with a soft damp cloth. DO NOT use harsh chemicals or abrasive cleaners.
- Some parts have been pre-assembled for this item. They are illustrated on this page and available for replacement.
- (Only applied for bunk bed with a lower bunk)
For the best comfort, we recommend a 6" height mattress to be used on lower bunk.

WARNINGS for Bunk Bed

- Always follow the manufacturer's instructions;
- High beds and the upper bed of bunk beds are not suitable for children under six years due to the risk of injury from falls;
- Bunk beds and high beds can present a serious risk of injury from strangulation if not used correctly. Never attach or hang items to any part of the bunk bed that are not designed to be used with the bed, for example, but not limited to ropes, strings, cords, hooks, belts and bags;
- Children can become trapped between the bed and the wall, a roof pitch, the ceiling, adjoining pieces of furniture (e.g. cupboards) and the like. To avoid risk of serious injury the distance between the top safety barrier and the adjoining structure shall not exceed 75 mm or shall be more than 230 mm;
- Do not use the bunk bed/high bed if any structural part is broken or missing;
- Periodically check and ensure that all assembly fastenings are properly tightend;
- Always use the recommended size mattresses or mattress supports, or both, to help prevent the likelihood of entrapment or falls;
- Use only a single mattress which is **1900mm** long and **900mm** wide on the upper bed and a double mattress which is **1900mm** long and **1370mm** wide on the lower bed;
- The maximum thickness of the mattress used on the upper bed is **160mm**. The top of the mattress shall be at least 160mm below the upper edge of the guardrails;
- Ventilation of the room is necessary in order to keep the humidity low and to prevent mould in and around the bed;
- Use of a night light may provide added safety for a child using the upper bunk;
- Do not allow horseplay on or under the bed and prohibit jumping on the bed;
- Always use the ladder for entering and leaving the upper bunk;
- This bunk bed conforms to BS EN 747:2012 + A1:2015.



! MATTRESS NOT ABOVE THIS LEVEL

! Please note the maximum mattress height is indicated on the vertical bar on the left side of the opening. This is legal requirement and it is vital that the mattress does not exceed this mark.