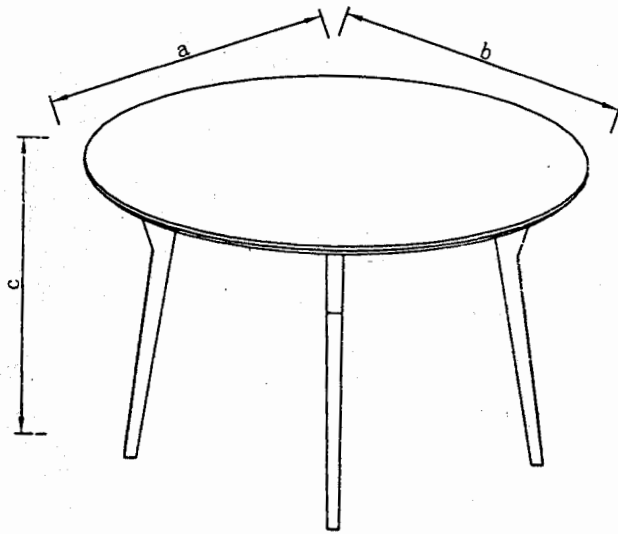


Dining Table

size:	a	b	c
	120	120	76cm



1



Ⓐ 1-Φ5*L90



Ⓑ 8-M8*50

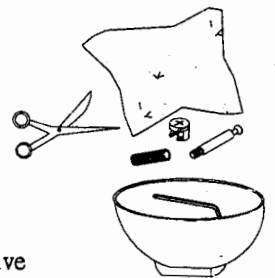


Ⓒ 8-Φ8*Φ22



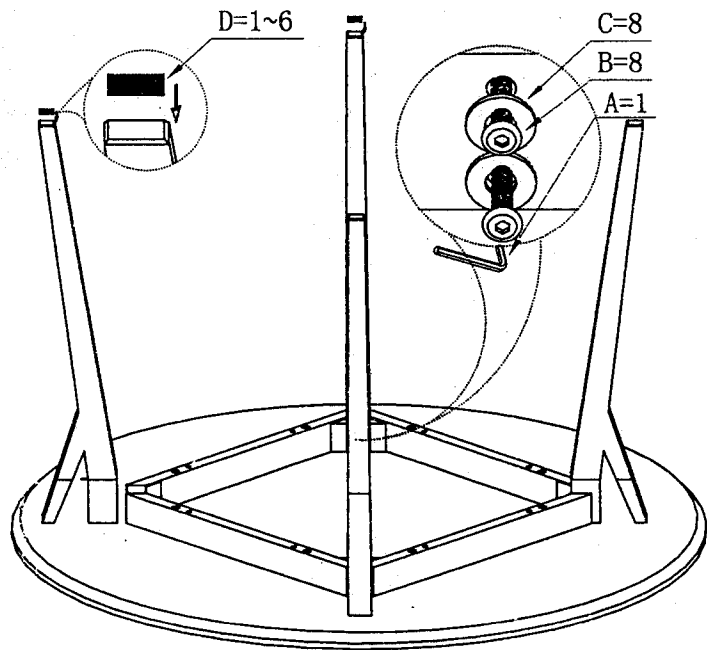
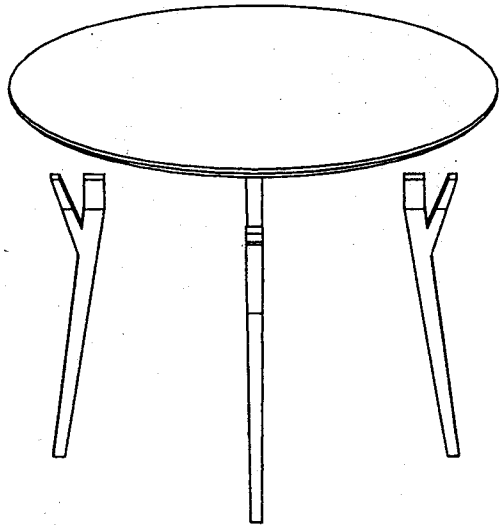
Ⓓ 6-L23*W23*H2mm

• Tools required



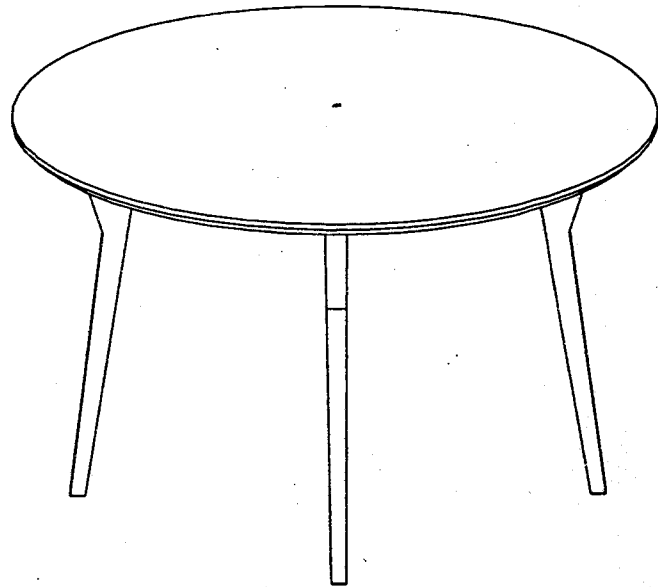
• It is a good idea to use a soft, protective underlay during assembly.

2



3

③



- Hardware should be retightened after a period of use. For this purpose, save any Allen keys and tools.
- If you have any questions, please contact your store or our headquarter.

4