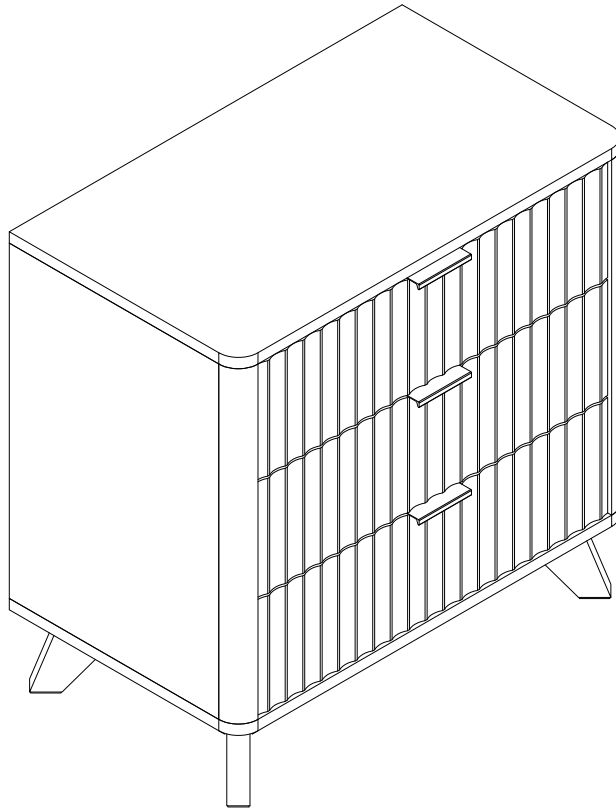


Assembly Instructions



Grantee:



DO NOT RETURN: Keep the regular item and get a Replacement and new products instead of Return.



REFUND: Any problems caused by us can be compensated by a refund.

We are very sorry if we have caused you any trouble.
Try to contact our service team at first time to solve your problem.
Thank you for giving our service team another chance.
Thank you for your patience and cooperation.

Before Start:



Check part List: Check the part list to make sure you have all parts before starting assembly



Cursory glance: A cursory glance through the manual can help speed up the installation process and reduce mistakes before starting



Follow Instructions: Follow instructions step by step to avoid Unnecessary mistakes, destruction and failure.

Recommended:



Two Person may help assemble work easier.

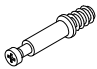



Phillips and hexagonal screwdriver.




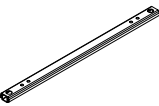
Power tools can reduce installation time.


Hardware Part List


A  M6x35mm x39+2

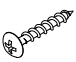
B  M15x10mm x39+2

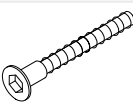
C  M6x30mm x18+1

D  L 278mm x6

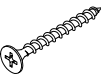
E  M3x12mm x24+2

F  M6x15mm x12+1

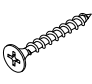
G  M4x25mm x12+1

H  M7x50mm x8+1

I  x1


J  M4x35mm x5+1


K  x4


L  M4x30mm x15+1

M  x3

N  x8+1

O  M3x16mm x8+1

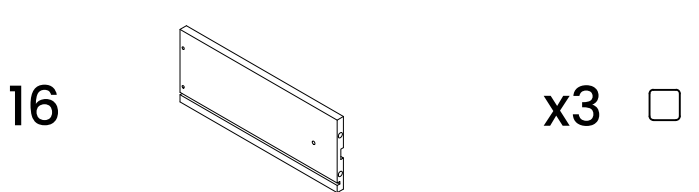
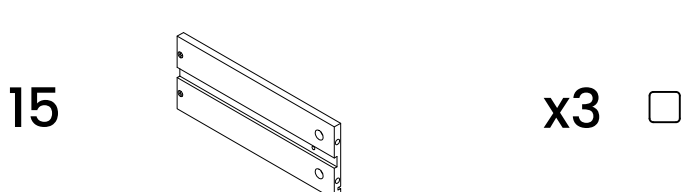
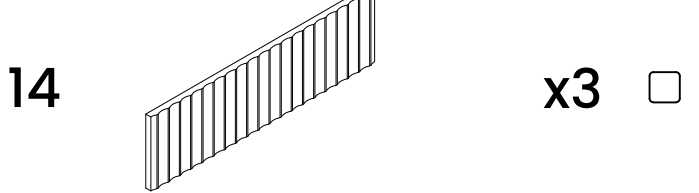
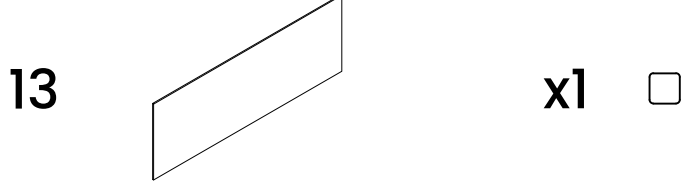
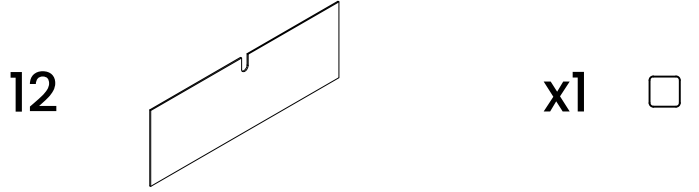
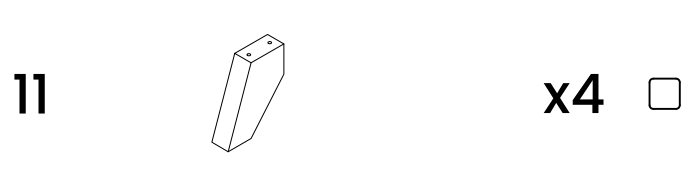
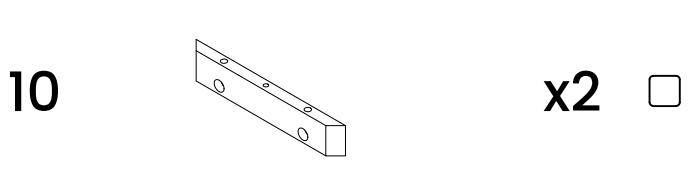
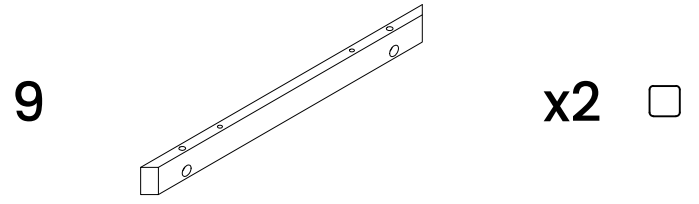
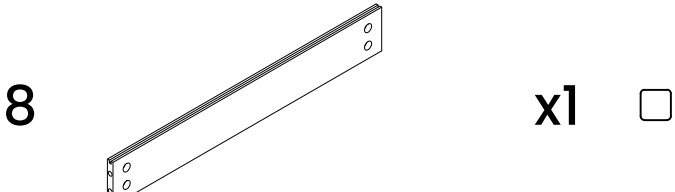
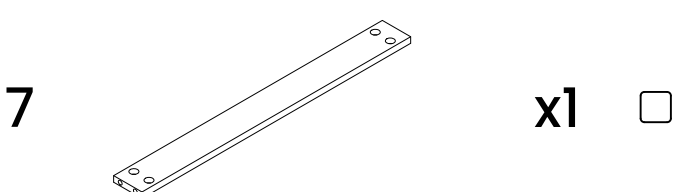
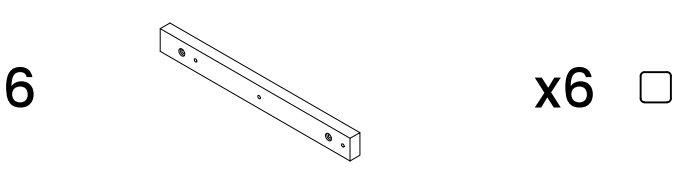
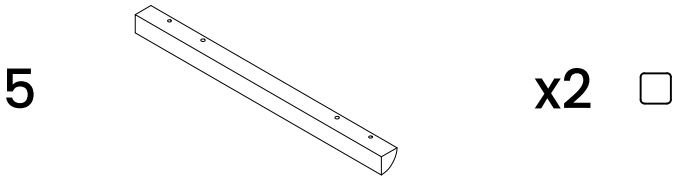
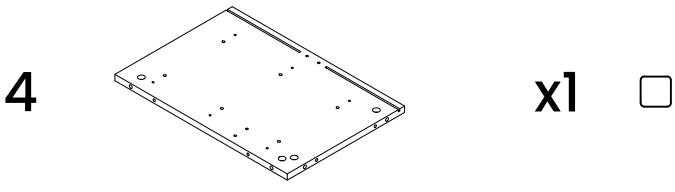
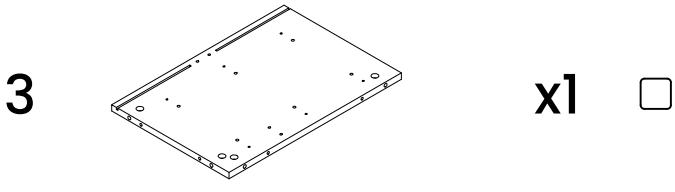
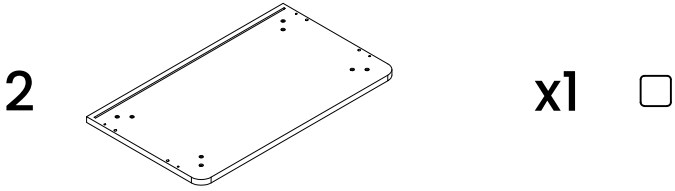
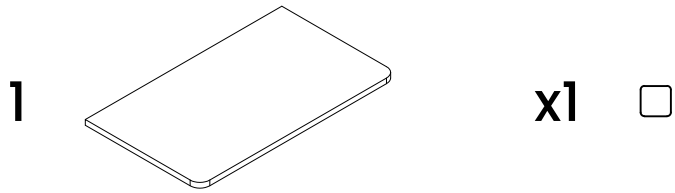
P  M4x10mm x6+1

Q  M4x12mm x1

R  x1

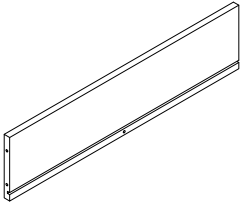
S  x1

Components Part List



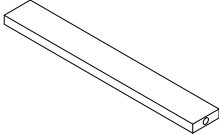
Components Part List

17



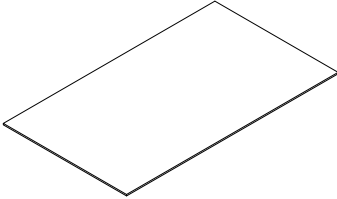
x3

18



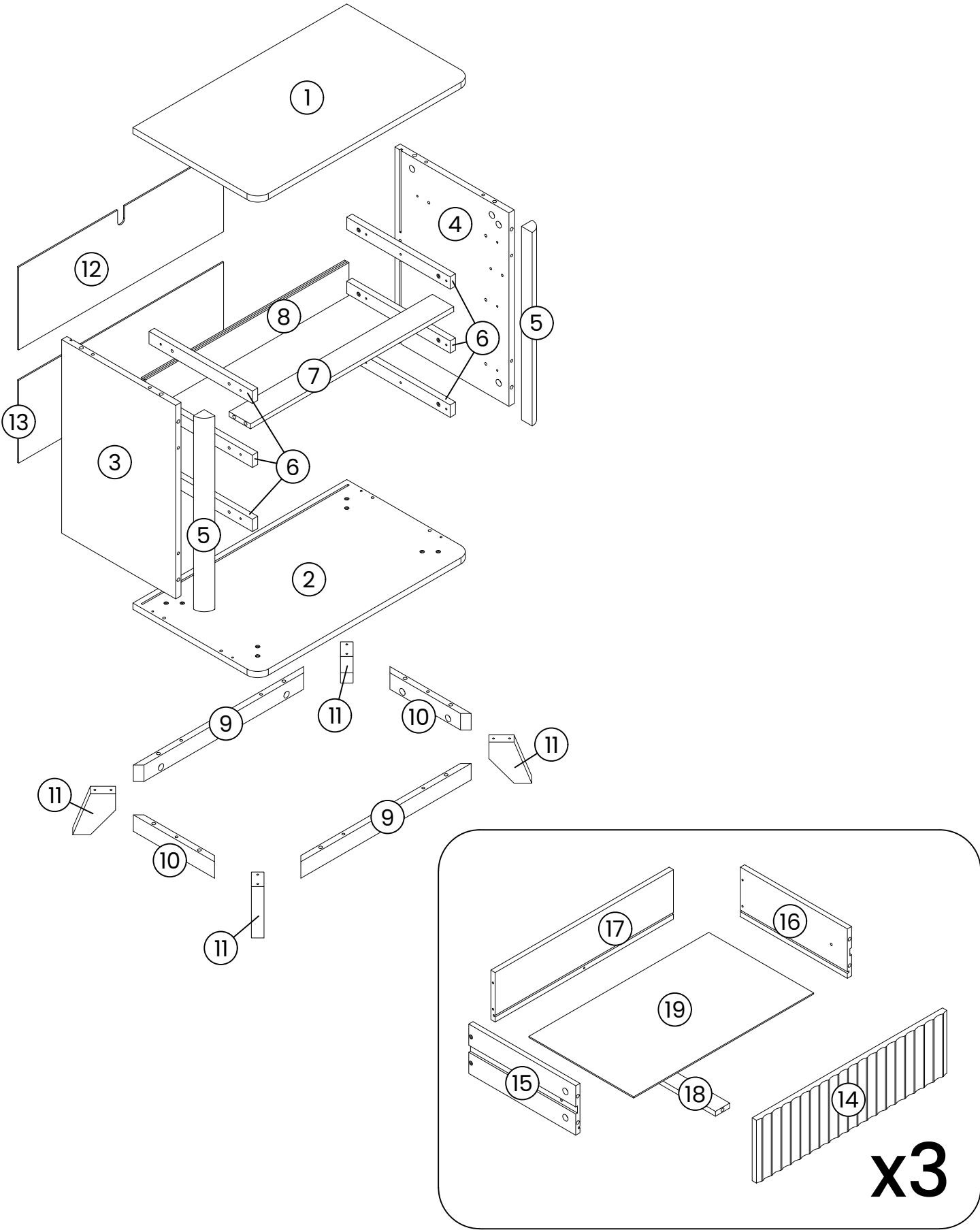
x3

19

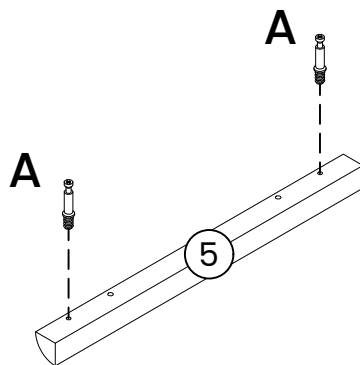


x3

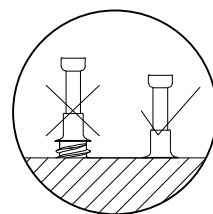
Disassemble diagram:



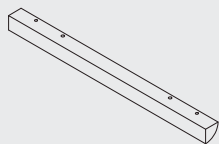
Step 1 / 25



x2



5



x2

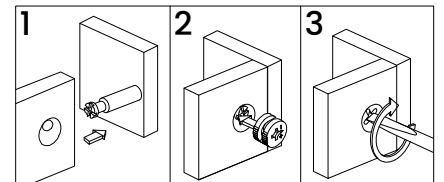
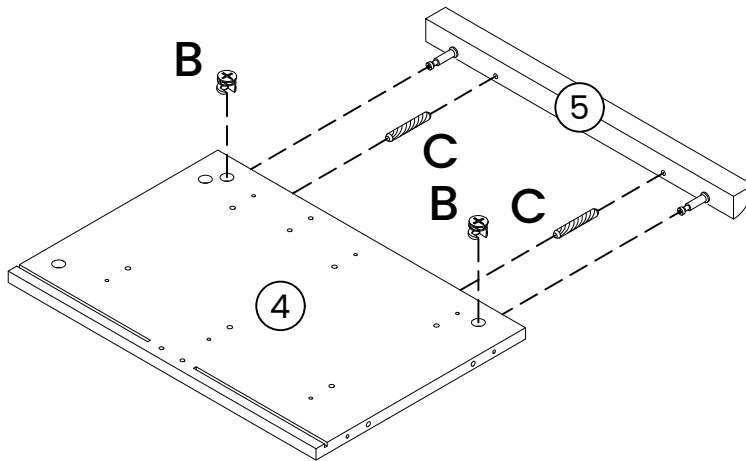
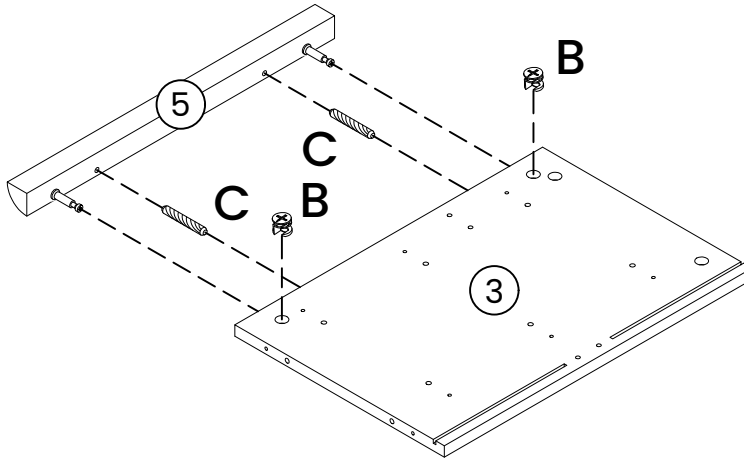
A



x4

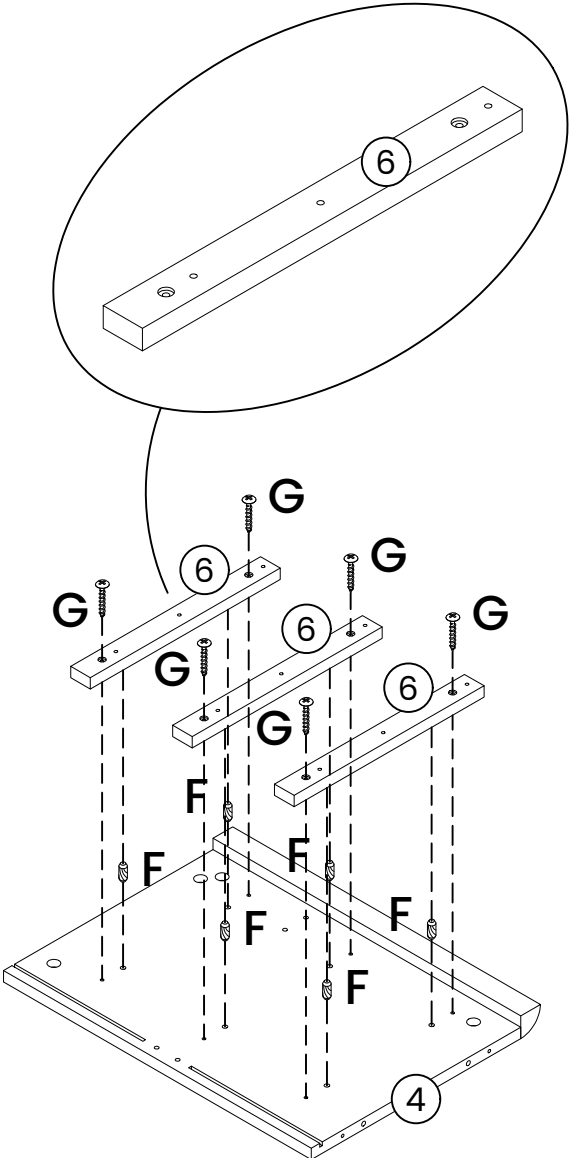
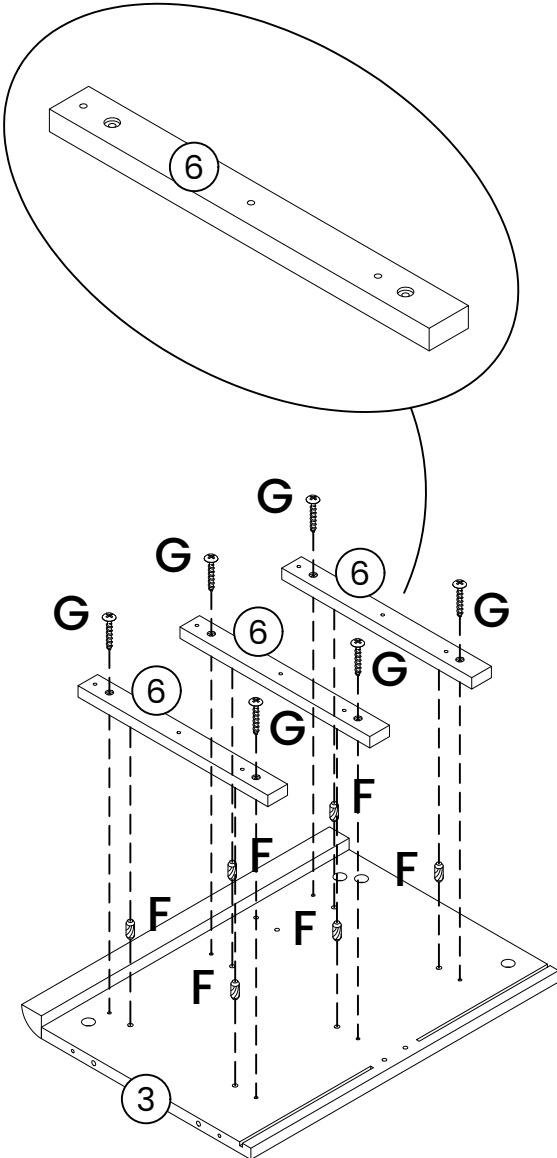
Note:

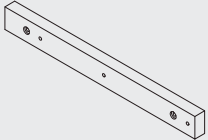
Step 2 / 25



Note:

Step 3 / 25

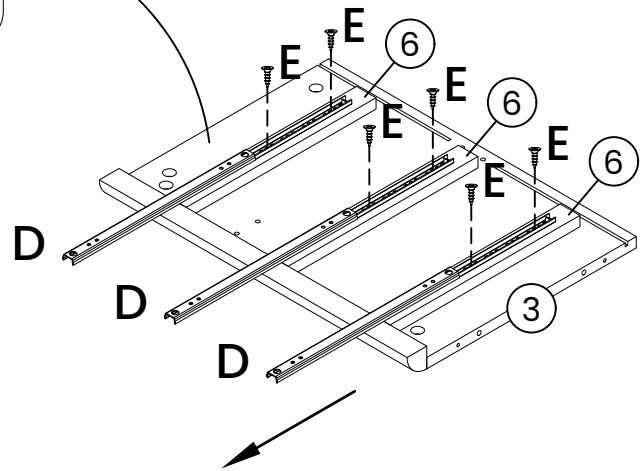
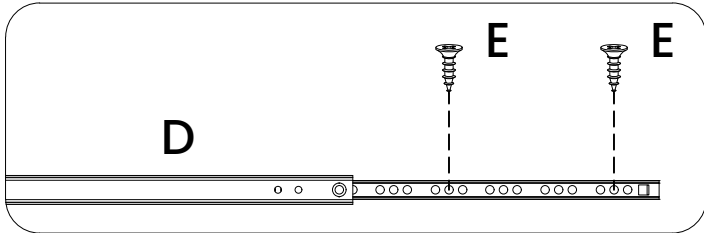
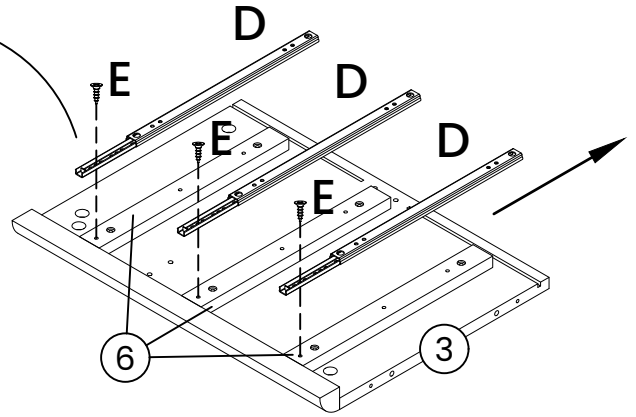
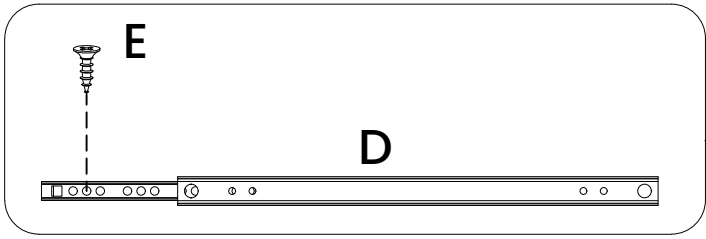


6  x6

F  x12 G  x12

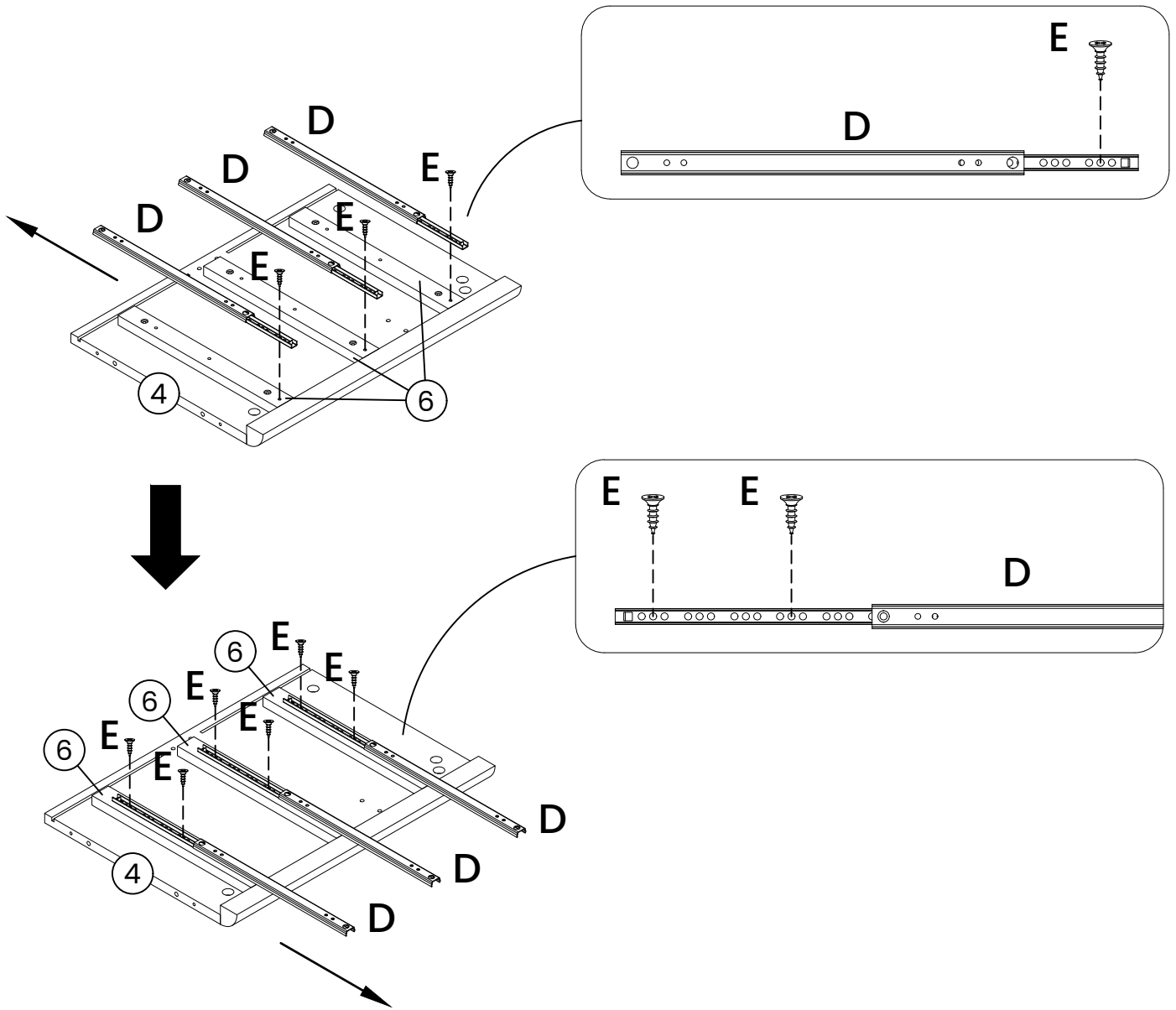
Note:

Step 4 / 25



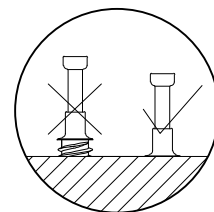
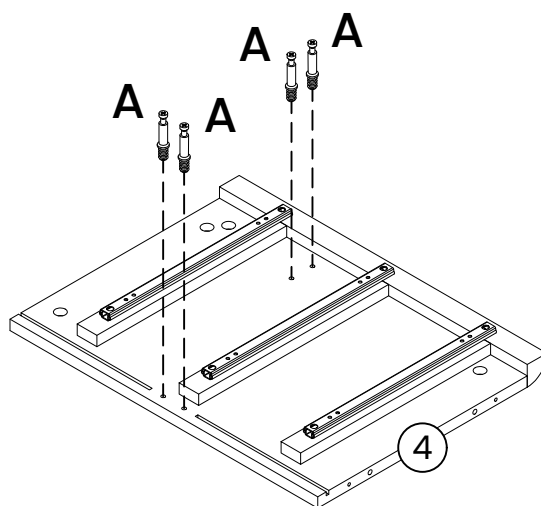
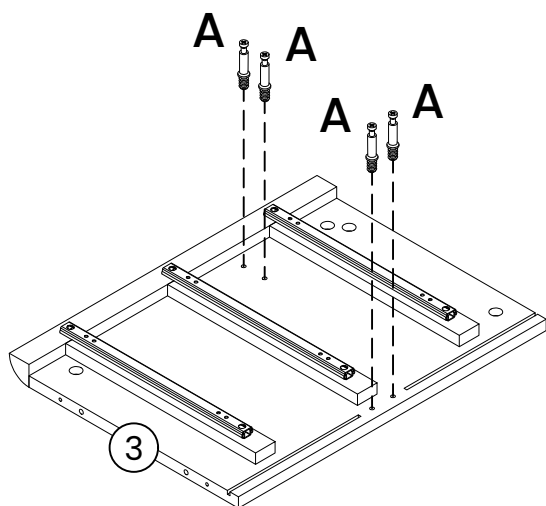
Note: To locate correct holes, slide(D) needed to be moved in 2 directions.


Step 5 / 25



Note: To locate correct holes, slide(D) needed to be moved in 2 directions.

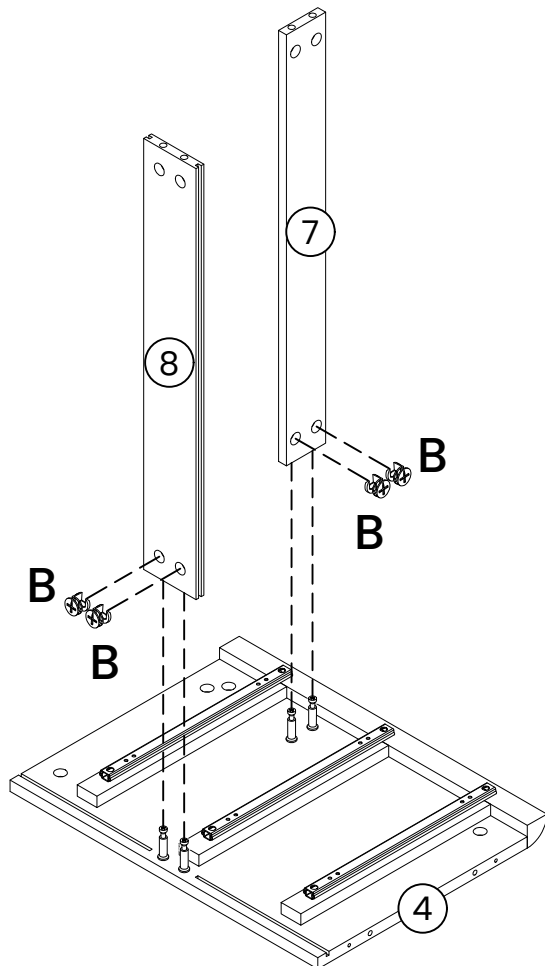
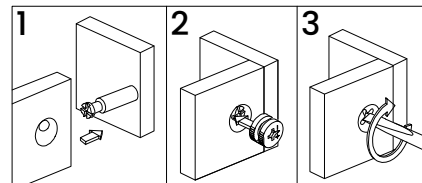
Step 6 / 25



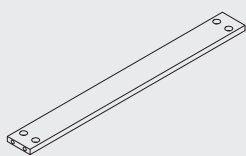
A  x8

Note:

Step 7 / 25

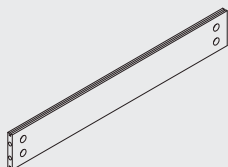


7



x1

8



x1

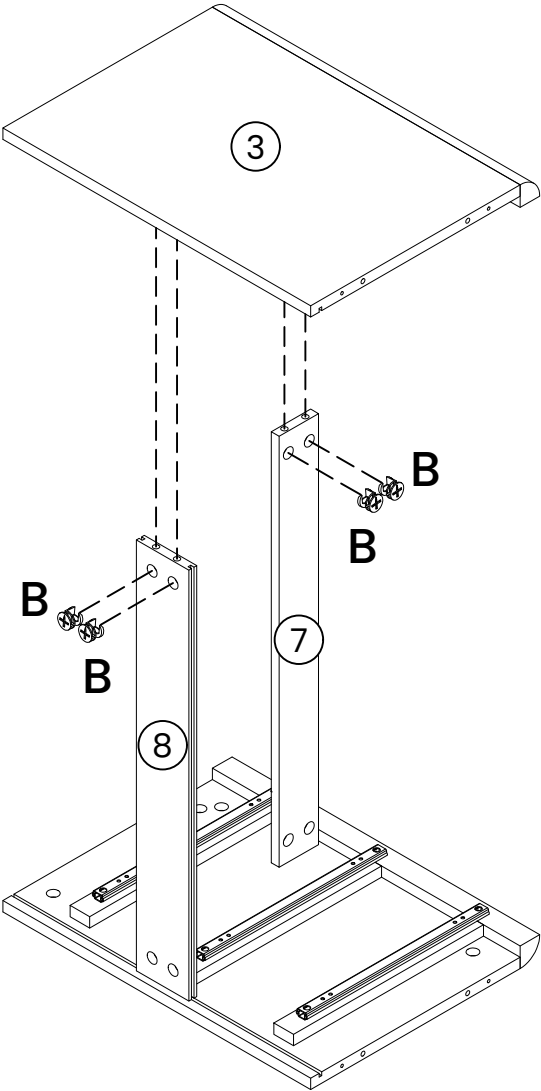
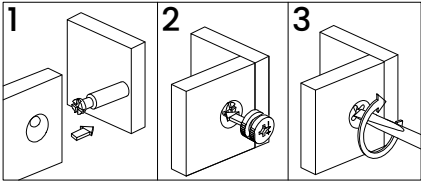
B



x4

Note:

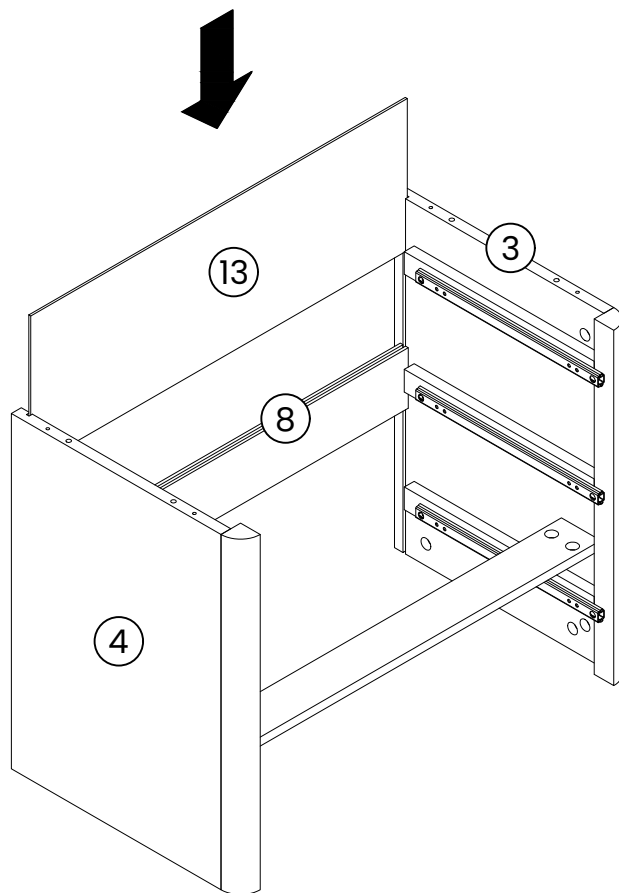
Step 8 / 25



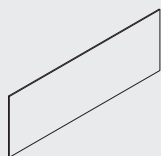
B  x4

Note:

Step 9 / 25

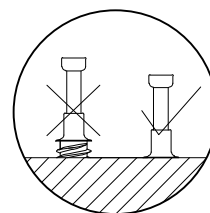
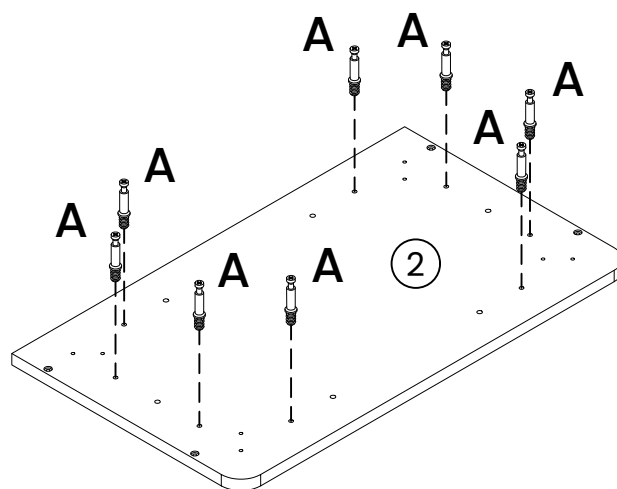


13 x1

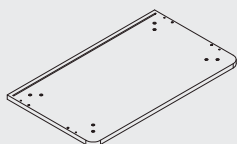


Note:

Step 10 / 25



2



x1

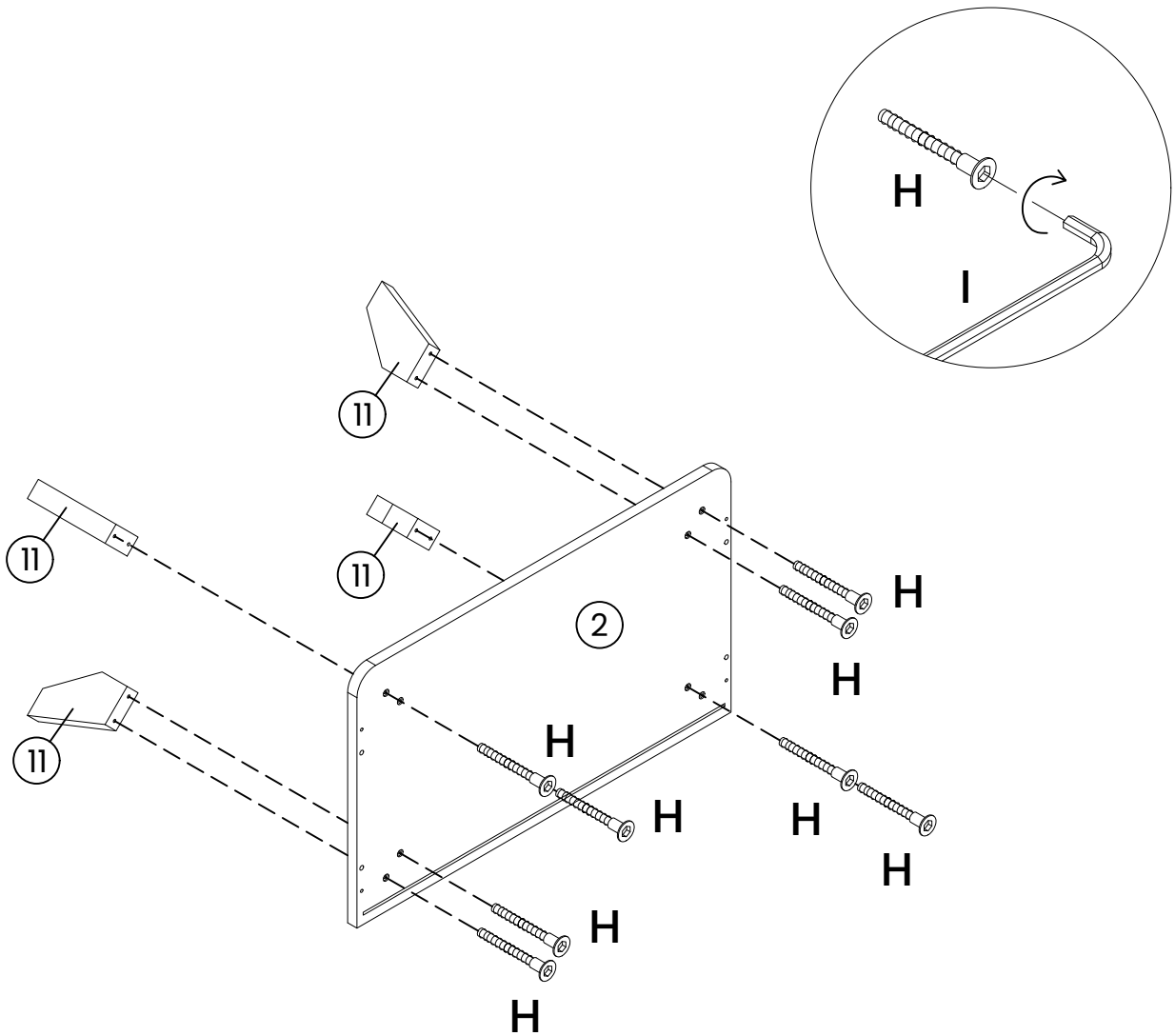
A



x8

Note:

Step 11 / 25

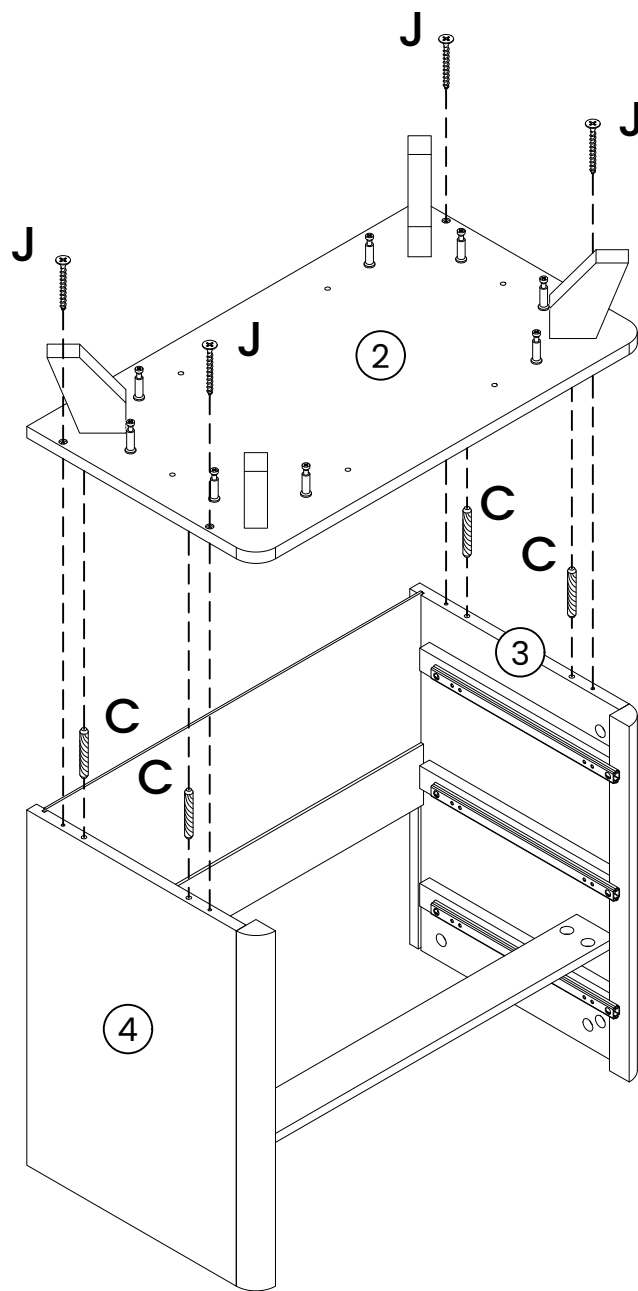



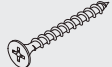
11  x4

H  x8 I  x1

Note:

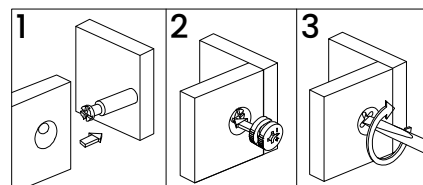
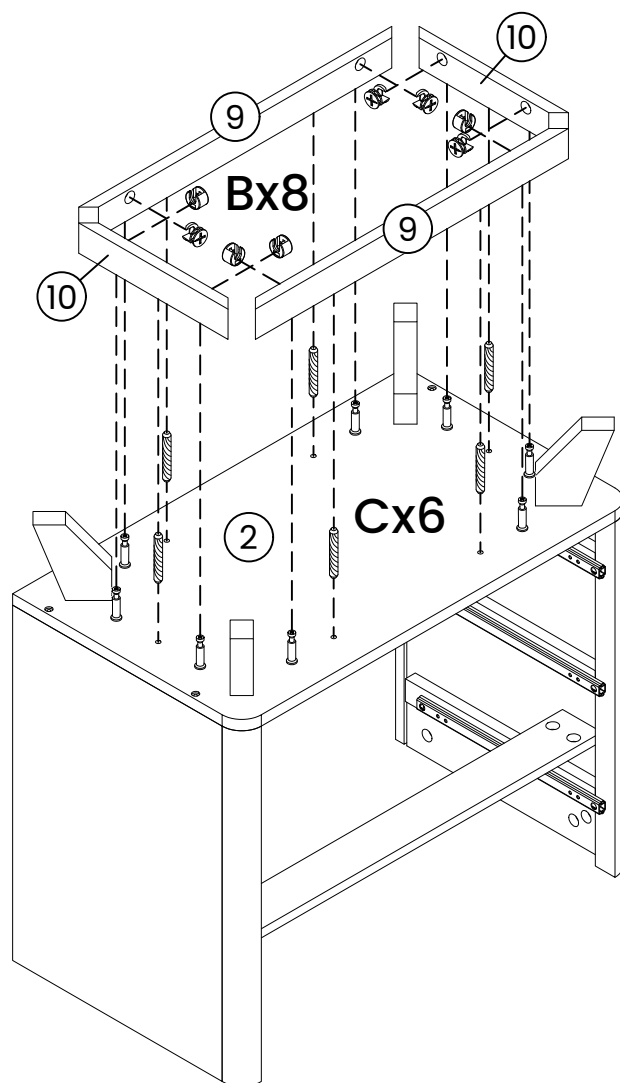
Step 12 / 25



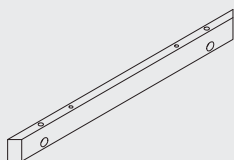
C  x4 J  x4

Note:

Step 13 / 25

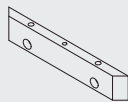


9



x2

10



x2

B



x8

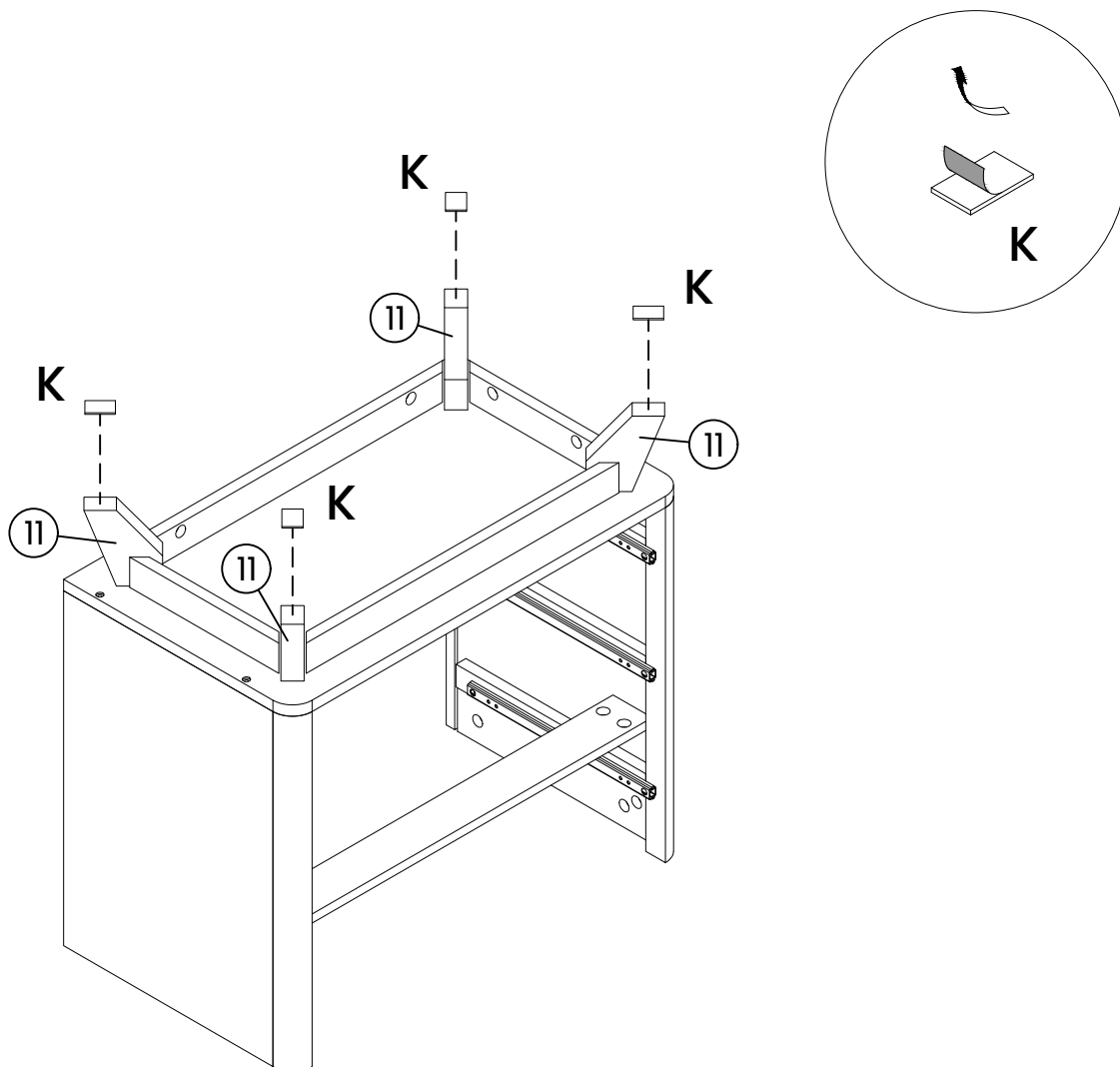
C




x6

Note:

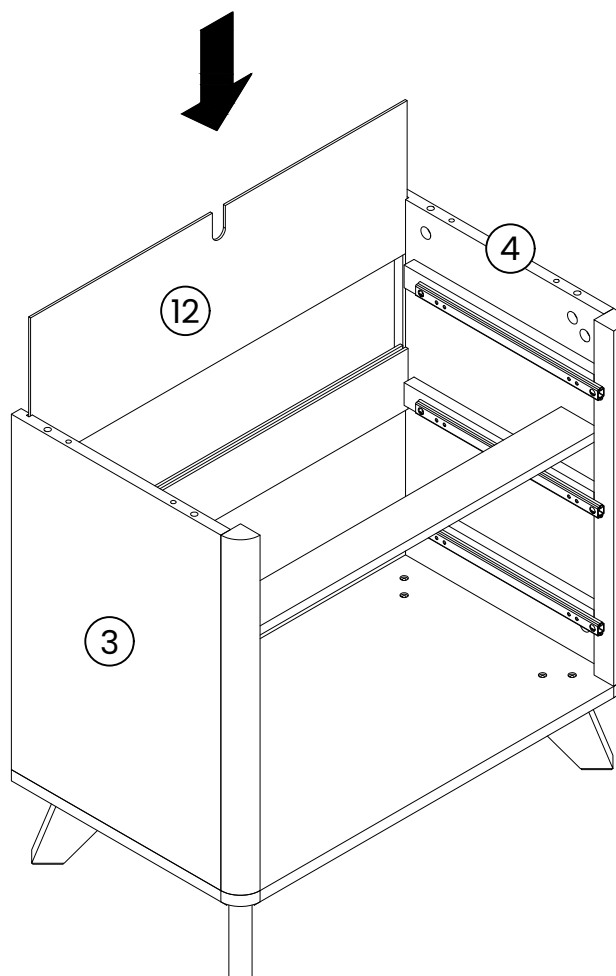
Step 14 / 25



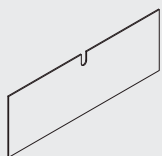
K  x4

Note:

Step 15 / 25

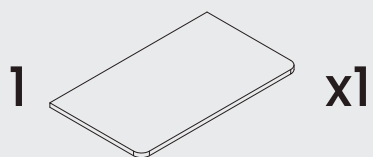
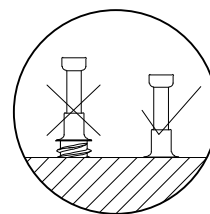
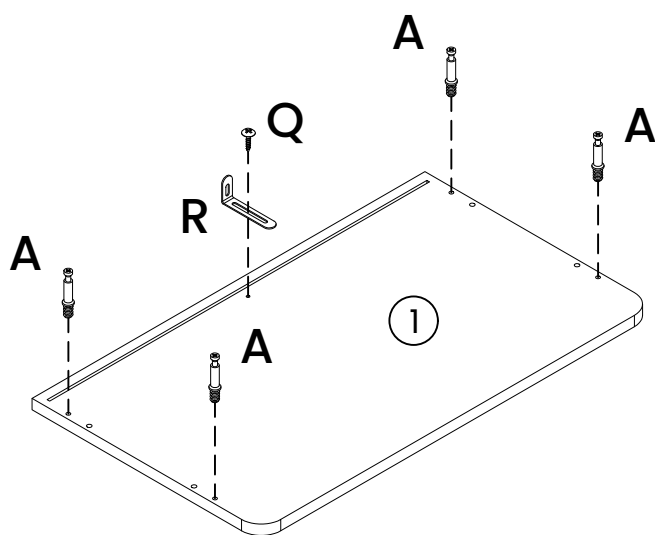


12 x1



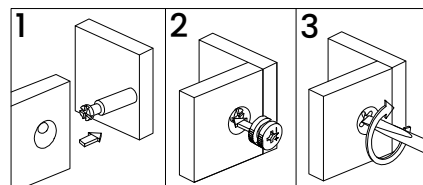
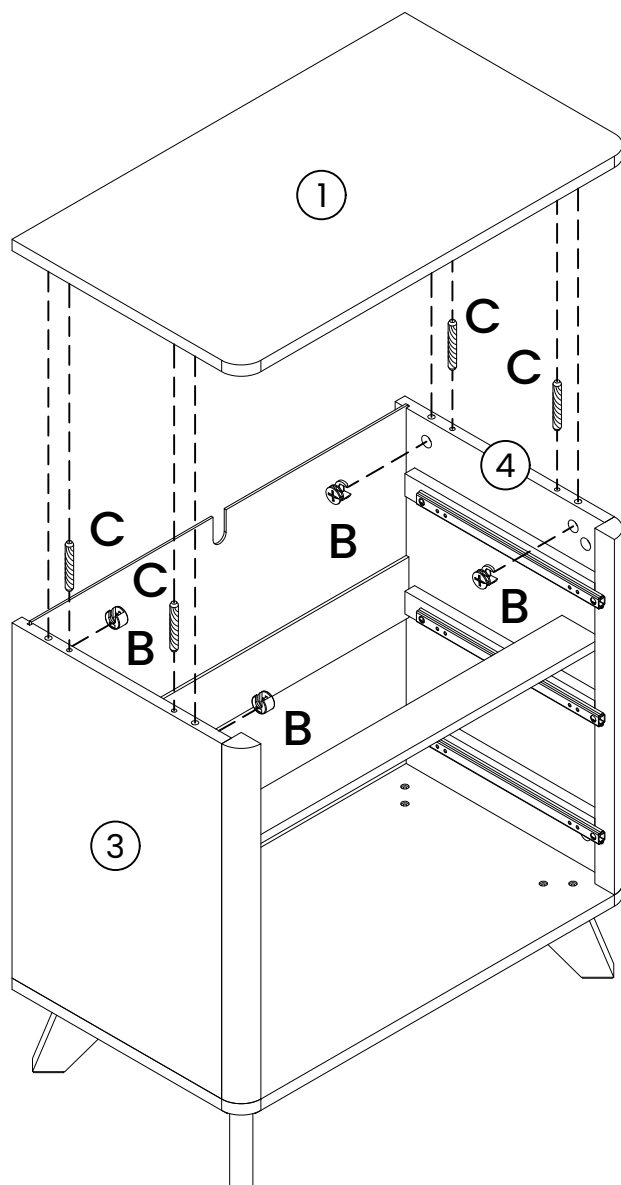
Note:

Step 16 / 25



Note:

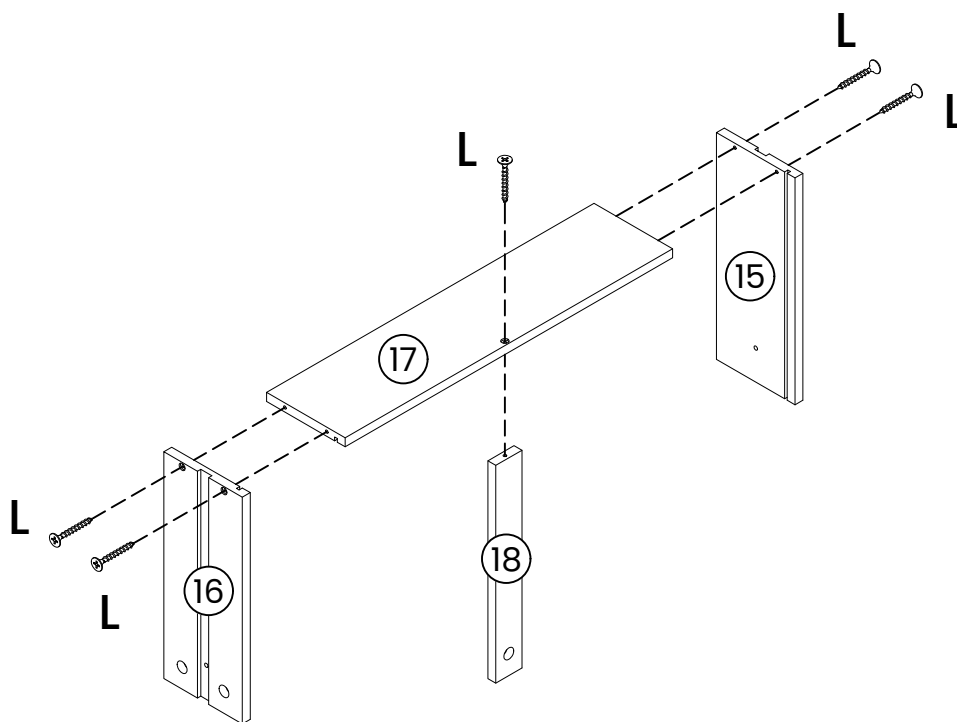
Step 17 / 25



B  x4 C  x4

Note:

Step 18 / 25

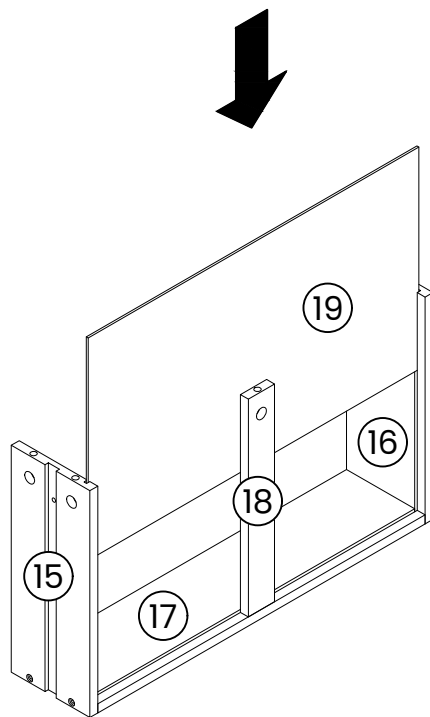


x3



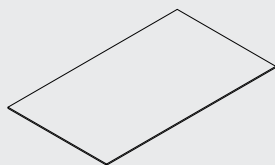
Note:

Step 19 / 25



x3

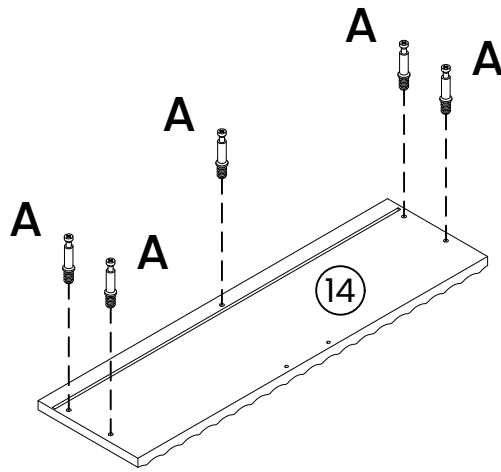
19



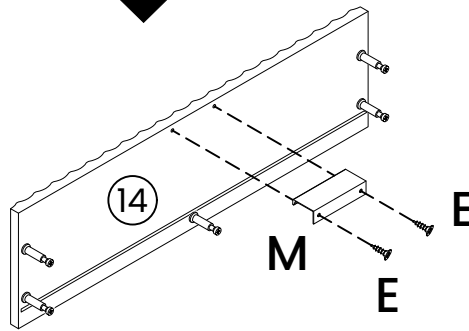
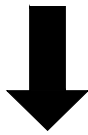
x3

Note:

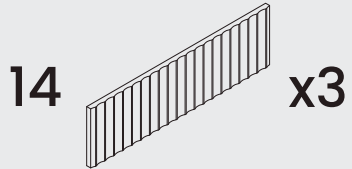
Step 20 / 25



x3

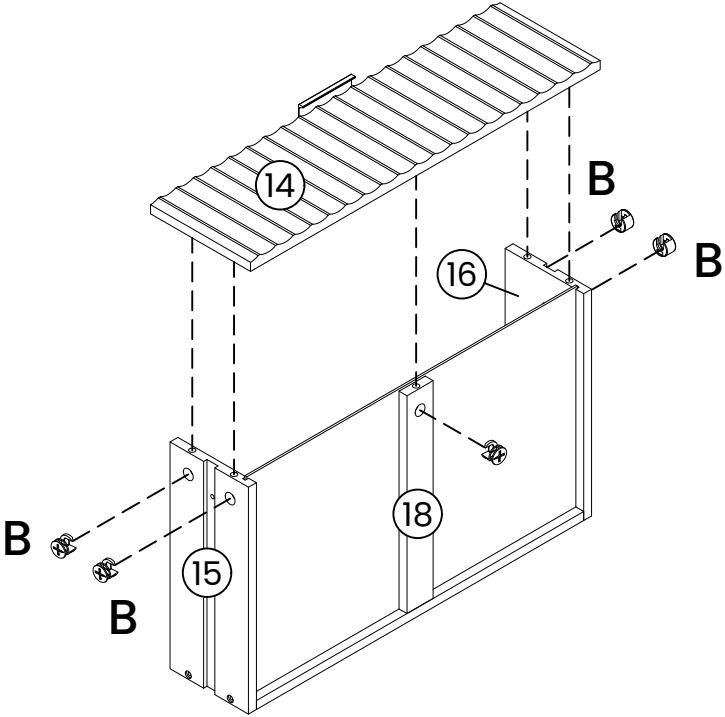
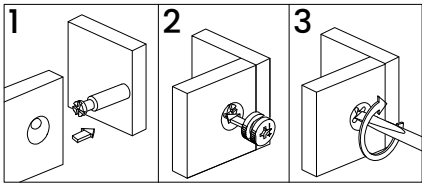


x3



Note:

Step 21 / 25

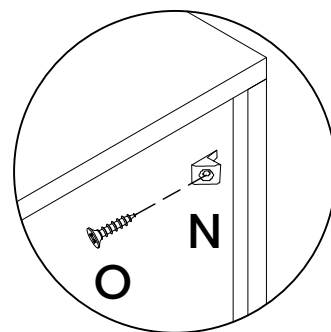
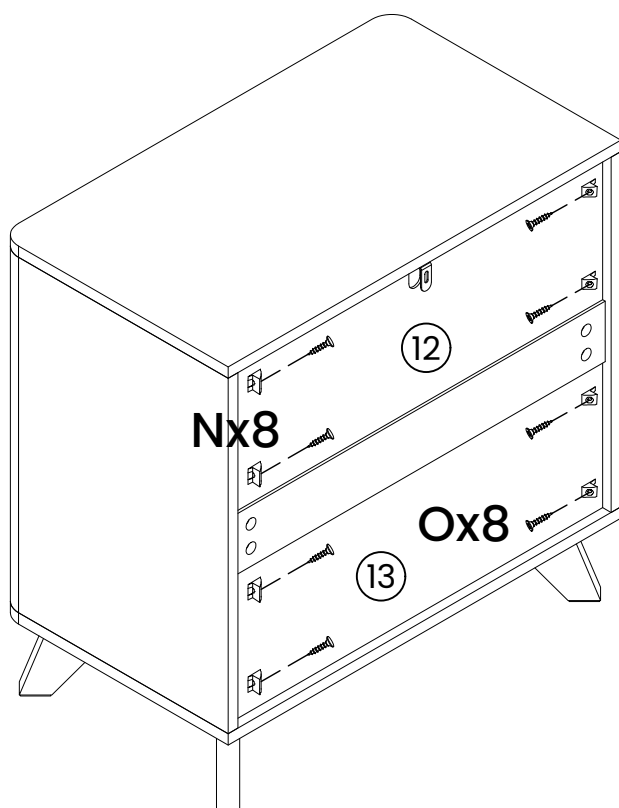




x3

B  x15

Note:

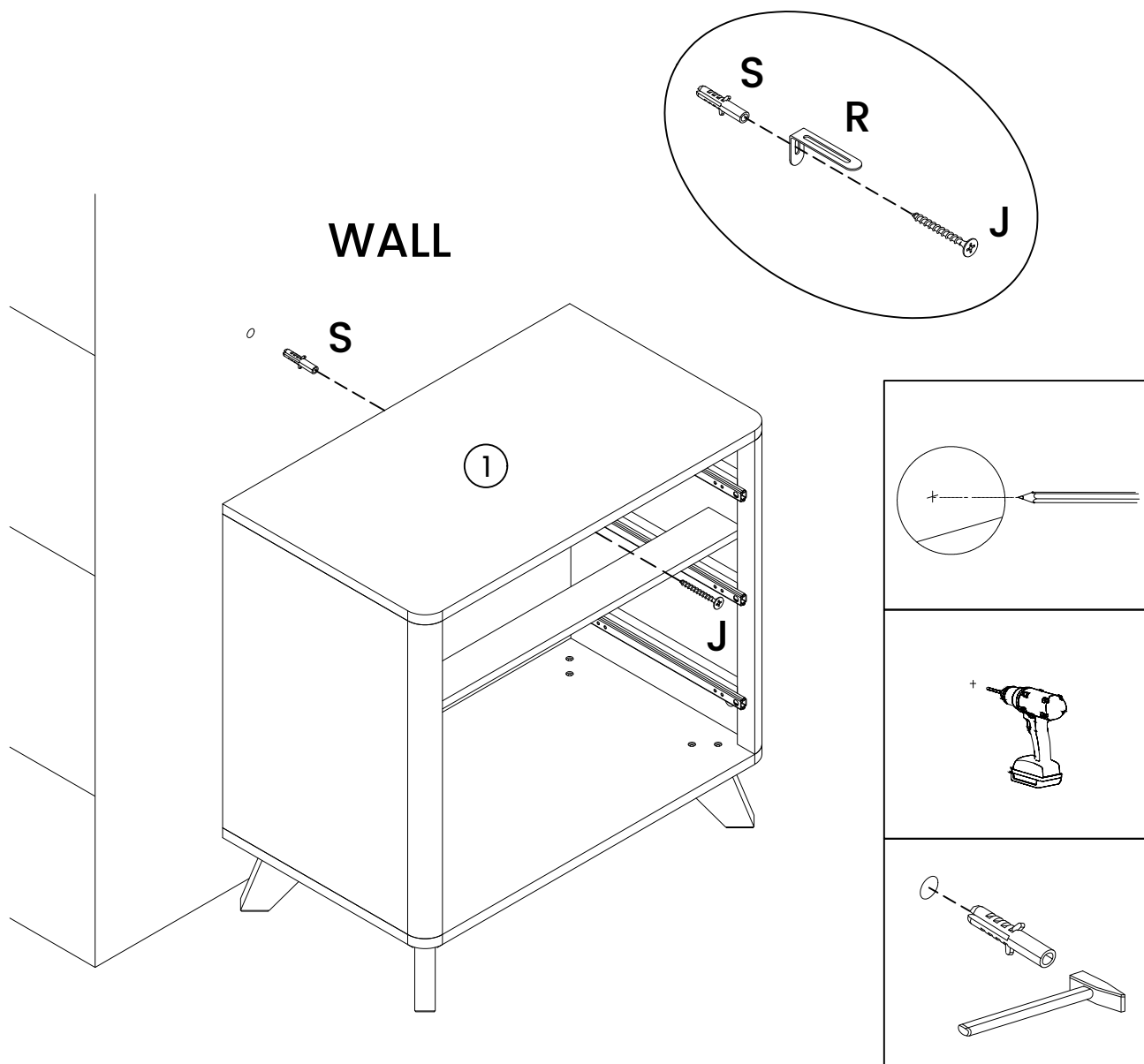
Step 22 / 25

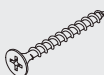
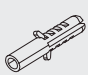


N  x8 O  x8

Note:

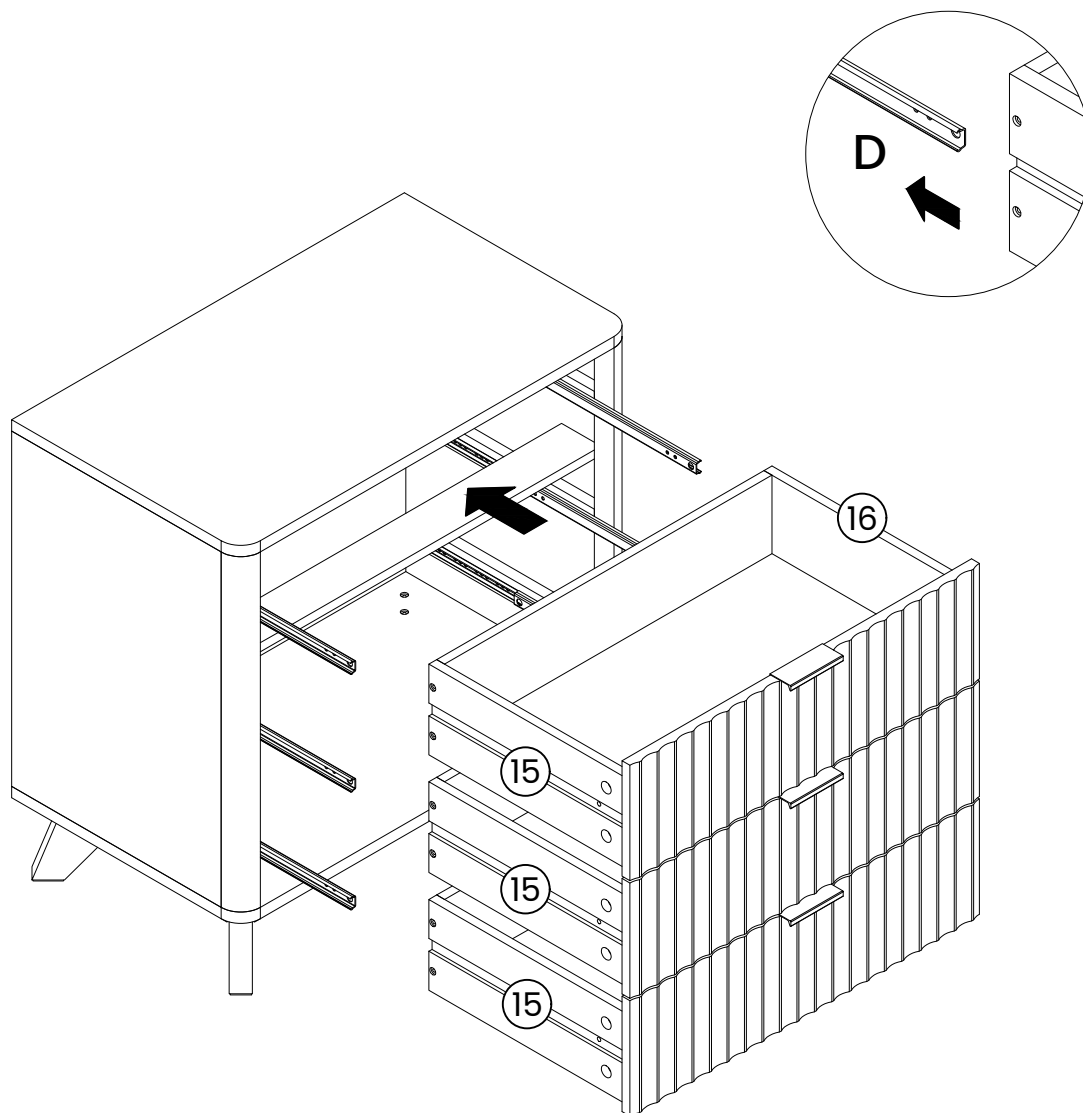
Step 23 / 25



J  x1 S  x1

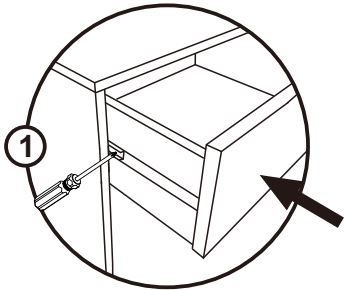
Note:

Step 24 / 25

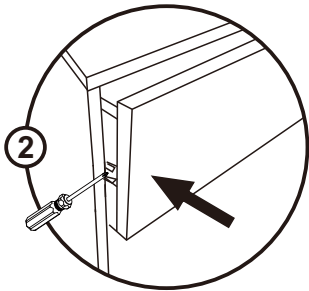


Note:

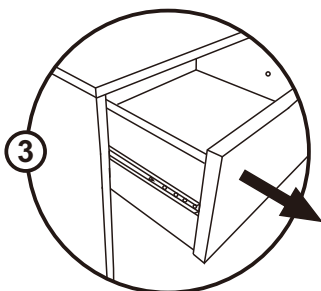
You may need patience to get a perfect smooth slide of drawer experience, and we appreciate your patience. Asking for a second person to assist you will simplify the process.



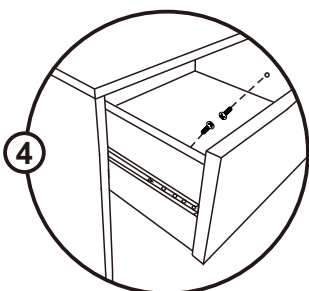
1.Align Components: Position the groove on the drawer side to match the rail profile. Insert a precision tool (e.g., screwdriver tip) into the outermost hole of the slide rail. Ensure both sides are aligned symmetrically.



2.Slide Drawer Inward: Gently push the drawer into the cabinet until slide come up against drawer front. This step needs to be done simultaneously for both sides.

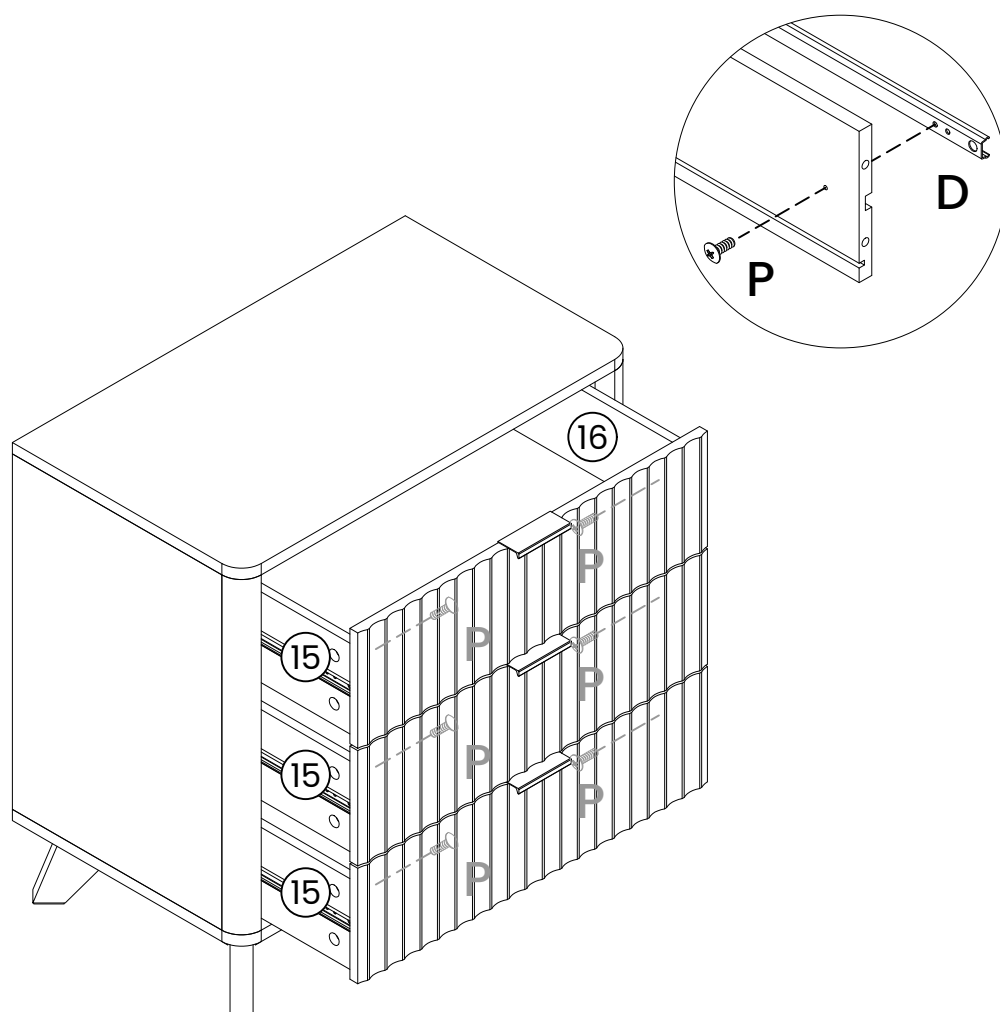


3.Secure & Adjust: While maintaining pressure on the tool, slowly pull the drawer outward until slide can not be moved.



4.Finalize Installation: Locate the pre-drilled mounting holes where the rails meet the drawer sides. Securely tighten all screws on both sides.

Step 25/ 25



P  x6

Note: Screw P needed to be installed from inside of the drawer to outside.

**Thank you for choosing us.
We appreciate your business
and hope you enjoy your new product.**

