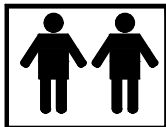
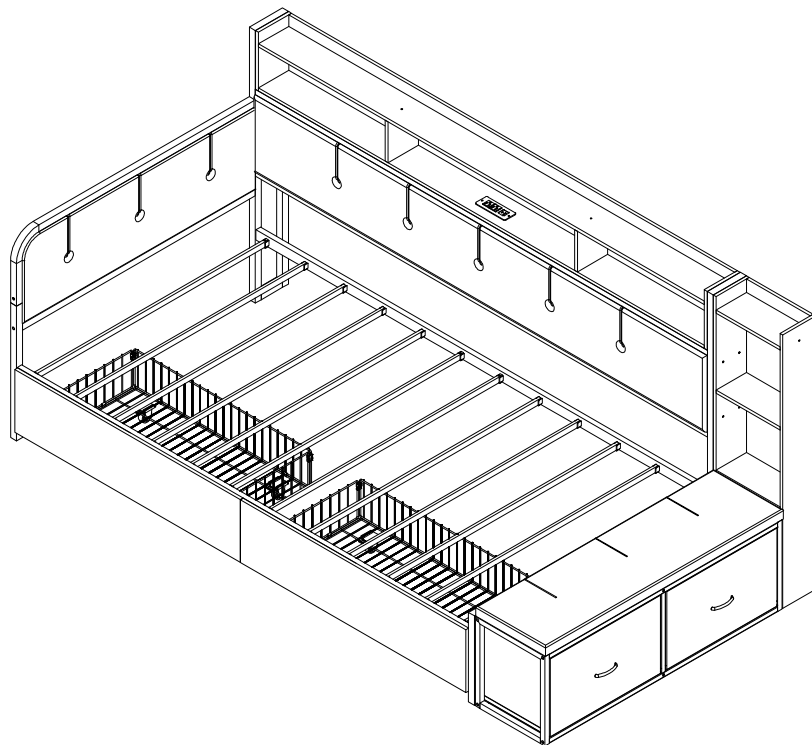


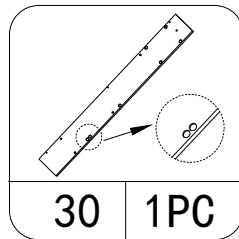
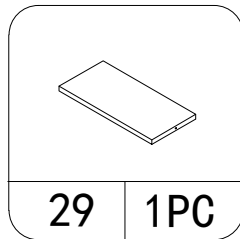
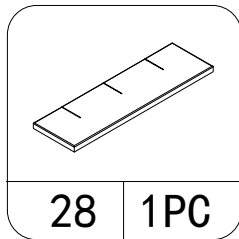
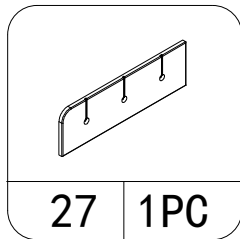
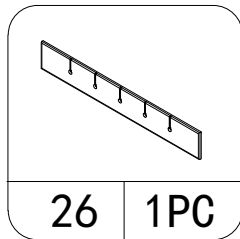
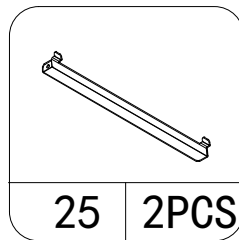
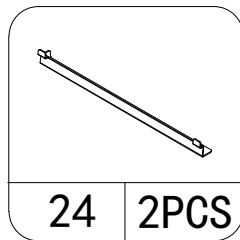
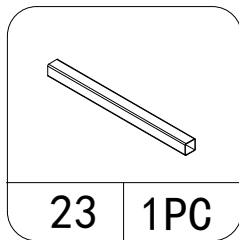
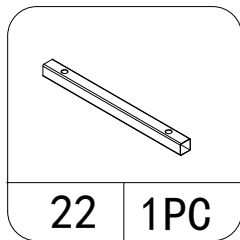
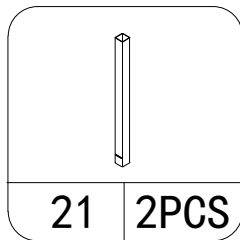
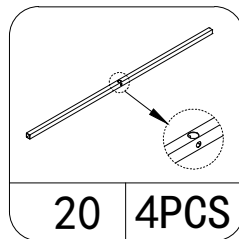
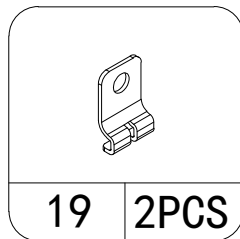
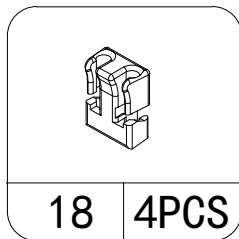
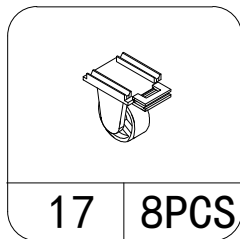
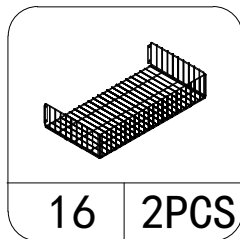
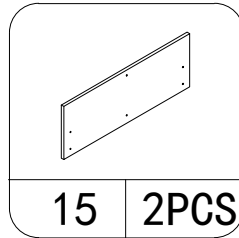
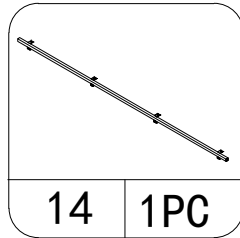
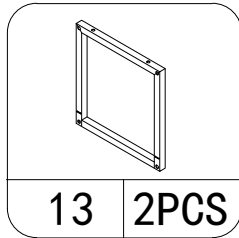
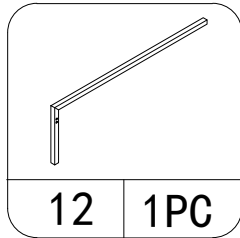
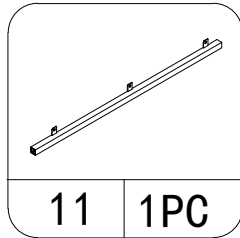
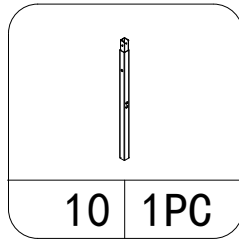
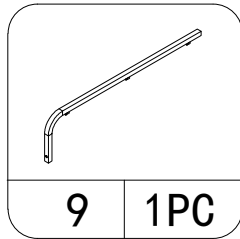
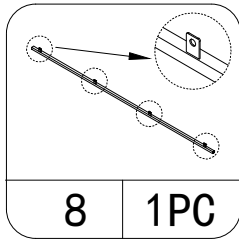
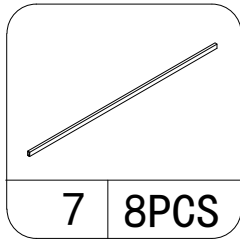
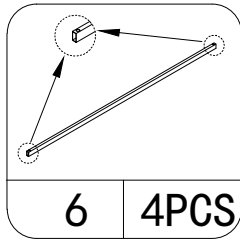
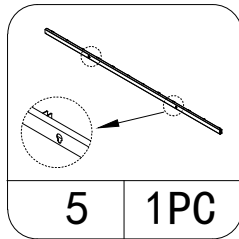
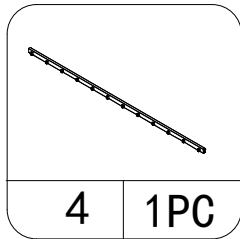
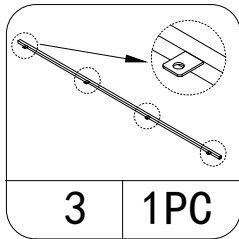
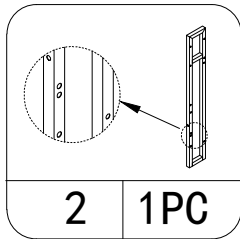
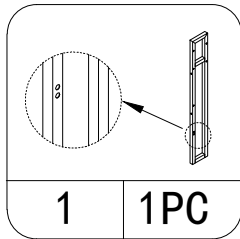
anctor^l

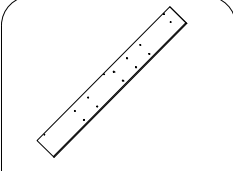
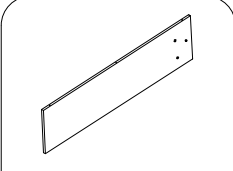
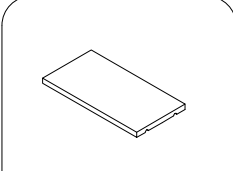
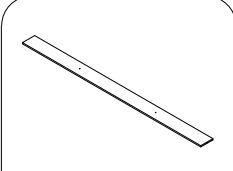
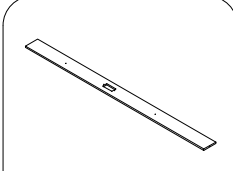
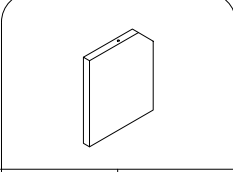
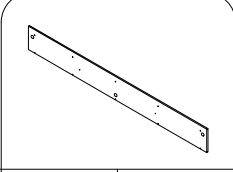
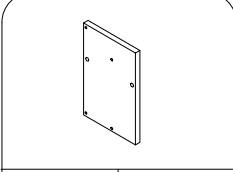
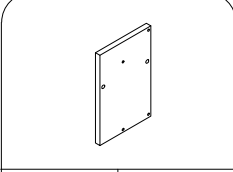
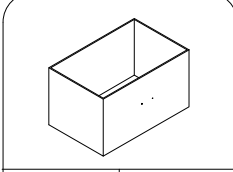
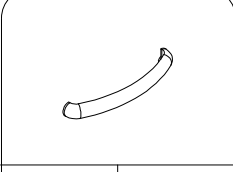
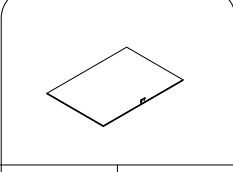
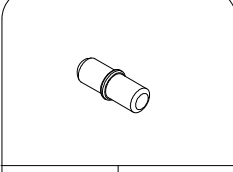
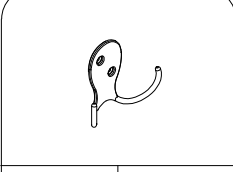
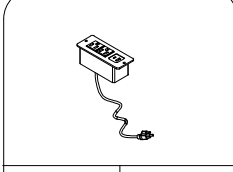
Please don't tighten the screws completely and go back later for a final tightening of all the screws after pieces are aligned with each other





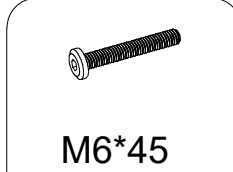


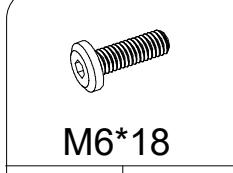
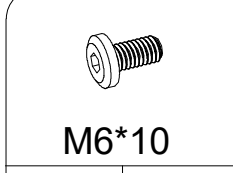
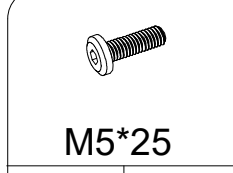
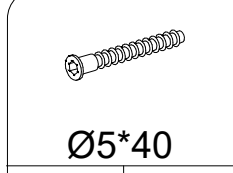
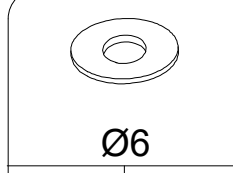
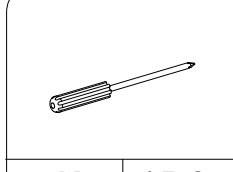
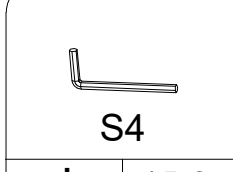
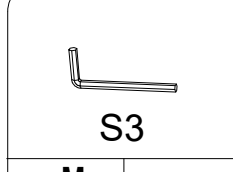
For easier and better assembly,
2 or more adults are required.

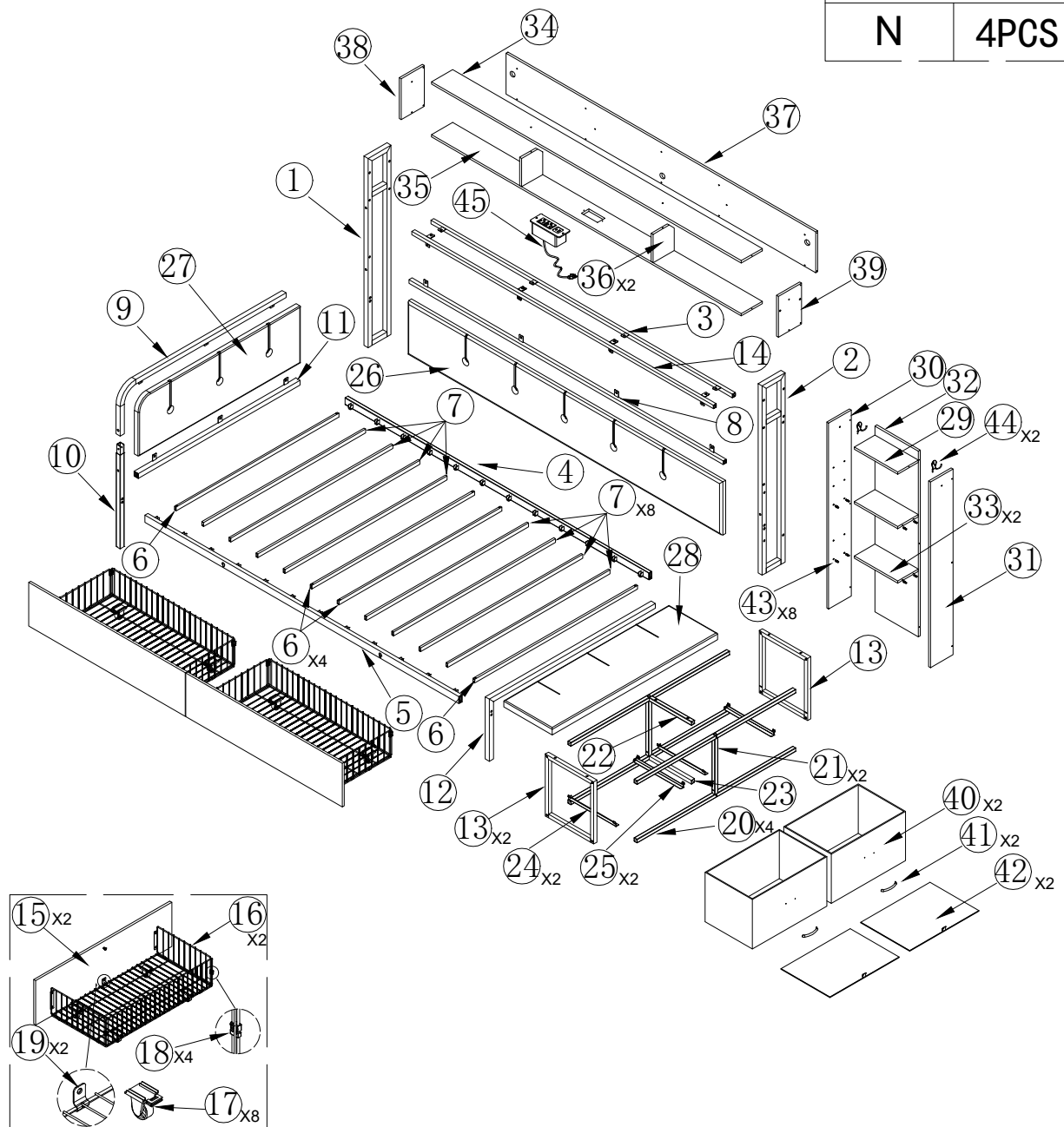
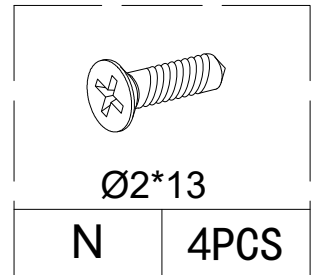
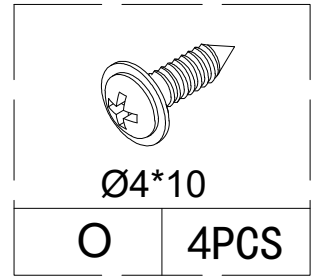
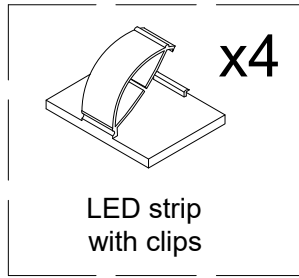
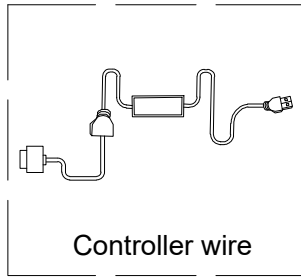
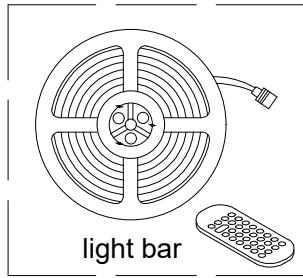
Parts



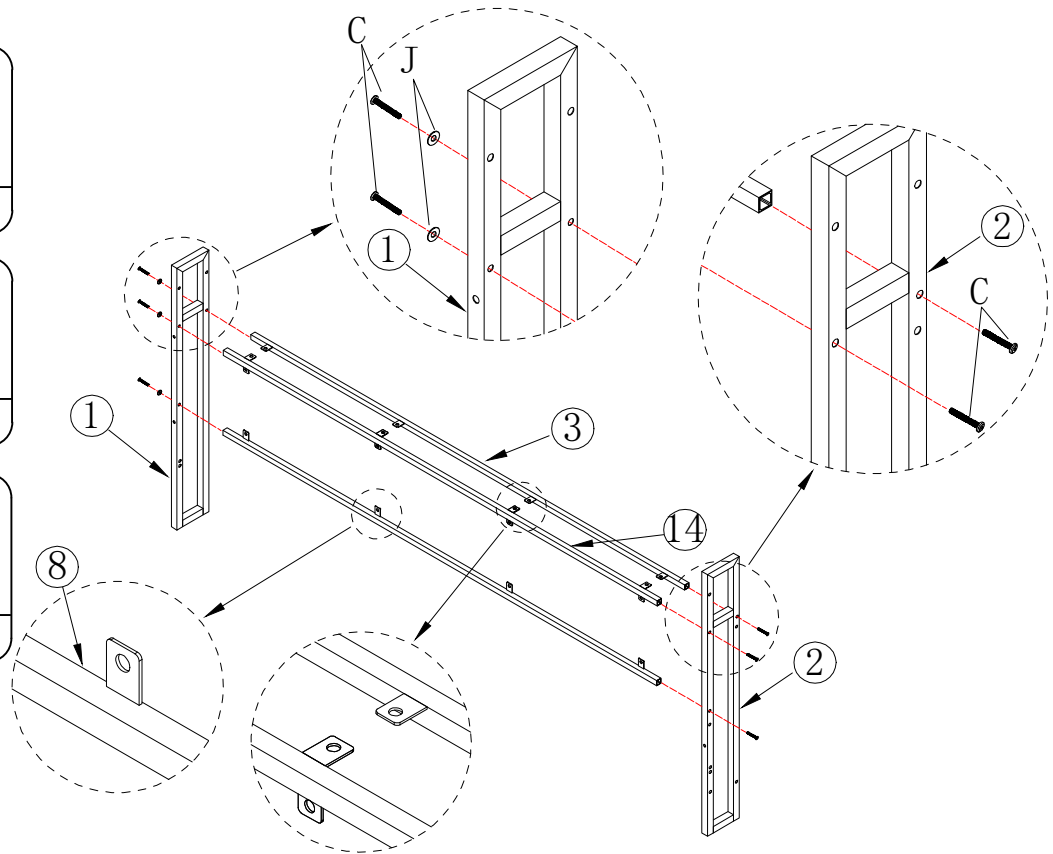
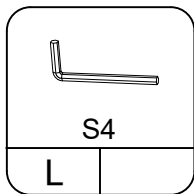
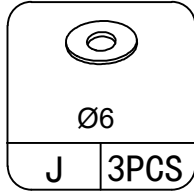
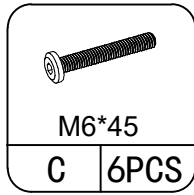
				
31 1PC	32 1PC	33 2PCS	34 1PC	35 1PC
				
36 2PCS	37 1PC	38 1PC	39 1PC	40 2PCS
				
41 2PCS	42 2PCS	43 8PCS	44 2PCS	45 1PC

Hardware List

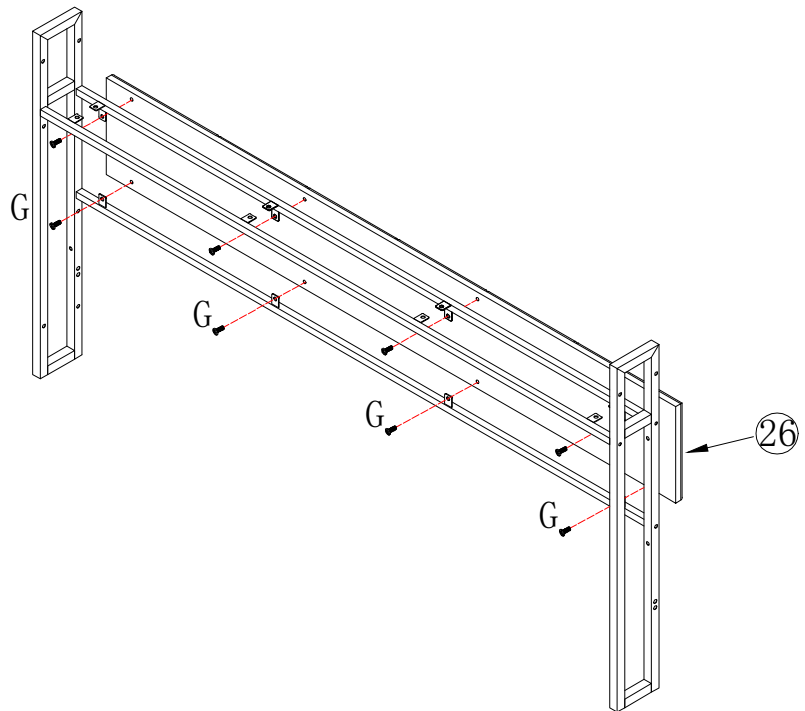
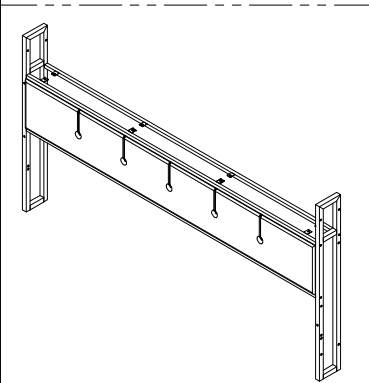
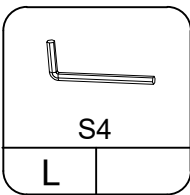
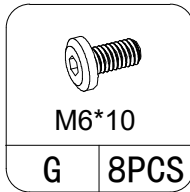
				
M8*45 A 8PCS	Ø3*12 B 2PCS	M6*45 C 10PCS	M6*35 D 20PCS	M6*28 E 6PCS
				
M6*18 F 4PCS	M6*10 G 37PCS	M5*25 H 8PCS	Ø5*40 I 33PCS	Ø6 J 11PCS
				
K 1PC	S4 L 1PC	S3 M 1PC		



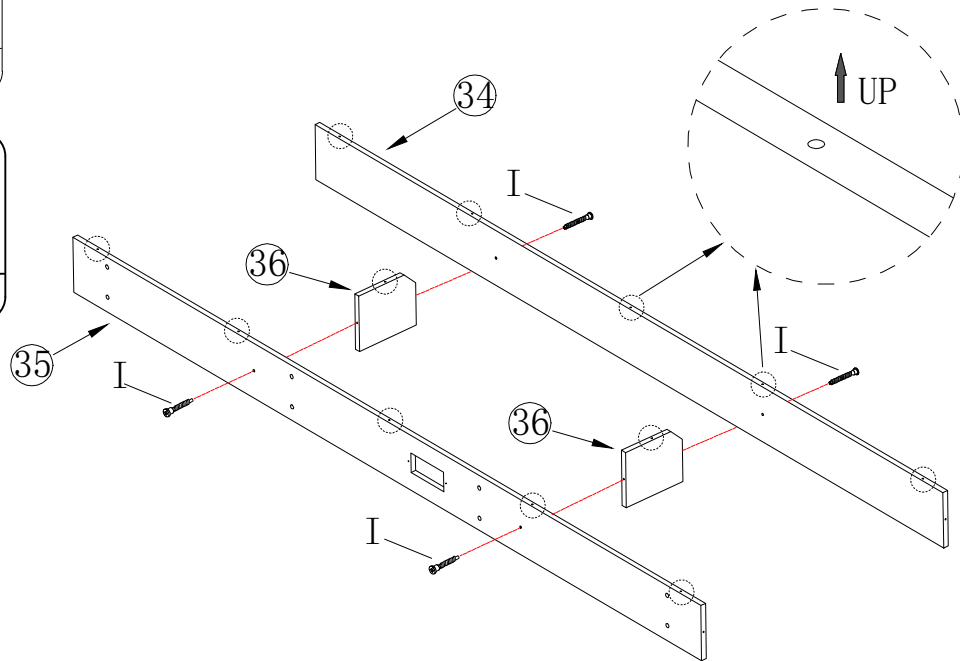
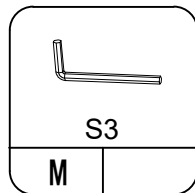
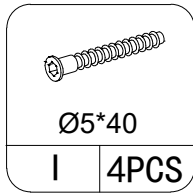
Step1



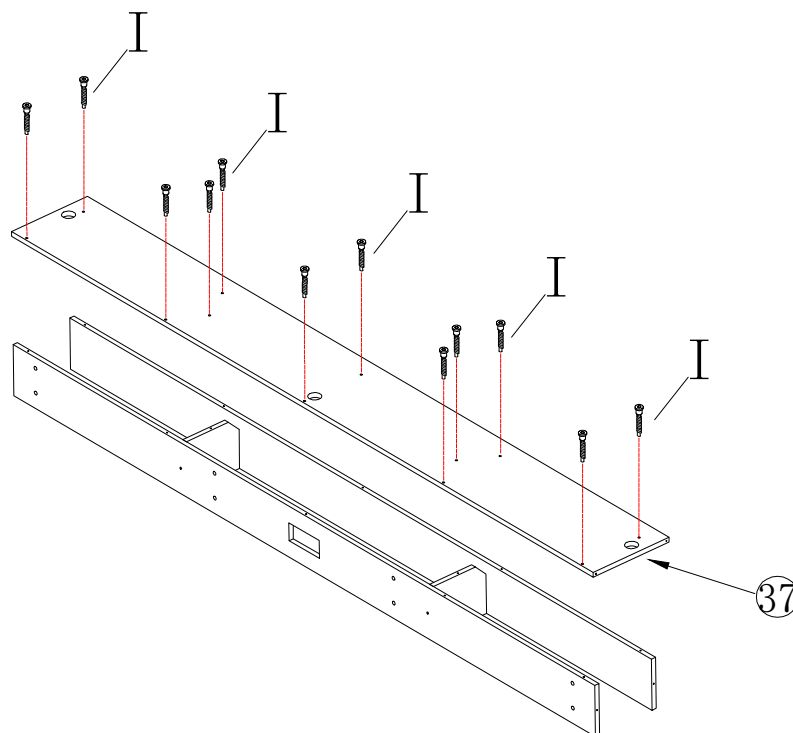
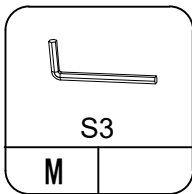
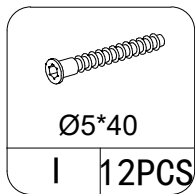
Step2



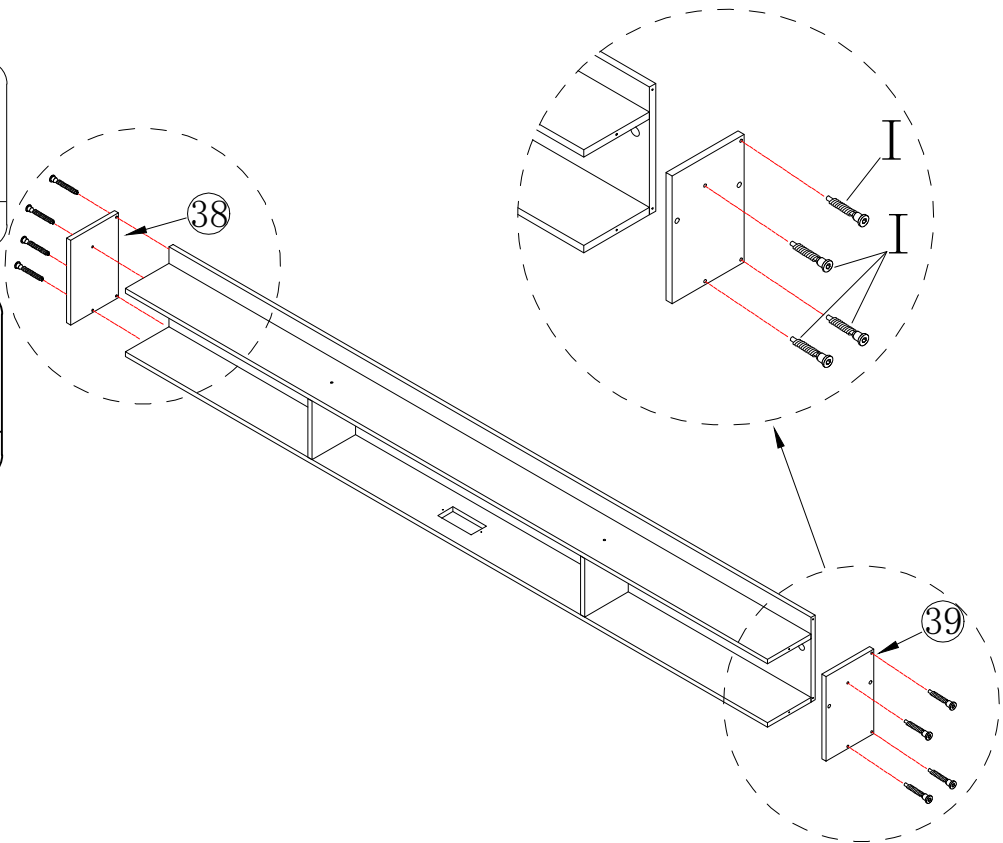
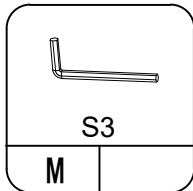
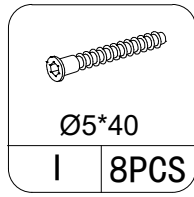
Step3



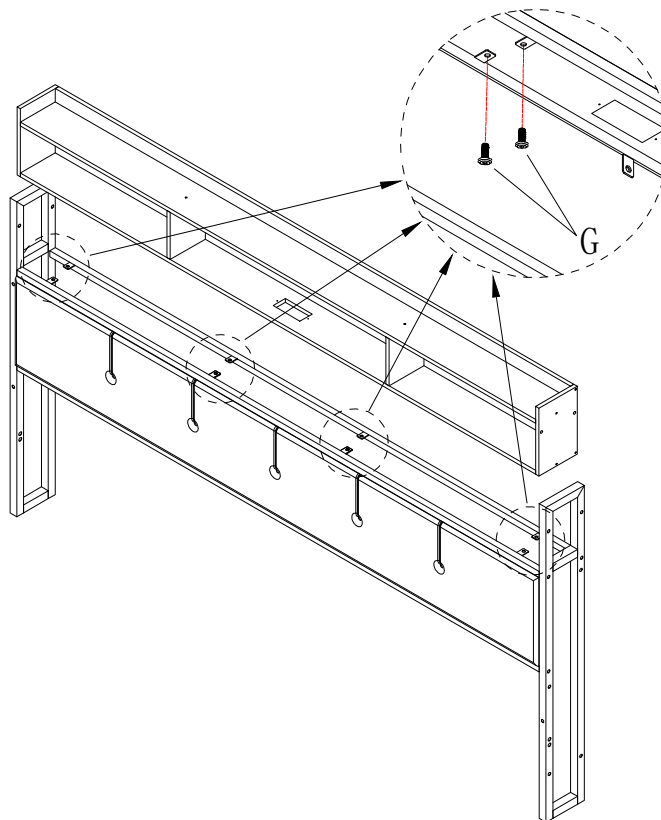
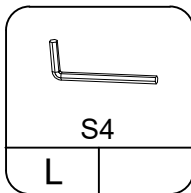
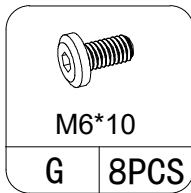
Step4



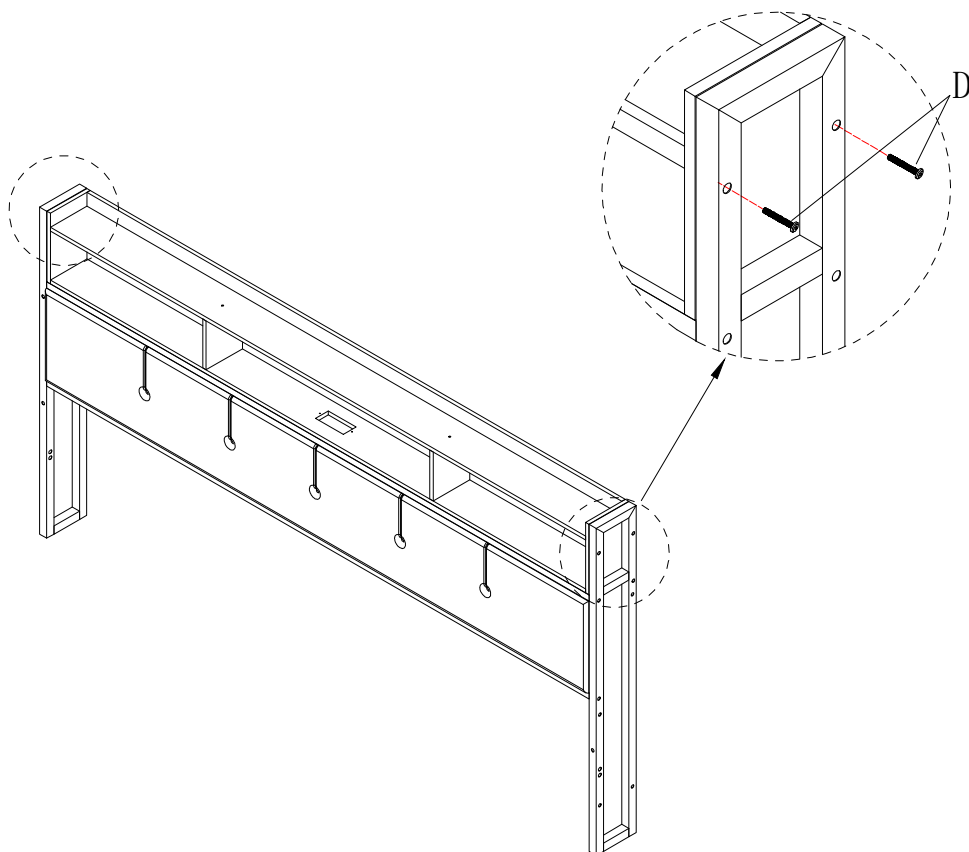
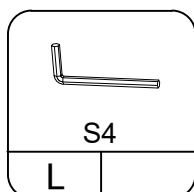
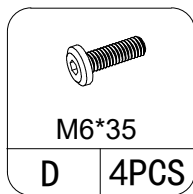
Step5



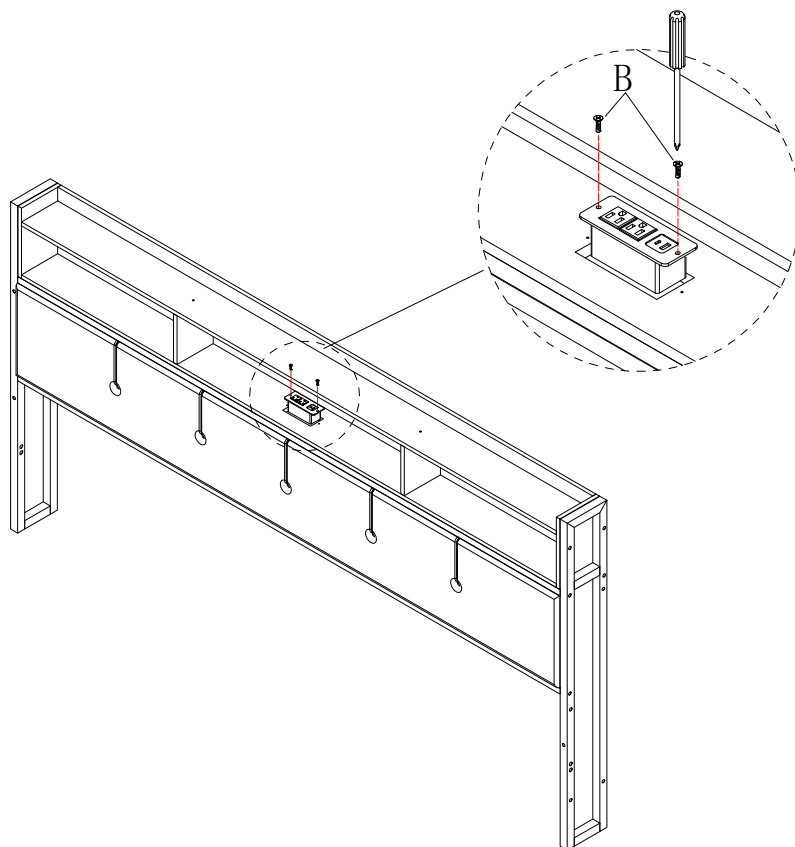
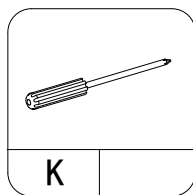
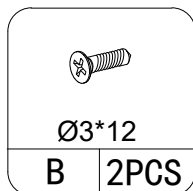
Step6



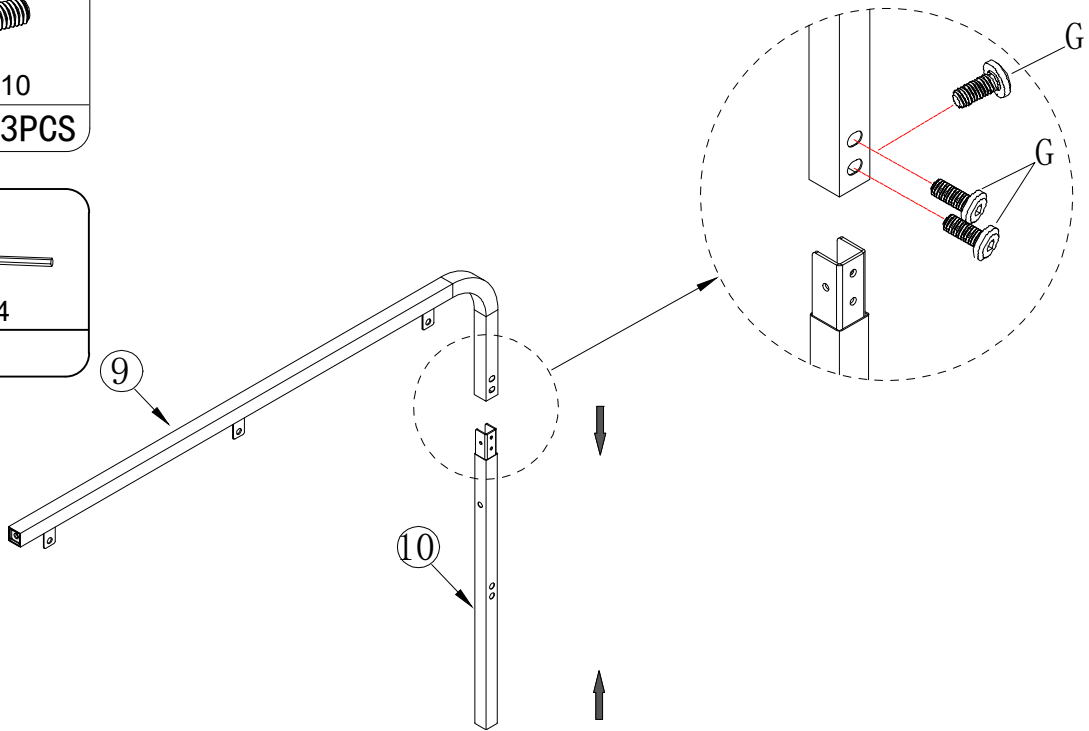
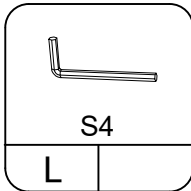
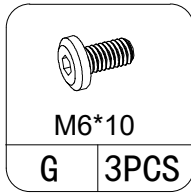
Step7



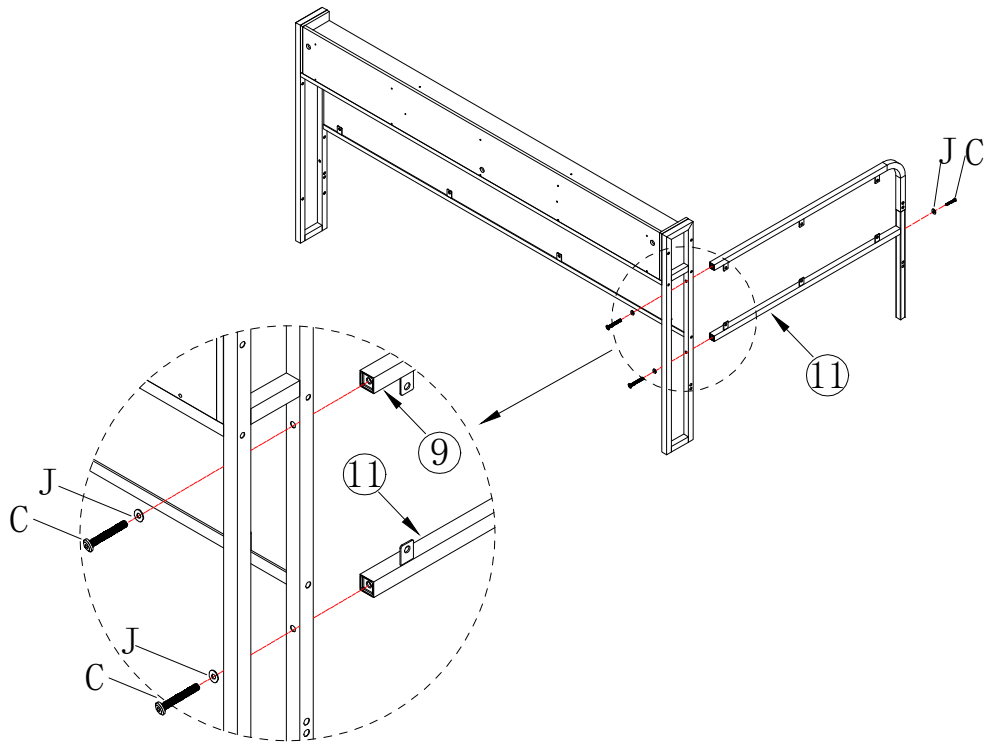
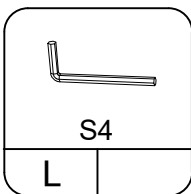
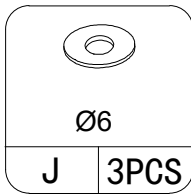
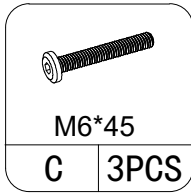
Step8



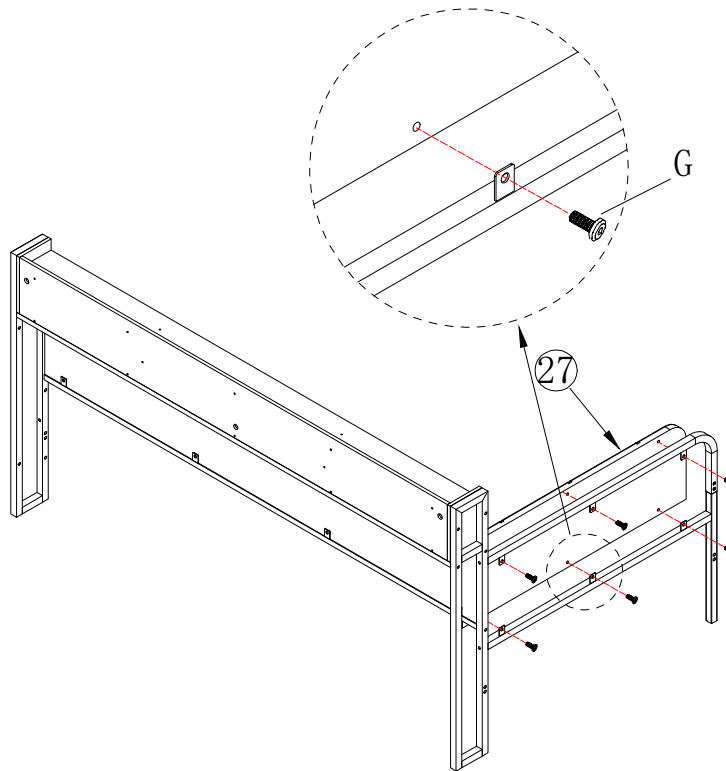
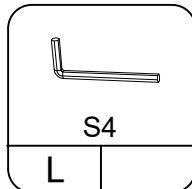
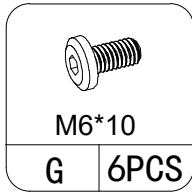
Step9



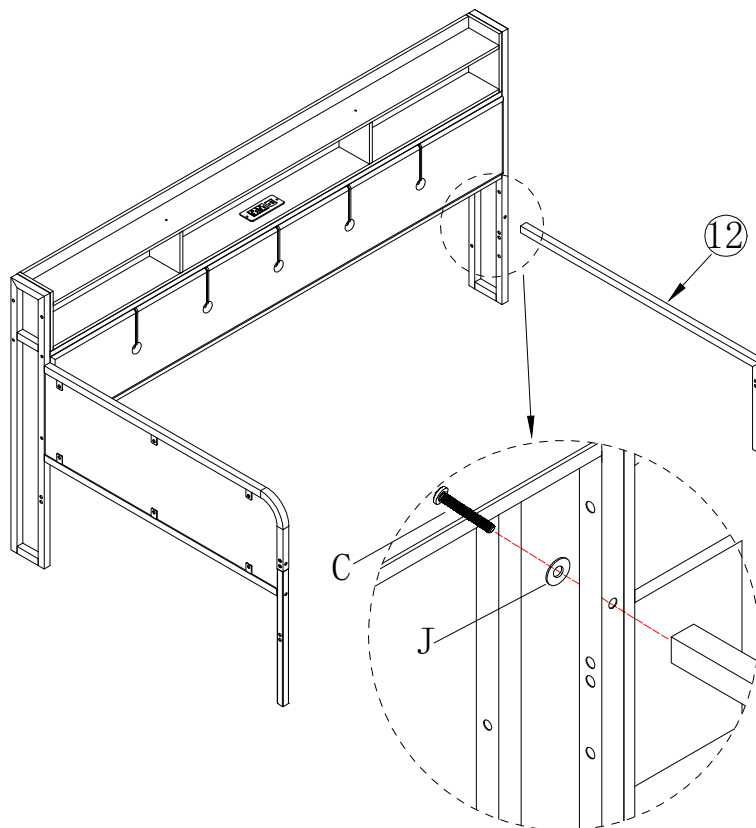
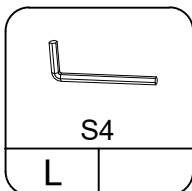
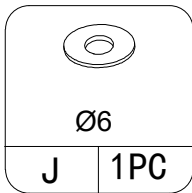
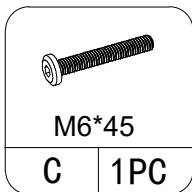
Step10



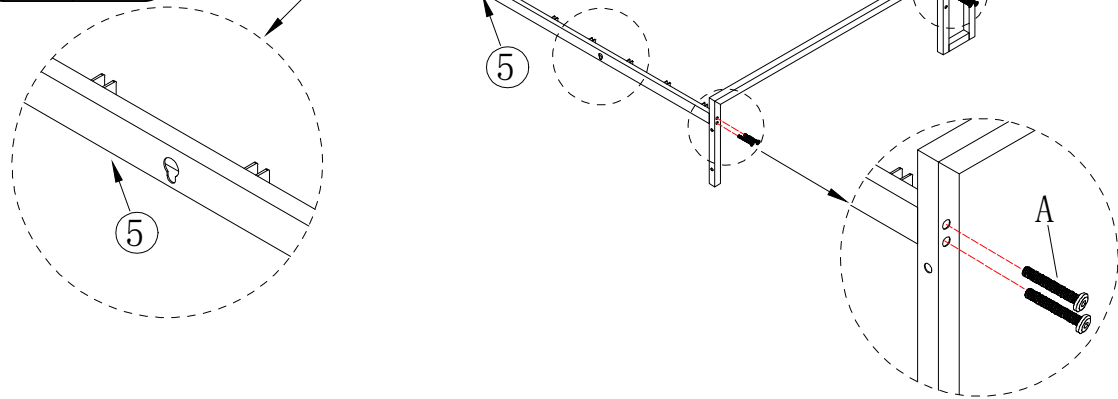
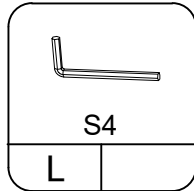
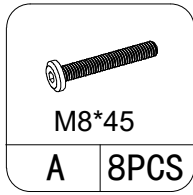
Step11



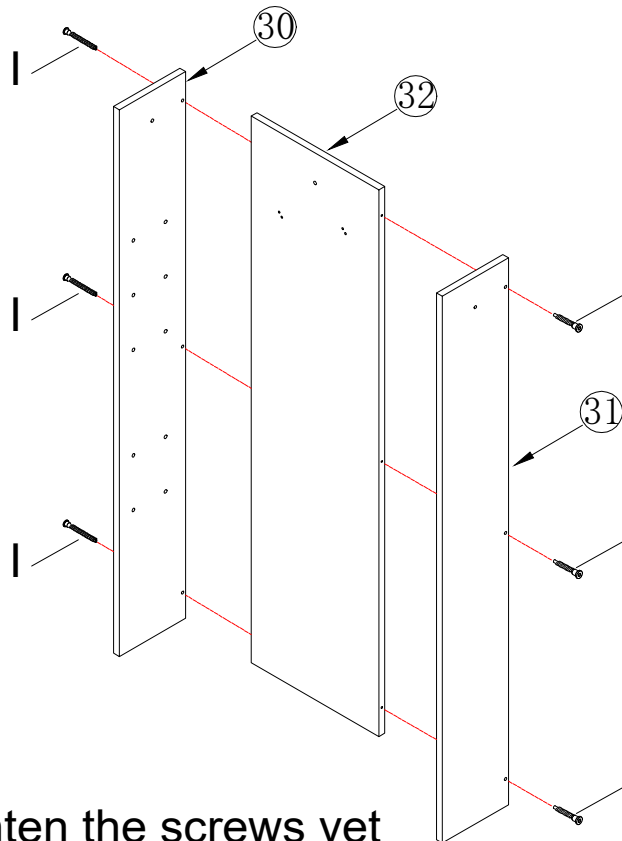
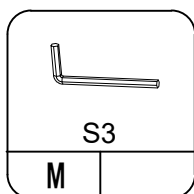
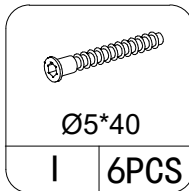
Step12



Step13

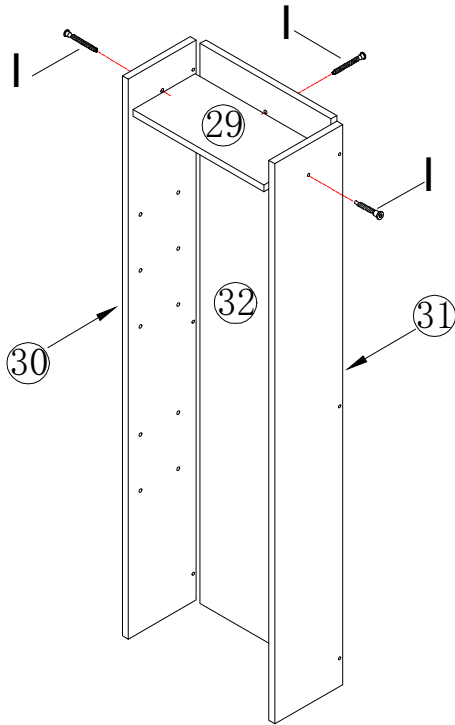
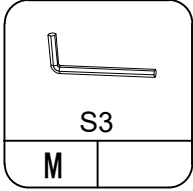
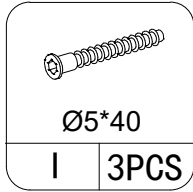


Step14

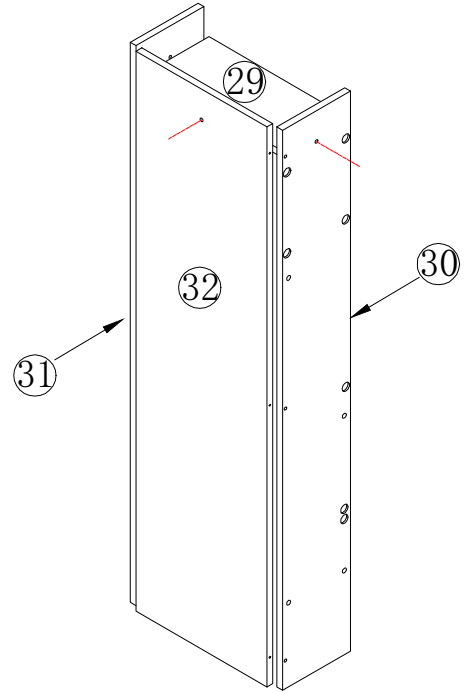


Please do not tighten the screws yet

Step15

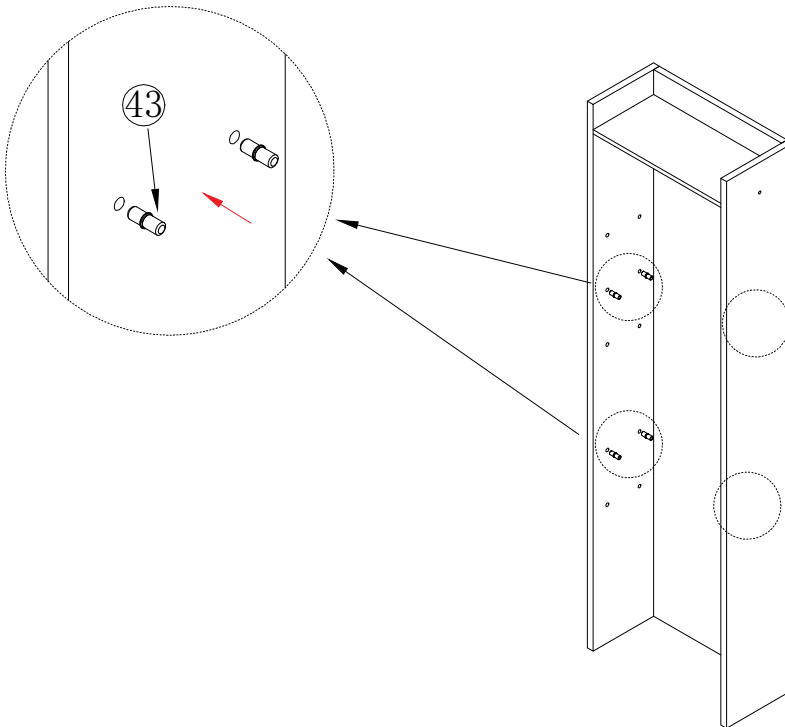


The other side

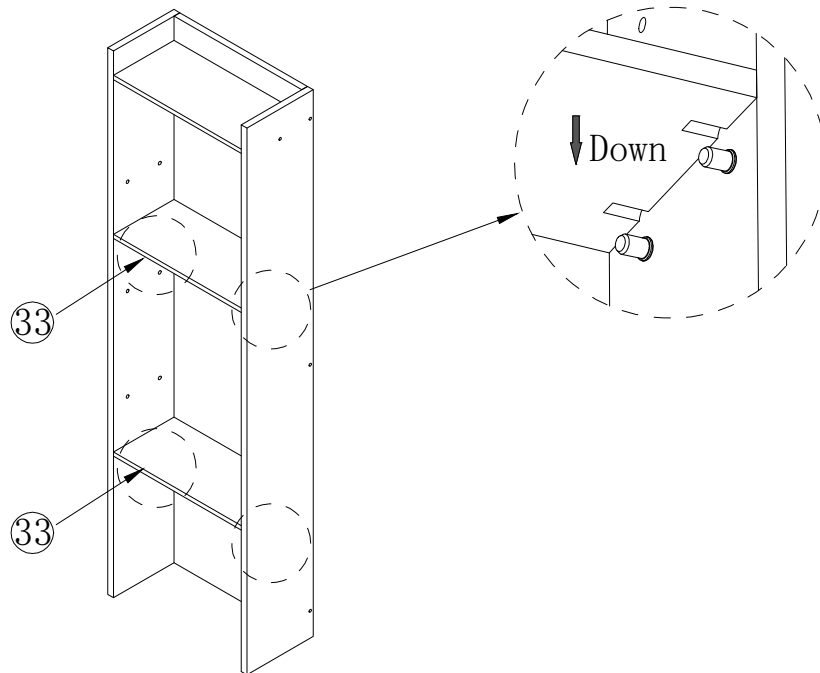


And then secure all screws when all parts are aligned.

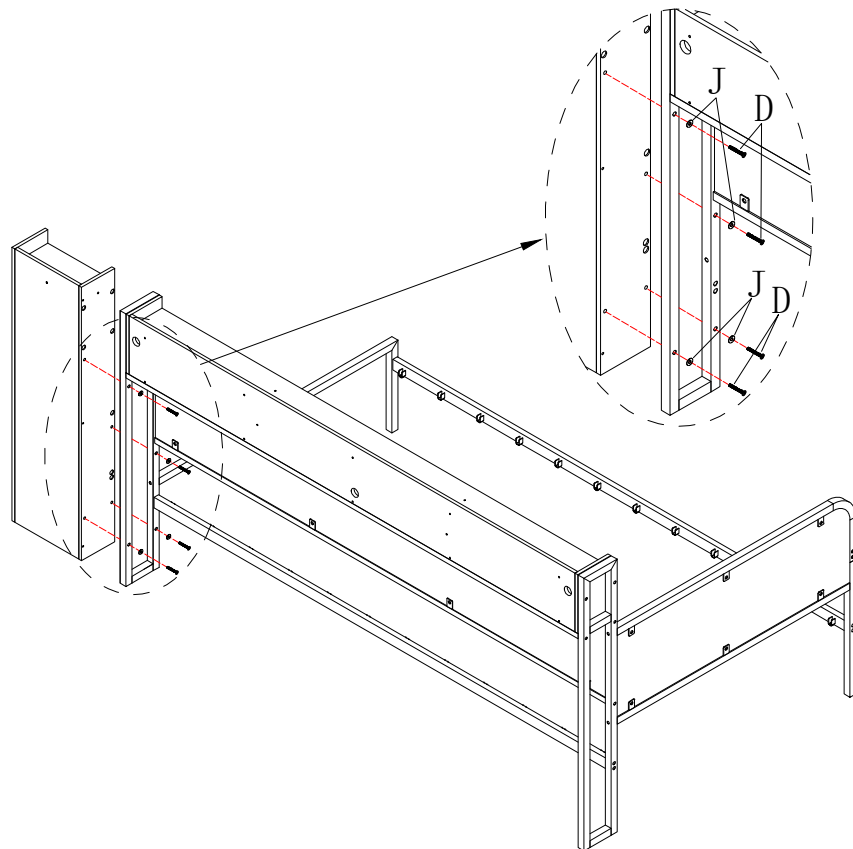
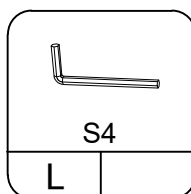
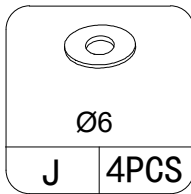
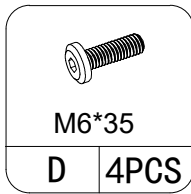
Step16



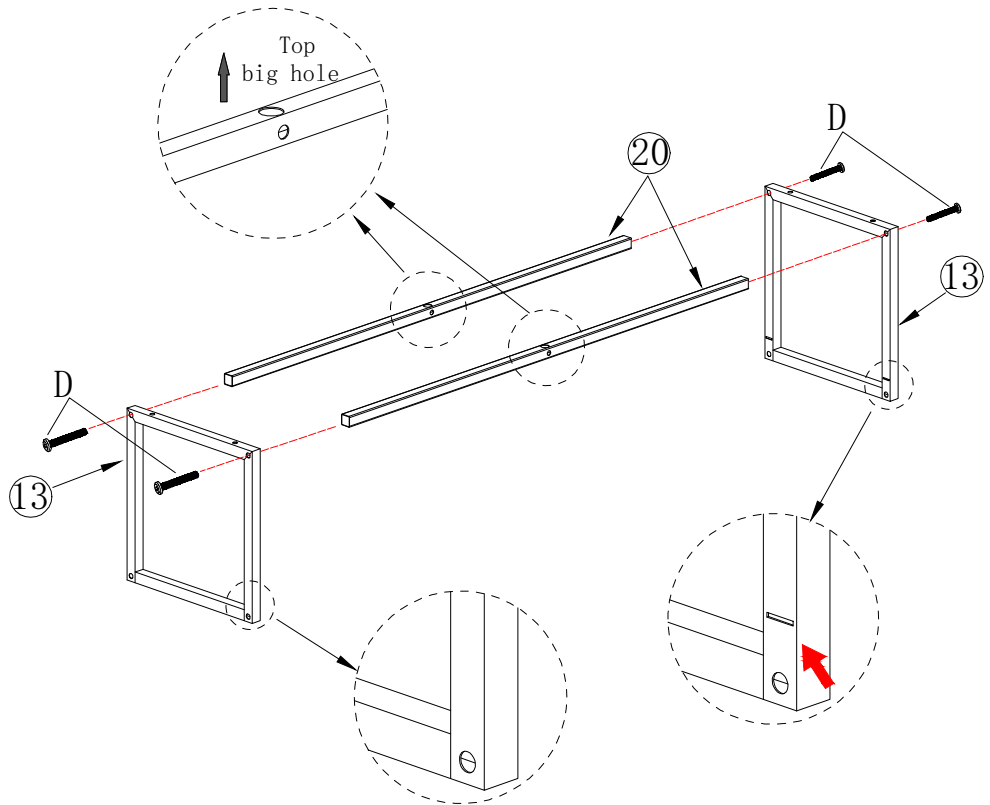
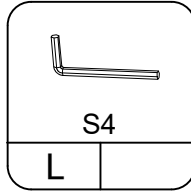
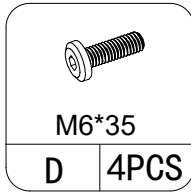
Step17



Step18

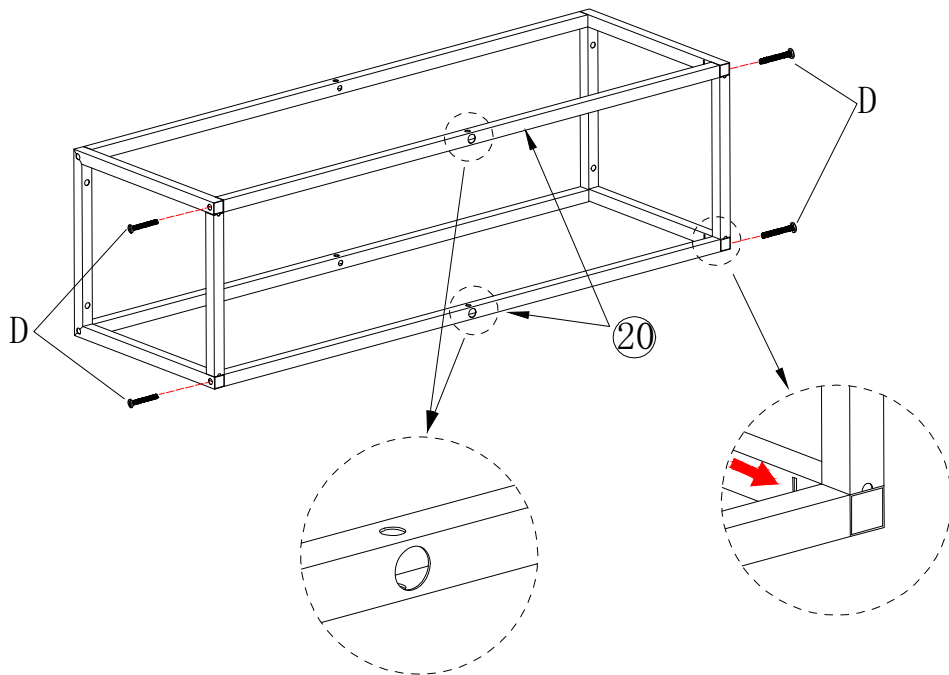
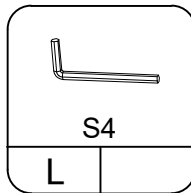
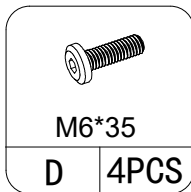


Step19



Please do not tighten the screws yet

Step20



Step21



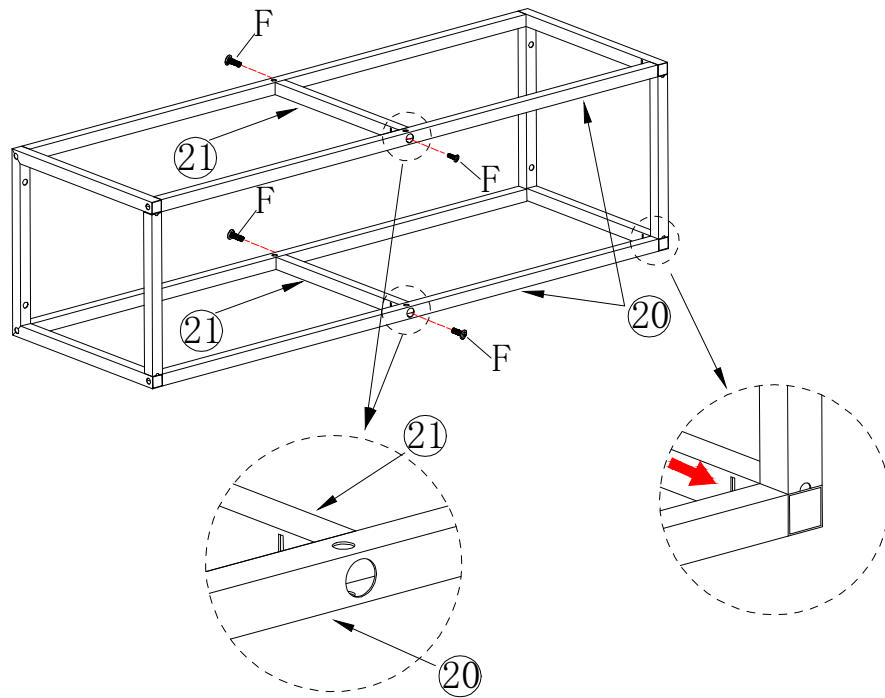
M6*18

F 4PCS



S4

L



Step22



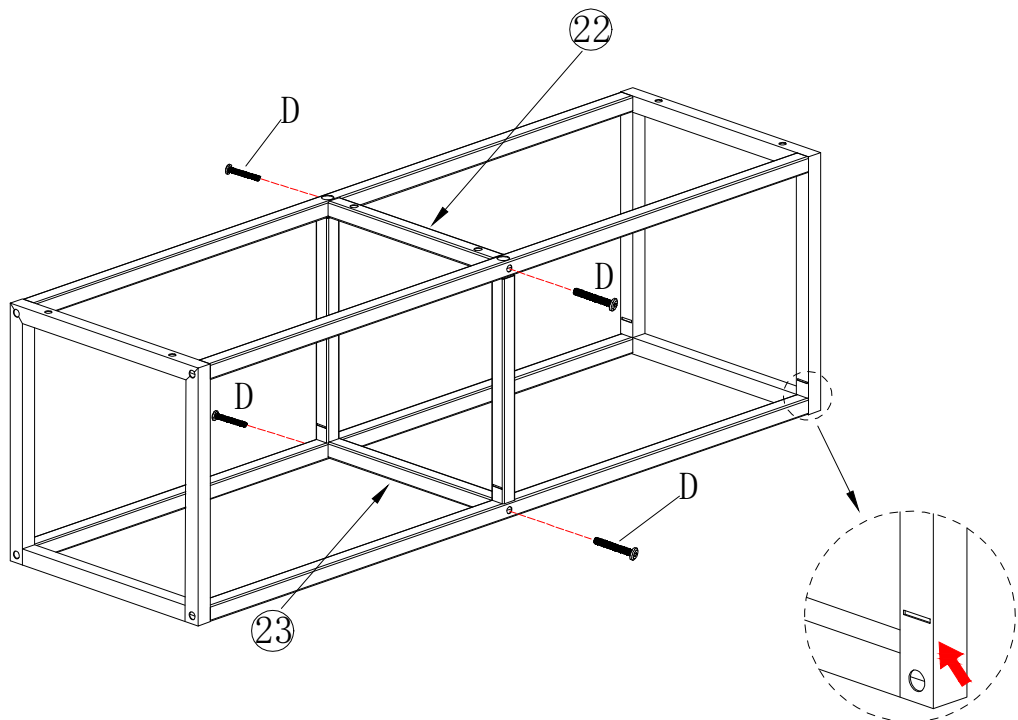
M6*35

D 4PCS



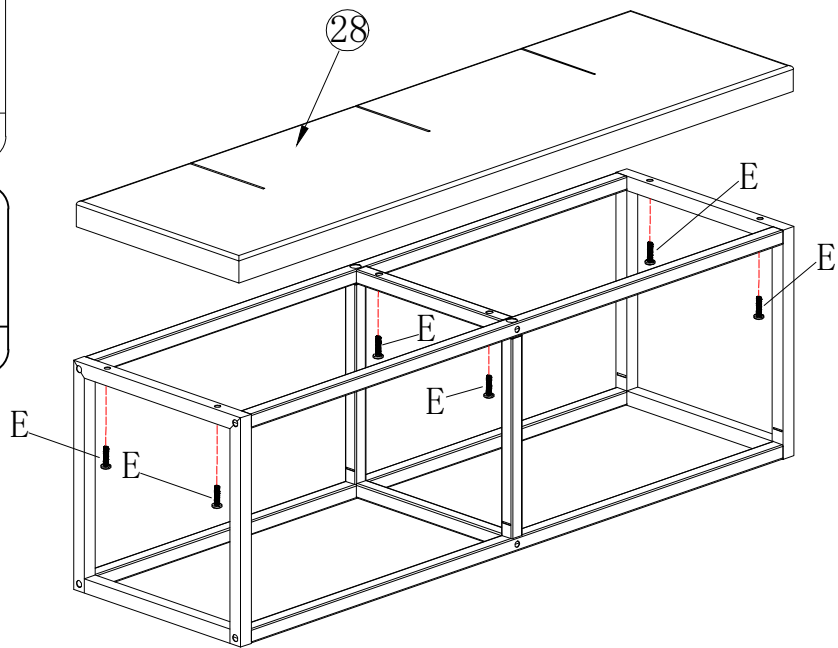
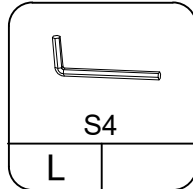
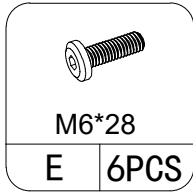
S4

L

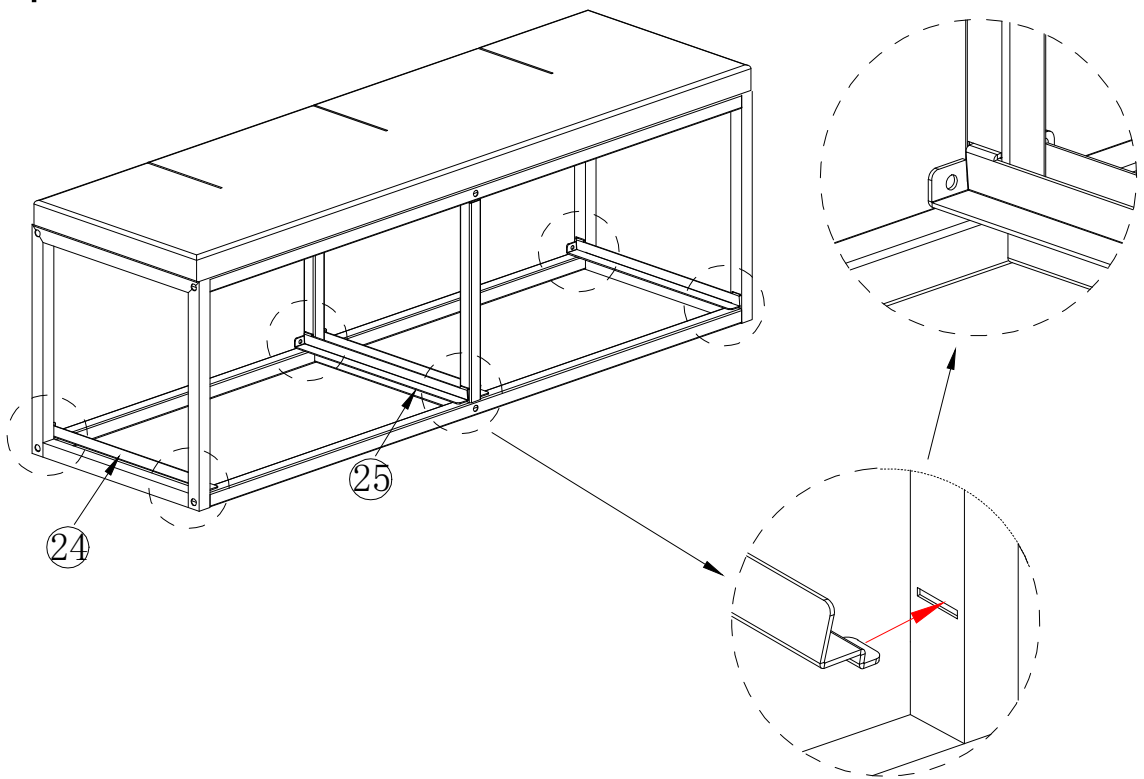


And then secure all screws when all parts are aligned.

Step23

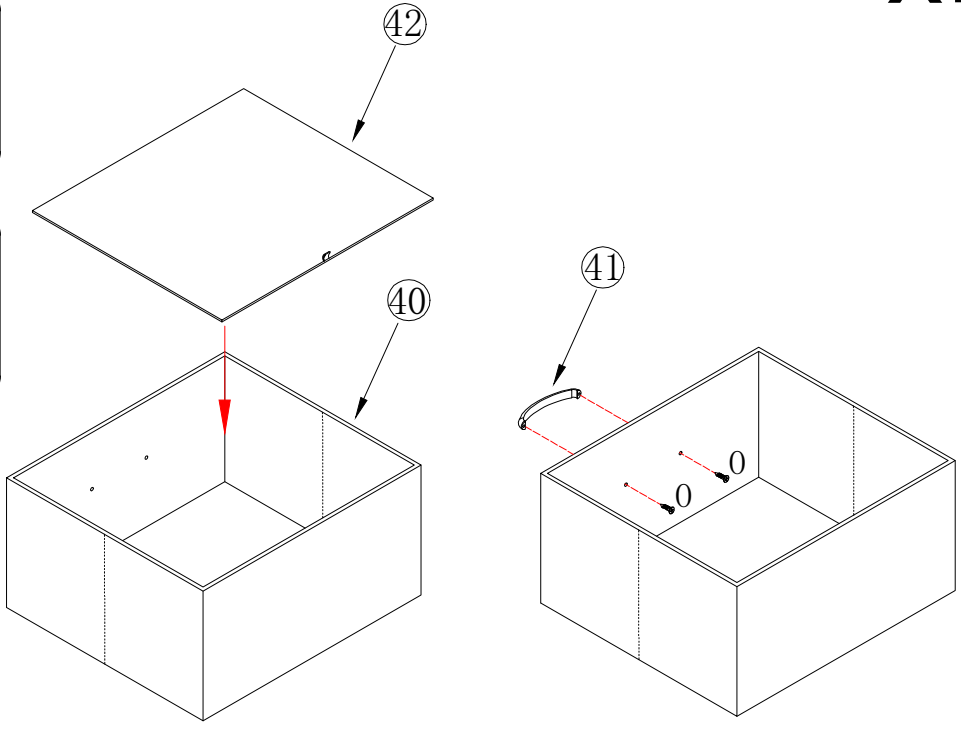
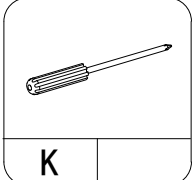
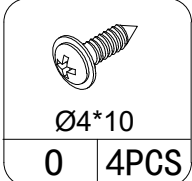


Step24

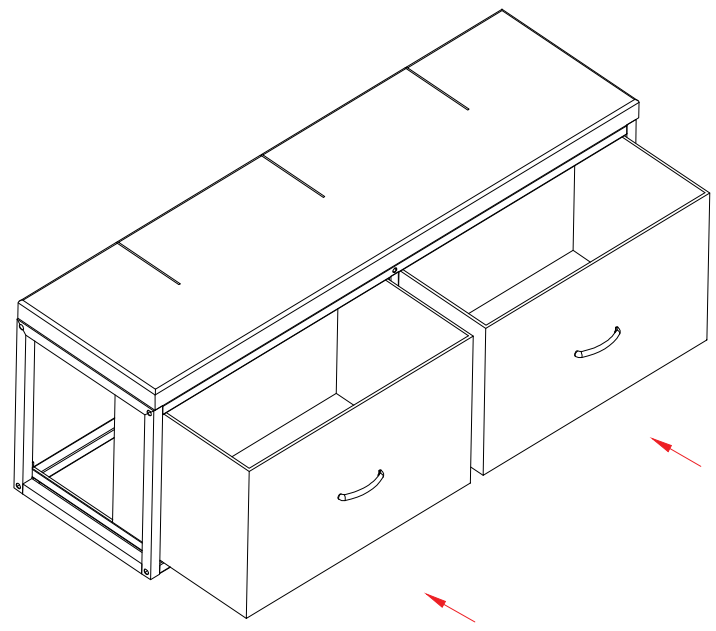


Step25

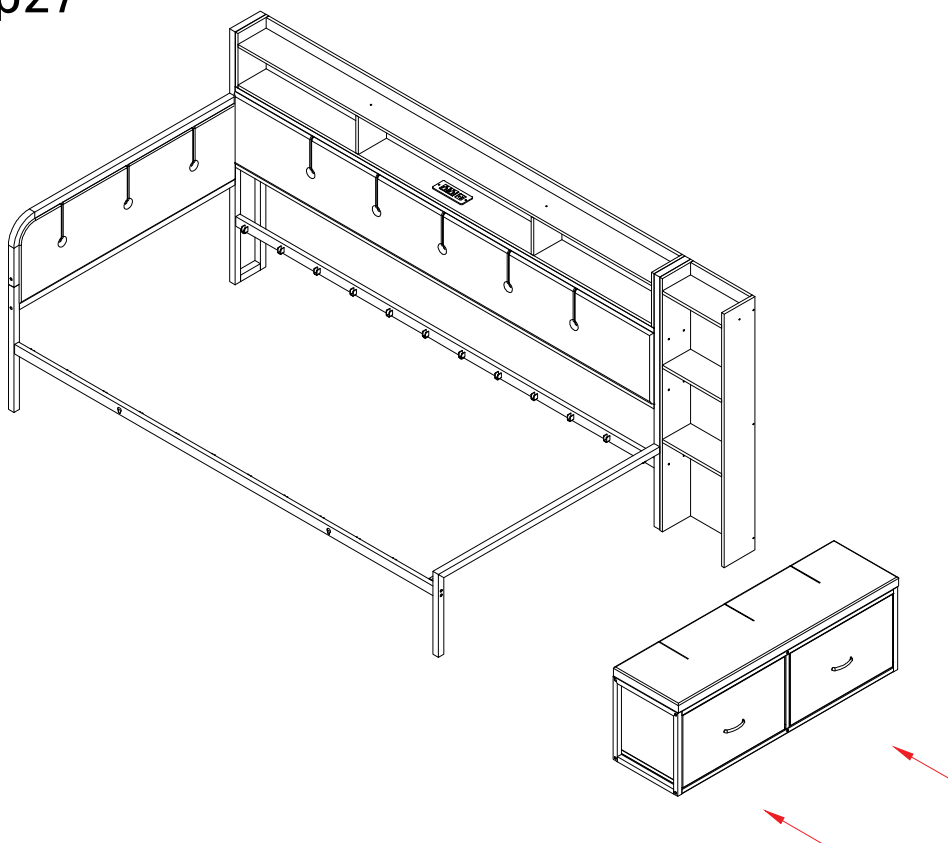
x2



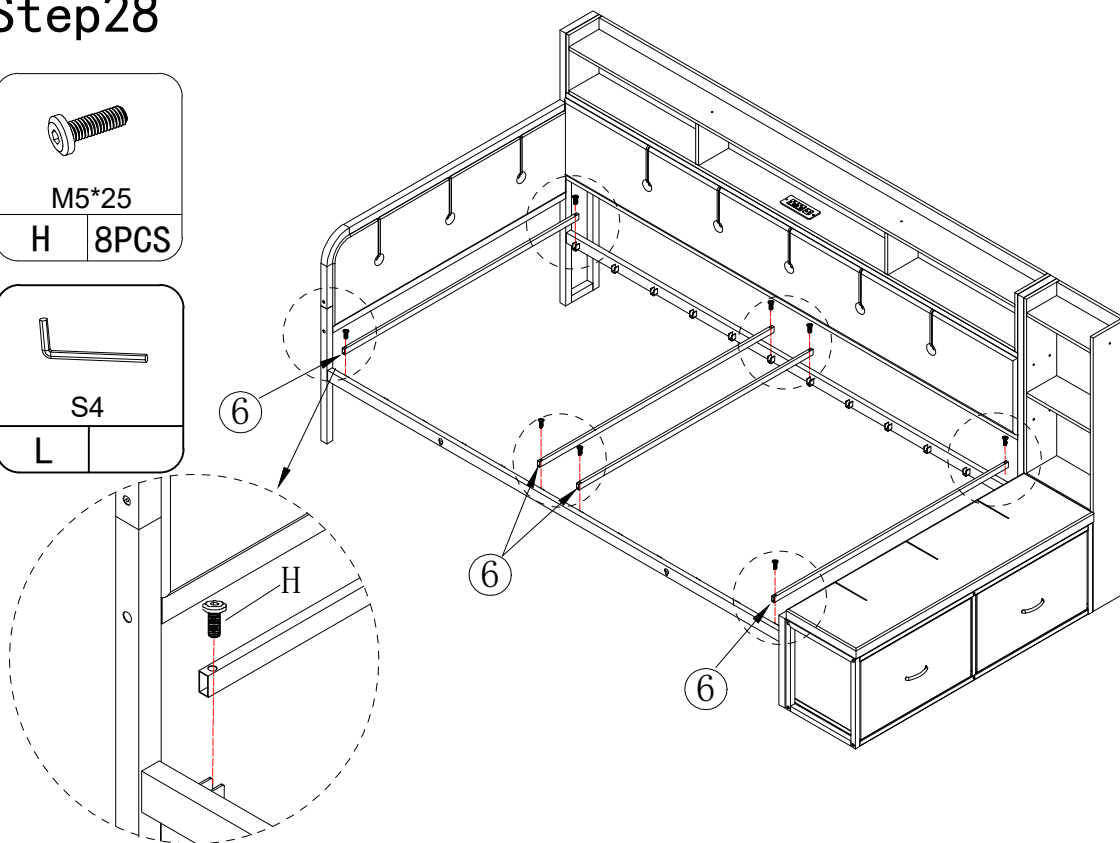
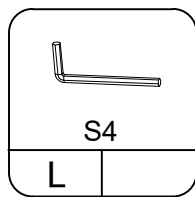
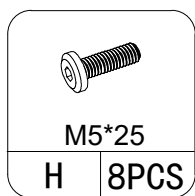
Step26



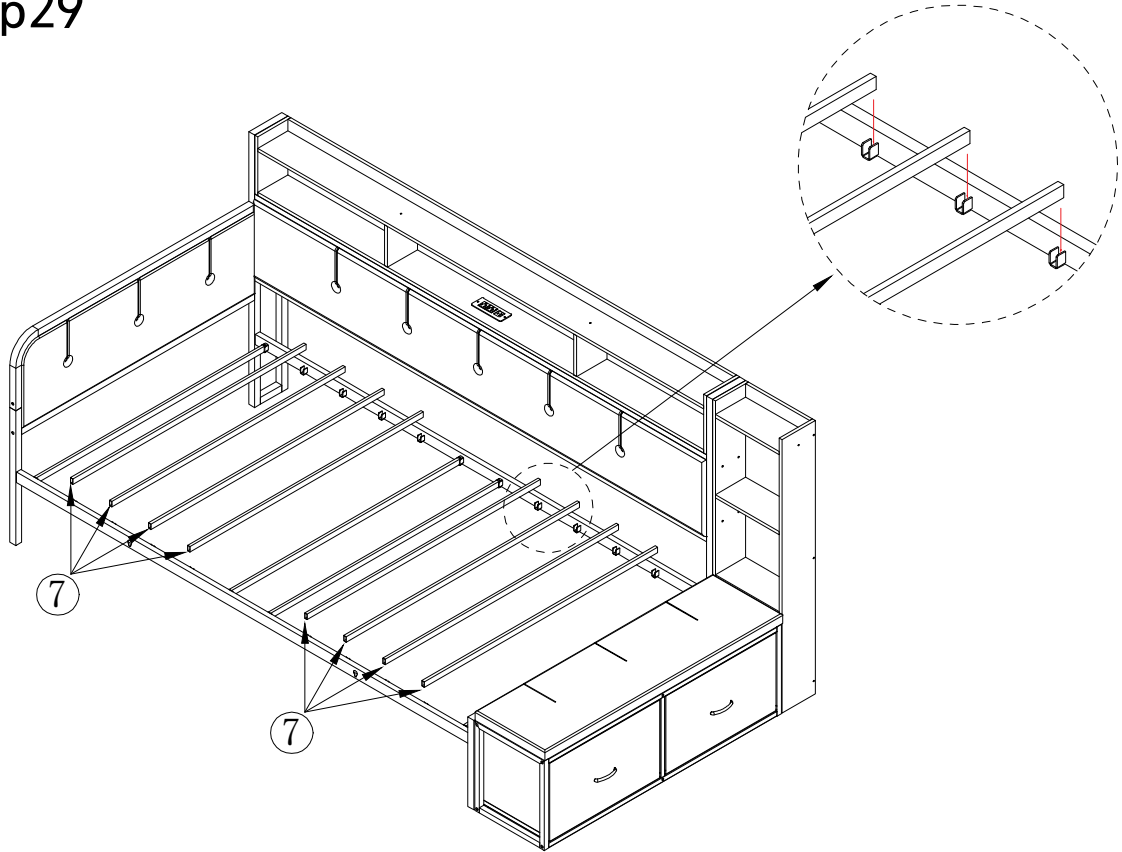
Step27



Step28

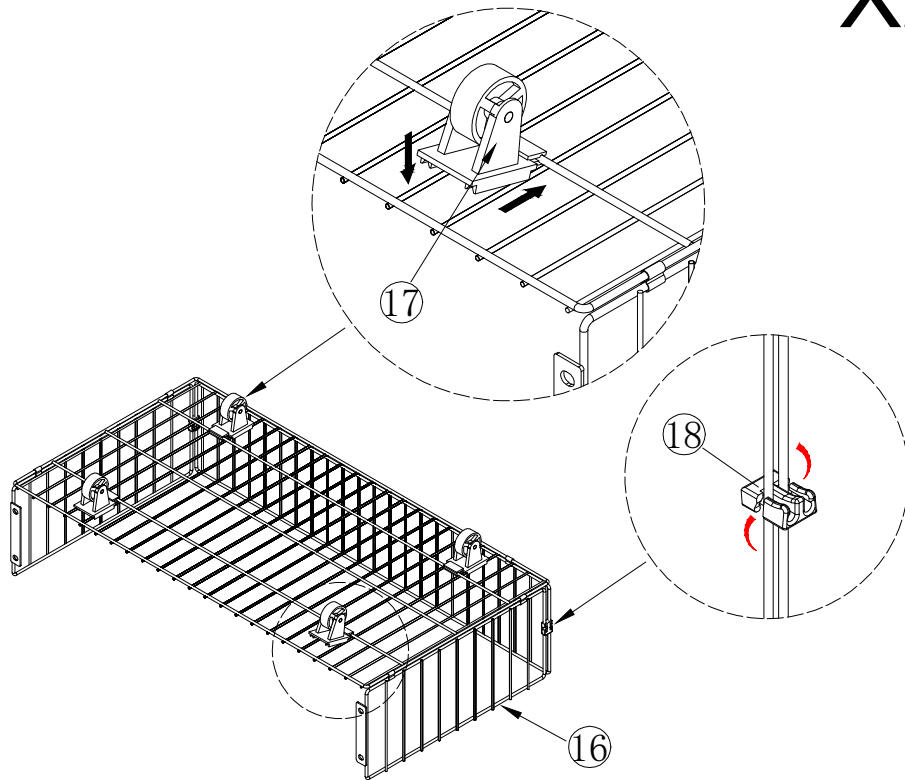
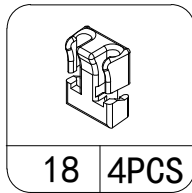
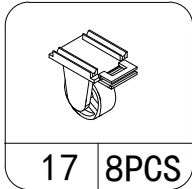


Step29



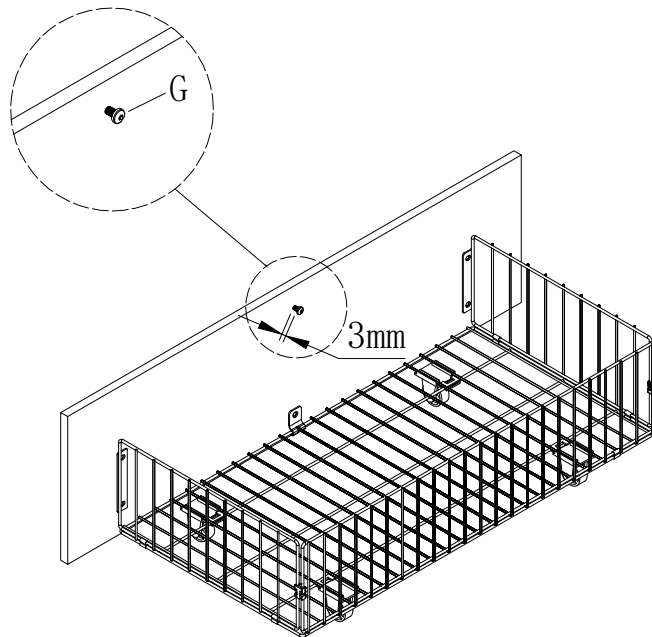
Step30

X2

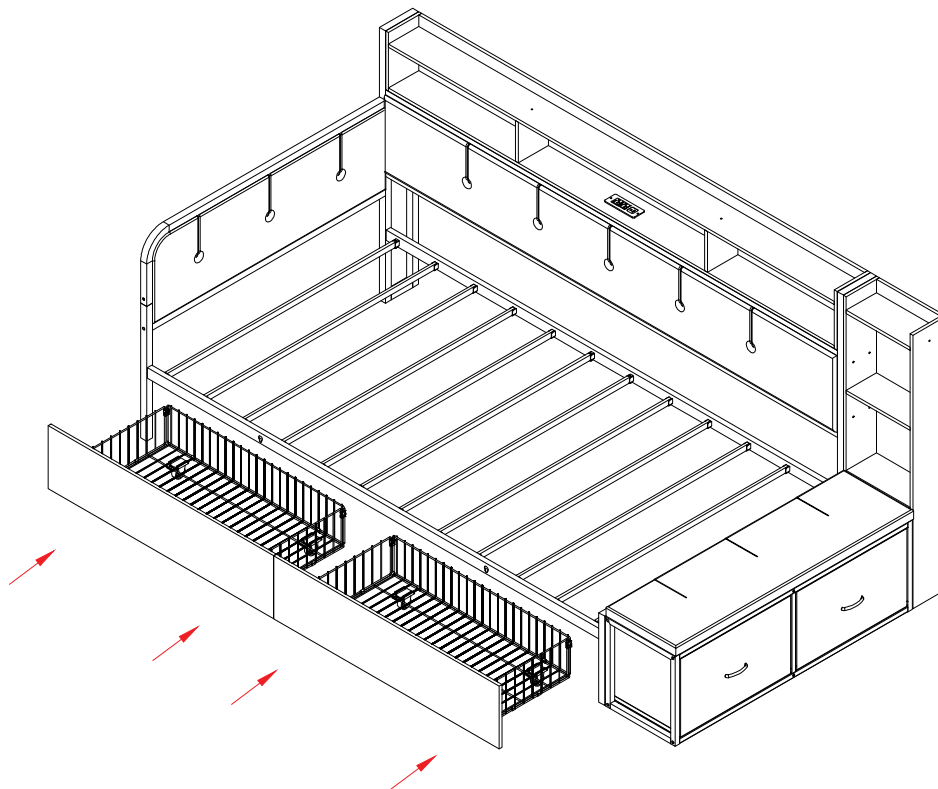


Step33

X2



Step34

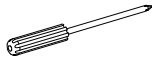


Step35

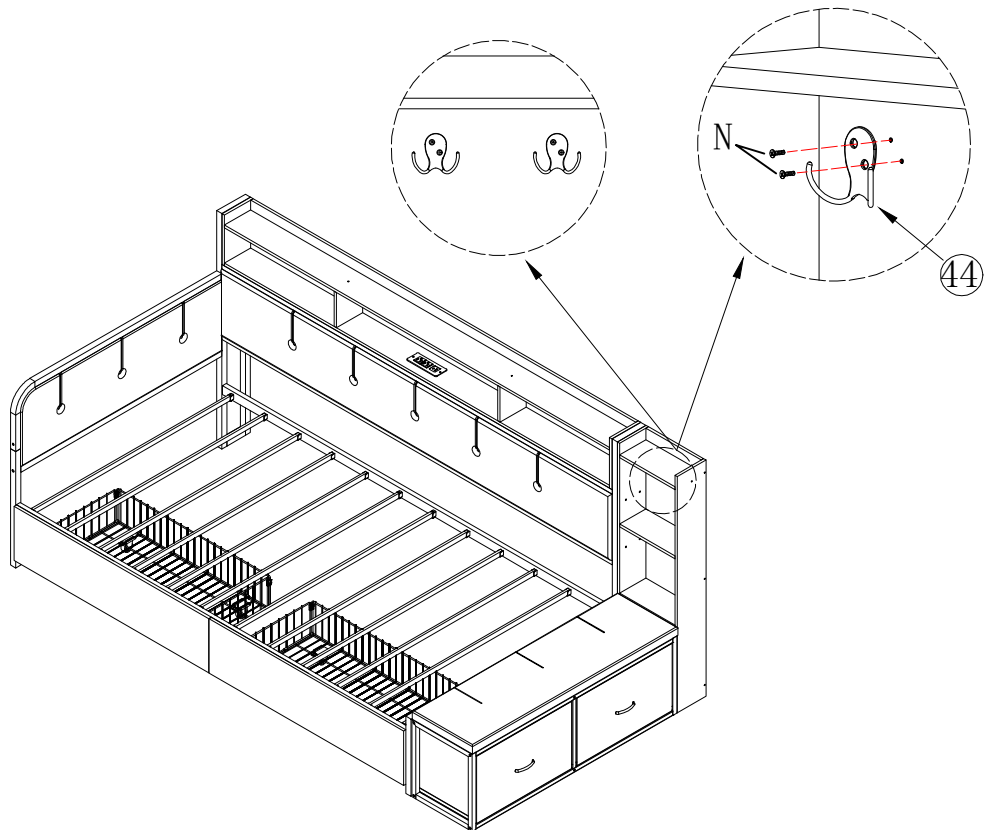


Ø2*13

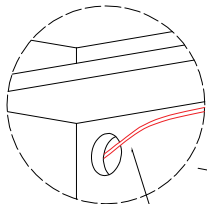
N 4PCS



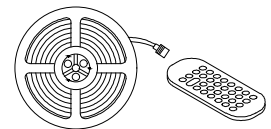
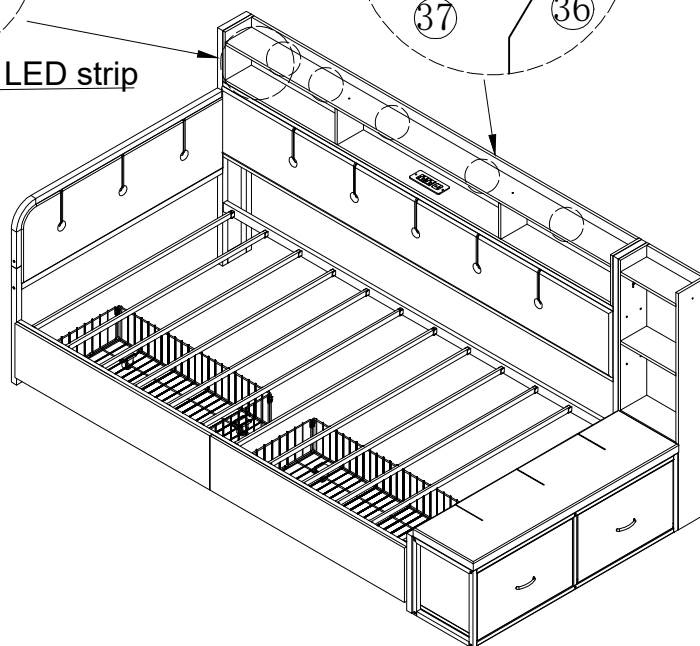
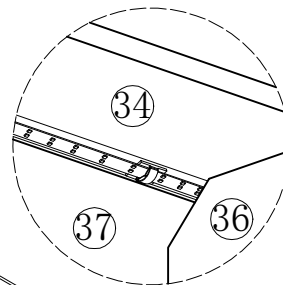
K



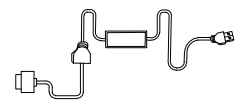
Step36



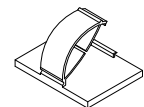
LED strip



light bar



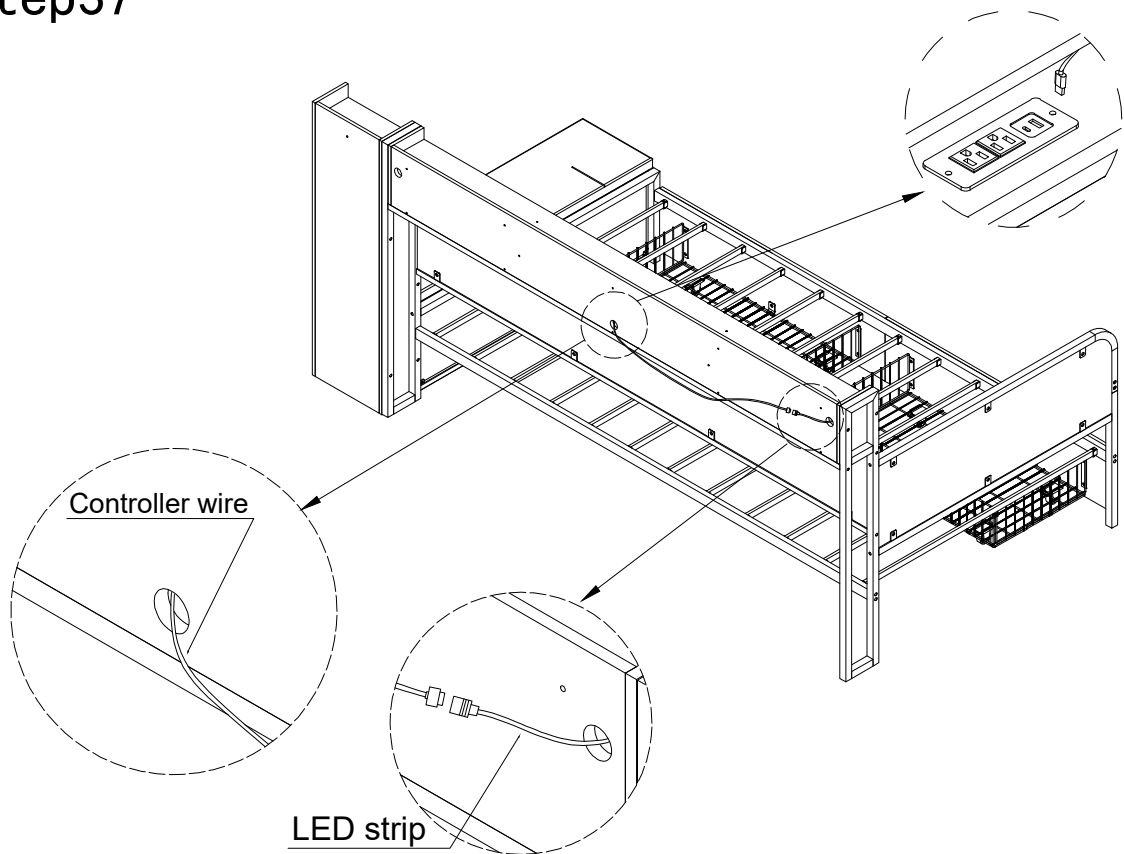
Controller wire



x4

LED strip with clips

Step37



Step38

