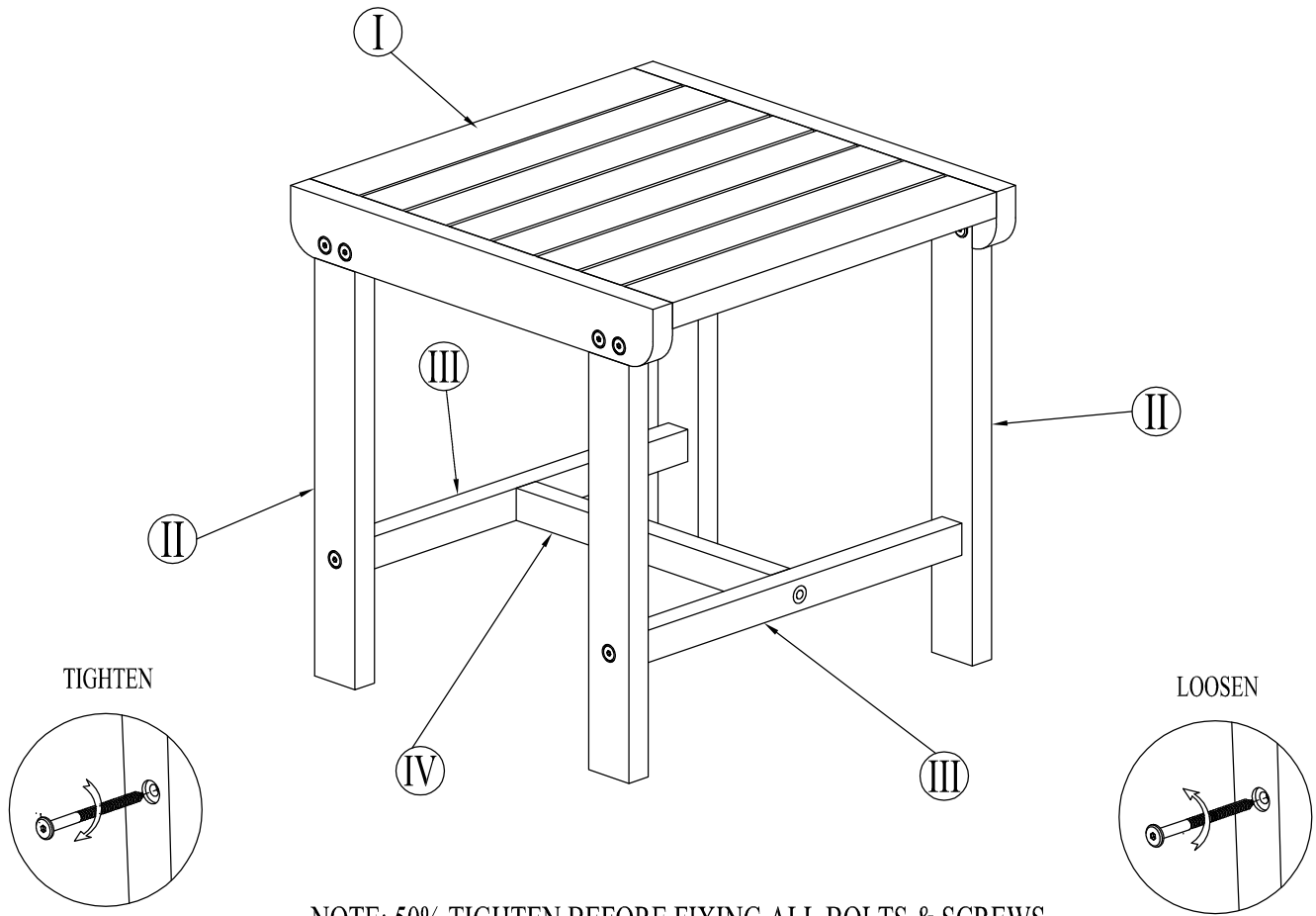


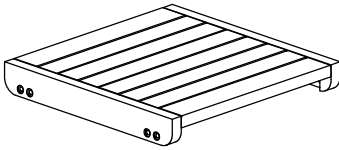

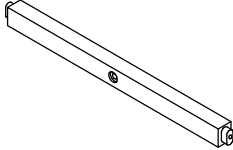
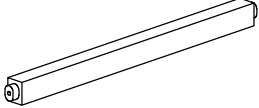
Maximum capacity : 40 kgs/88 Lbs









NOTE: 50% TIGHTEN BEFORE FIXING ALL BOLTS & SCREWS

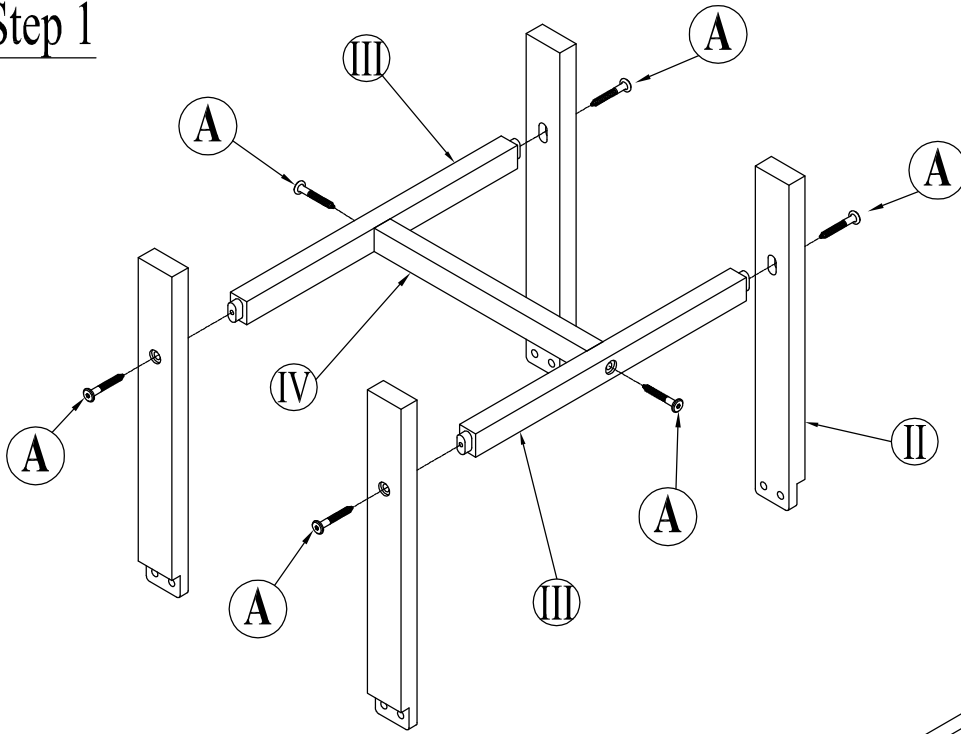
COMPONENTS LIST

| | | | |
|---|--|---|--|
|  <p>Q'TY 1</p> |  <p>Q'TY 4</p> |  <p>Q'TY 2</p> |  <p>Q'TY 1</p> |
|---|--|---|--|

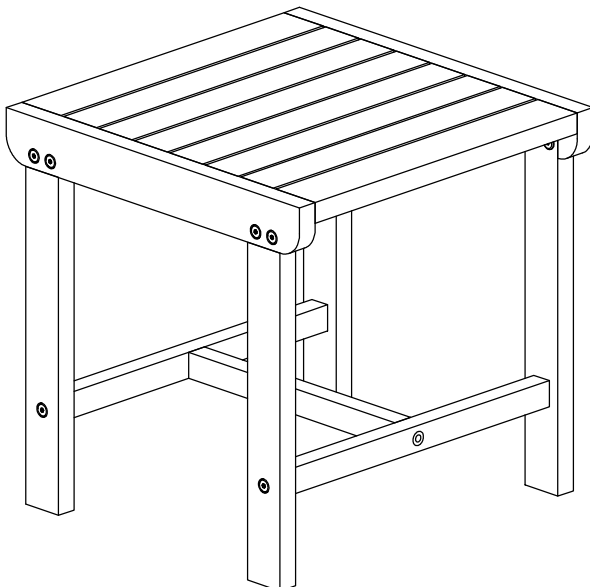
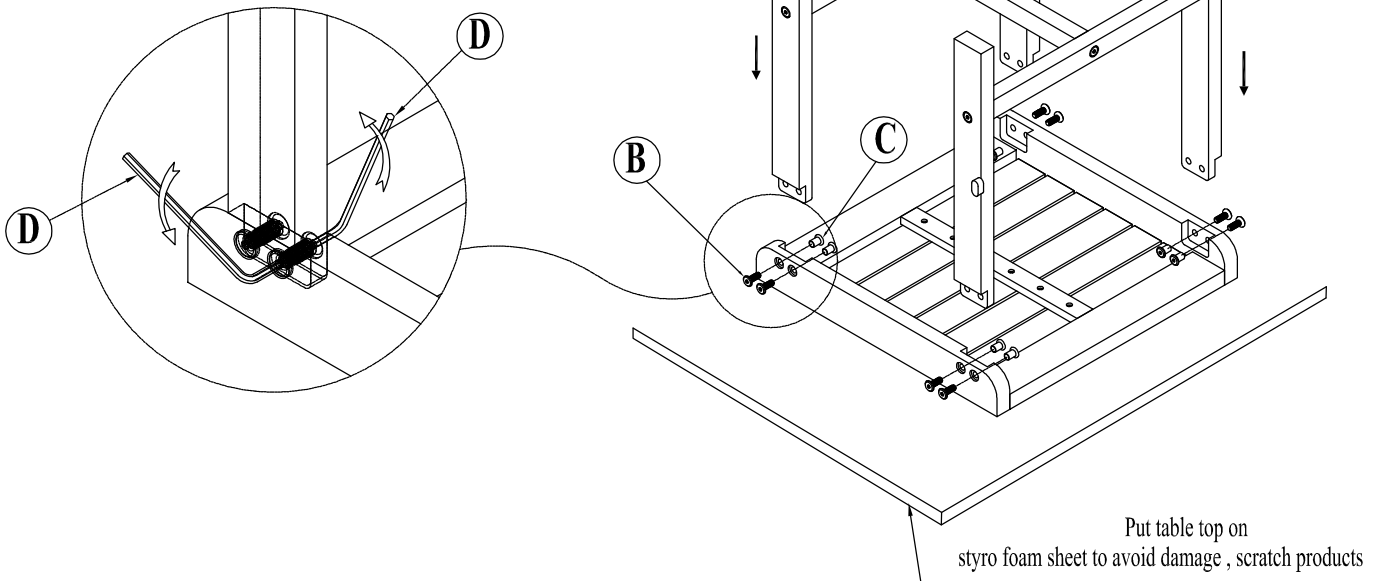
HARDWARE LIST

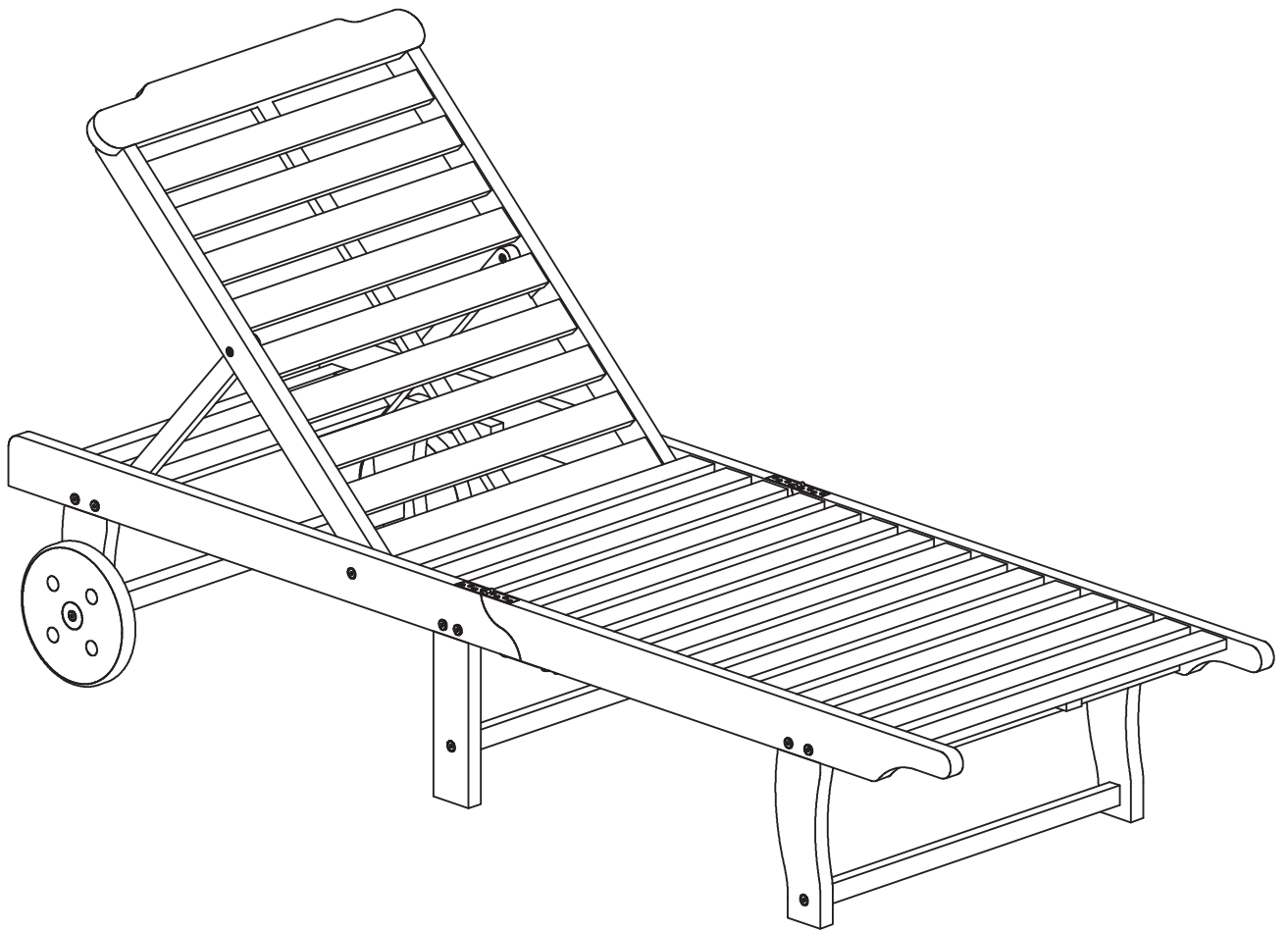
| | | | | | | | |
|---|---|---|----------------|---|--|---|------------|
| A |  | 6 | F - Screw 7x50 | C |  | 8 | Sleeve nut |
| B |  | 8 | Bolt 6x15 | D |  | 2 | Allen Key |

Step 1



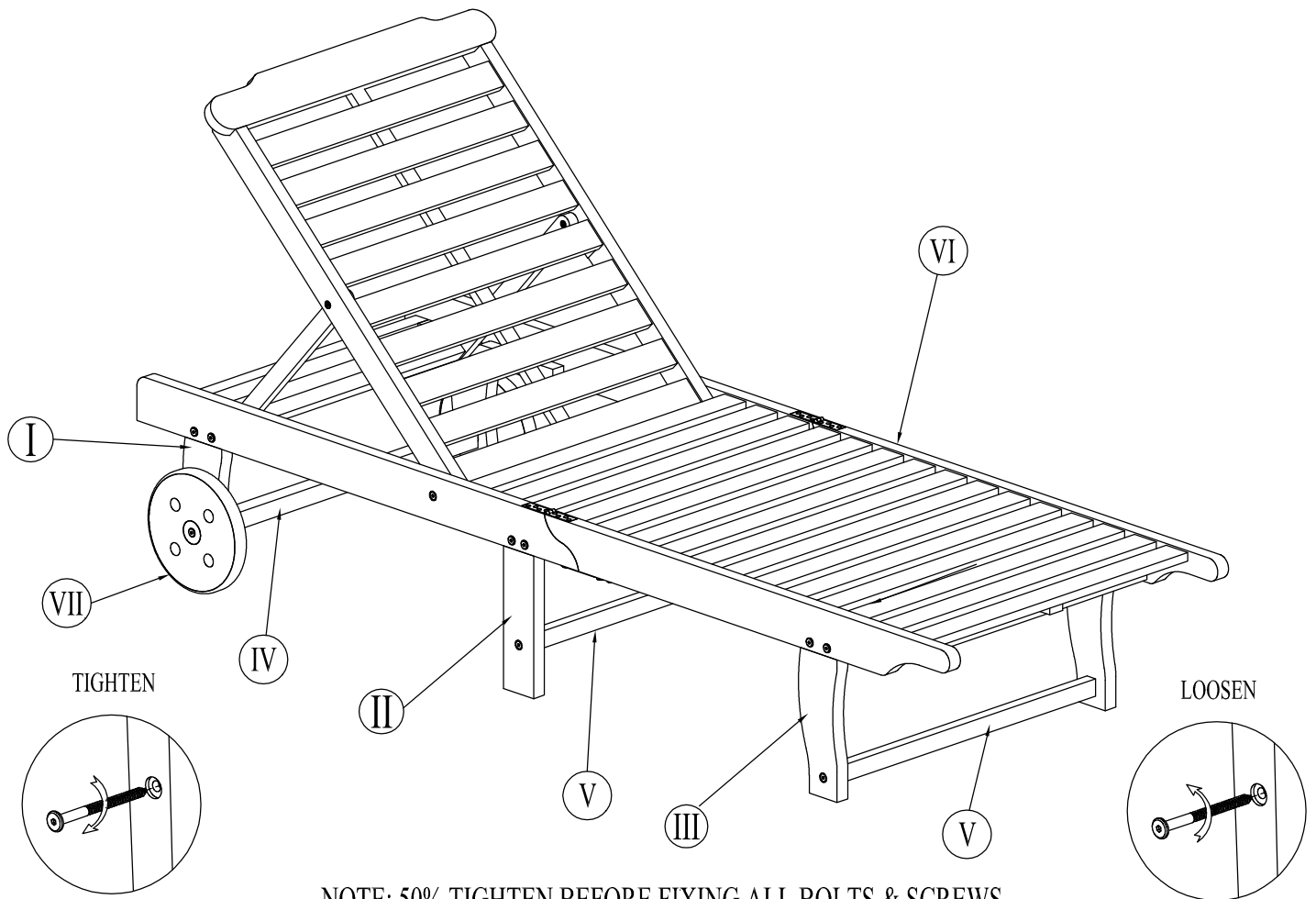
Step 2





Maximum capacity : 110 kgs/242 Lbs





NOTE: 50% TIGHTEN BEFORE FIXING ALL BOLTS & SCREWS

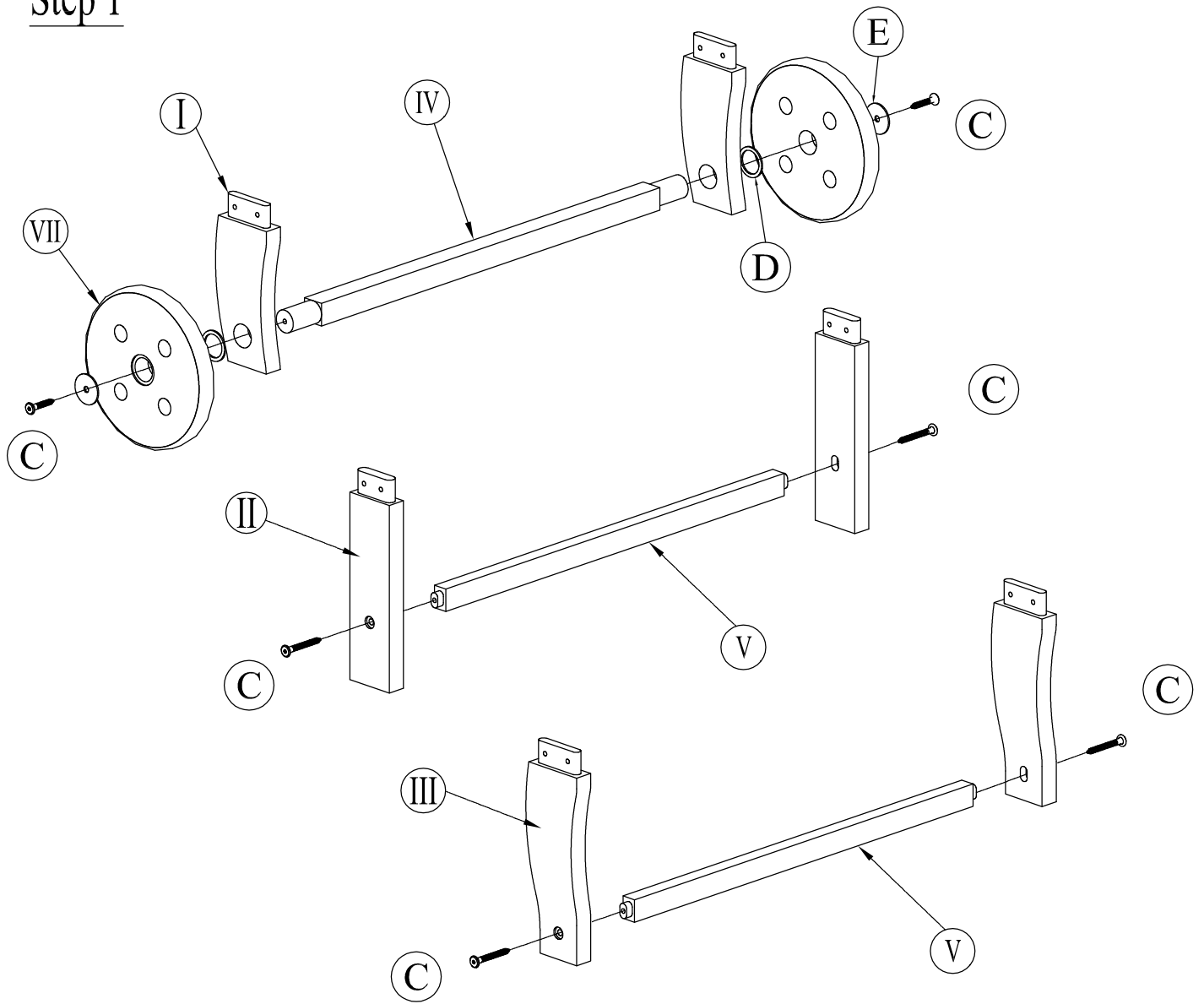
COMPONENTS LIST

| | | | | |
|--------------|--------------|---------------------------------|--------------|--------------|
| <p>QTY 2</p> | <p>QTY 2</p> | <p>QTY 2 (Right & Left)</p> | <p>QTY 1</p> | <p>QTY 1</p> |
| | | | <p>QTY 2</p> | <p>QTY 2</p> |

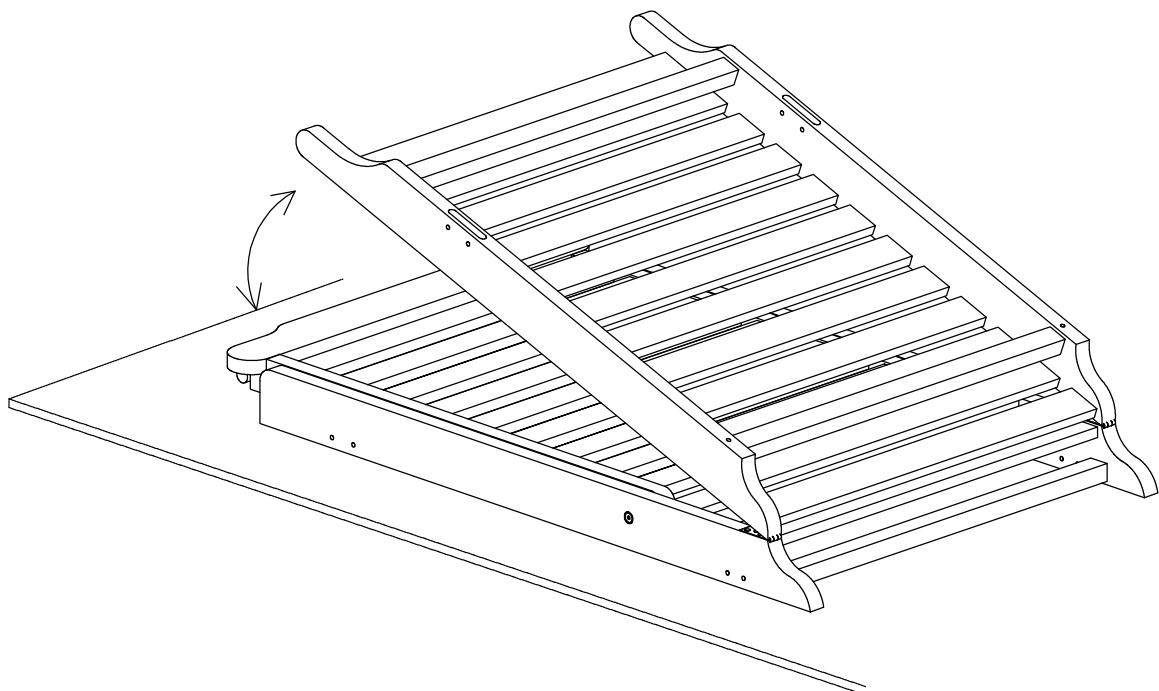
HARDWARE LIST

| | | | | | | | |
|---|--|----|------------|---|--|---|--------------|
| A | | 12 | Screw 7x20 | E | | 2 | Washer |
| B | | 4 | Screw 7x30 | F | | 2 | Metal Locker |
| C | | 6 | Screw 7x60 | G | | 2 | Allen Key |
| D | | 2 | Washer | | | | |

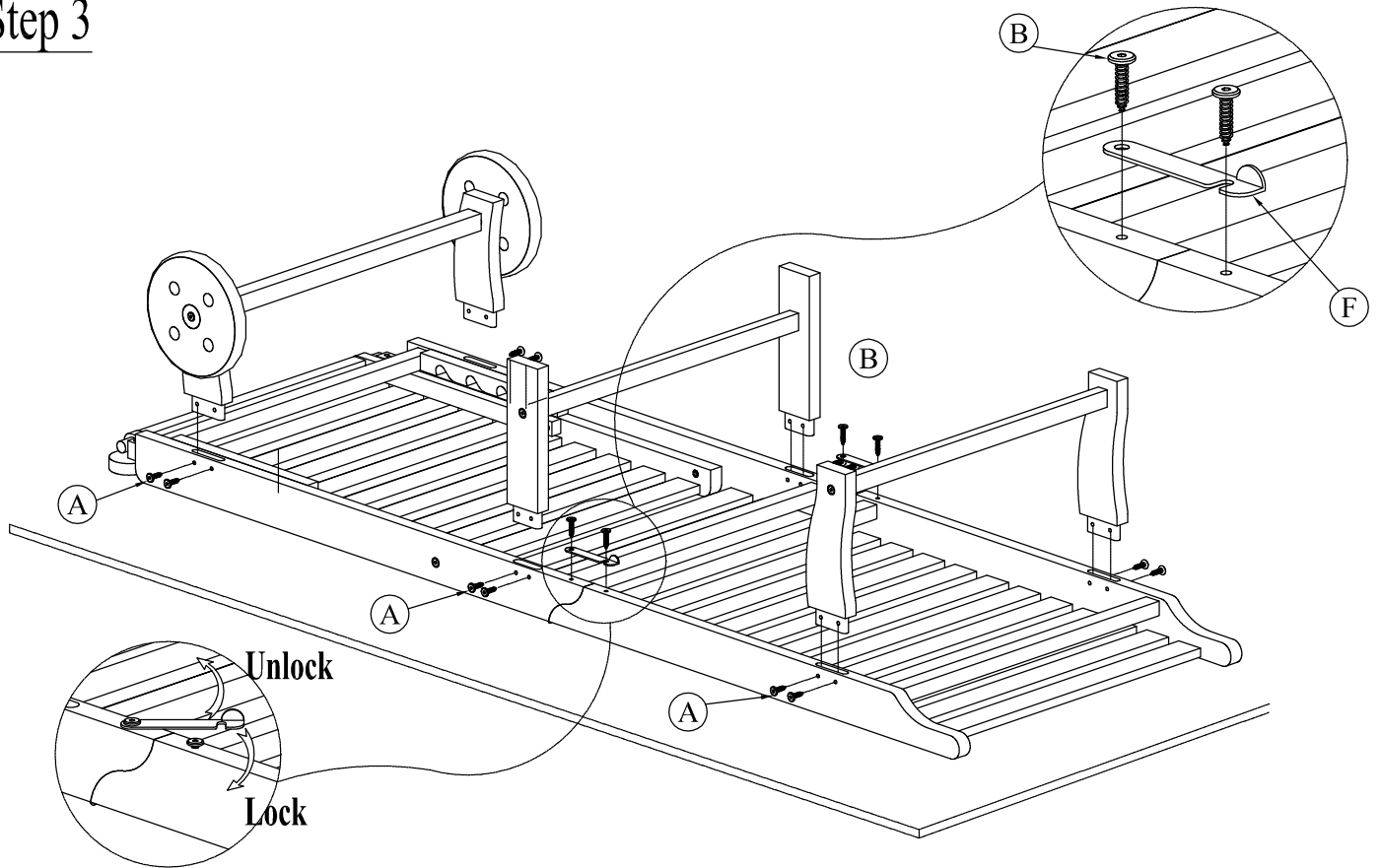
Step 1



Step 2

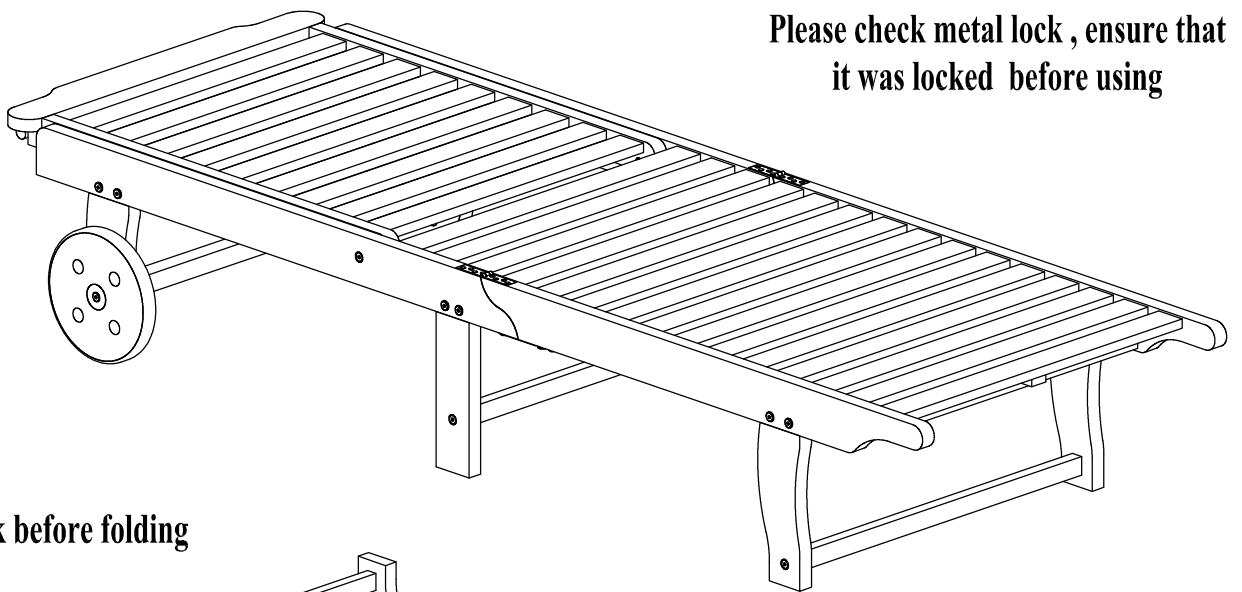


Step 3



Step 4

Please check metal lock , ensure that it was locked before using



Please unlock before folding

