

Installation instructions

2316000

You may need



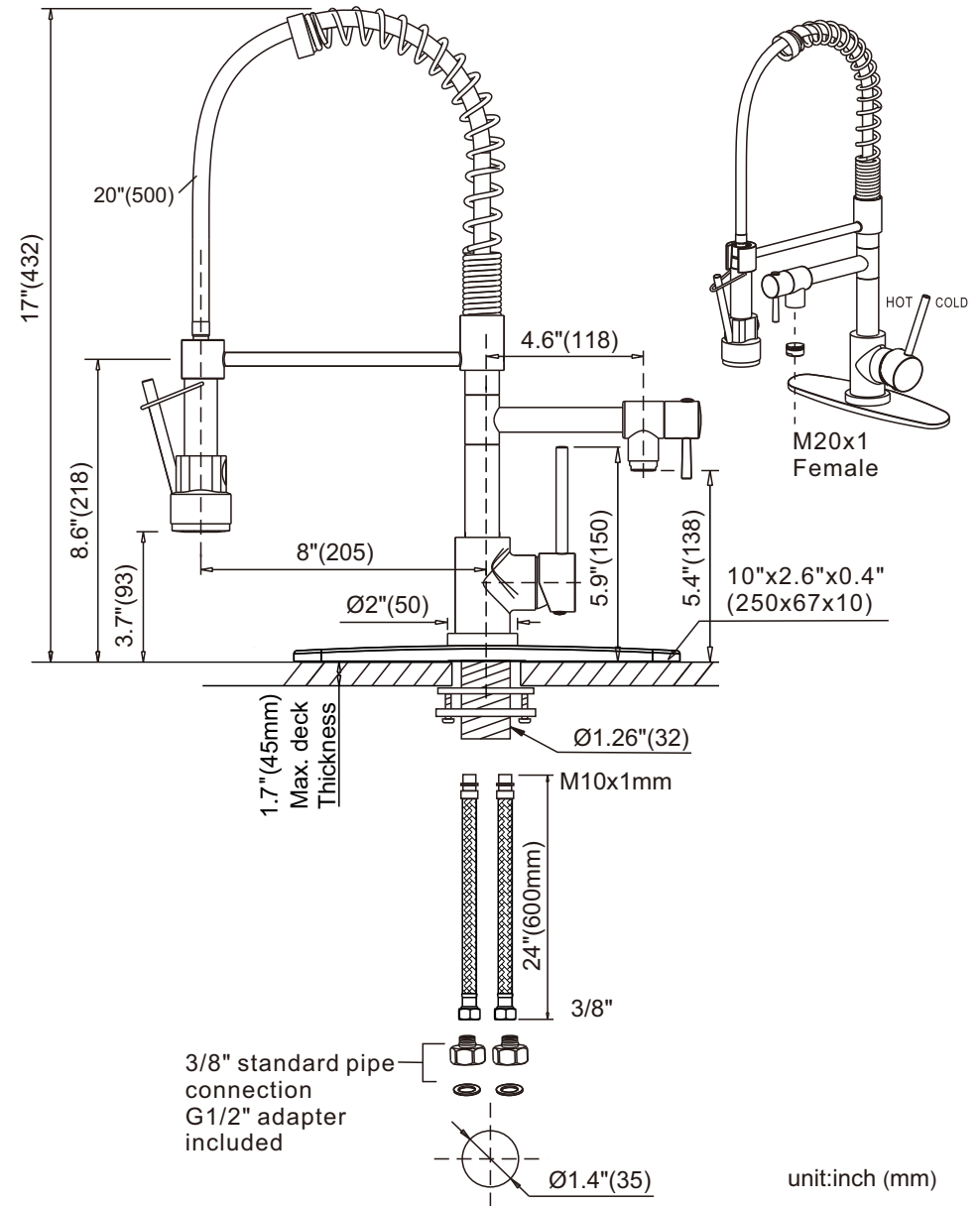
For easy installation of your faucet you will need:

To READ ALL the instructions completely before beginning.

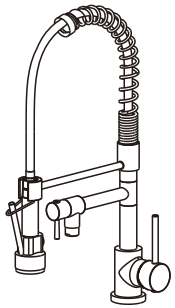
To READ ALL warnings, care, and maintenance information.

Cleaning and Care

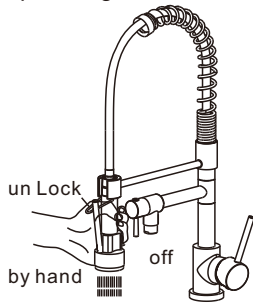
Care should be given to the cleaning of this product. Although its finish is extremely durable, it can be damaged by harsh abrasives or polish. To clean, simply wipe gently with a damp cloth and blot dry with a soft towel.



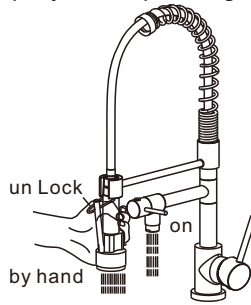
Turn off the faucet



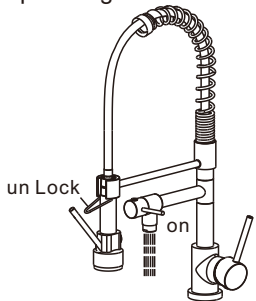
Turn on the faucet Sparkling



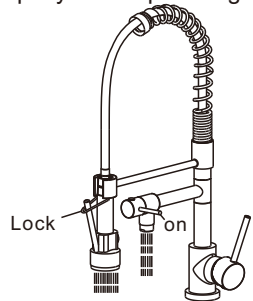
Turn on the faucet Spray and sparkling



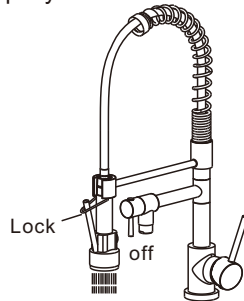
Turn on the faucet Sparkling



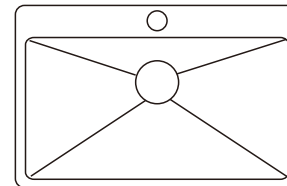
Turn on the faucet Spray and sparkling



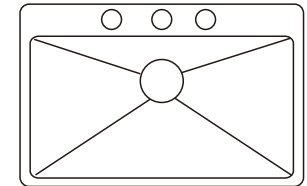
Turn on the faucet Spray



single-hole

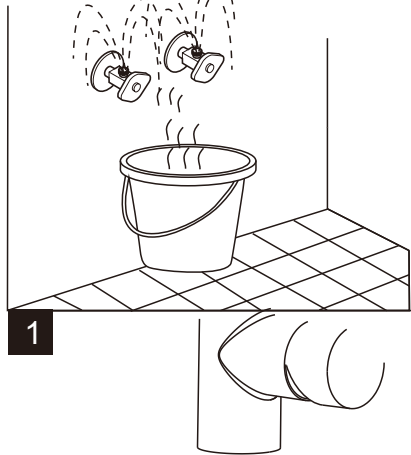


3-hole



unit: inch (mm)

Before installing the valves, clean the water pipe thoroughly to avoid dirt and deposits.

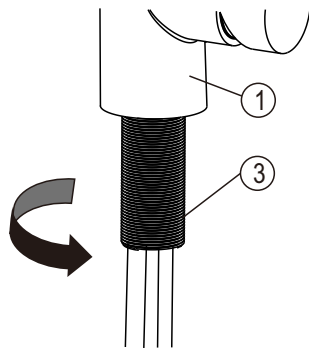


1



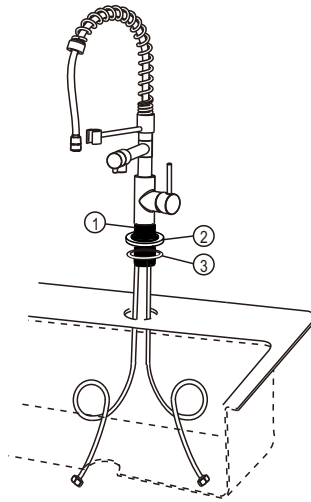
Attach flexible hoses under the faucet body.

2



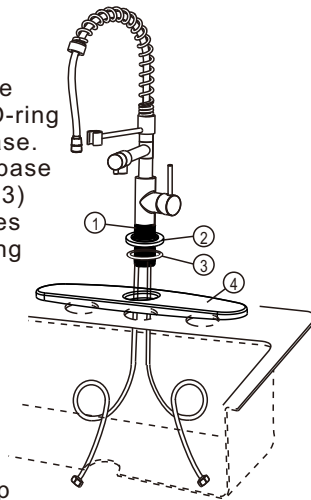
1. Make sure fasten the thread pipe(3) to the base of the faucet body clock-wise.

3.A



1. Make sure attach the O-ring(2) to the base.
2. Slide the base with O-ring(3) up over tubes and mounting stud.
Option: If sink is uneven, use silicone under the gasket.

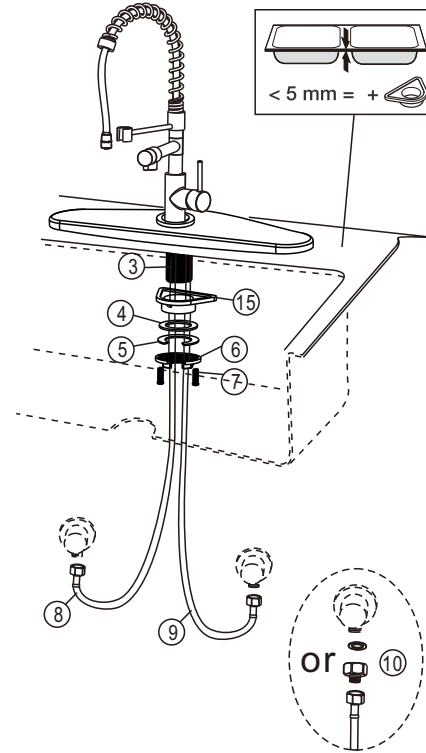
3.B



1. Make sure attach the O-ring (2) to the base.
2. Slide the base with O-ring(3) up over tubes and mounting stud.

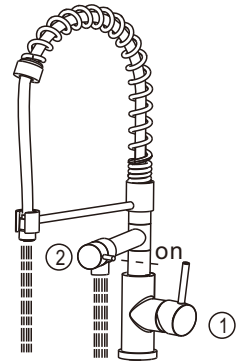
3. Slide 9.6" decorated plate with gasket(3) up over tubes and mounting stud. Slide tubes down through mounting hole and faucet, 9.6" decorated plate with gasket on sink.
Option: If sink is uneven, use silicone under the gasket.

4



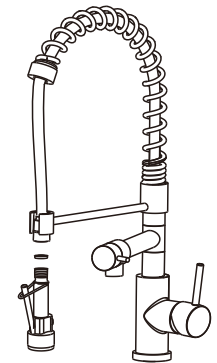
1. Use the triangle fastener(15) when the thickness of sink <5mm.
2. Place Triangle fastener (15) and washer(4) and metal plate(5) over mounting stud(3) under sink. Secure with mounting nut(6), tighten the screws(7) to fix the faucet body.
3. Attach supply hot(8)and cool lines(9) .
4. If the anglve is G1/2", please use G3/8" standard pipe connection G1/2" adapter included (10) . Do not overtighten. Turn water back on.

5



1. turn faucet handles (1) to the full on mixed position.
2. Turn on the button (2)
3. Turn on hot and cold water supplies and flush water lines for one minute. Important: This flushes away any debris that could cause damage to internal parts. Verify theseal is attached to aerator then reinstall. Check all connections for leaks. Re-tighten if necessary, but do not overtighten.

6



1. Mount spray support assembly(4) and washer(5)
2. turn faucet handles (1) to the full on mixed position. Check all connections for leaks. overtighten.