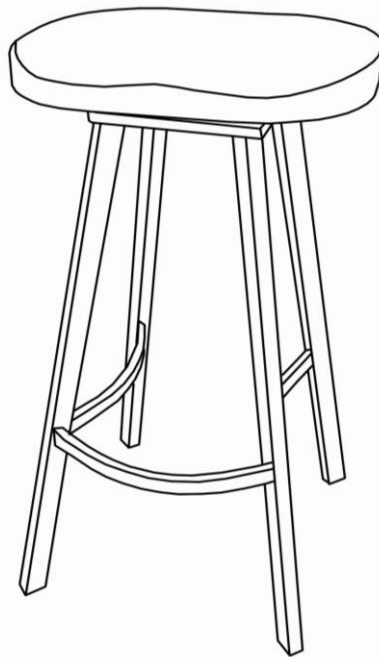


# Assembly Instructions

**Caution : You must read this before you proceed**



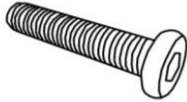

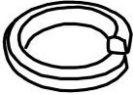
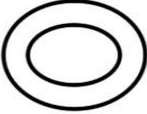

## Barstool







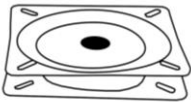

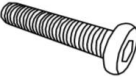

### Parts List

Label	Picture	Description	QTY
A	A line drawing of a round, flat seat, which is the top part of the barstool.	Seat	1
B	A line drawing of a square swivel plate with a central circular hole and four small rectangular tabs at the corners.	Swivel plate	1
C	A line drawing of the leg frame of the barstool, showing four legs and a curved crossbar.	Leg frame	1

# Hardware

Label	Picture	Description	QTY
①		Nut(M6)	5
②		Wrench	1
③		Bolt (M6*30mm)	5
④		Bolt (M6*16mm)	5
⑤		Spring Washer	5
⑥		Washer (M6)	5
⑦		Allen Wrench	1

# Assembly Preparation

<p>Before Beginning Assembly:</p>	   *5pcs  *5pcs
	   *5pcs  *5pcs
	  *5pcs



- Read instructions, cover to cover-



- Have 2 adults on hand for assembly-



- Do not assemble on flooring or carpet-



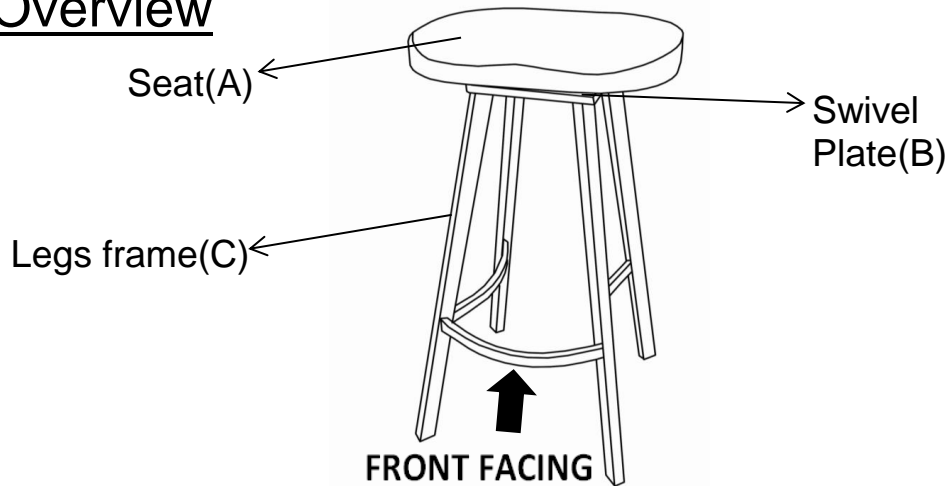
- Assemble on a clean non-marring surface (packing foam)-



- Save all packaging until finished-

## Assembly Steps

### Overview

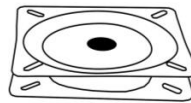


This Barstool has multiple parts and may require up to some 30 minutes to assemble. To give you an overview of the Barstool parts, the above picture is to help you put the various parts into perspective. Please read through the instructions herebelow to familiarise the parts and steps before assembly.

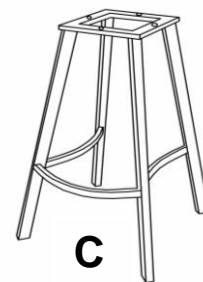
### Step 1



**A**



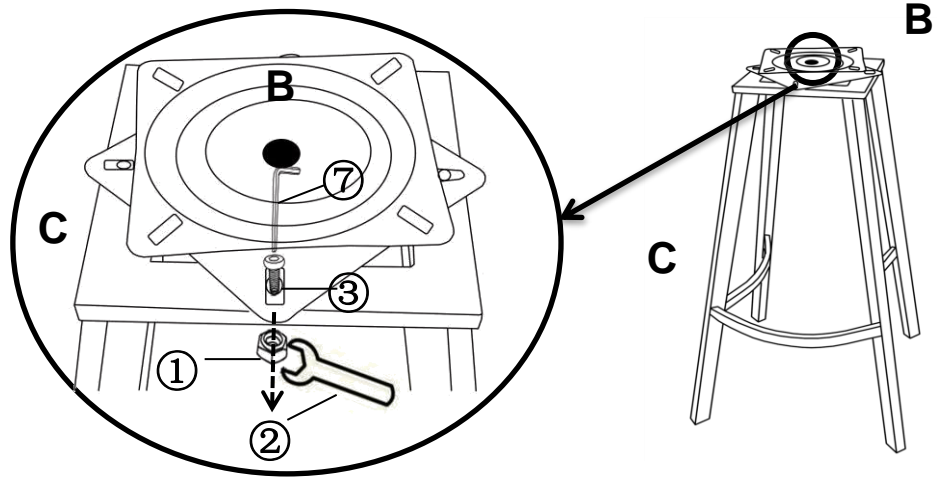
**B**



**C**

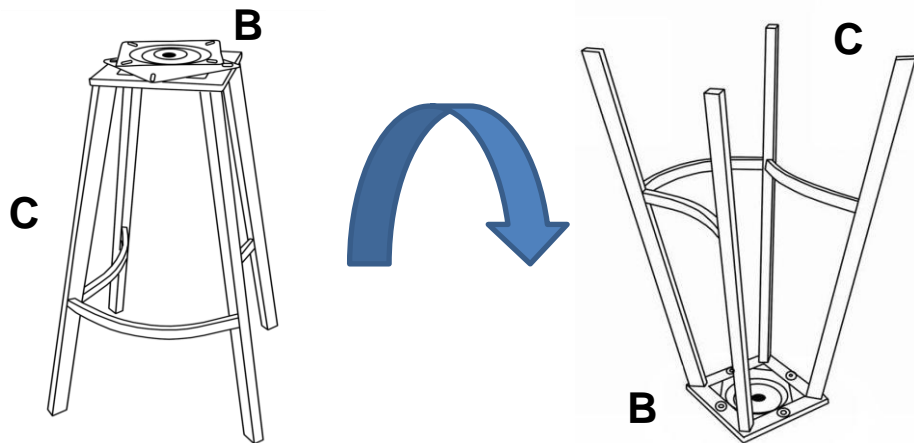
Put the parts on a clean, non-marring surface.

## Step 2



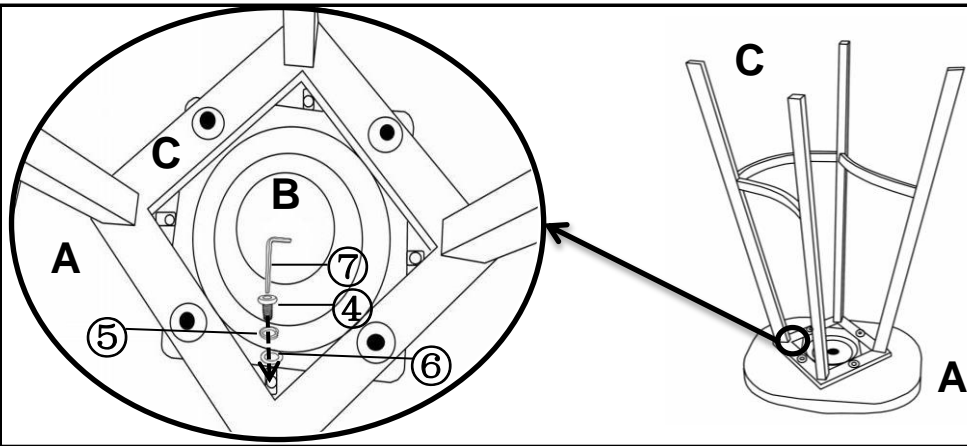
Moved the Swivel Plate(B) to be cross position  
Attach Swivel Plate(B) to Leg Frame (C) using Nuts(①) and  
Bolts(③) with wrench(②) and Allen wrench (⑦) .  
**Do not fully tighten the bolts.**

## Step 3



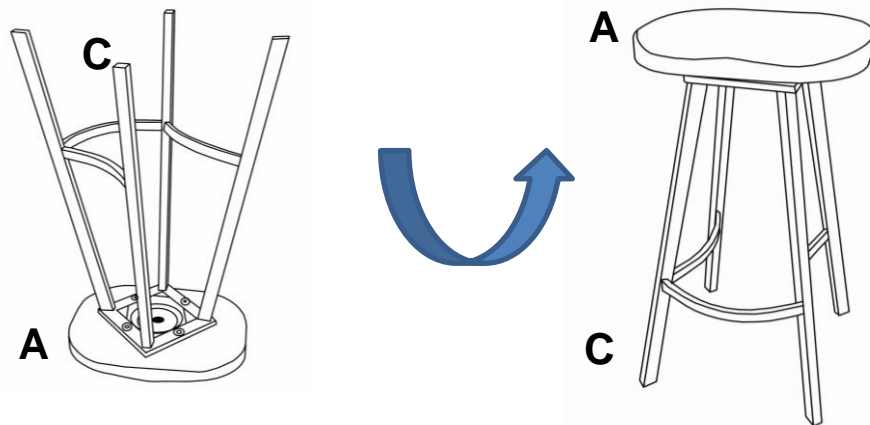
Place the assembled frame facedown as above shown.

### Step 4



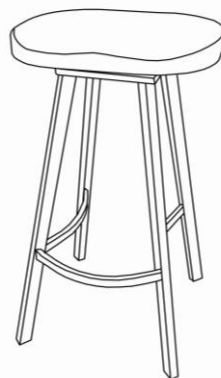
Place the Seat (A) facedown onto a clean surface, as shown. And attach assembled frame to Seat (A) using Bolts(④) , Spring Washer (⑤) and Washer (⑥) with Allen Wrench (⑦) .  
**Do not fully tighten the bolts.**

### Step 5



Stand the Barstool up and check the firmness of swivel plate, tighten all bolts.

### Step 6



Your Barstool is ready for use.  
This Barstool can only be used on a flat, level surface.

## Care & Maintenance



- Furniture may scratch floors. We recommend using furniture pads to protect your floors.



- Do not put hot items directly on furniture surface.



- Do not clean furniture with harsh cleansers or polish.



- Do not place furniture under direct sunlight.



- Do not place furniture near heating or cooling vents.



- Do not write on furniture without a padded barrier to protect the surface.



- Do not place furniture outside . For indoor use only.



- Not for commercial use. For residential use only.



- Stains may be removed with mild soap solution and damp cloth.



- Children should not climb or jump on the furniture



- Dust and pick-up spills using a clean, non-colored, lint-free cloth.