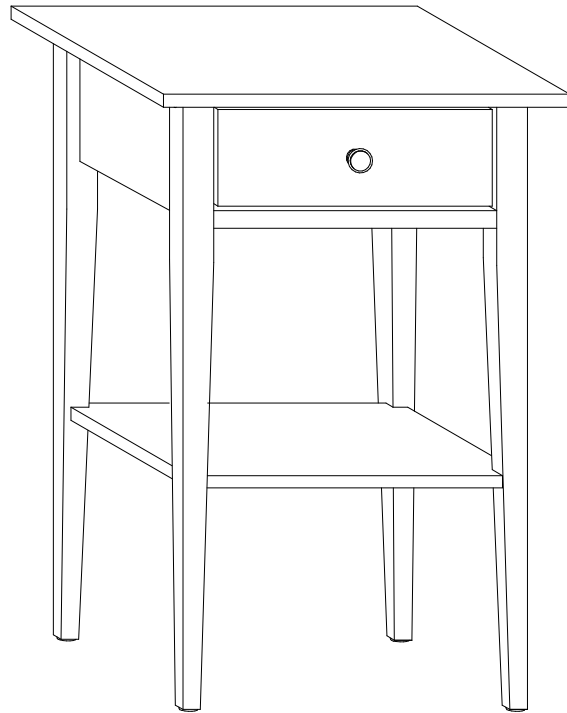
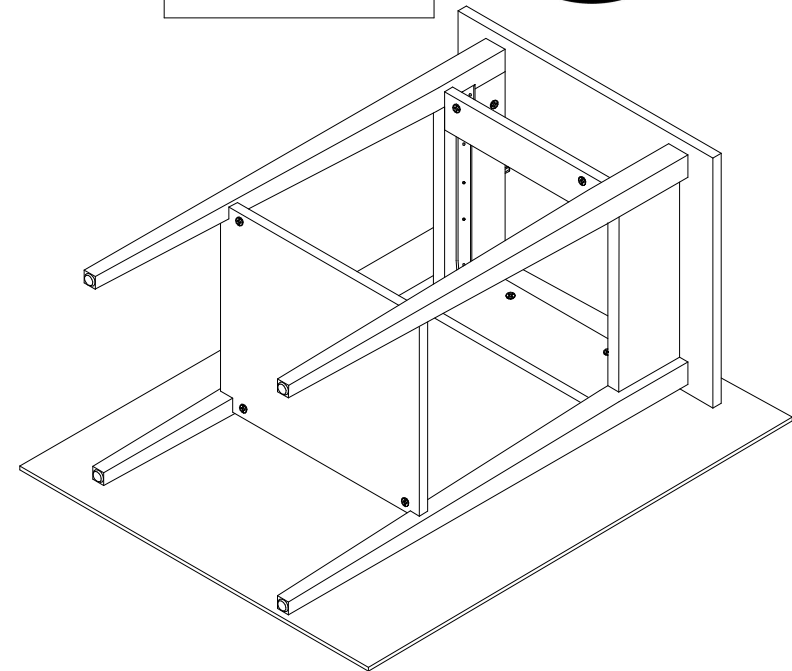
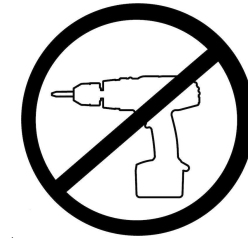
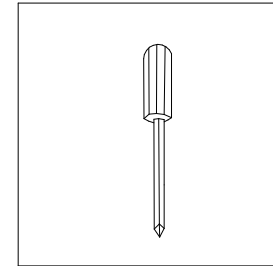


# MODEL : DALTON (NIGHT STAND)



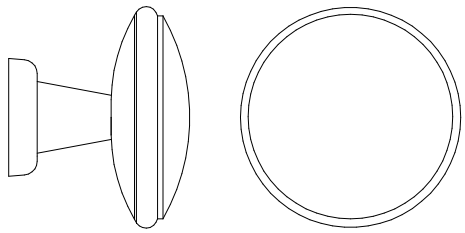
Required Tools : Screwdriver



Please place on the carton while installing to prevent damage or scratches.

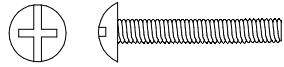


For missing parts/assembly questions call 201-565-6327



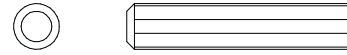
**A** | **1PC**

Steel Handle



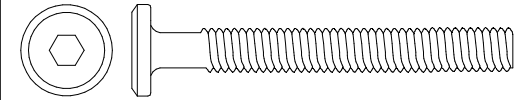
**B** | **1PC**

Handle Screw 25mm



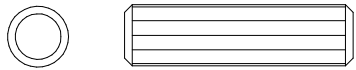
**C** | **4PCS**

Wood Dowel  
M6 X 30mm



**D** | **2PCS**

JCBC Bolt  
M6 X 50mm



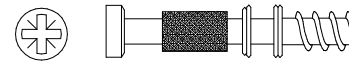
**E** | **8PCS**

Wood Dowel  
M8 X 30mm



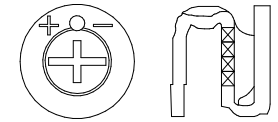
**F** | **1PC**

Allen Key



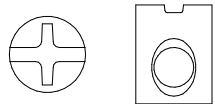
**G** | **14PCS**

Cam Screw



**H** | **14PCS**

Cam Lock



**I** | **2PCS**

Barrel Nut

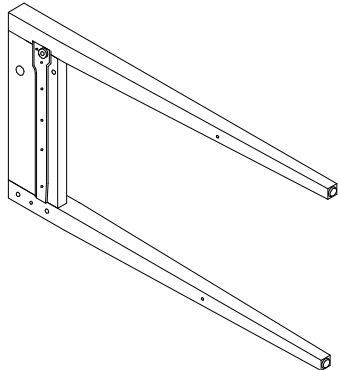
**1 : 1**



# ASSEMBLY INSTRUCTION ( PART & HARDWARE LIST )

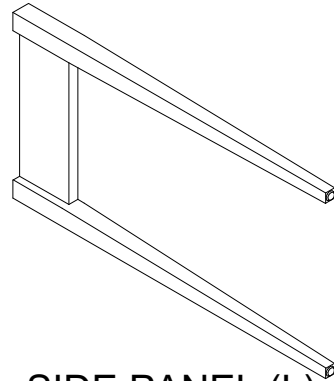
## MODEL : DALTON (NIGHT STAND)

1G.



SIDE PANEL (R)

2G.



SIDE PANEL (L)

3G.

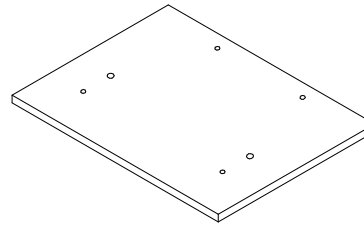
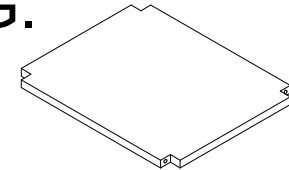


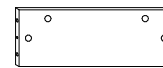
TABLE TOP

4G.



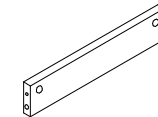
BOTTOM

5G.



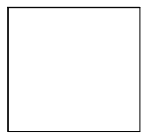
BACK PANEL

6G.



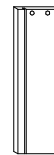
FRONT PANEL

7G.



DRAWER PANEL

8G.



DRAWER SIDE  
PANEL (R)

9G.



DRAWER SIDE  
PANEL (L)

10G.



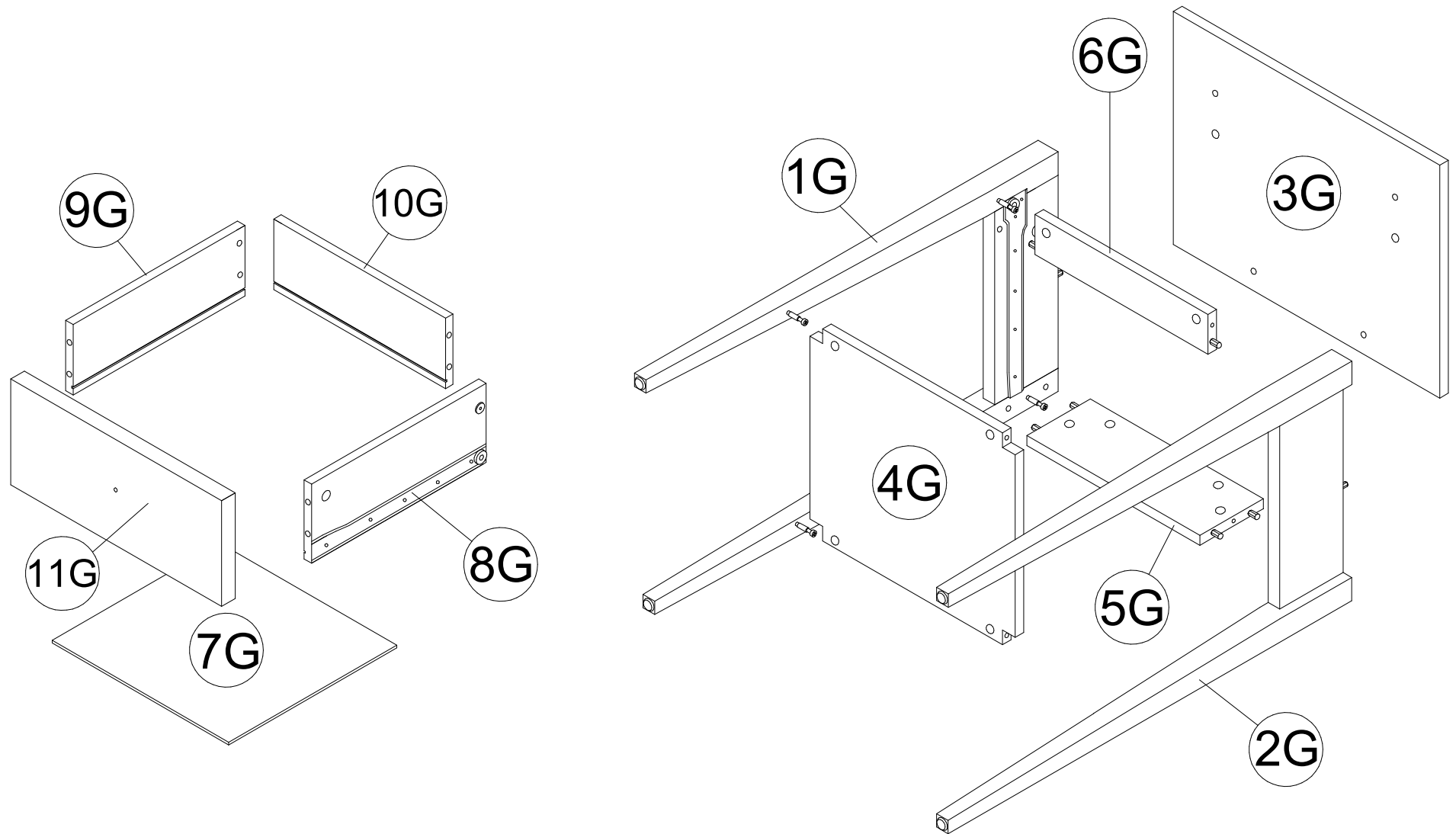
DRAWER BACK PANEL

11G.



DRAWER TOP

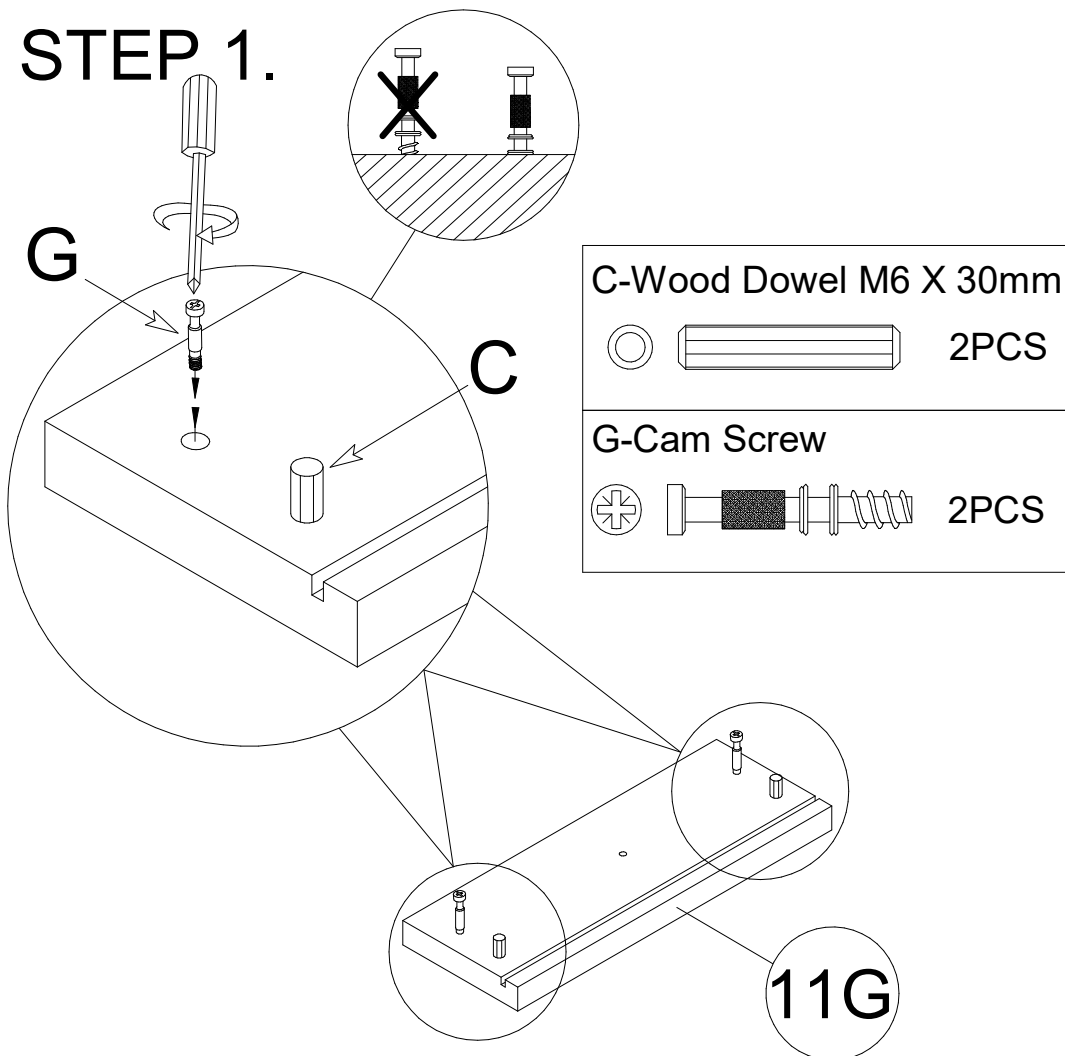
# MODEL : DALTON (NIGHT STAND)



# ASSEMBLY INSTRUCTION

## MODEL : DALTON (NIGHT STAND)

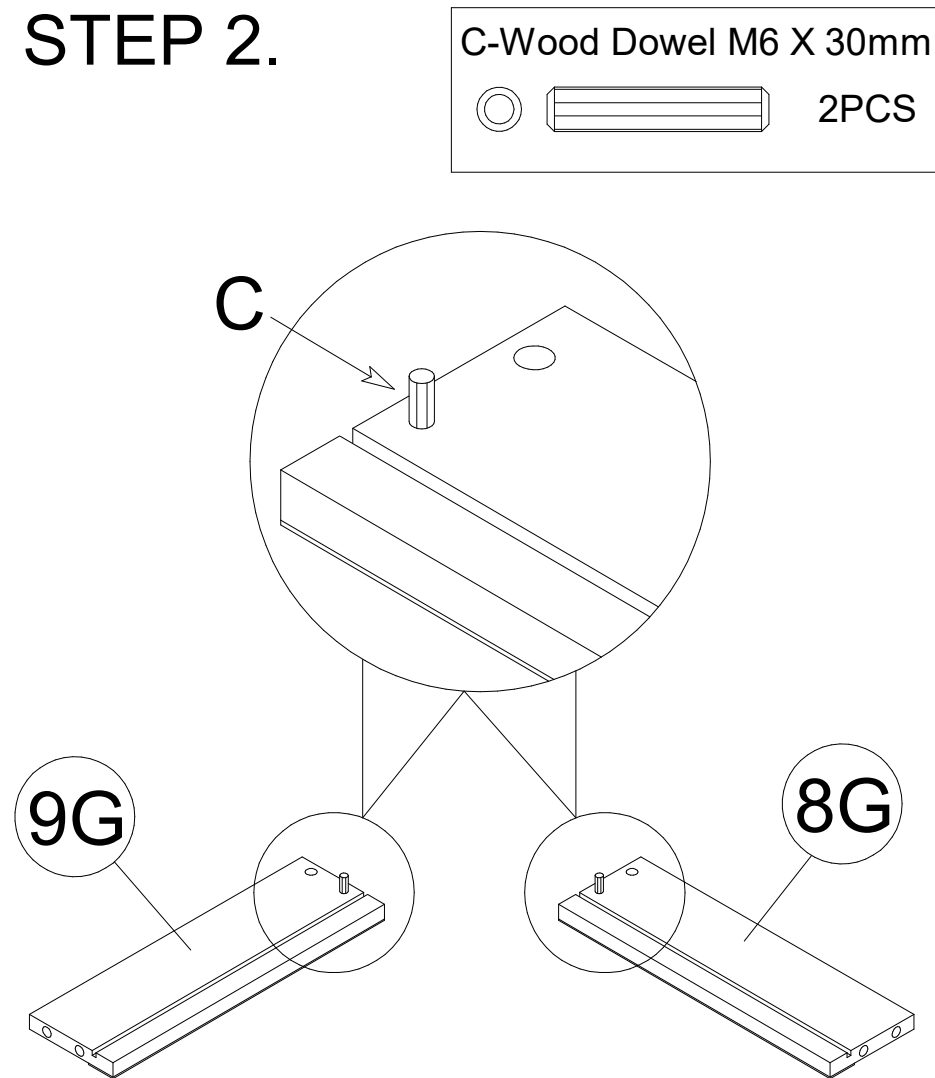
### STEP 1.



Insert wood dowel in predrilled hole.

Tighten fully cam screw (Do not over tighten).

### STEP 2.

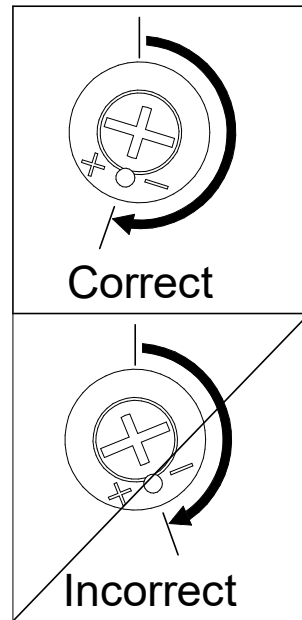
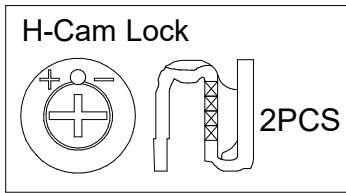
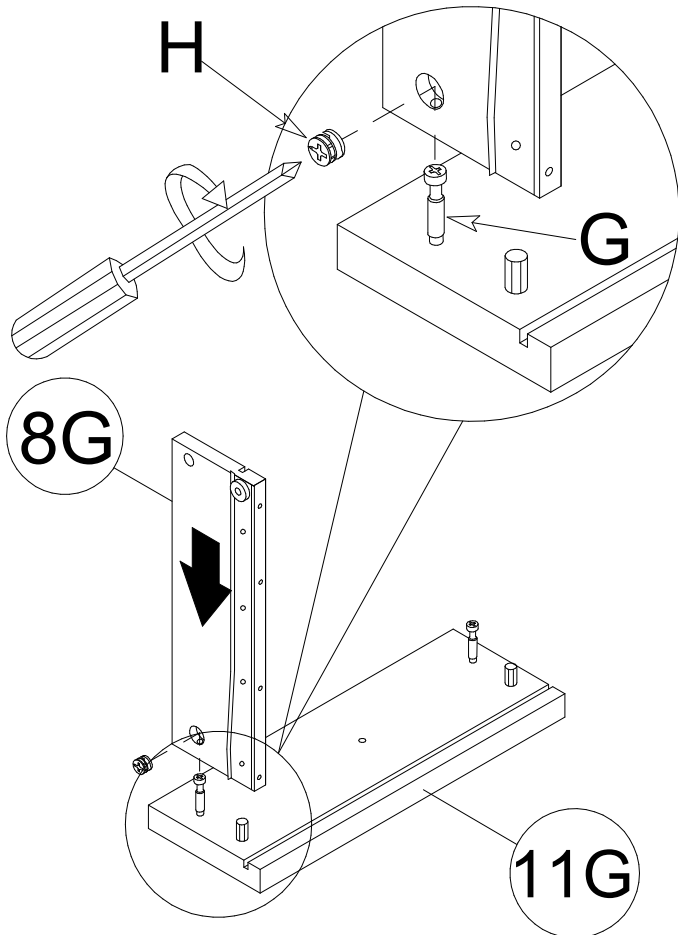


Insert wood dowel in predrilled hole.

# ASSEMBLY INSTRUCTION

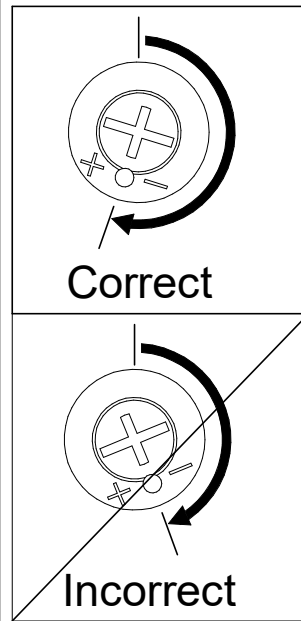
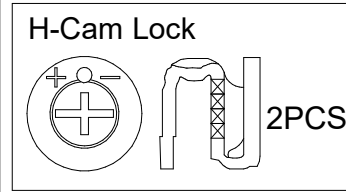
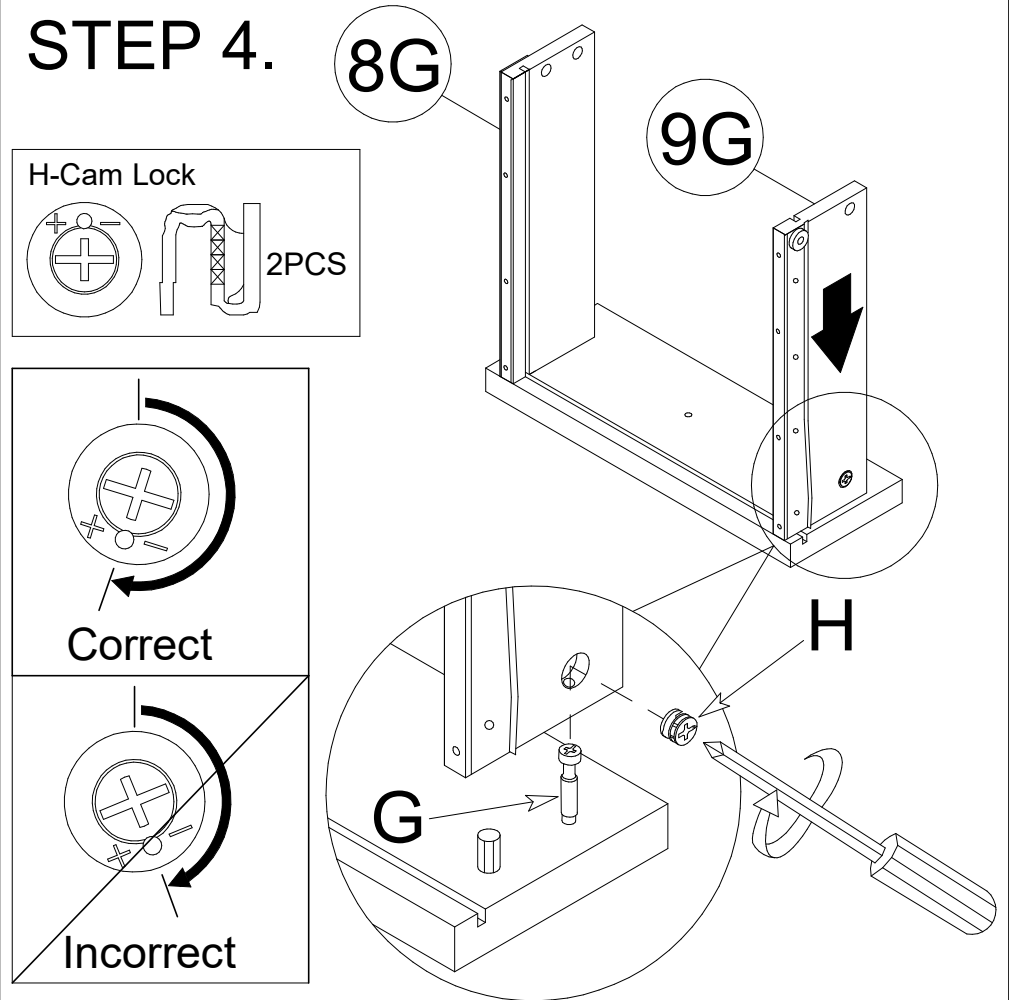
## MODEL : DALTON (NIGHT STAND)

### STEP 3.



Tighten fully. (Do not over tighten).  
 Proper orientation of Cam Lock (H).  
 1/2 turn to fully lock.

### STEP 4.

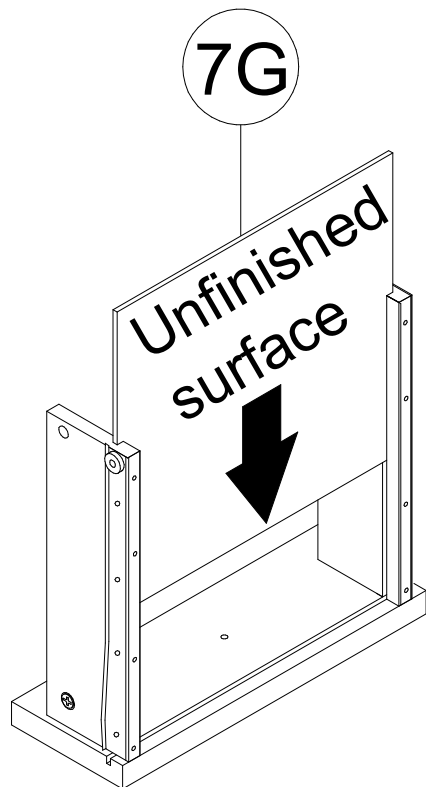


Tighten fully. (Do not over tighten).  
 Proper orientation of Cam Lock (H).  
 1/2 turn to fully lock.

# ASSEMBLY INSTRUCTION

## MODEL : DALTON (NIGHT STAND)

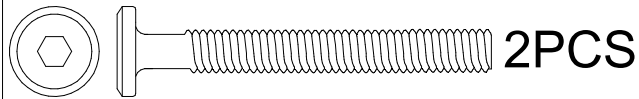
### STEP 5.



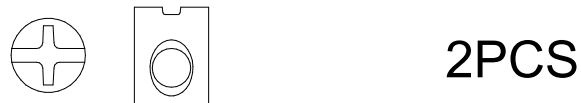
### STEP 6.

1X Drawer

D-JCBC Bolt M6 X 50mm



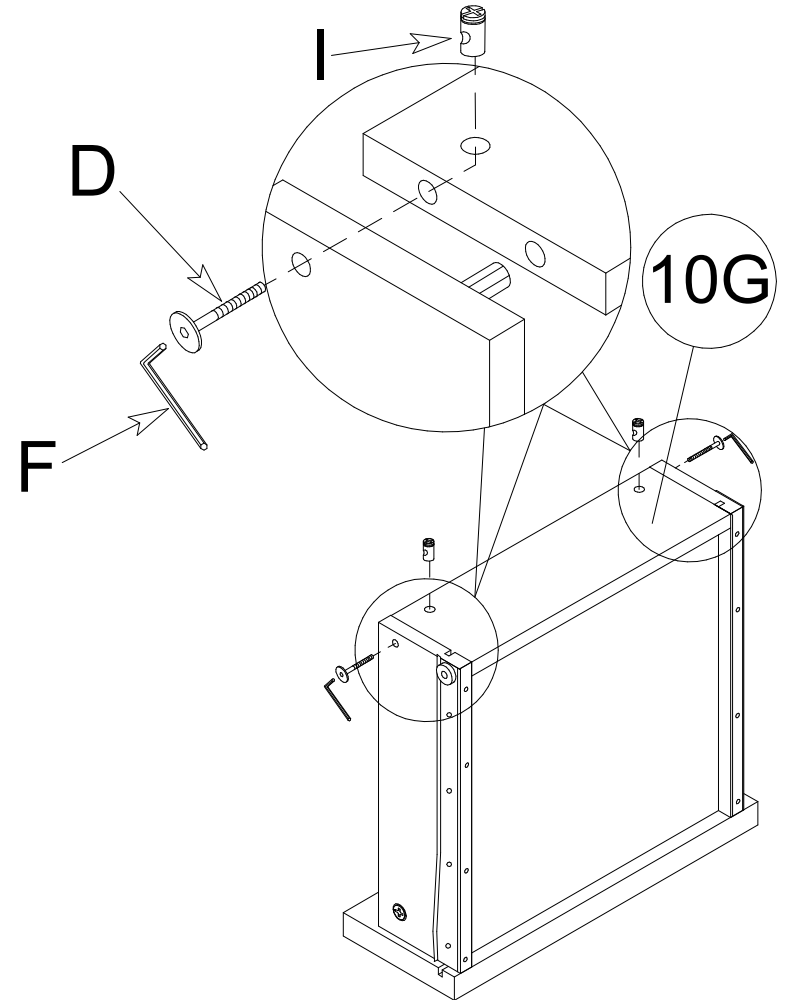
I-Barrel Nut



F-Allen Key



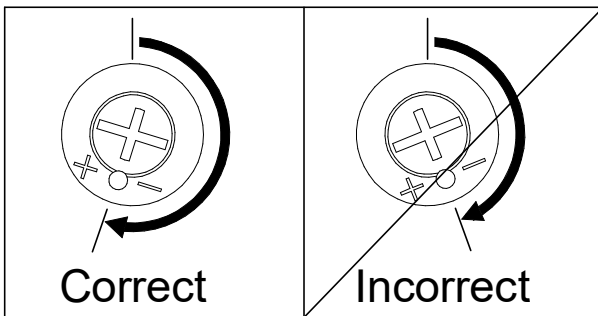
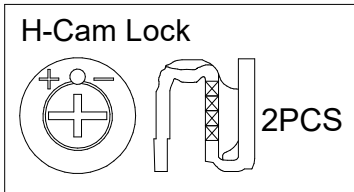
Insert wood dowel in predrilled hole.  
Tighten fully. (Do not over tighten).



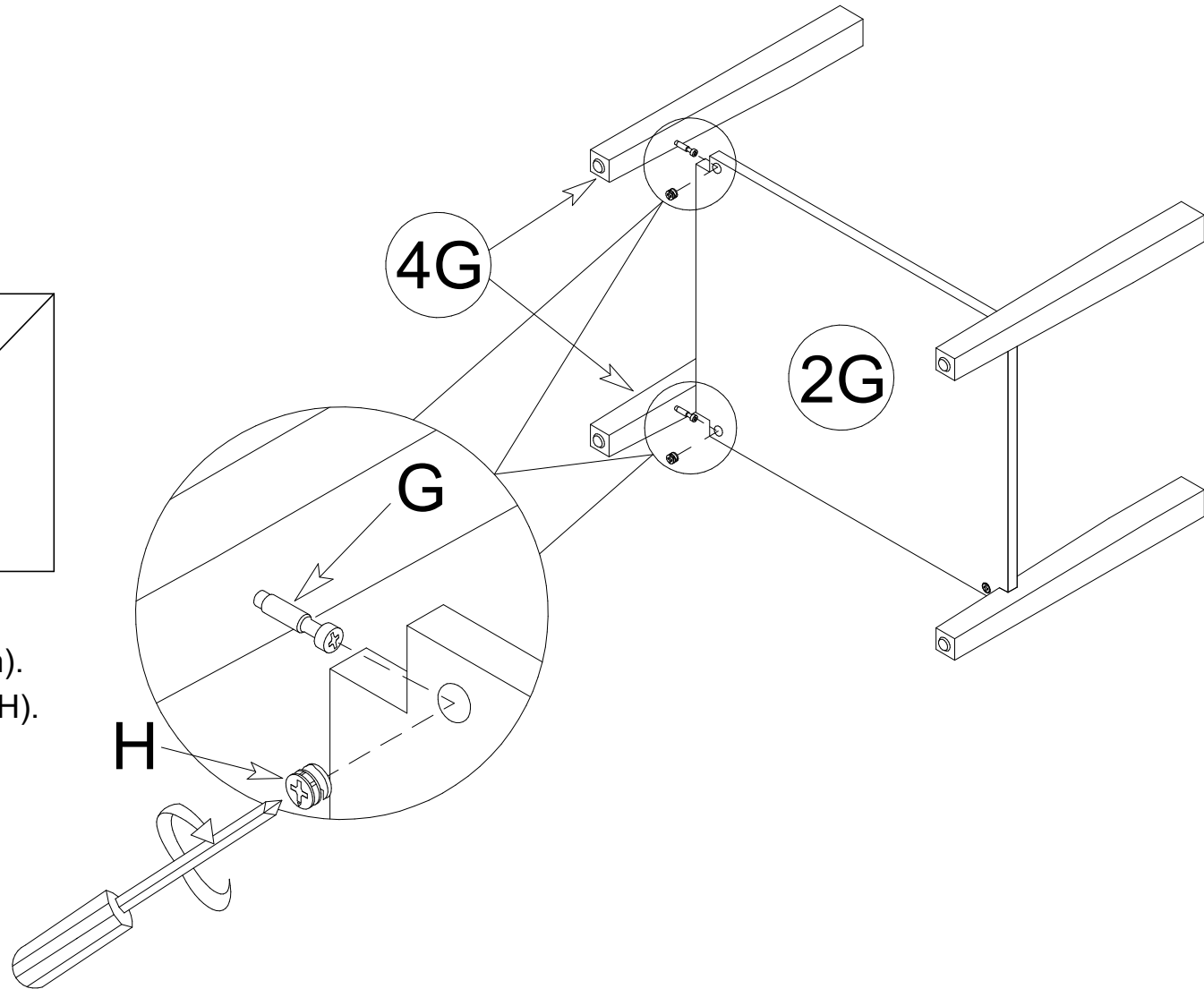
# ASSEMBLY INSTRUCTION

## MODEL : DALTON (NIGHT STAND)

### STEP 7.



Tighten fully. (Do not over tighten).  
Proper orientation of Cam Lock (H).  
1/2 turn to fully lock.



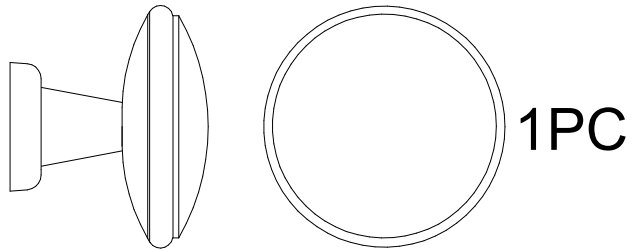
# ASSEMBLY INSTRUCTION

## MODEL : DALTON (NIGHT STAND)

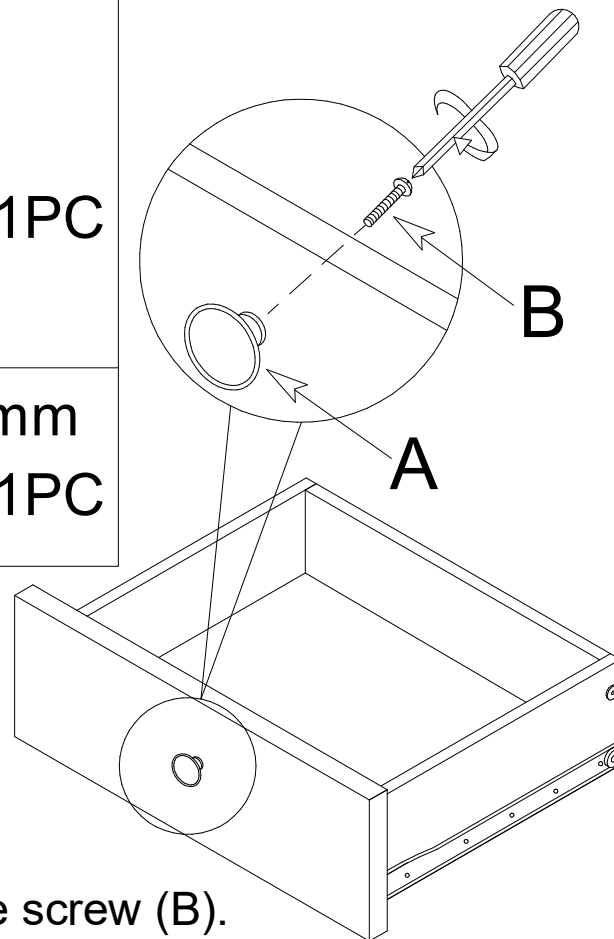
### STEP 8.

Attach handle using handle screw (B).

A-Steel Handle



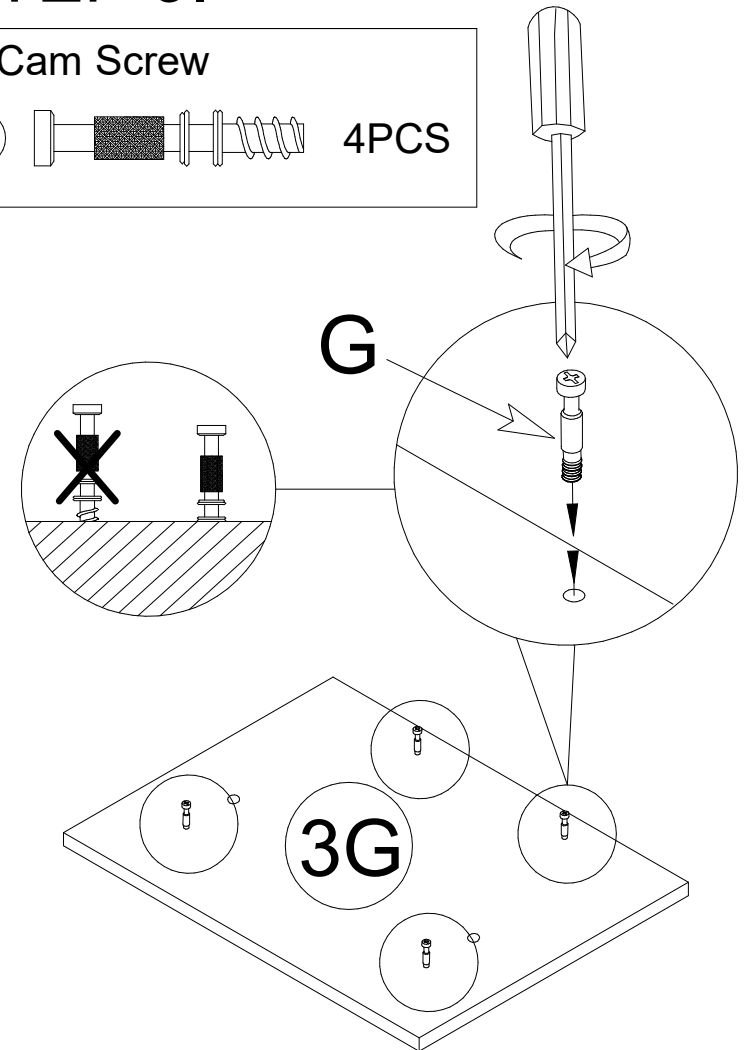
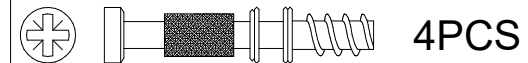
B-Handle Screw 35mm



Attach handle using handle screw (B).

### STEP 9.

G-Cam Screw

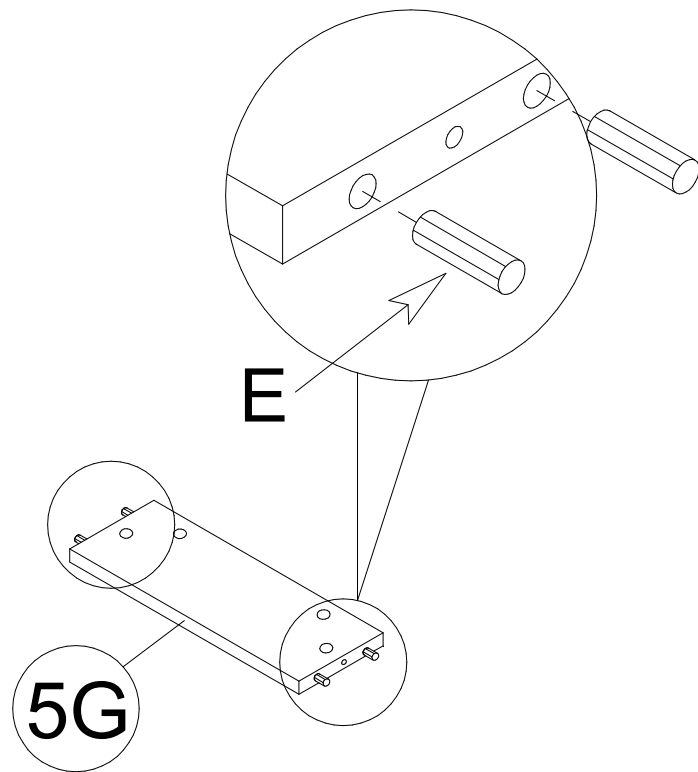
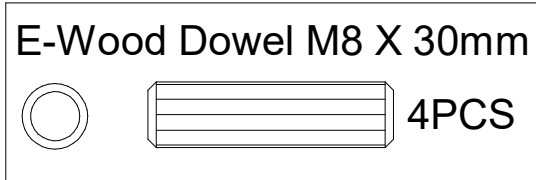


Tighten fully. (Do not over tighten).

# ASSEMBLY INSTRUCTION

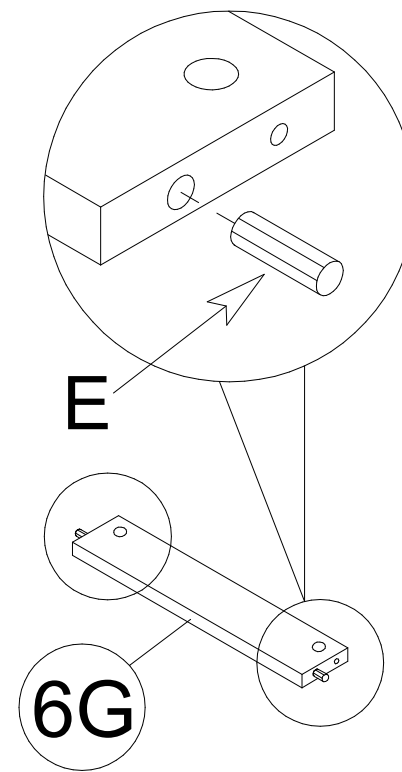
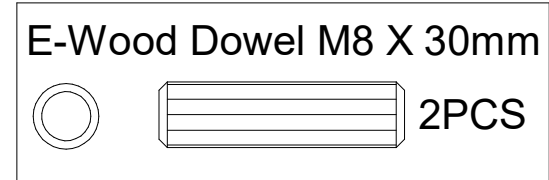
## MODEL : DALTON (NIGHT STAND)

### STEP 10.



Insert wood dowel in predrilled hole.

### STEP 11.



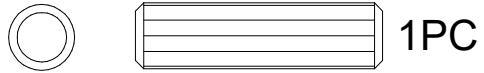
Insert wood dowel in predrilled hole.

# ASSEMBLY INSTRUCTION

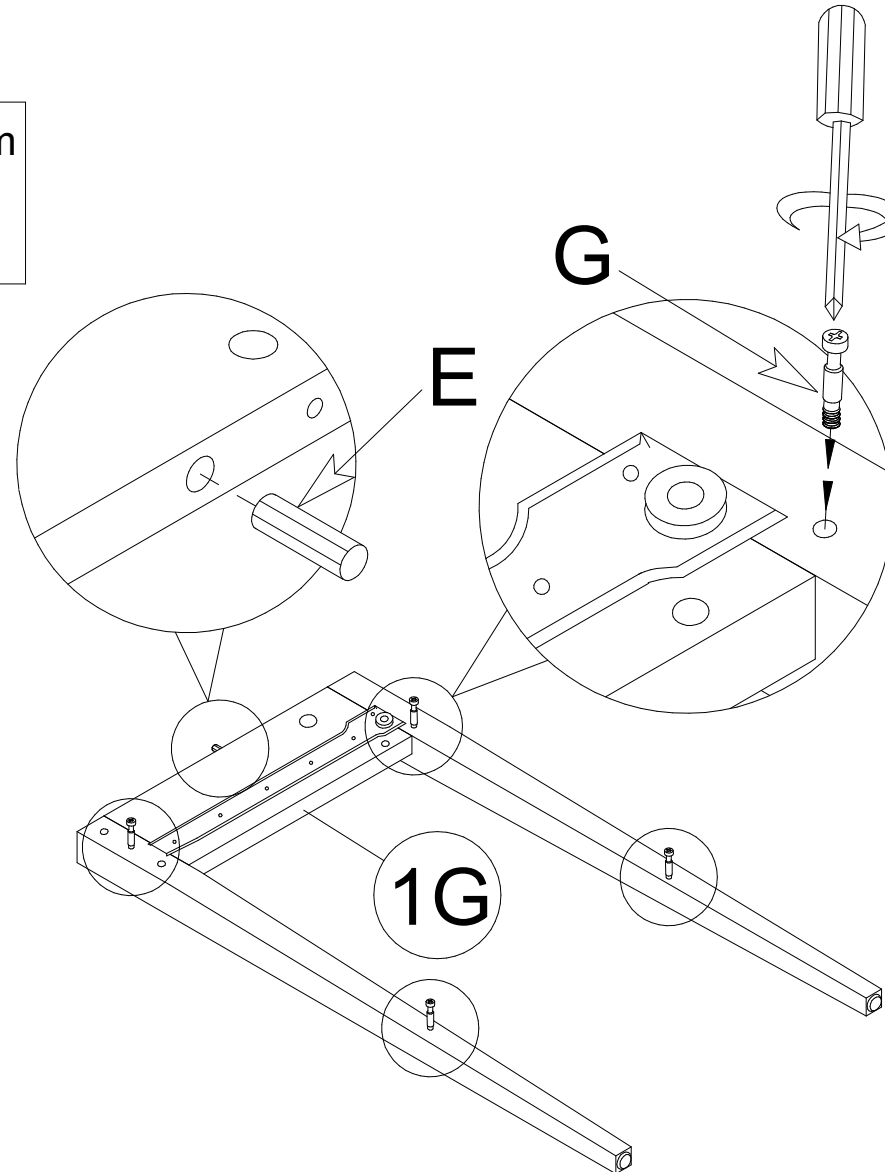
## MODEL : DALTON (NIGHT STAND)

### STEP 12.

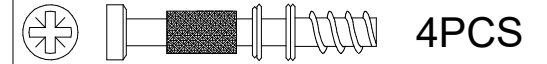
E-Wood Dowel M8 X 30mm



Insert wood dowel  
in predrilled hole.



G-Cam Screw



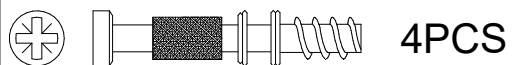
Tighten fully cam screw  
(Do not over tighten).

# ASSEMBLY INSTRUCTION

## MODEL : DALTON (NIGHT STAND)

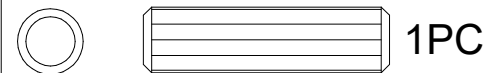
### STEP 13.

G-Cam Screw

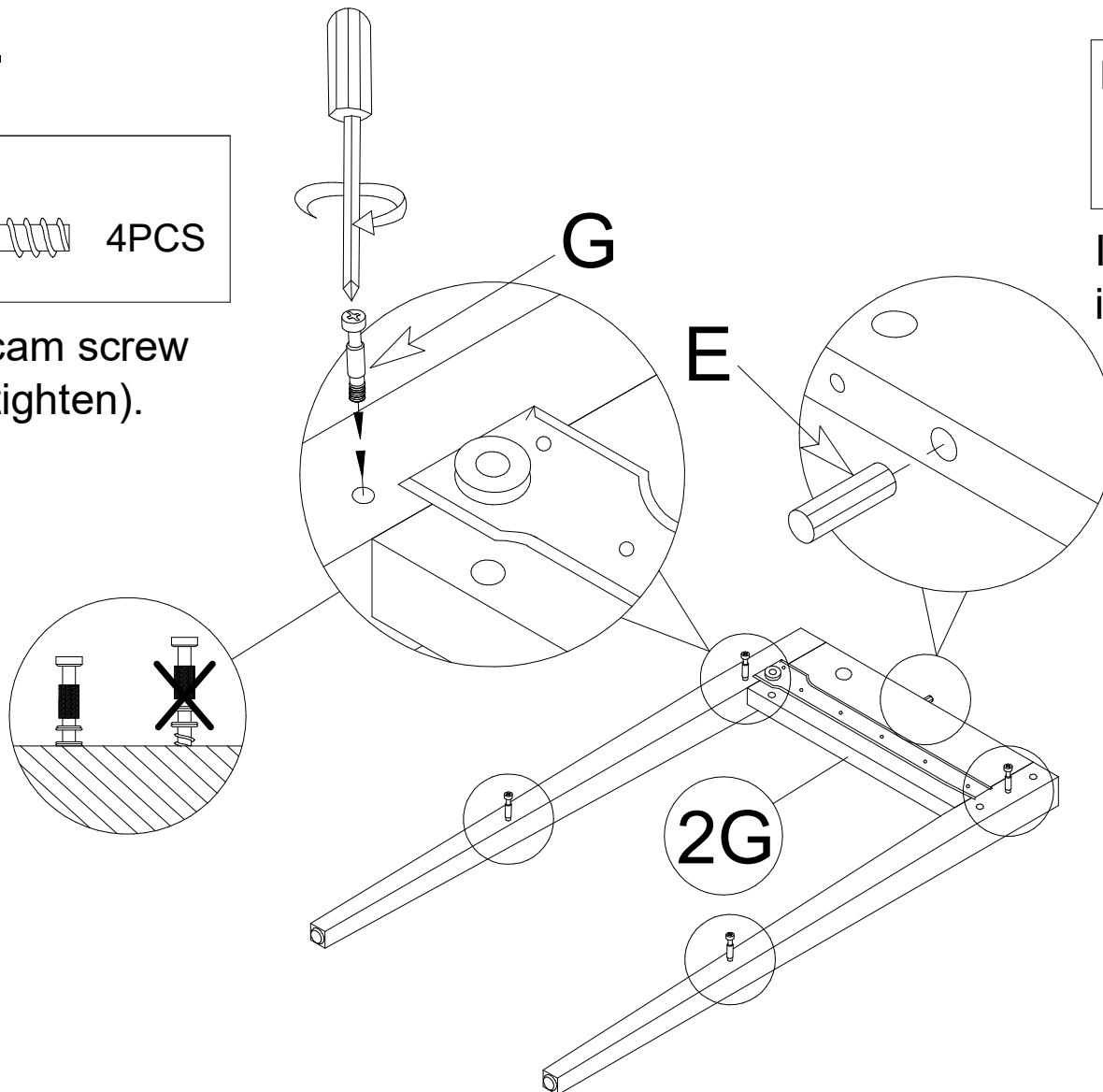


Tighten fully cam screw  
(Do not over tighten).

E-Wood Dowel M8 X 30mm



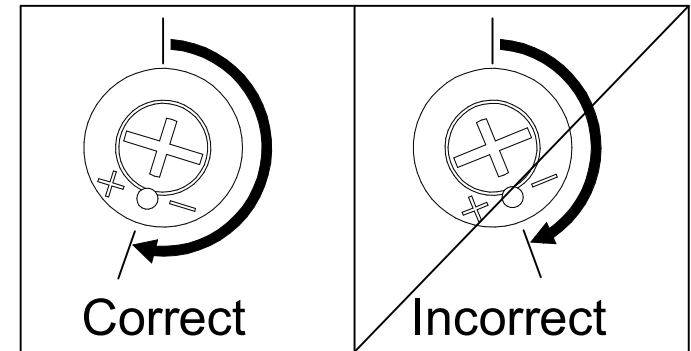
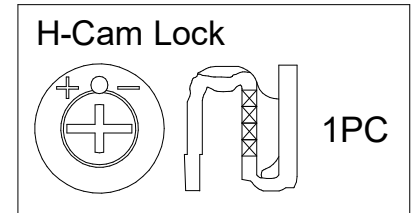
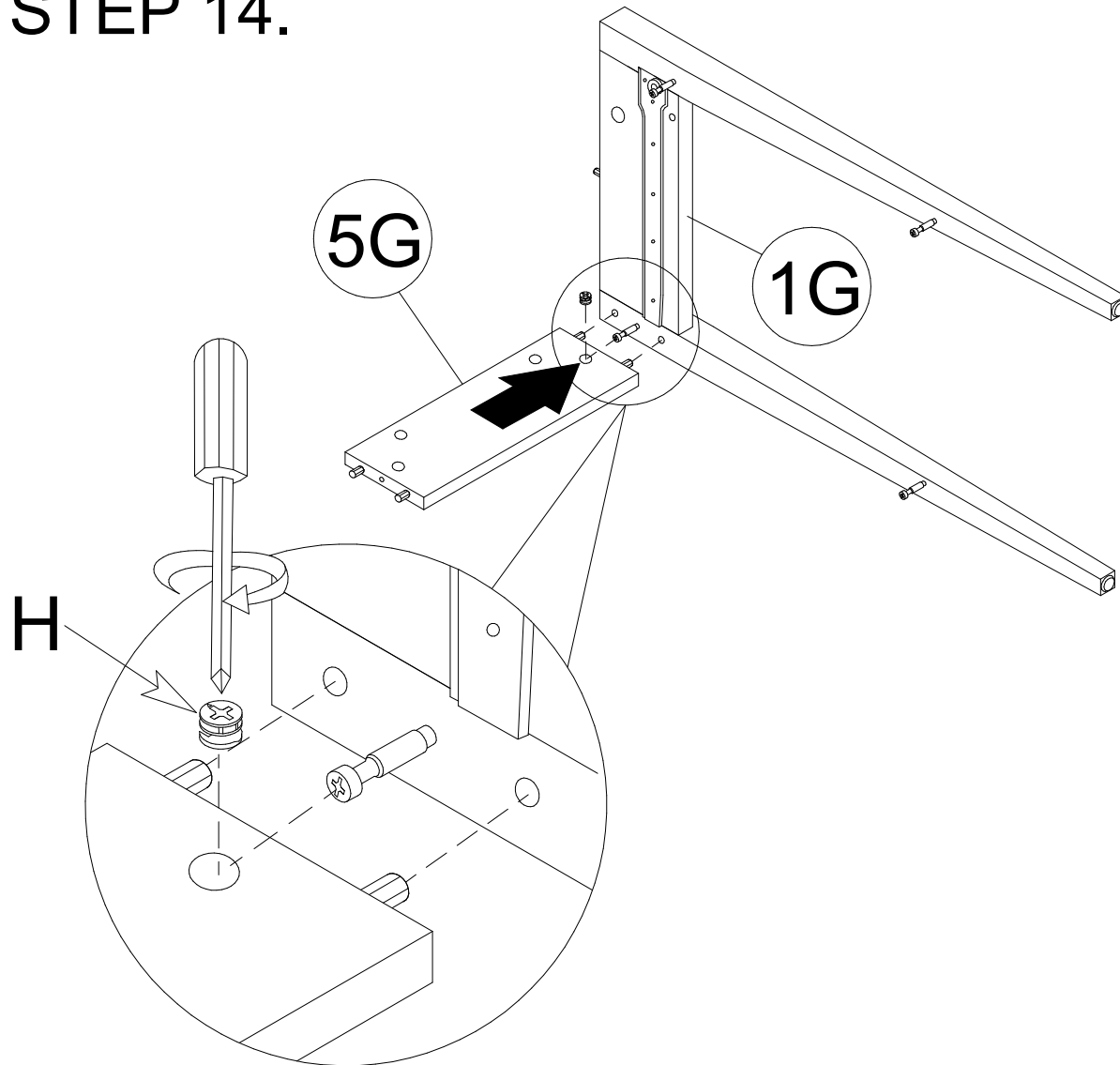
Insert wood dowel  
in predrilled hole.



# ASSEMBLY INSTRUCTION

## MODEL : DALTON (NIGHT STAND)

### STEP 14.

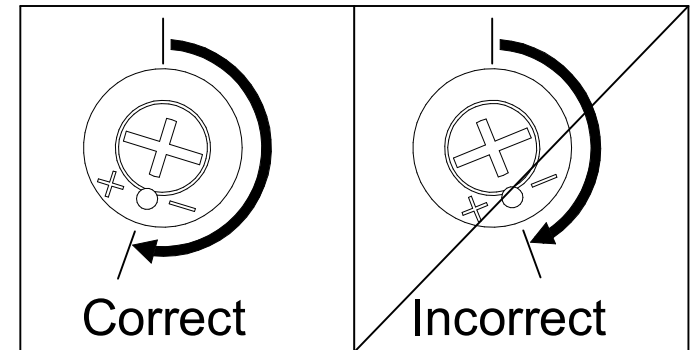
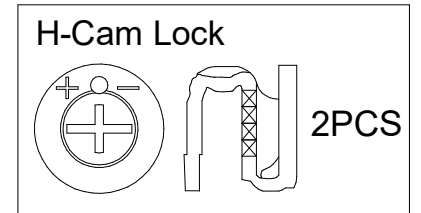
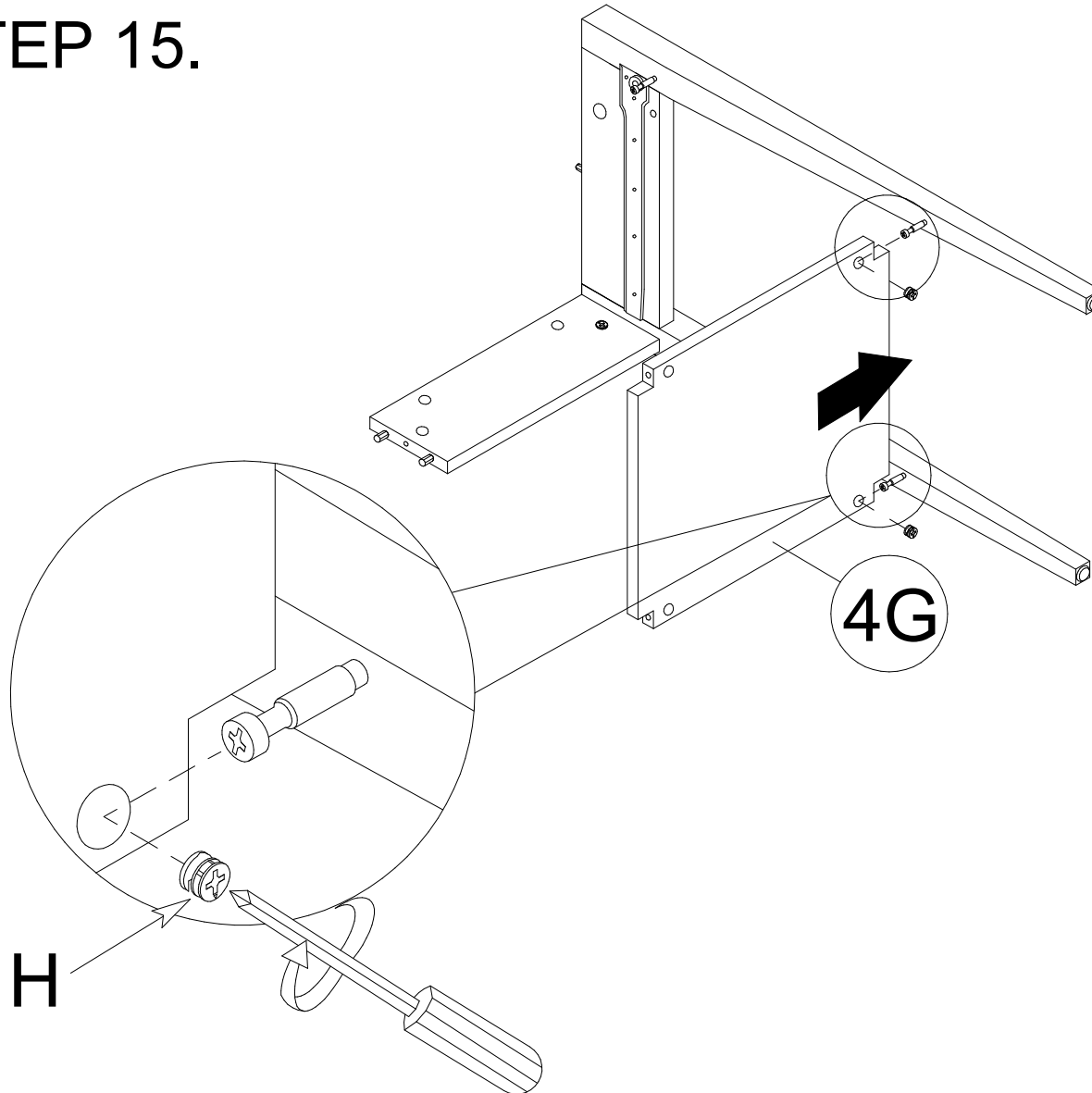


Tighten fully. (Do not over tighten).  
Proper orientation of Cam Lock (H).  
1/2 turn to fully lock.

# ASSEMBLY INSTRUCTION

## MODEL : DALTON (NIGHT STAND)

### STEP 15.

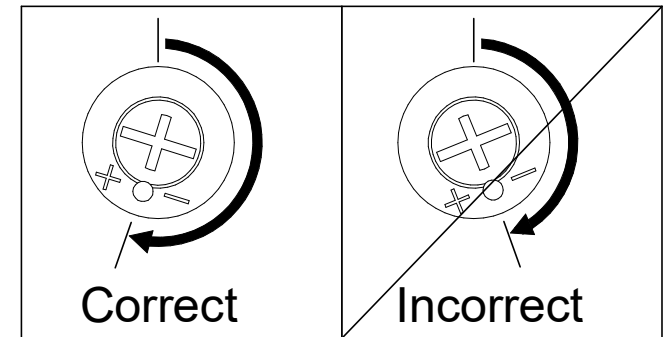
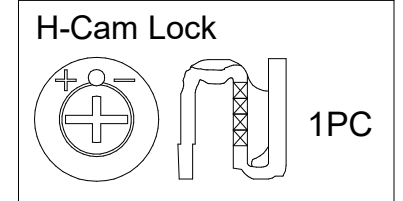
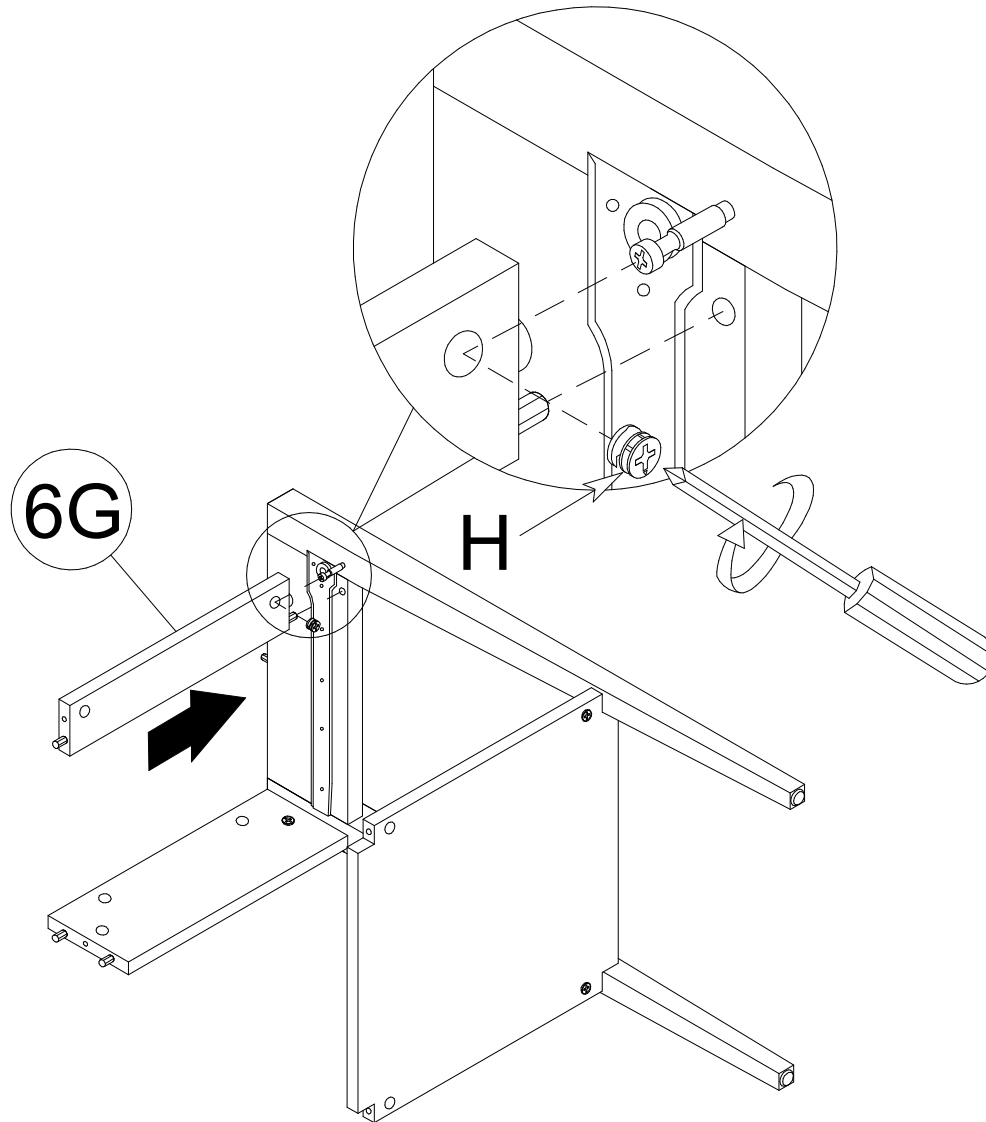


Tighten fully. (Do not over tighten).  
Proper orientation of Cam Lock (H).  
1/2 turn to fully lock.

# ASSEMBLY INSTRUCTION

## MODEL : DALTON (NIGHT STAND)

### STEP 16.

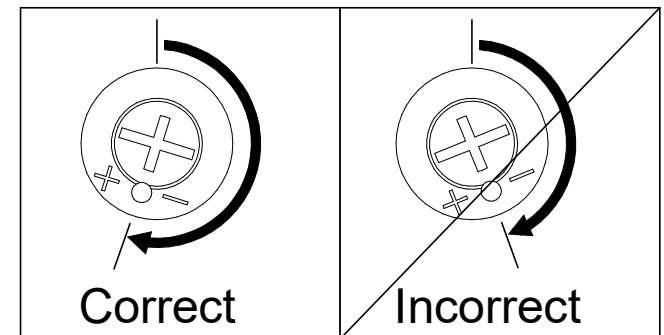
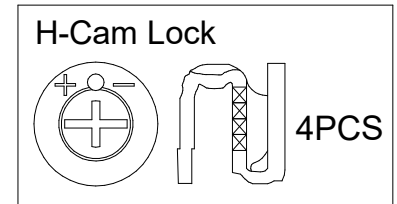
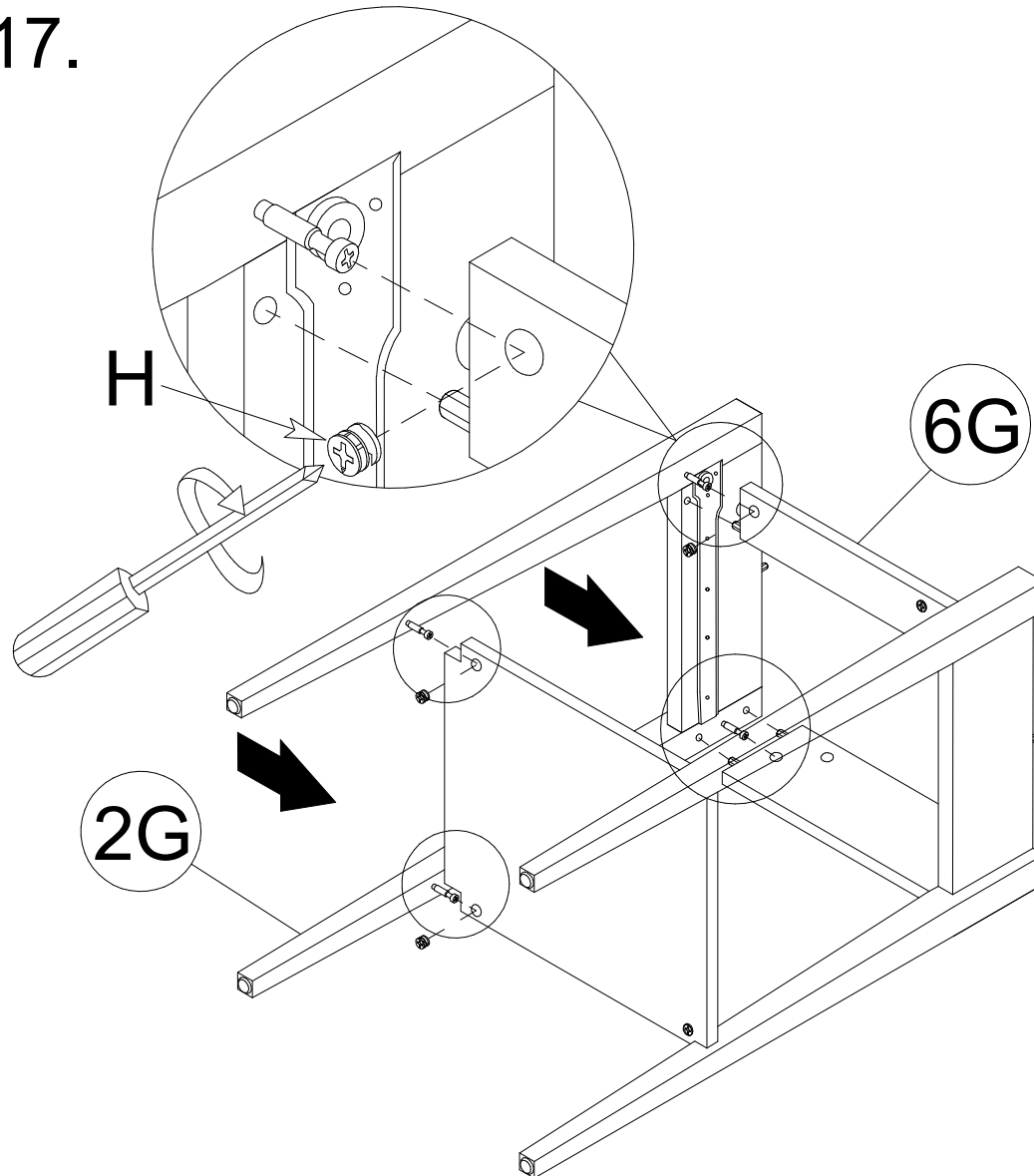


Tighten fully. (Do not over tighten).  
Proper orientation of Cam Lock (H).  
1/2 turn to fully lock.

# ASSEMBLY INSTRUCTION

## MODEL : DALTON (NIGHT STAND)

### STEP 17.

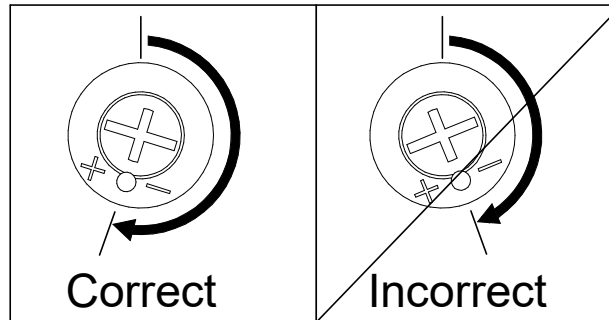
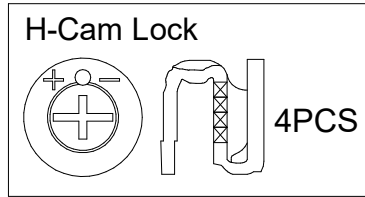
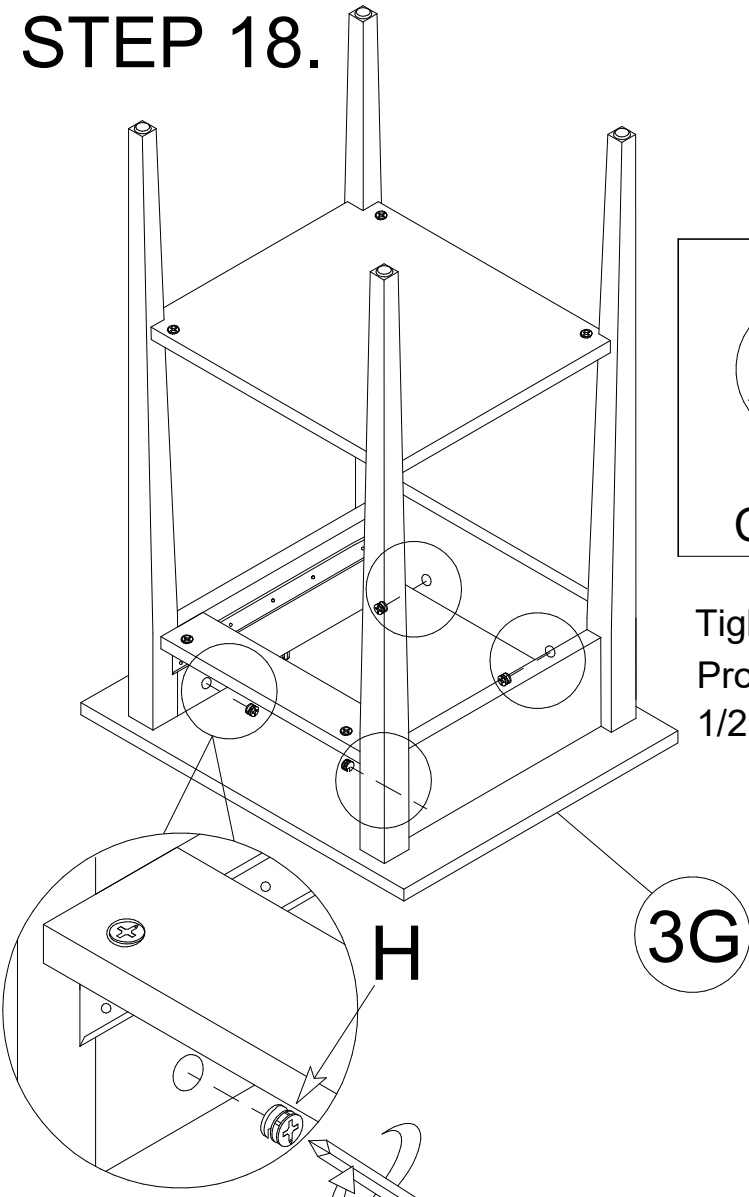


Tighten fully. (Do not over tighten).  
Proper orientation of Cam Lock (H).  
1/2 turn to fully lock.

# ASSEMBLY INSTRUCTION

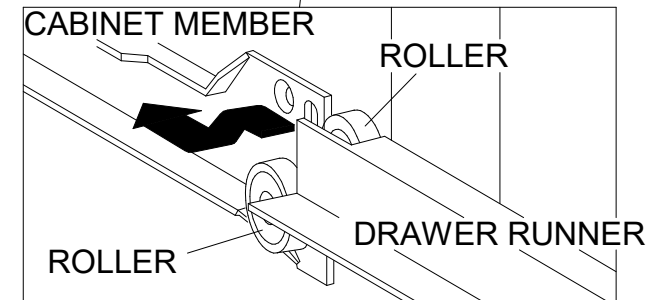
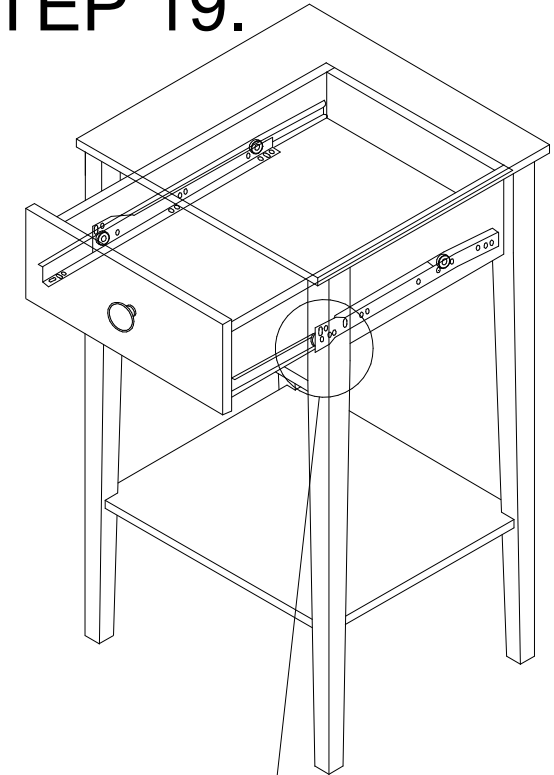
## MODEL : DALTON (NIGHT STAND)

### STEP 18.



Tighten fully. (Do not over tighten).  
Proper orientation of Cam Lock (H).  
1/2 turn to fully lock.

### STEP 19.



Put in drawer on the track.