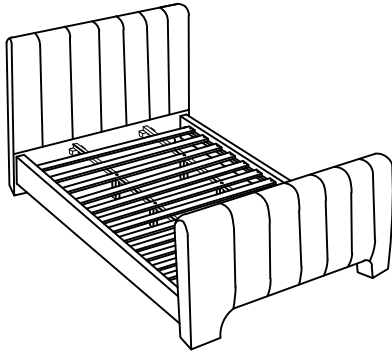


# ASSEMBLY INSTRUCTION

## Bed- K



**+ Do Not Use  
Power Tools**



**+Suggested  
Adults**



**NOTE:**

- 1 Read instructions cover to cover.
- 2 Save all packaging until assembly is completed.

**1 IMPORTANT SAFETY INFORMATION**

**Do not** assemble the product if any of the following parts arrived damaged:

- |                                  |                       |
|----------------------------------|-----------------------|
| Part#1 -Headboard                | Part#7 -Center leg    |
| Part#2 -Footboard                |                       |
| Part#3 -Wood strip for Side rail |                       |
| Part#4 -Center support rails     |                       |
| Part#5 -Side rail                | Part#8 -Wood Block on |
| Part#6 -Slats                    | Headboard & Footboard |

**Do not** assemble it if any of the following Hardware parts are missing:

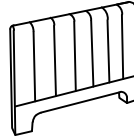
- |                       |                       |
|-----------------------|-----------------------|
| Part#B,E, -Bolt       | Part#D, -Lock washer  |
| Part#A, -Allen Key    | Part#G -Metal bracket |
| Part#C,H -Flat washer | Part#F -screw         |

**2 IMPORTANT SAFETY INFORMATION**

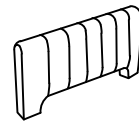
**Assembly Step** if loosening persists, please make sure to tighten all the bolts periodically, or use a thread locker adhesive.

### +Parts Included

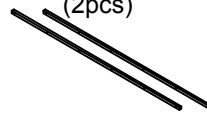
① Headboard (1pc)



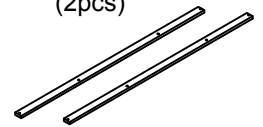
② Footboard (1pc)



③ Wood strip for Side rail (2pcs)



④ Center support rails (2pcs)



⑤ Side rail (2pcs)



⑥ Slats (13pcs)



⑦ Center leg (8pcs)



⑧ Wood Block on Headboard & Footboard (4pcs)



### +Hardware Included

A Ø1/4" (1pc)



B Ø5/16"\*1" (16pcs)



C Ø5/16" (16pcs)



D Ø5/16" (40pcs)



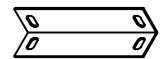
E Ø1/4" \*2" 3/8" (24pcs)



F #8\*30mm (30pcs)



G Metal bracket (4pcs)

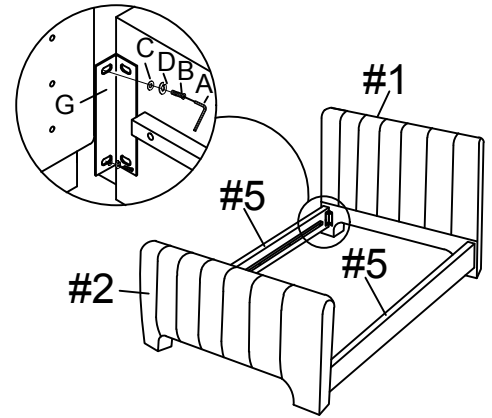


H Ø1/4" (24pcs)

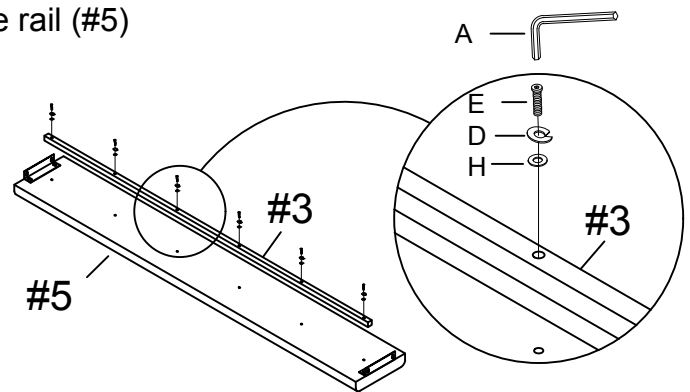


# ASSEMBLY INSTRUCTION

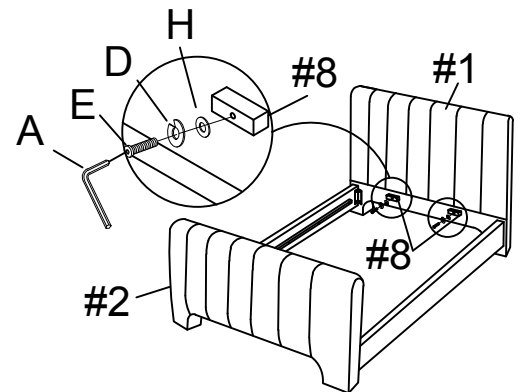
- 1 Step 1. Attach Metal Bracket (G) to side rail (#5), Headboard (#1) and Footboard (#2) with Bolt (B), Lock washer (D) and Flat washer (C). Tighten with Allen Key (A).



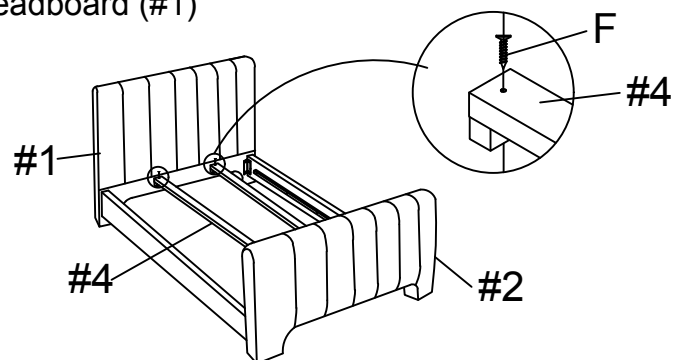
- 2 Step 2. Attach Wood strip for Side rail (#3) to side rail (#5) with Bolt (E), Lock washer (D) and Flat washer (H). Tighten with Allen Key (A).



- 3 Step 3. Attach Wood Block on (#8) to Headboard (#1) and Footboard (#2) with Bolt (E), Lock washer (D) and Flat washer (H). Tighten with Allen Key (A).

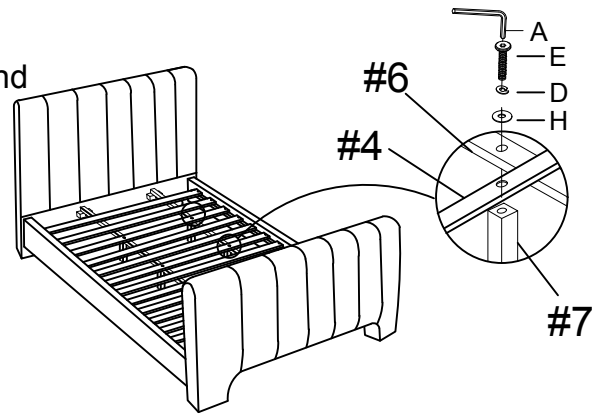


- 4 Step 4. Attach Center support rails (#4) to Headboard (#1) and Footboard (#2) with Screw (F).

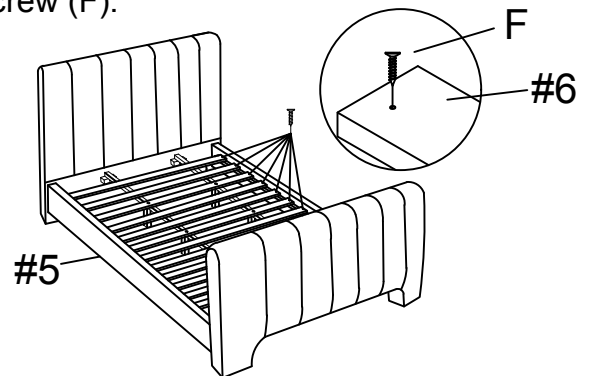


# ASSEMBLY INSTRUCTION

- 5 Step 5. Attach Center leg (#7) to Middle support rail (#4) and Slats (#6) with Bolt (E), Lock washer (D) and Flat washer (H) .Tighten with Allen Key (A).



- 6 Step 6. Attach Slats (#6) and to Side rail (#5) by Screw (F).



- 7 Assembly Complete.

