

STORAGE CABINET

— Installation Manual



Parts List

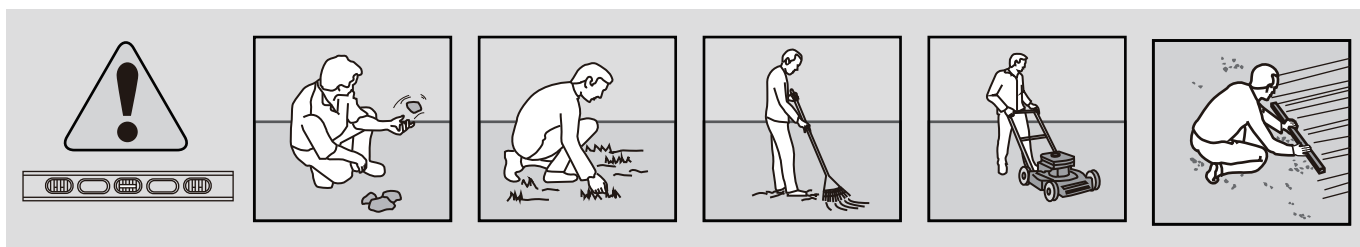
A Carton

No.	Parts No.	Name	Material	Quantity	Specifications
1	A	Bottom Panel	HDPE	1	50.24*29.06*1.38 (inches)
2	H	Top Panel	HDPE	1	49.6*28.74*1.73 (inches)
3	C	Left back panel	HDPE	1	40.16*23.74*0.98 (inches)
4	B	Right back panel	HDPE	1	40.16*21.78*0.98 (inches)
5	D	Left side panel	HDPE	1	40.16*27.32*4.53 (inches)
6	E	Right side panel	HDPE	1	40.16*27.32*4.5 (inches)
7	F	Left Door Panel	HDPE	1	38.86*23.43*1.5 (inches)
8	G	Right Door Panel	HDPE	1	38.86*22.56*1.5 (inches)
9	H1	Hinge	Plastic	6	70x60x25 (mm)
10	L1	Shaped Hinge	Metal	1	51x81x8.5 (mm)
11	L4	Right door L lock piece	Metal	1	36.5x20x15.5 (mm)
12	L5	Left door L lock piece	Metal	1	39x20x20 (mm)
13	L2	Latch-1	Plastic	1	61x40x15 (mm)
14	L3	Latch-2	Plastic	1	88x42.4x12.8 (mm)
15	S5	Supporting Bar	Metal	1	317x64x8 (mm)
16	G2	Supporting Bar Washer	Metal	1	38x16x1.2 (mm)
17	S2	Plastic Screw	Plastic	6	M9.5x25.5 (mm)
18	S1	Plastic Screw	Plastic	3	M9.5x18.5 (mm)
19	G1	Reinforcing Washer	Metal	12	58x18x1.2 (mm)
20	S3	Self-Tapping Screw	Metal	12	M4x10 (mm)
21	S4	Self-Tapping Screw	Metal	24	M5.5x19 (mm)

22		Instructions	/	1	/
23		Spare parts	/	1	/

please save the spare parts.

LEVEL THE GROUND SURFACE



Level the ground surface before unpacking parts and beginning assembly.

REQUIRED TOOLS



6mm Allen Key



Screwdriver

Not included in the accessory pack

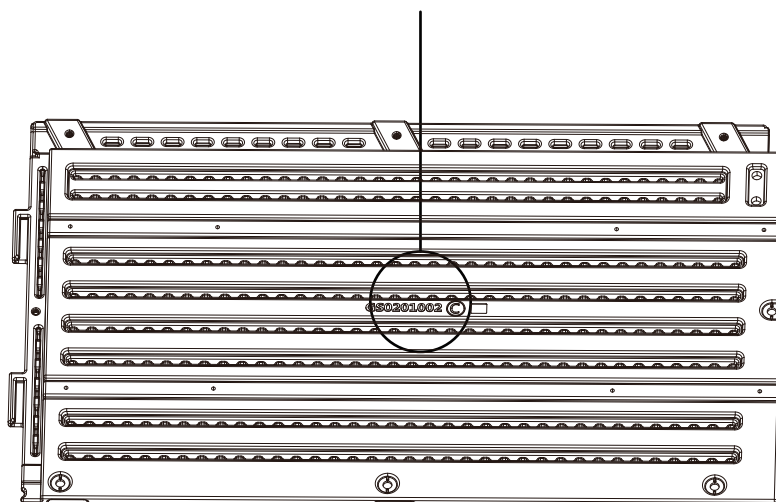


electric drill

Not included in the accessory pack

PARTS NO. POSITION

Parts NO. Position



ABOUT PRODUCT ASSEMBLY

Do not to assemble the storage shed on severe cold or strong windy days.

We would advise 2 person to assist in the assembly of the storage shed to secure parts in place.

Please check your package according to the PARTS LIST in the instructions to ensure that there are no missing or damaged before you starting assembly, kindly contact us if you find any wrong.

Please read instructions thoroughly prior to assembly, assemble all the parts according to the directions in this instructions , do not skip and steps

There have (Parts NO, Specifications and Quantity) are imprinted on each kind of part for easy identification

KINYING company provides extra hardware for use as spare parts for customer convenience. **Please save the spare parts.**

We would kindly advise you to follow the instructions in the manual to install, wrong assembly methods can result in damage to the inside of the hole to create links between the panels loose or unable to assembled properly.

ABOUT PRODUCT MAINTENANCE

This storage shed should be far away from the open flame.

Do not use the storage shed in extreme weather conditions.

Do not stack more than 20 kg items on the storage shed roof all the time in case deformation of the roof.

At regular check the storage shed to ensure that it's stable and assembly integrity has been maintained.

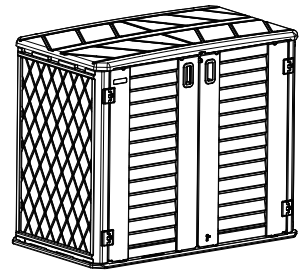
Please keep doors closed and locked outdoor when the storage shed is not in use long time to prevent wind damaged or damaged by animals or bad people.

Do not store hot items(recently used grills, blowtorches etc.),flammable or caustic chemicals in the storage shed.

Wash the storage shed with a mild soap and water if there is any stain on the storage shed. Do not use a stiff brush,bleach,ammonia or any other caustic cleaners, as these may damage the storage shed or could result in permanent staining of the plastic.This is not manufacturing defect and is not covered under warranty.

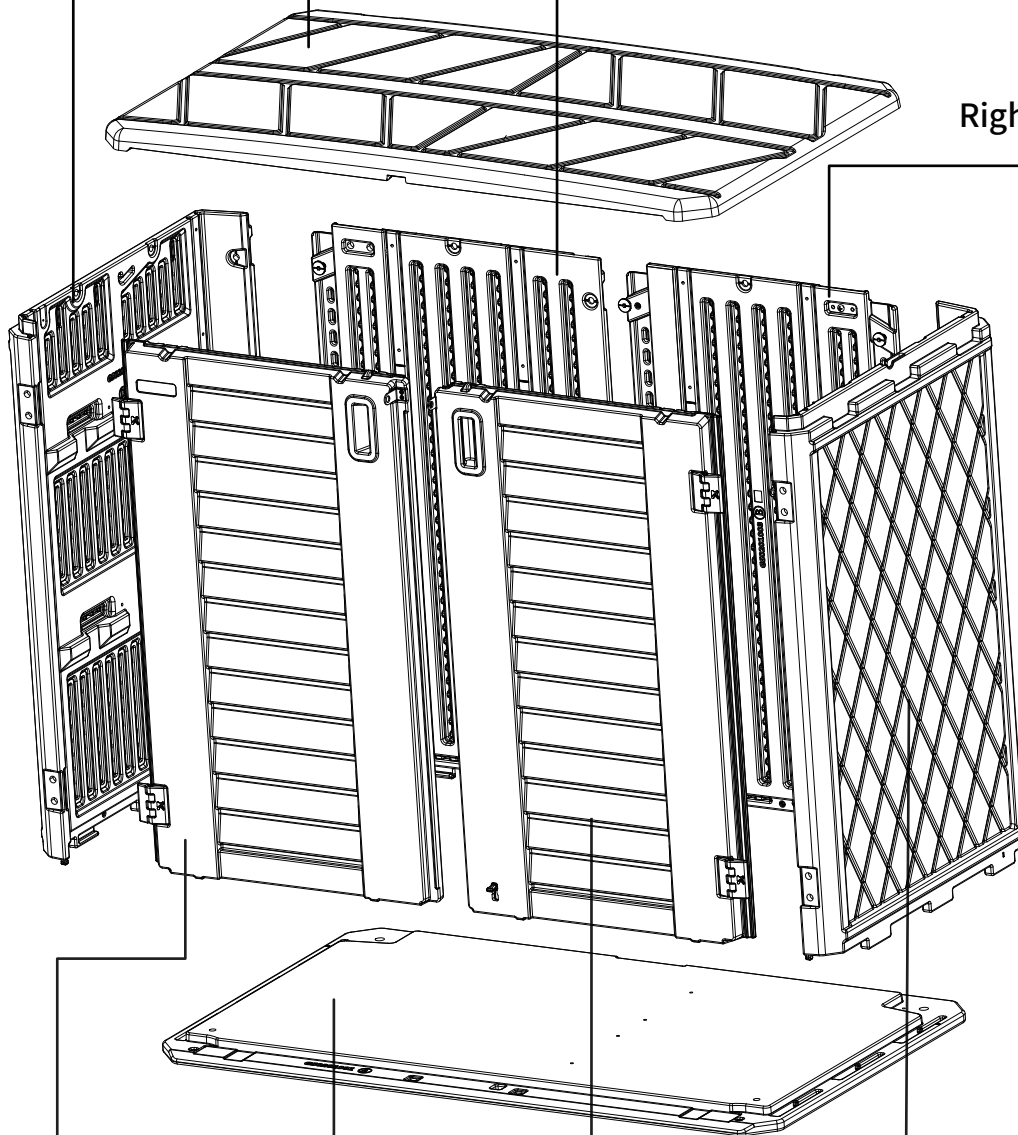
If the environment permits, install the storage shed in a cool place, as prolonged exposure to direct sunlight may deform the panel and accelerate aging.

LIST INSTALLATION OVERVIEW



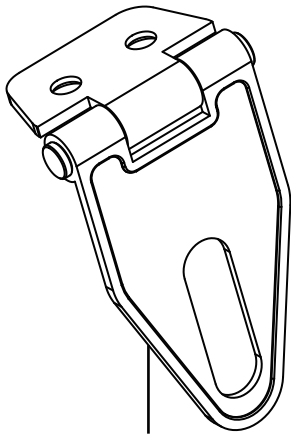
Left Side Panel **D** Top Panel **H** Left Back Panel **C**

Right Back Panel **B**

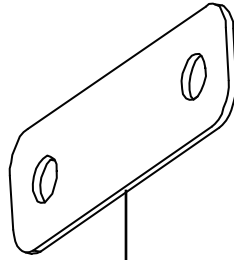


Left Door Panel **F** Bottom Panel **A** Right Door Panel **G** Right Side Panel **E**

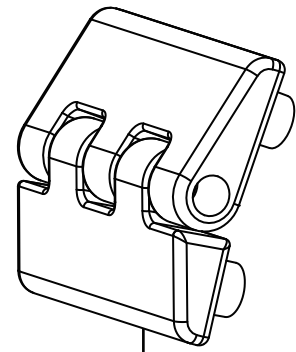
PARTS LIST



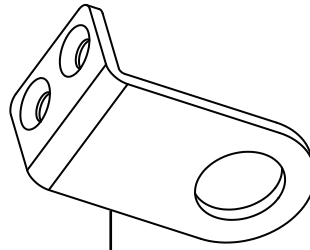
Shaped Hinge
L1
1pc



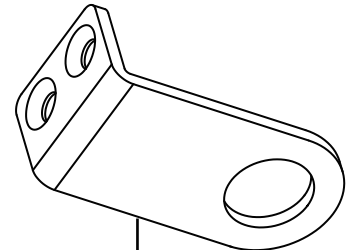
Reinforcing Washer
G1
12pcs



Hinge
H1
6pcs

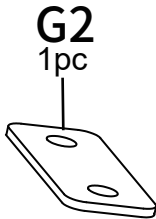


Right door L lock piece
L4
1pc

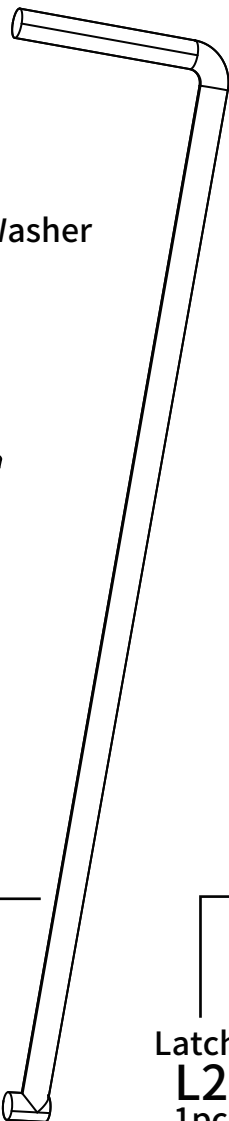


Left door L lock piece
L5
1pc

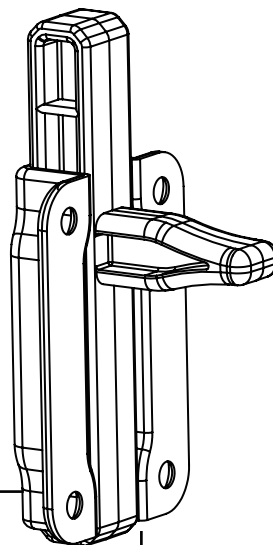
Supporting Bar Washer



G2
1pc

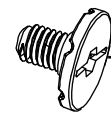


Supporting Bar
S5
1pc

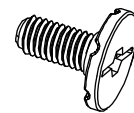


Latch 1
L2
1pc

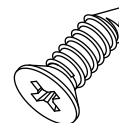
Latch 2
L3
1pc



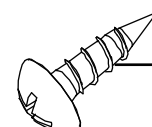
Plastic Screw
S1
M9.5X18.5X3pcs



Plastic Screw
S2
M9.5X25.5X6pcs



Self-Tapping
Screw
S3
M4X10X12pcs



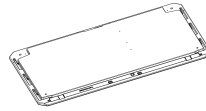
Self-Tapping
Screw
S4
M5.5X19X24pcs

Installation procedure

1 Install the back panel

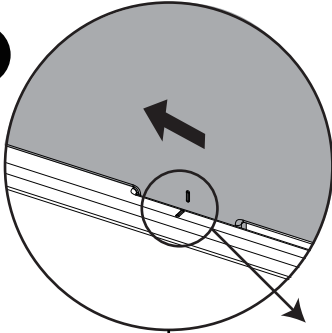


B



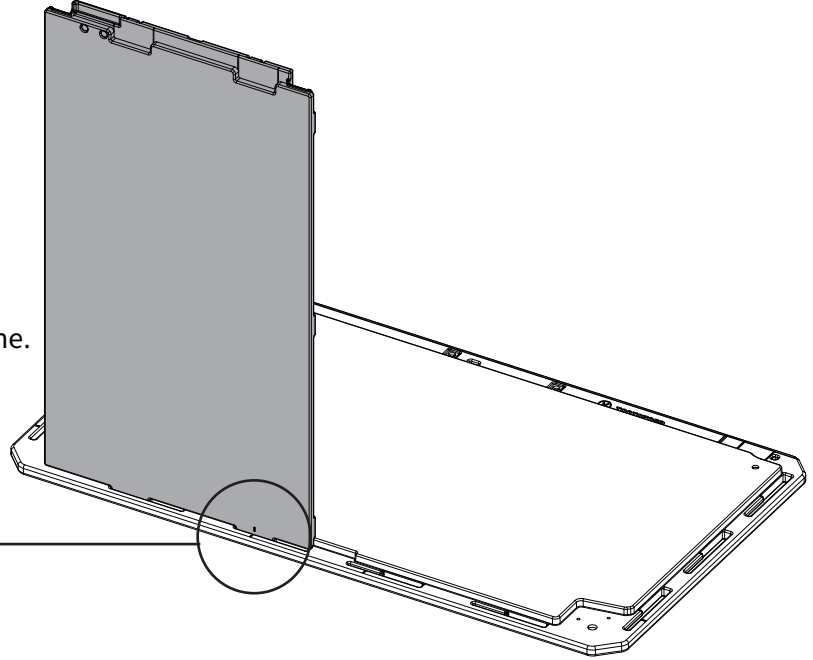
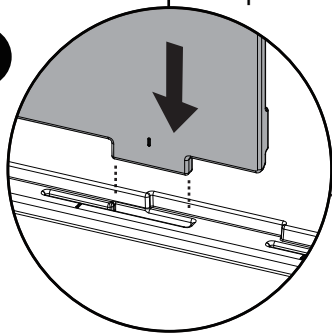
A

2



Align at point, position and line.

1

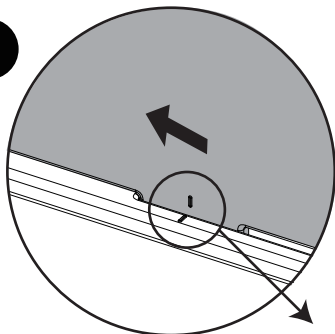


2 Install the back panel



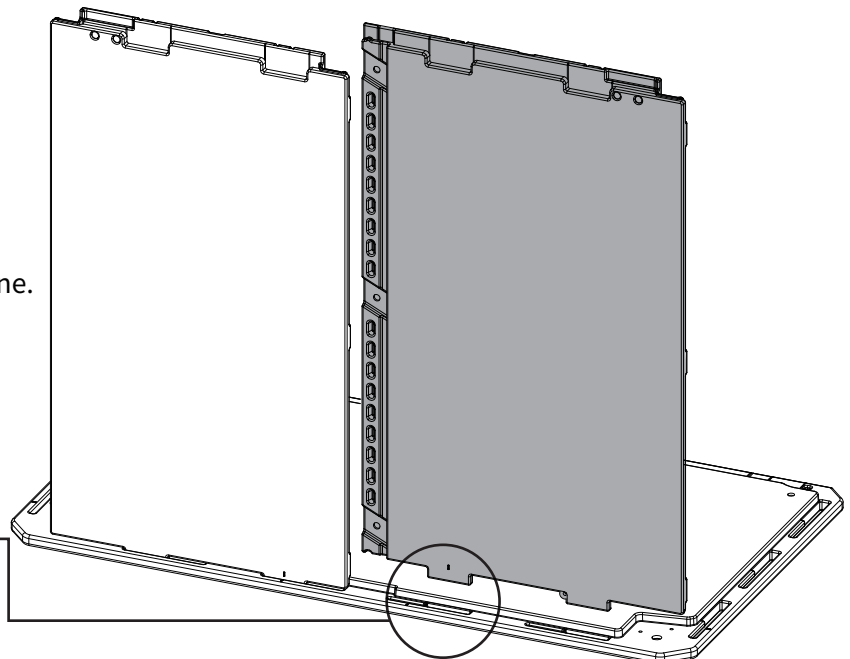
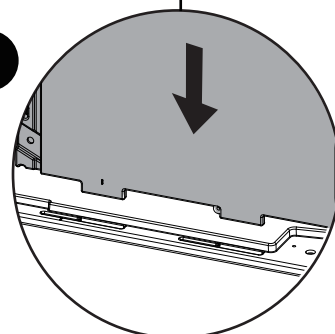
C

2

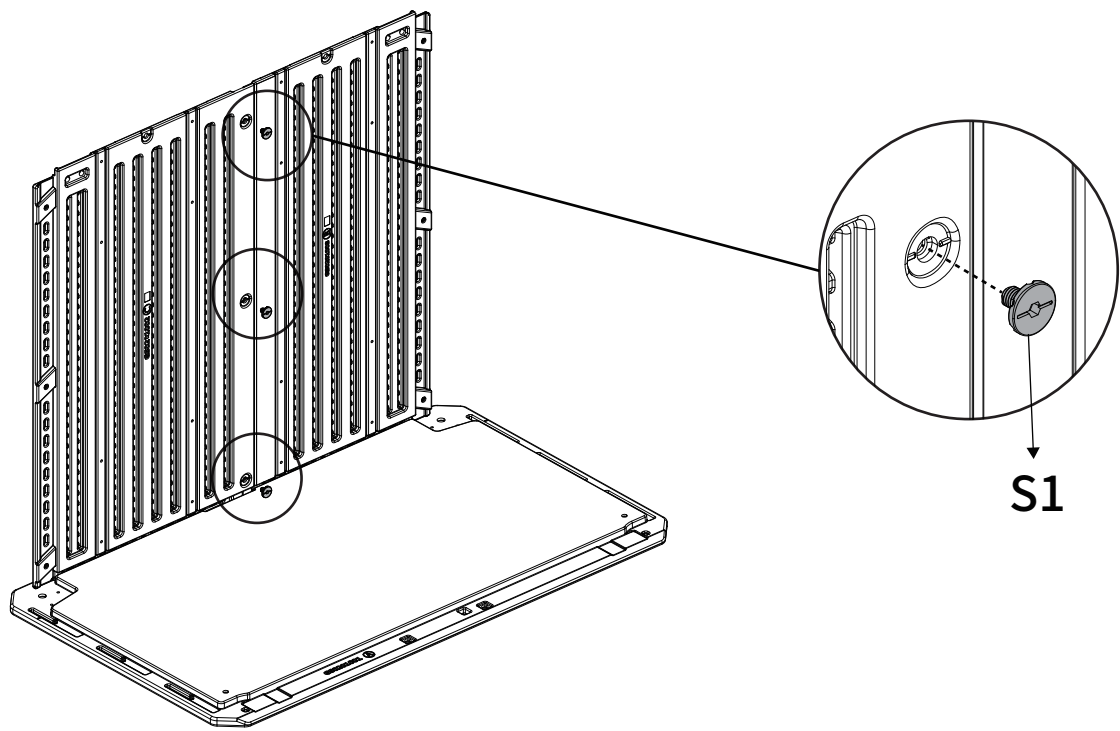
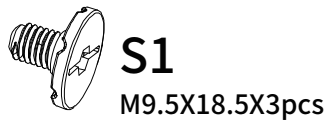


Align at point, position and line.

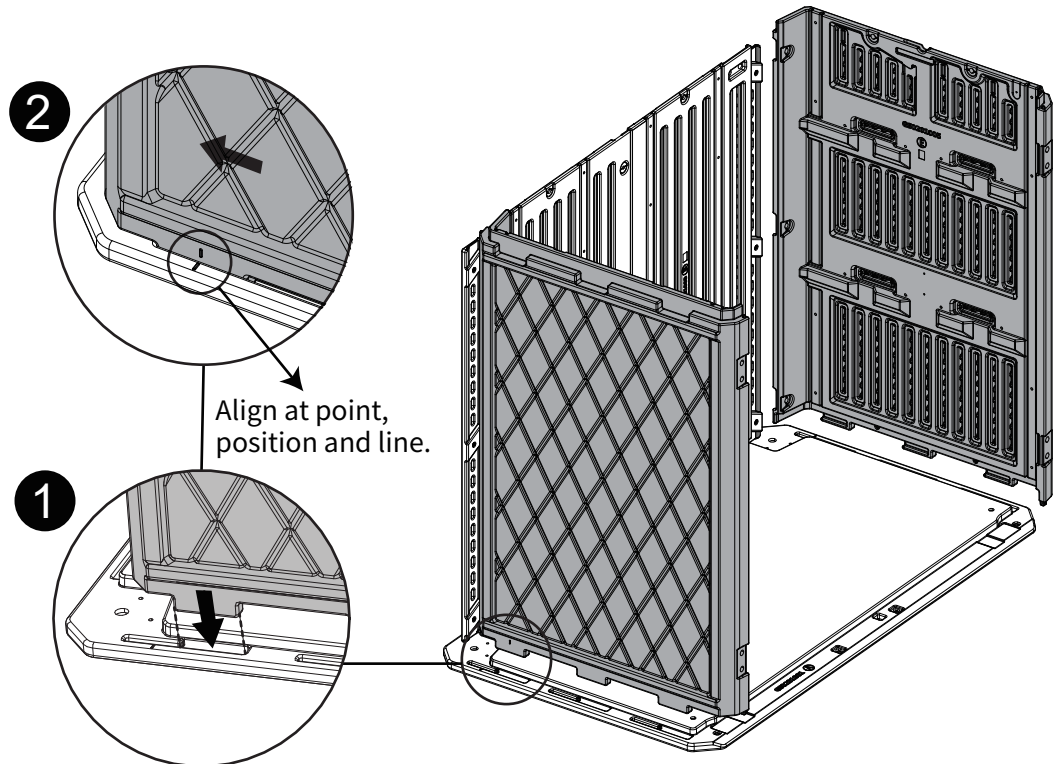
1



3 Install screws to the back panel

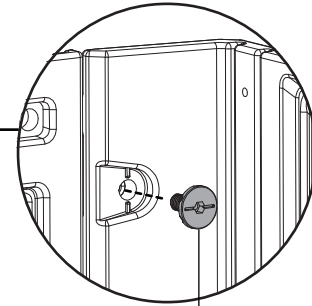
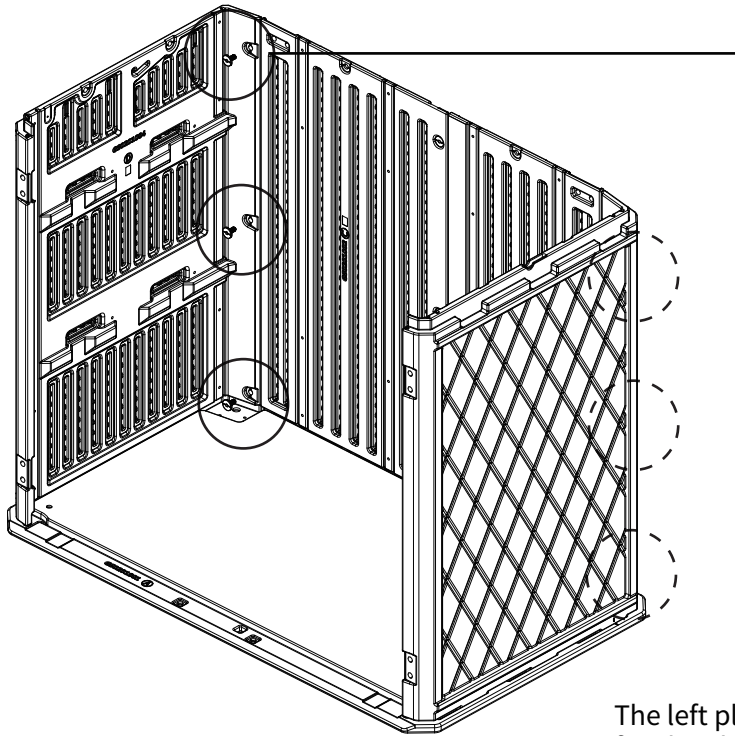


4 Install the side panels.



The installation method of left and right side panels is consistent.

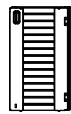
5 Install screws to the side panels.



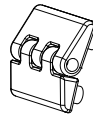
S2

The left plate and the right plate are fixed with the same mounting screws

6 Install fittings to the right door panel.



G



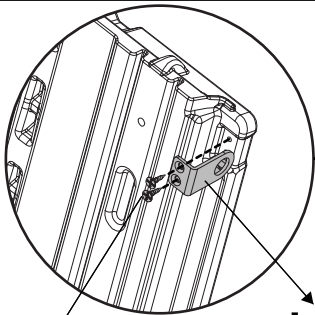
H1
2pcs



G1
2pcs

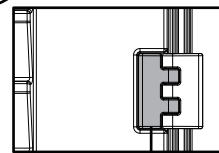
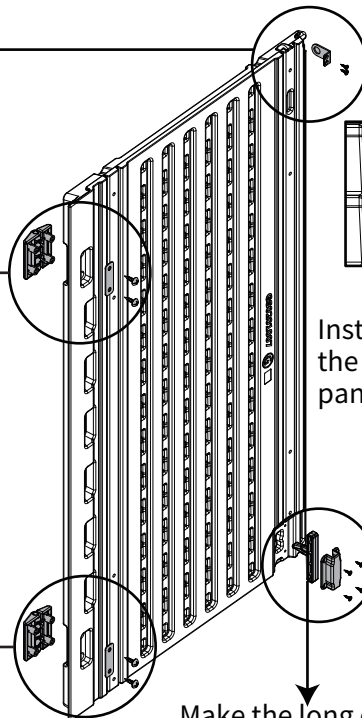


S4
M5.5X19X4pcs

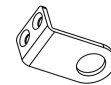


S3

L4



Install the thin end of the hinge to the door panel.



L4
1pc

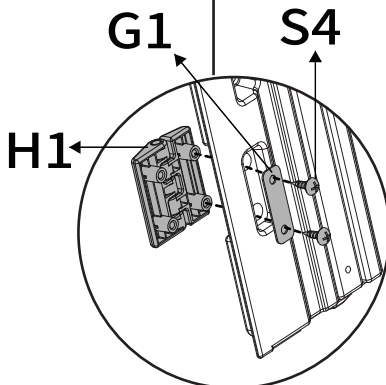


L2
1pc

L3
1pc



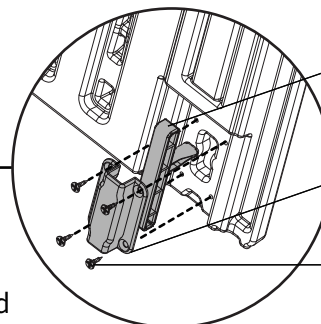
S3
M4X10X6pcs



H1

G1

S4



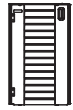
L3

L2

S3

Make the long end of the Latch 2 face downwards.

7 Install fittings to the left door panel.



F



H1
2pcs



G1
2pcs



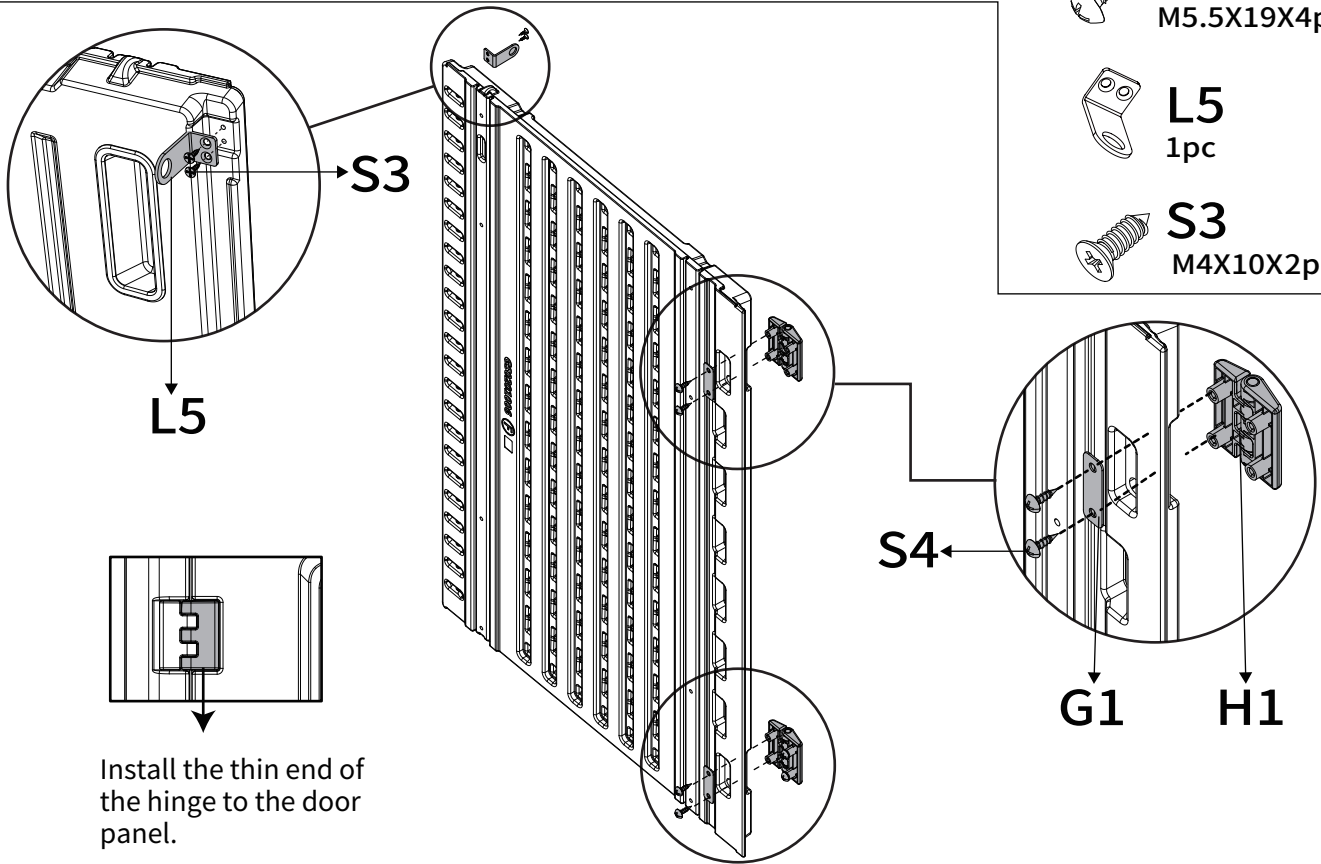
S4
M5.5X19X4pcs



L5
1pc



S3
M4X10X2pcs



Install the thin end of the hinge to the door panel.

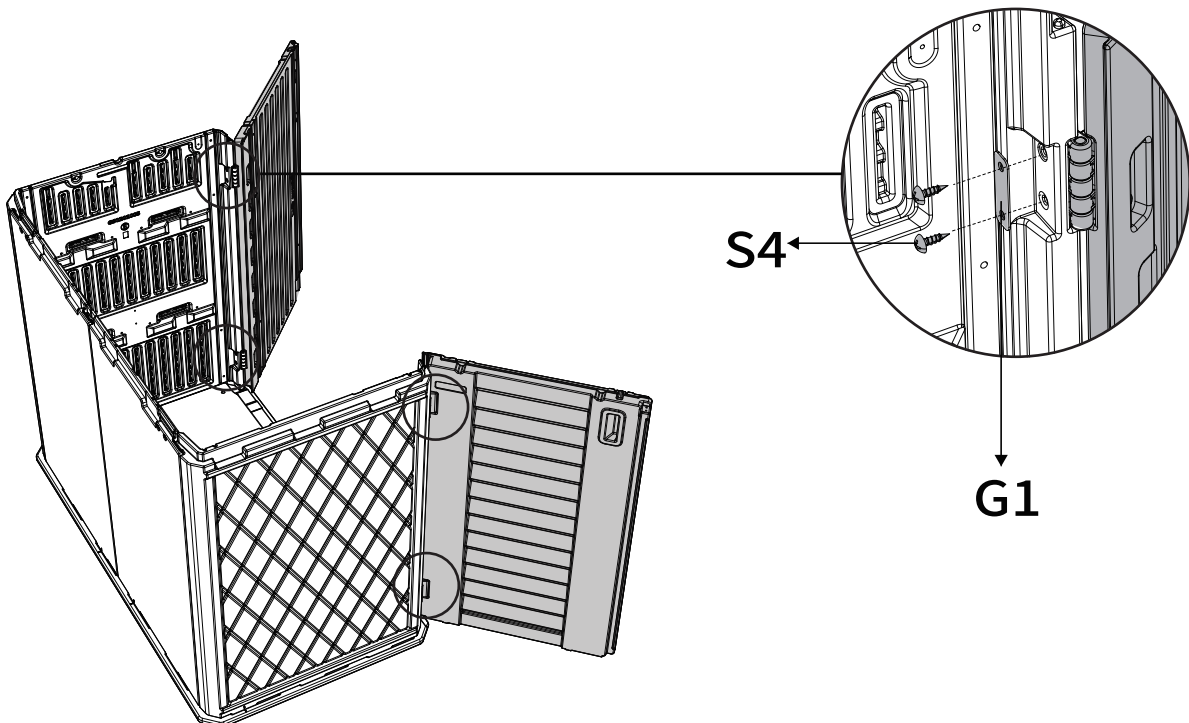
8 Fix the door panels.



S4
M5.5X19X8pcs



G1
4pcs



9

Install fittings to the top panel.



H

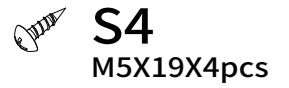
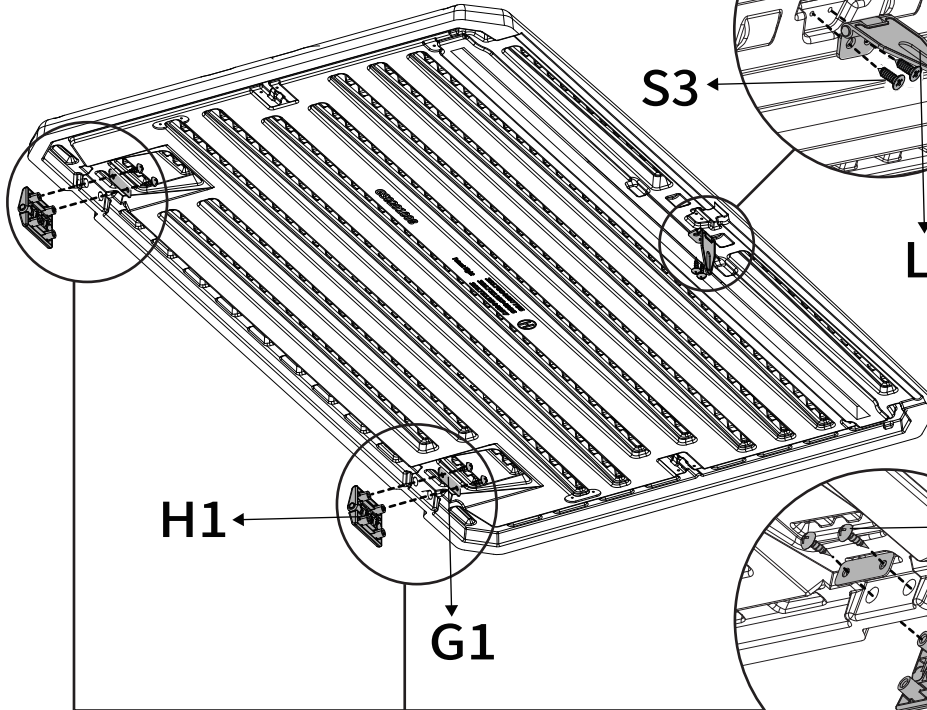


H1
2pcs



G1
2pcs

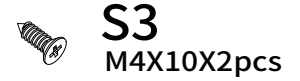
The installation direction of L Folding lock piece, can rotate 180 degrees after installation



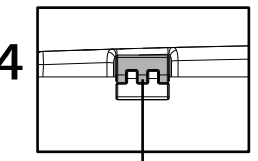
S4
M5X19X4pcs



L1
1pc



S3
M4X10X2pcs



Install the thin end of the hinge to the door panel.

10

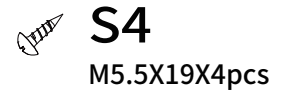
Install the top panel.



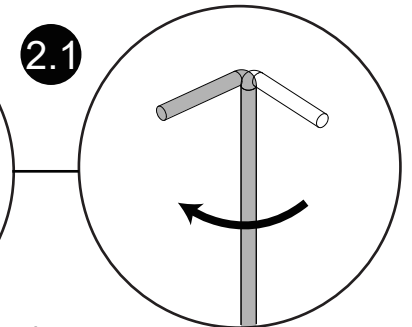
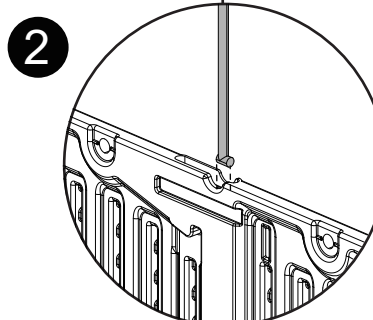
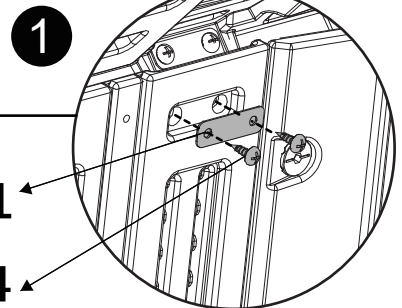
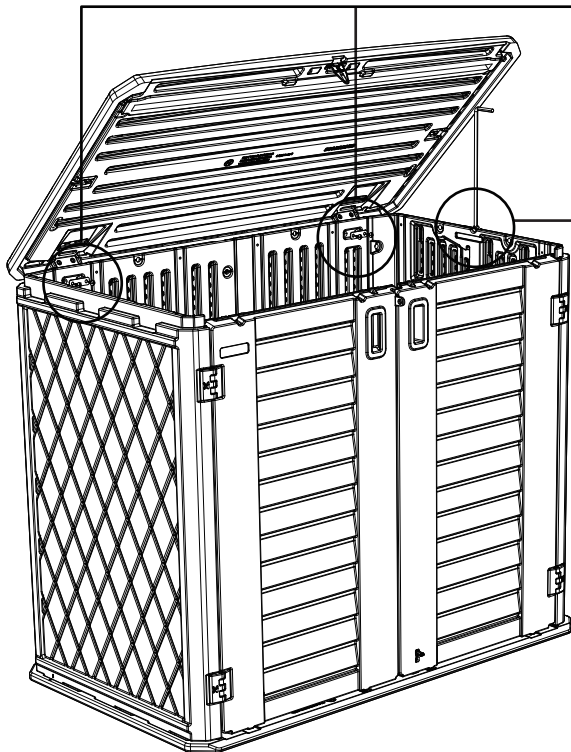
S5
1pc



G1
2pcs



S4
M5.5X19X4pcs



Rotate the supporting bar clockwise by 90°. Be careful not to fall it into the right side panel.

11

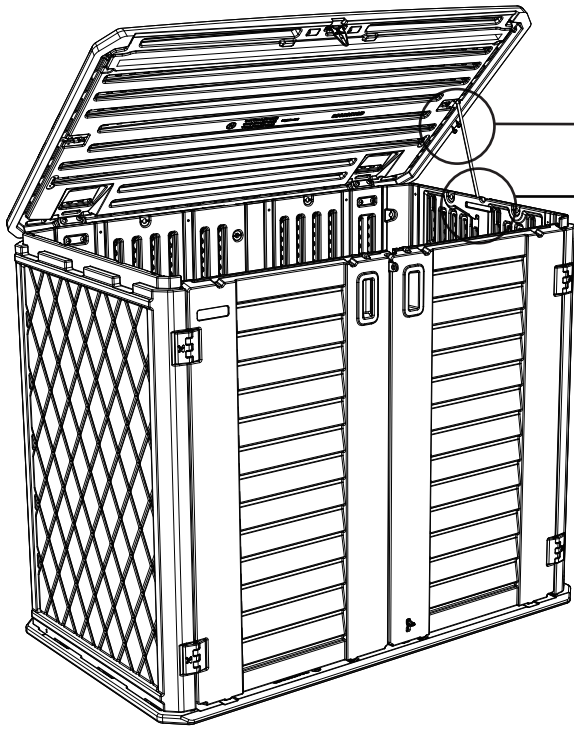
Support rod fixation



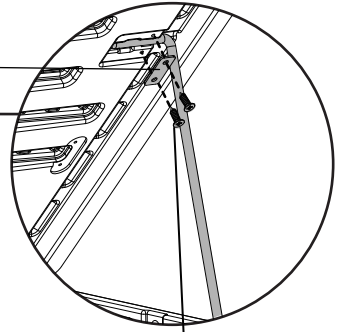
S3
M4X10X2PCS



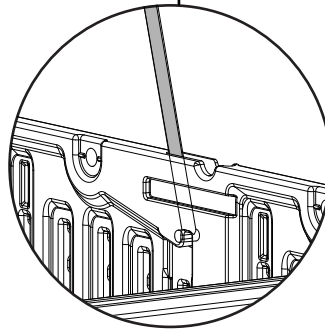
G2
1pc



G2



S3



The support rod holds the side plate in place

👍 Congratulations! you did it!! Awesome!!!