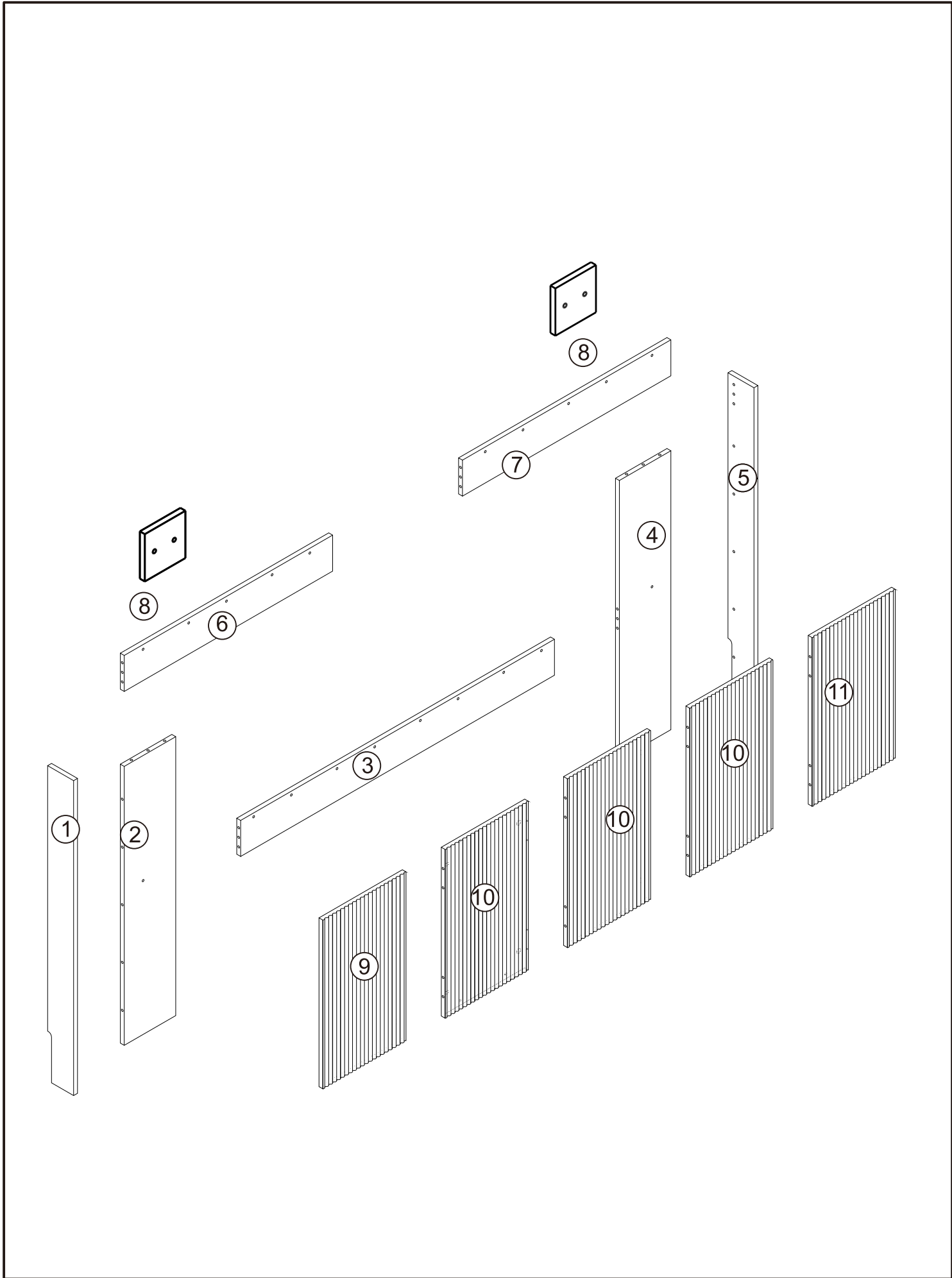
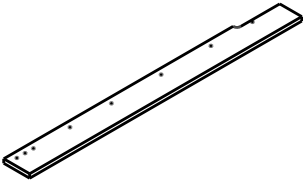
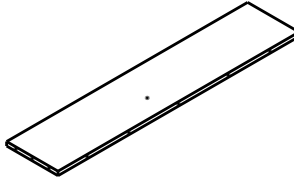
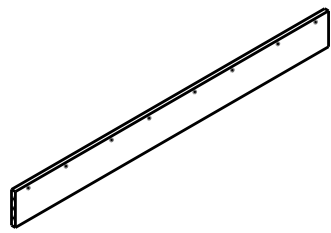
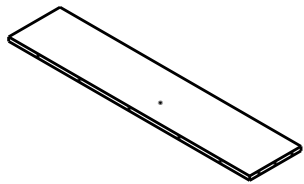
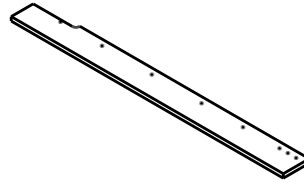
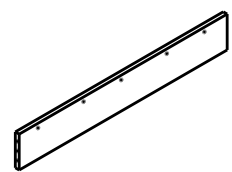
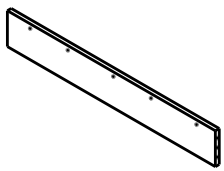
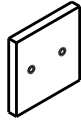
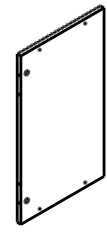
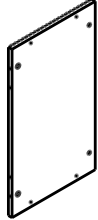
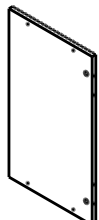


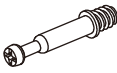


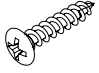
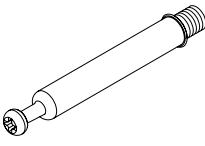


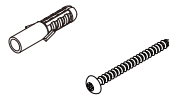
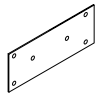
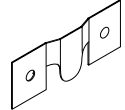


Installation instruction



Parts and Operation Elements

					
①	1pc	②	1pc	③	1pc
					
④	1pc	⑤	1pc	⑥	1pc
					
⑦	1pc	⑧	2pcs	⑨	1pc
					
⑩	3pcs	⑪	1pc		

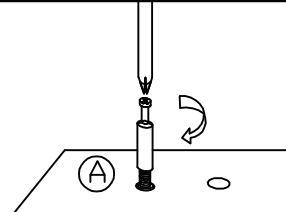
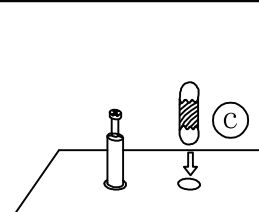
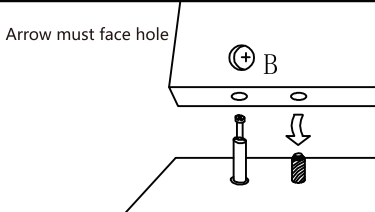
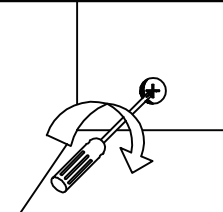
Hardware

			
A 8+1pcs	B 24+2pcs	C 23+2pcs	D 27+2pcs
			
E 16pcs+1	F 22+2pcs	G 16+1pcs	H 4pcs
			
I 3pcs	J 4pcs	K 3pcs	L 4 pcs

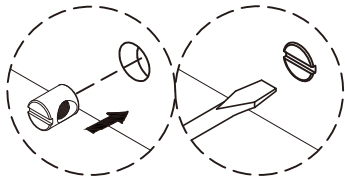


SPARE BAG

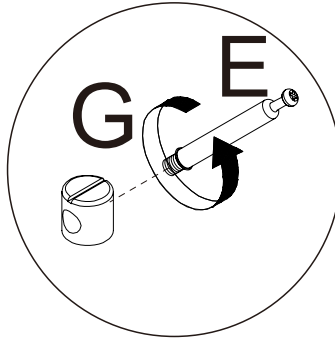
THE SPARE BAG INCLUDED EXTRA HARDWARE FOR DAMAGED OR MISSING SMALL HARDWARE WHILE YOU ARE ASSEMBLING

			
Gently screw cam bolt into the threaded anchor.	Insert the wood dowel halfway into hole.	Arrow must face hole	Screw the camlock firmly into locked position.

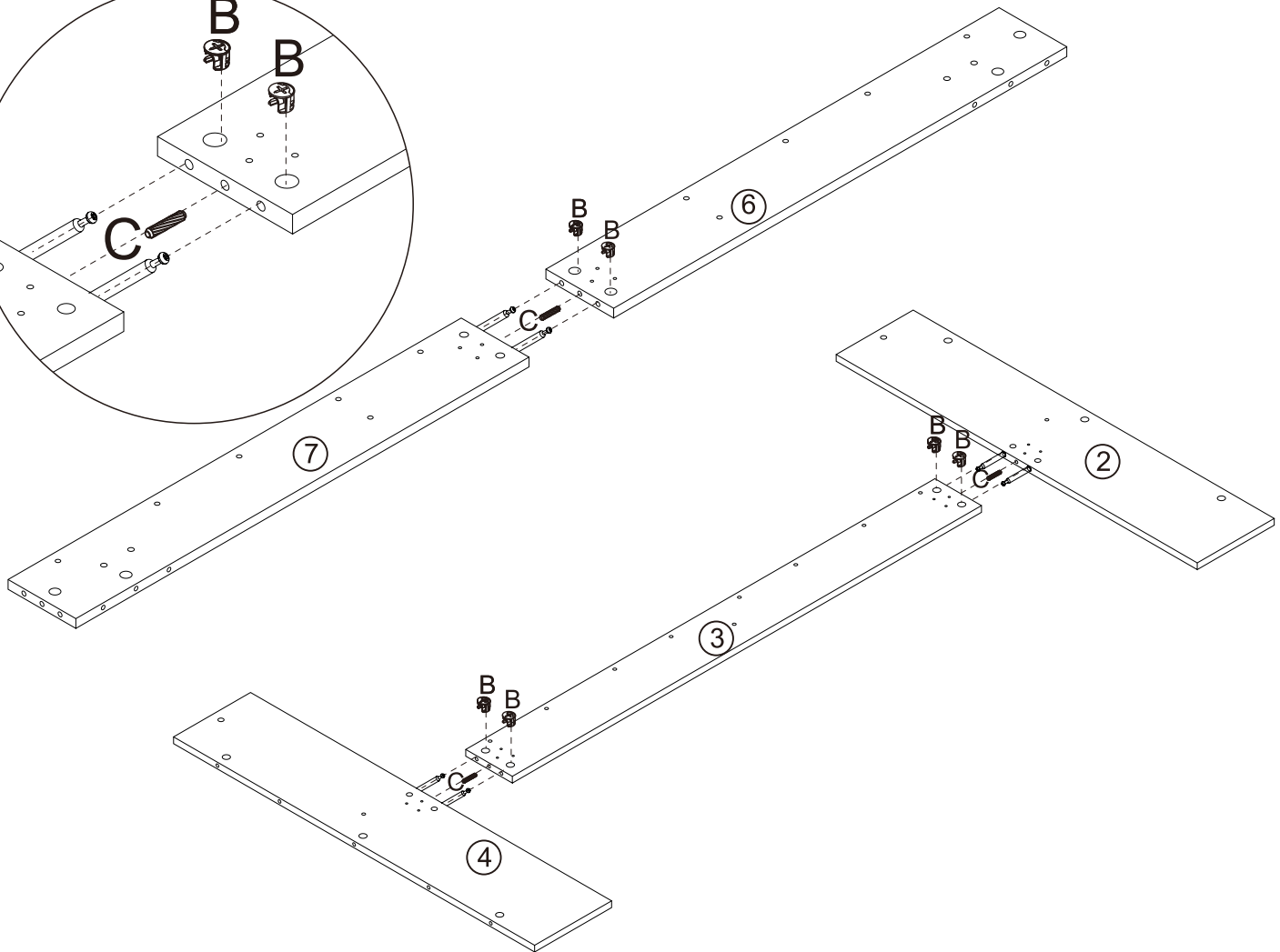
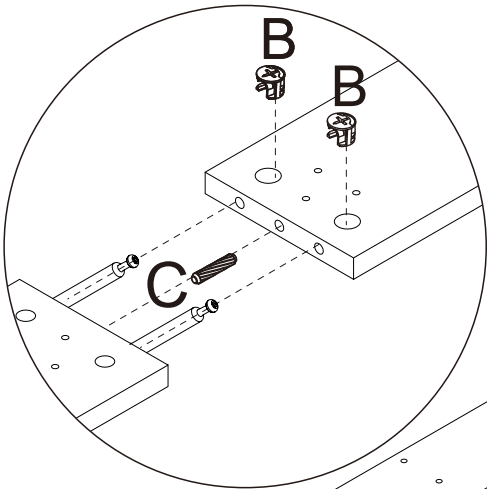
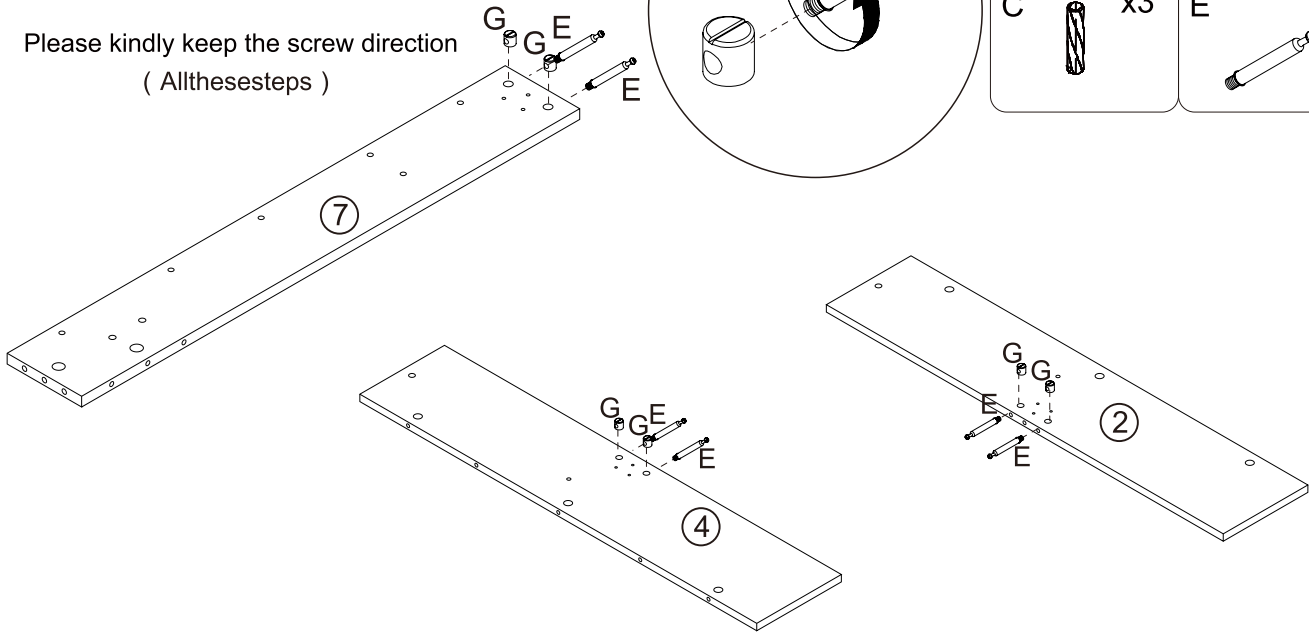
1



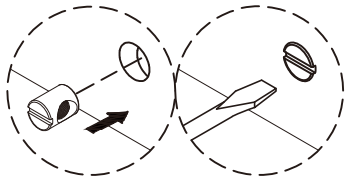
Please kindly keep the screw direction
(Allthesesteps)



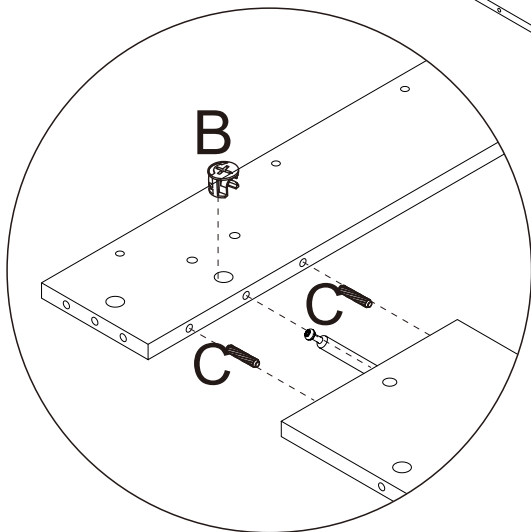
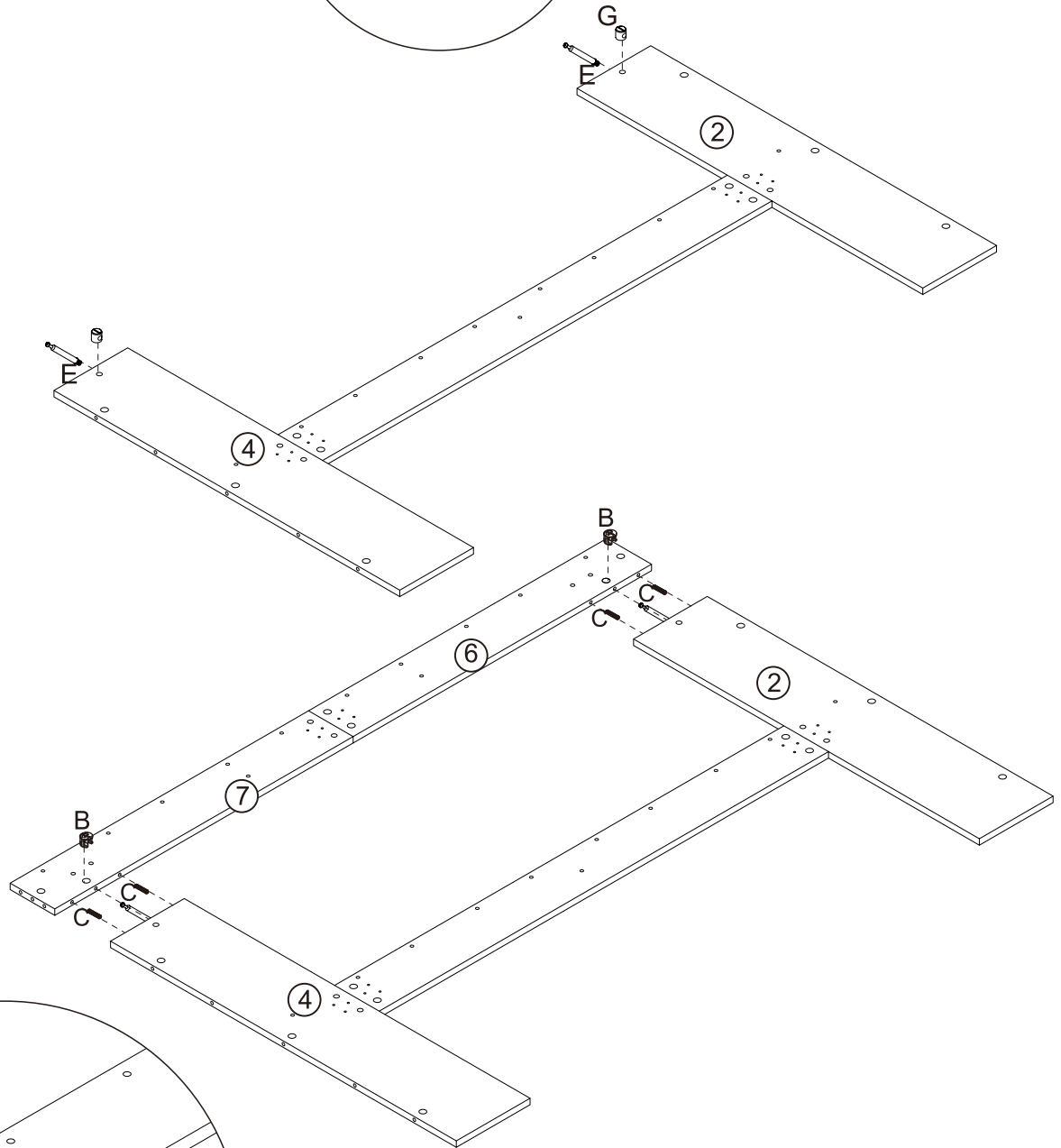
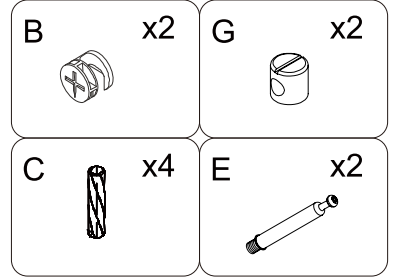
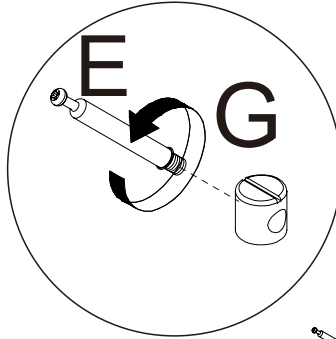
B	x6	G	x6
C	x3	E	x6



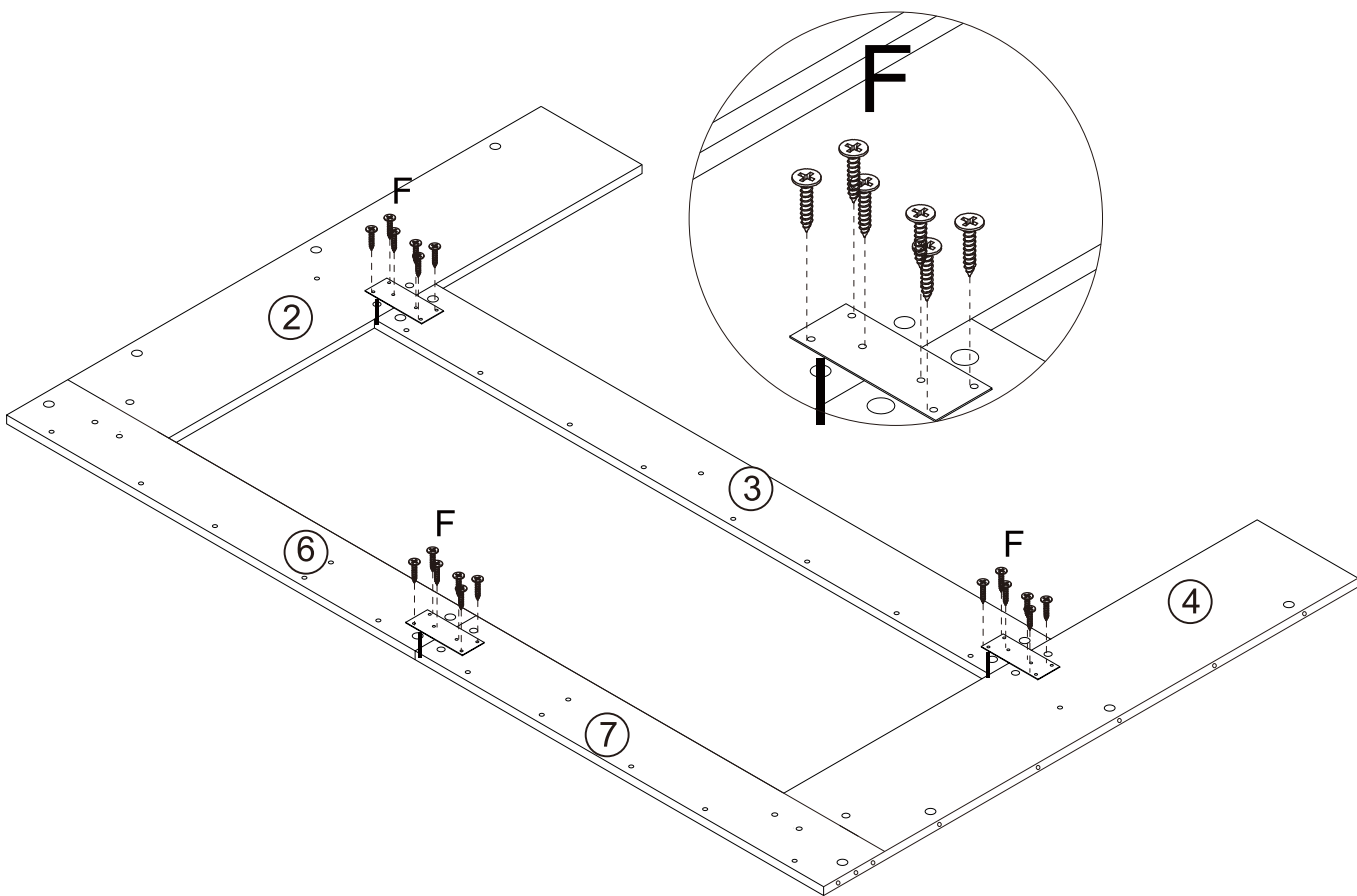
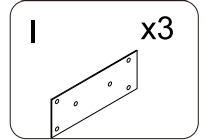
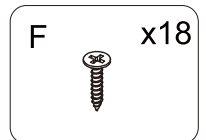
2



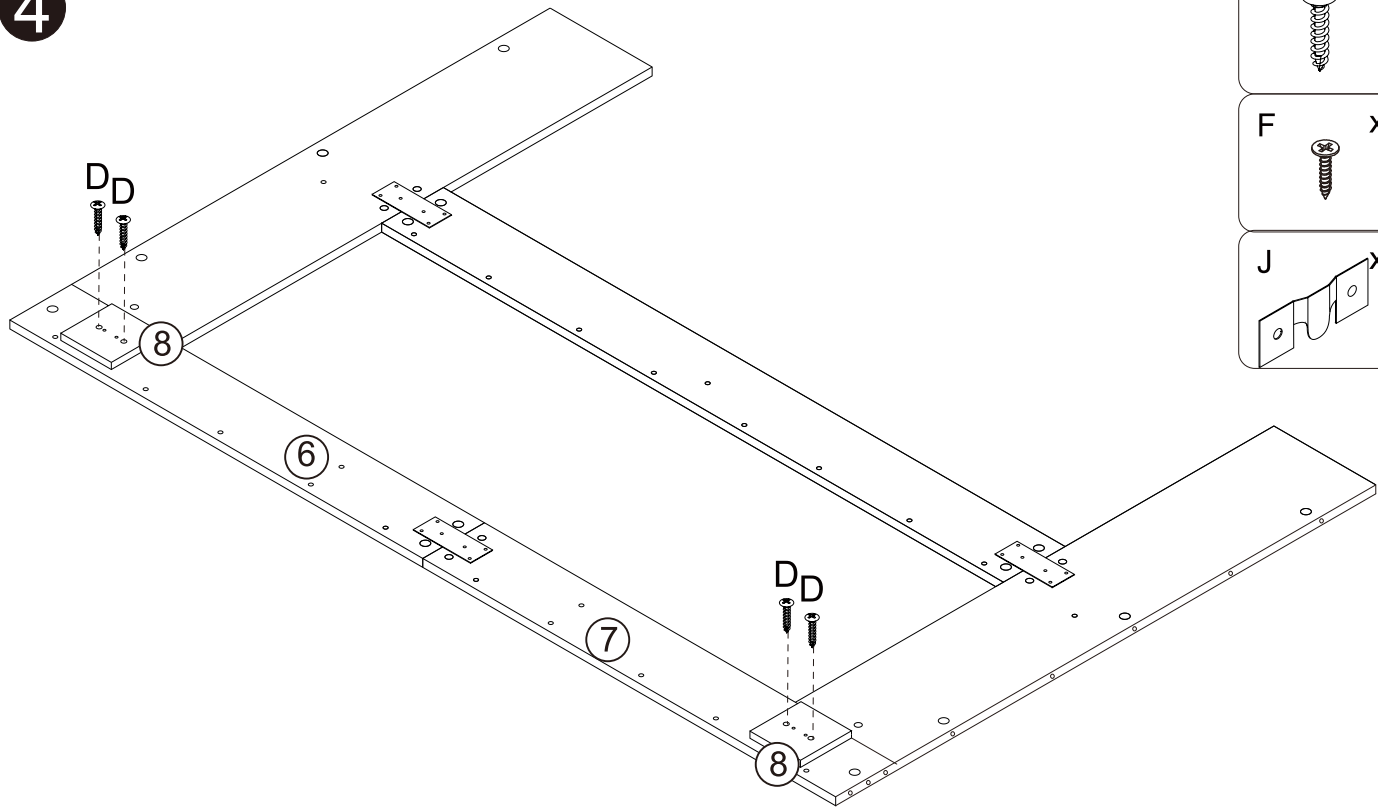
Please kindly keep the screw direction
(Allthesesteps)



3



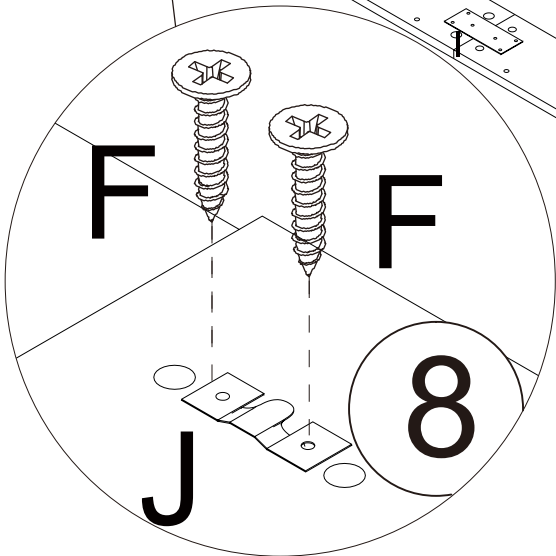
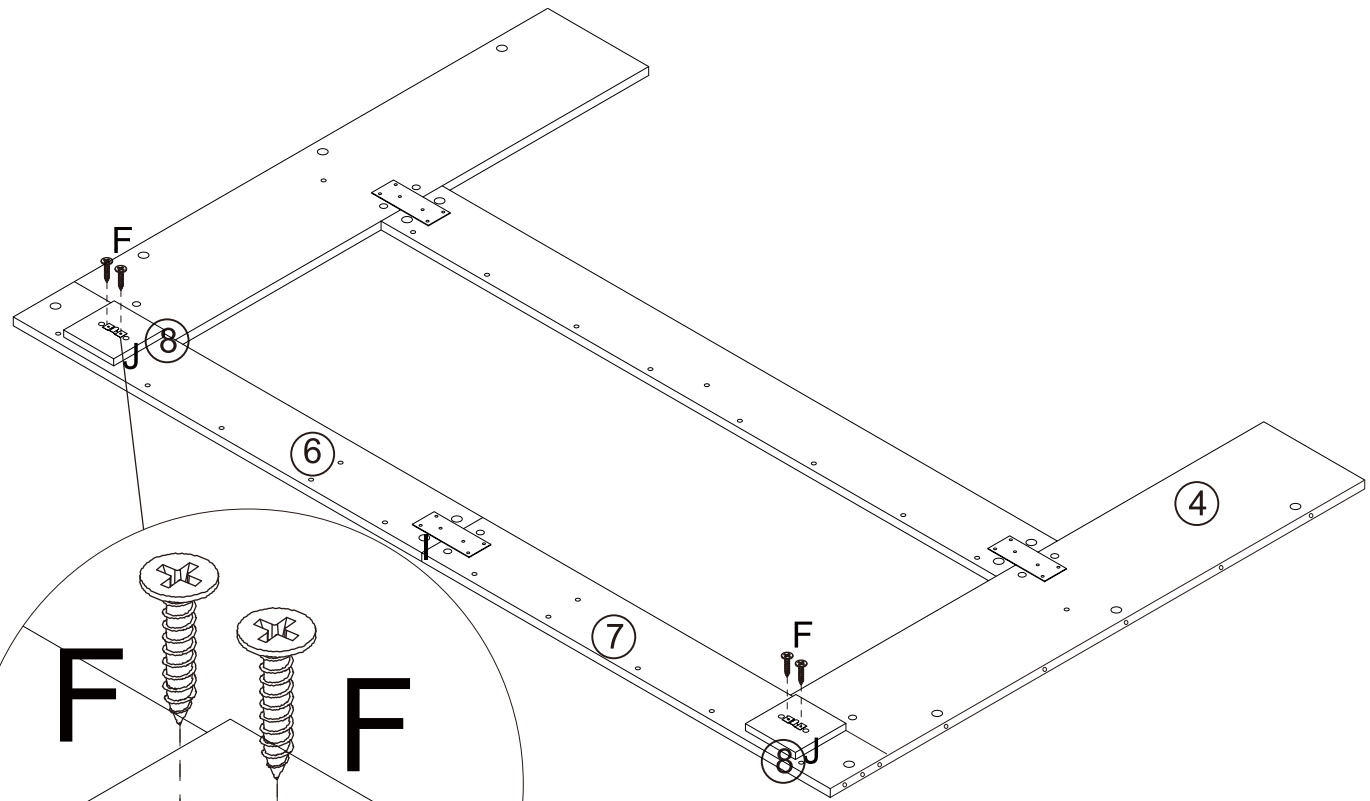
4



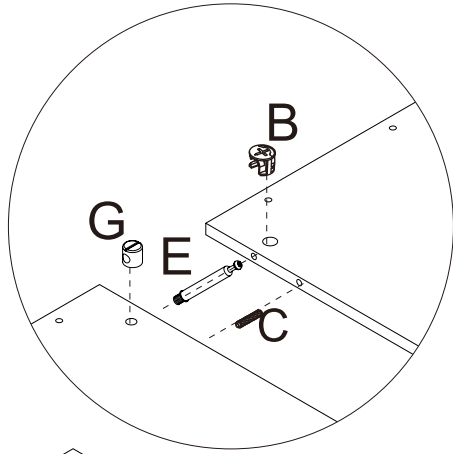
D x4

F x4

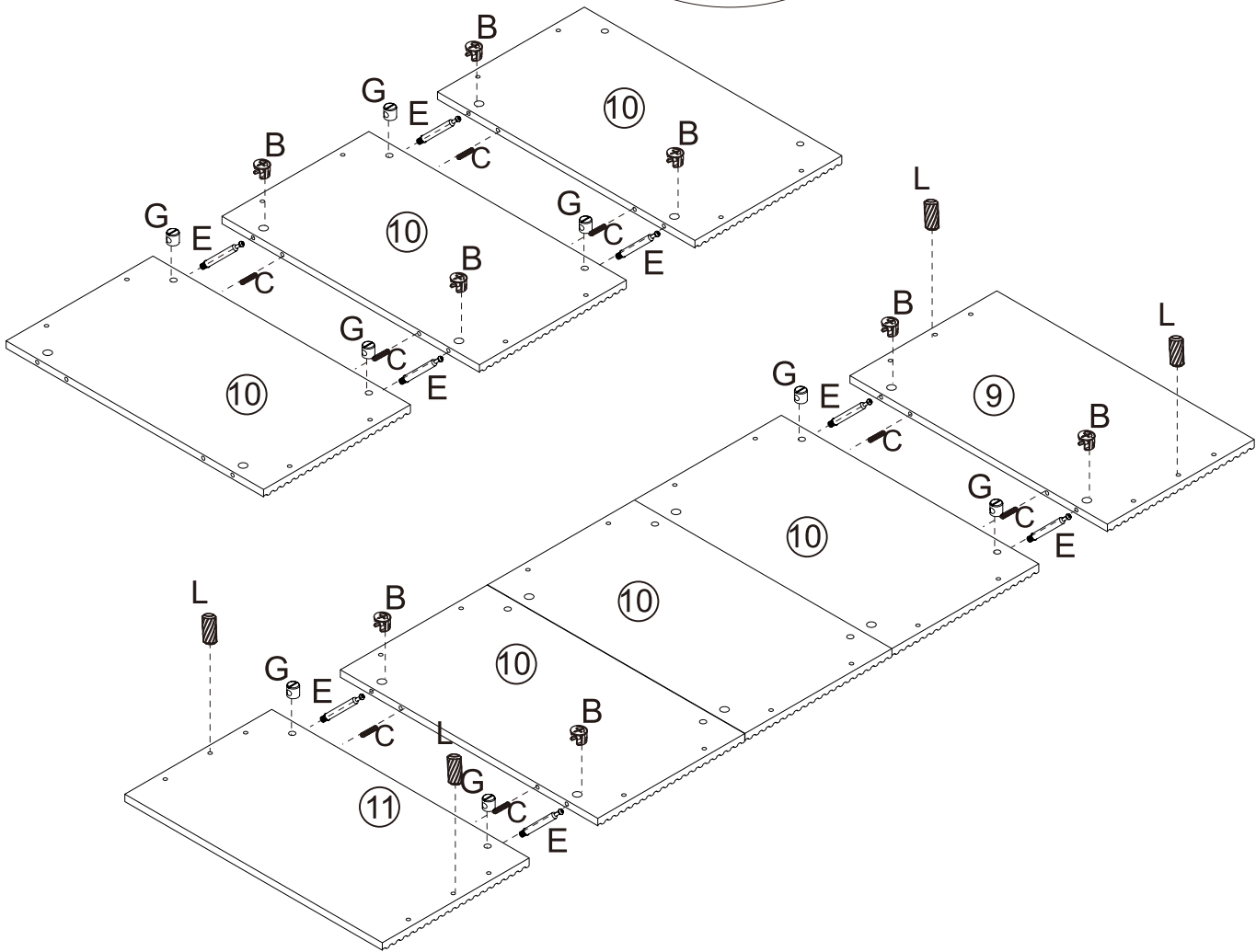
J x2




5

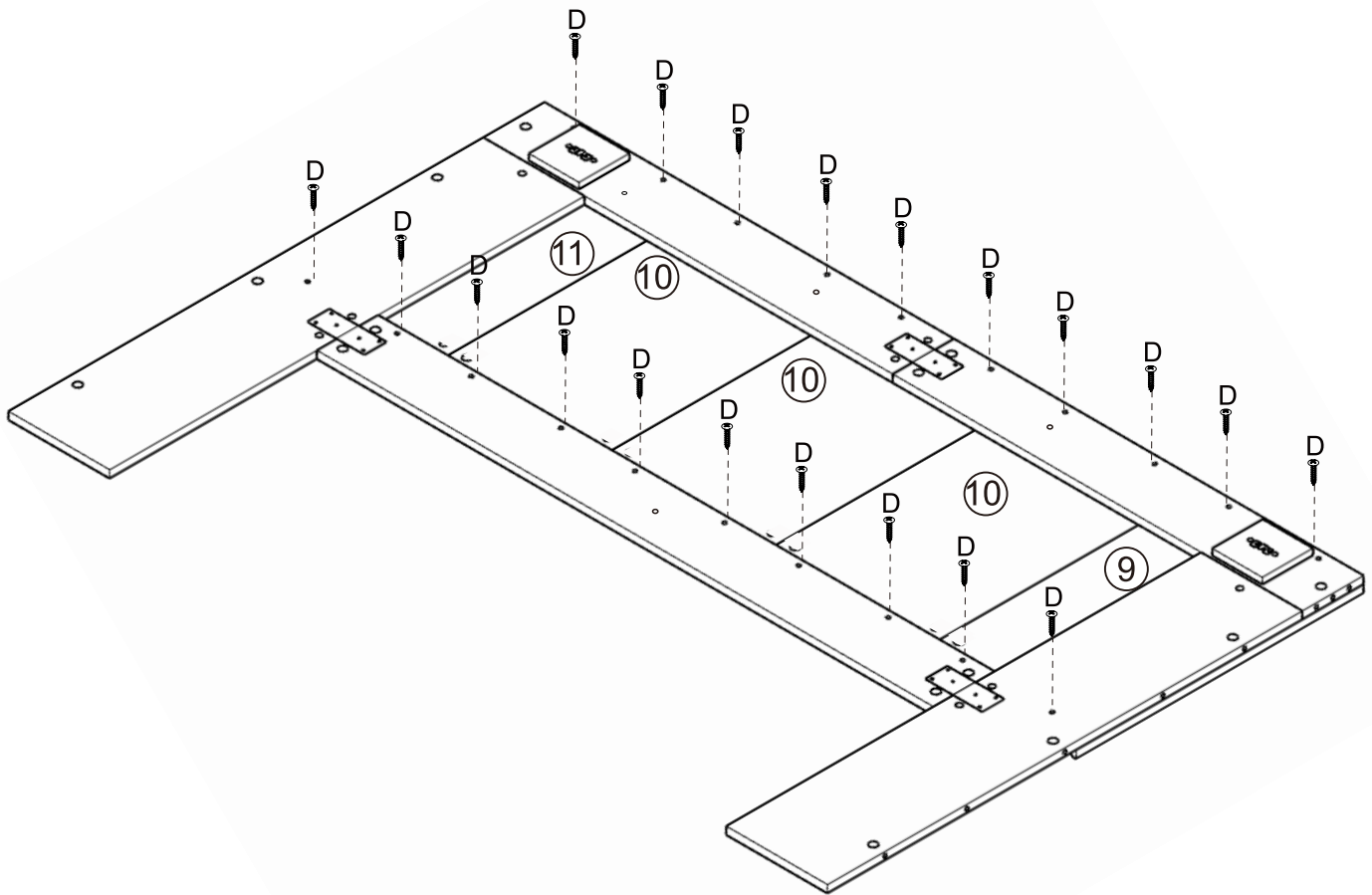
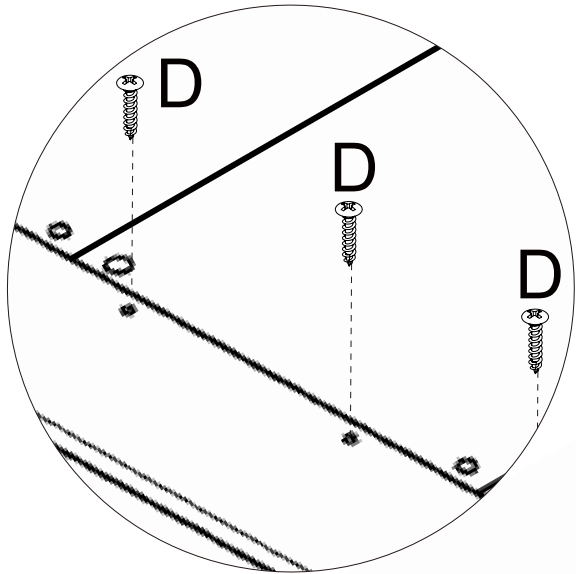


- | | | | |
|---|----|---|----|
| B | x8 | G | x8 |
| C | x8 | E | x8 |
| L | x4 | | |

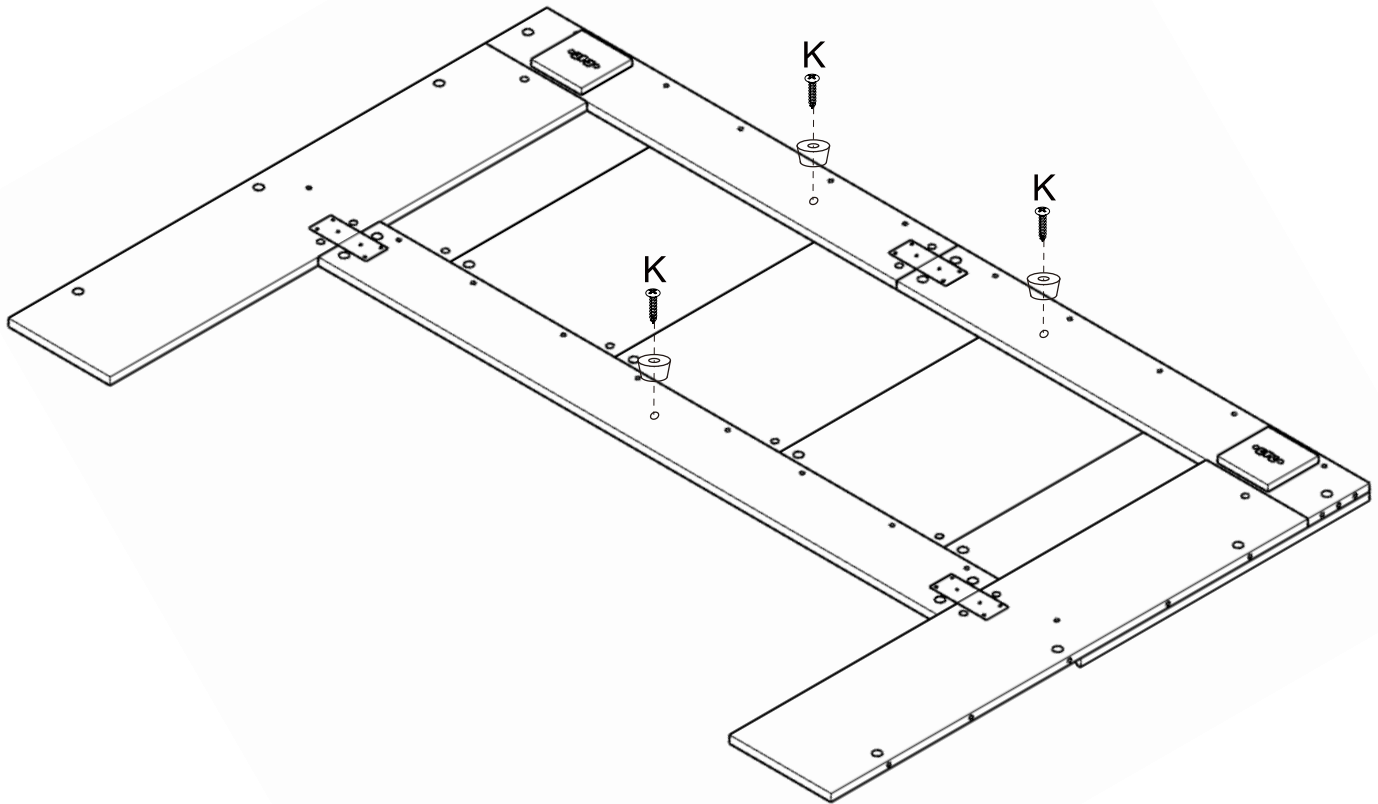
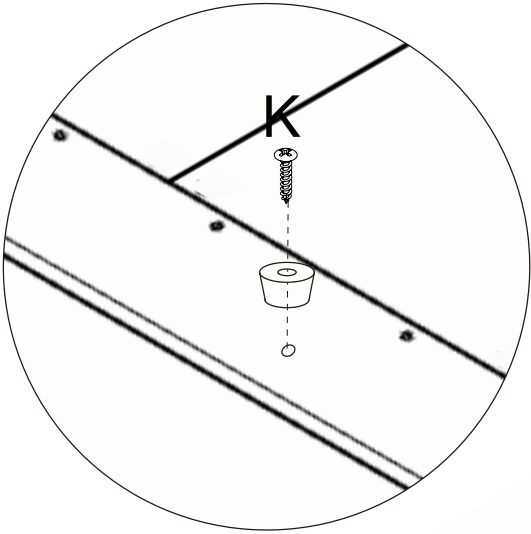
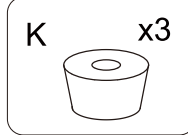
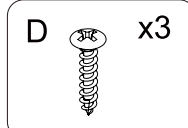


6




D  x20

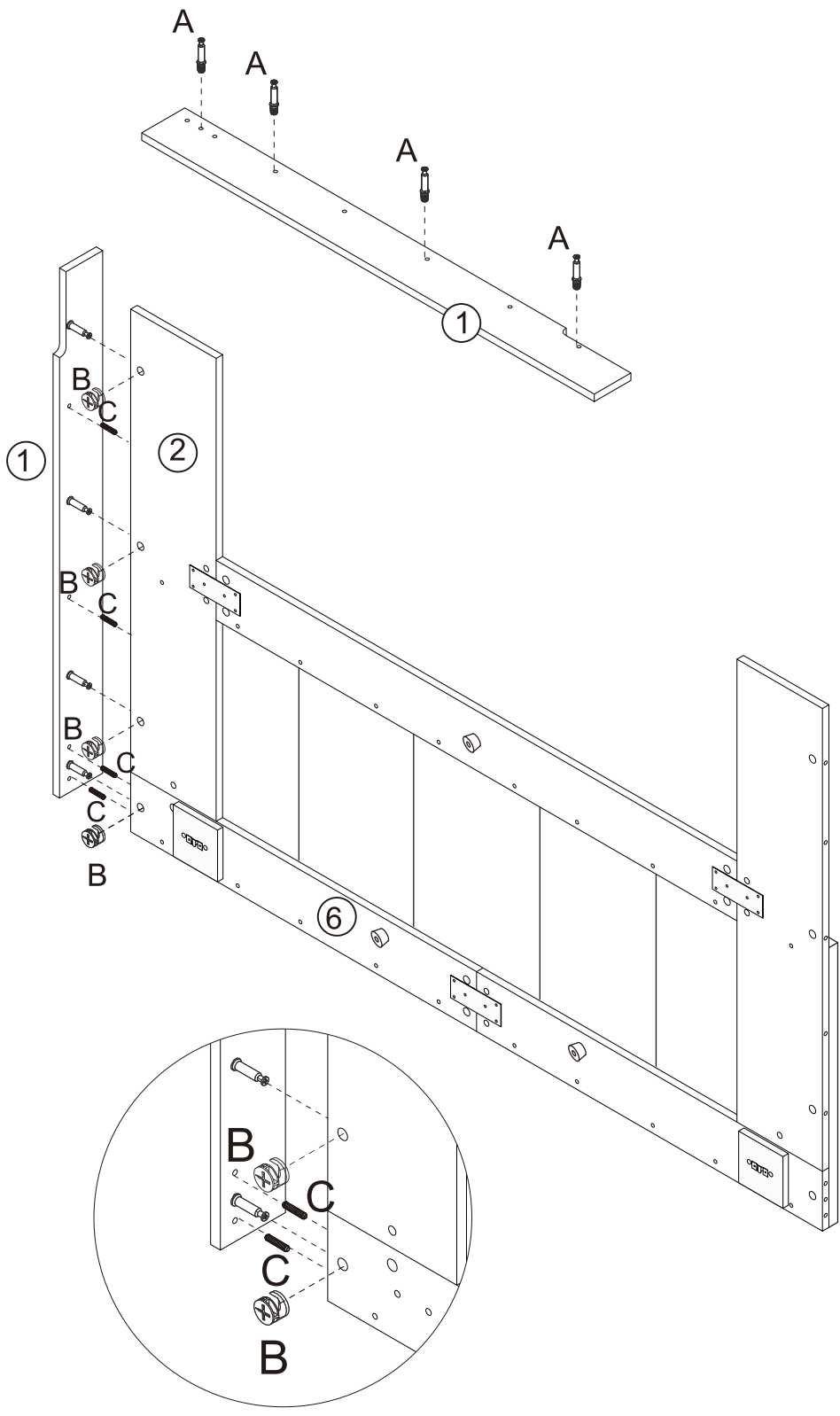


7



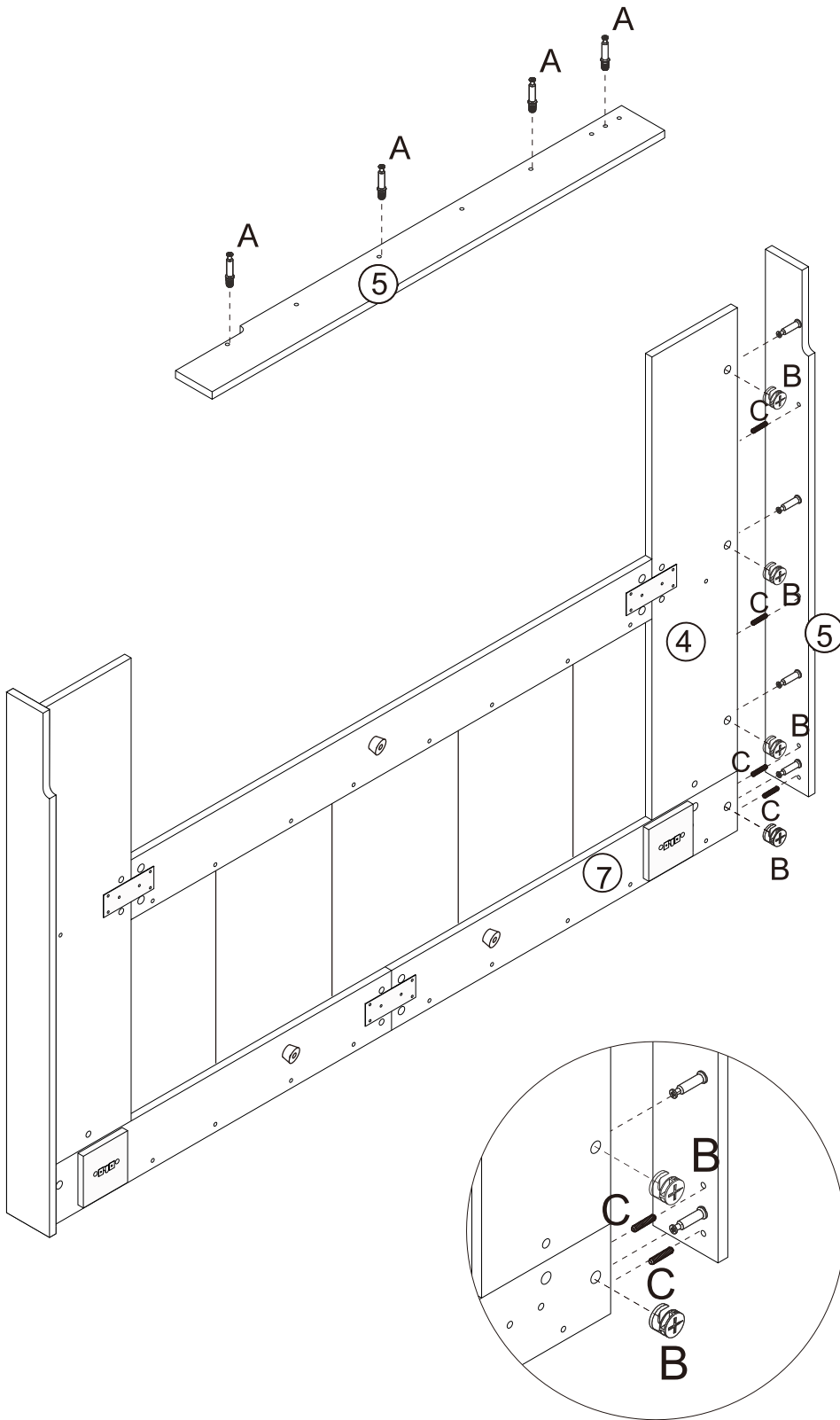
8

- A x4 
- B x4 
- C x4 

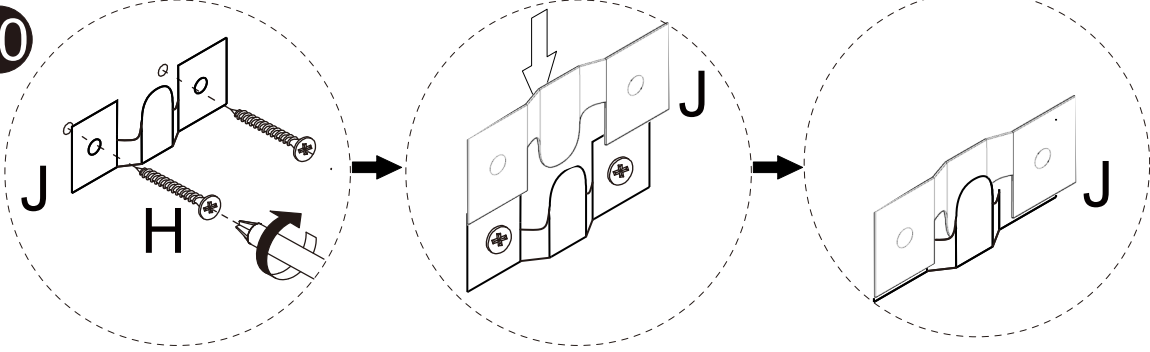


9

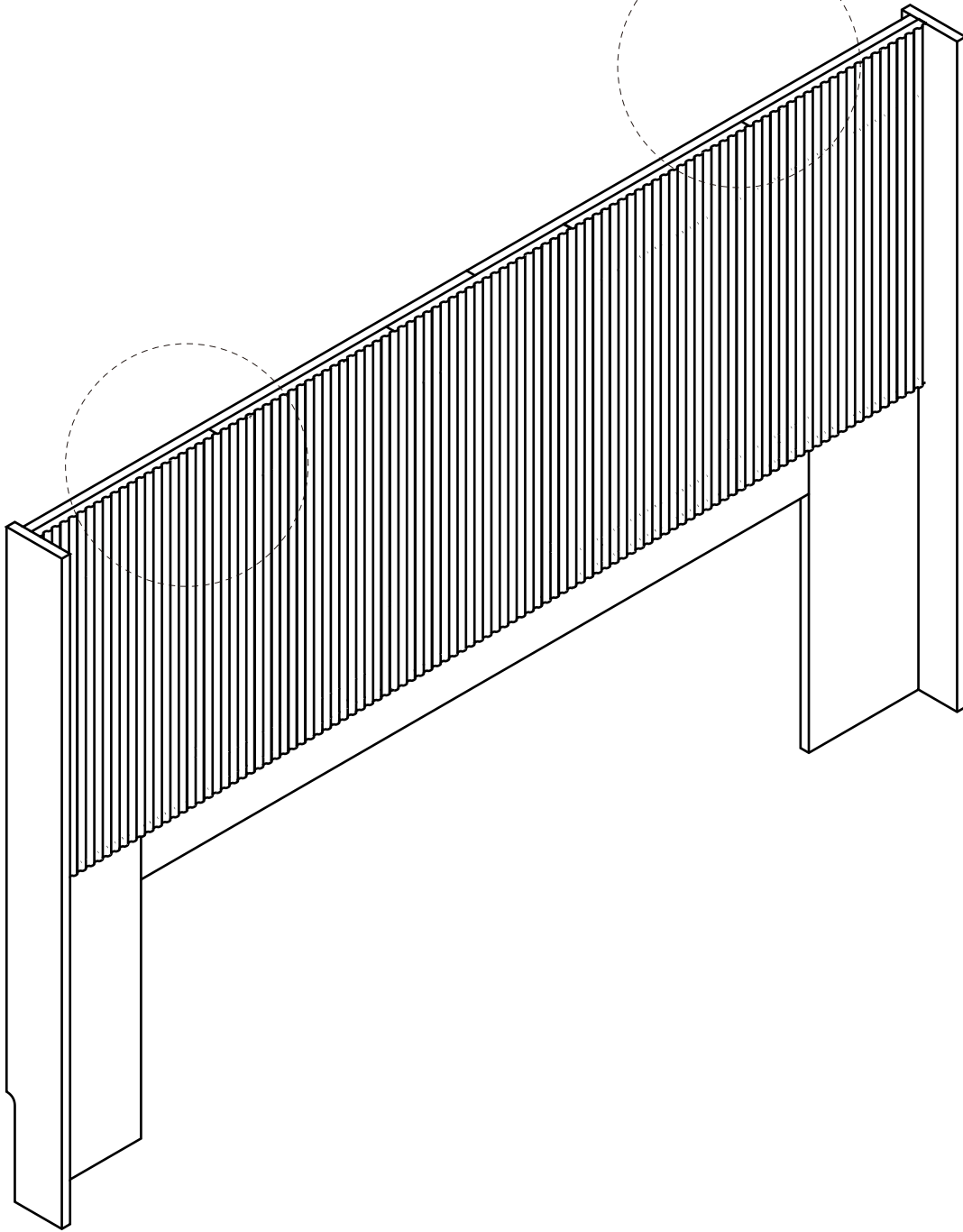
- A x4
- B x4
- C x4



10



- H x4
- J x2



- 1.
- 2.
- 3.
- 4.