

ASSEMBLY INSTRUCTIONS

NOTE: 50% TIGHTEN BEFORE FIXING ALL BOLTS

Thank you for choosing our products.

1. Return Policy



DO NOT RETURN TO THE STORE! Skip the process of returning your product and contact us directly for a replacement

If you find that parts of your order are missing or damaged, we will gladly ship any needed replacement parts free of charge.

If you have found any sort of defect, please contact our customer service department and let us know the details of your order and any issues encountered, we will try our best to provide you with a solution.











Recommendations Before Beginning Assembly

- Read instructions, cover to cover
- Have 2-4 adults on hand for assembly depending on product size
- Do not assemble directly on flooring or carpet
- Assemble on a clean non-marring surface (example: packing foam)
- Save all packaging until finished

3. Assembly Notice:

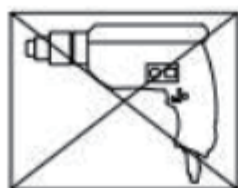
- If you encounter any problems during assembly and find that you cannot continue, rest assured we will help you solve the situation as soon as possible. Simply keep all of the parts of the product stored in a safe place and contact us immediately so we may assist you further.
- Once you have opened your package, remove all inner hardware packages and take the parts out. One by one, Place the parts out neatly in front of you, then refer to the instructions to ensure no parts are missing. If any pieces are found missing, please carefully look in the box first, as the hardware packaging might have torn making the hardware spill in the box.
- Some key parts of your product may be stored and hidden inside of other parts. Please open any zippered or hook & loop storage compartments to remove all parts. (example: cushions and legs being stored in the underside of a sofa)
- **IMPORTANT:** When setting up your product, **DO NOT INSTALL THE SCREWS ALL THE WAY IN THE BEGINNING.** Place each screw into their proper hole and use your hand to twist the screw halfway. Twist all the screws in halfway to ensure the holes will match up properly and the product is level on the ground. When everything seems fitted, then tighten the screws.
- When you have completed assembly, we suggest you have more than one person to assist you with lifting and placing the product.

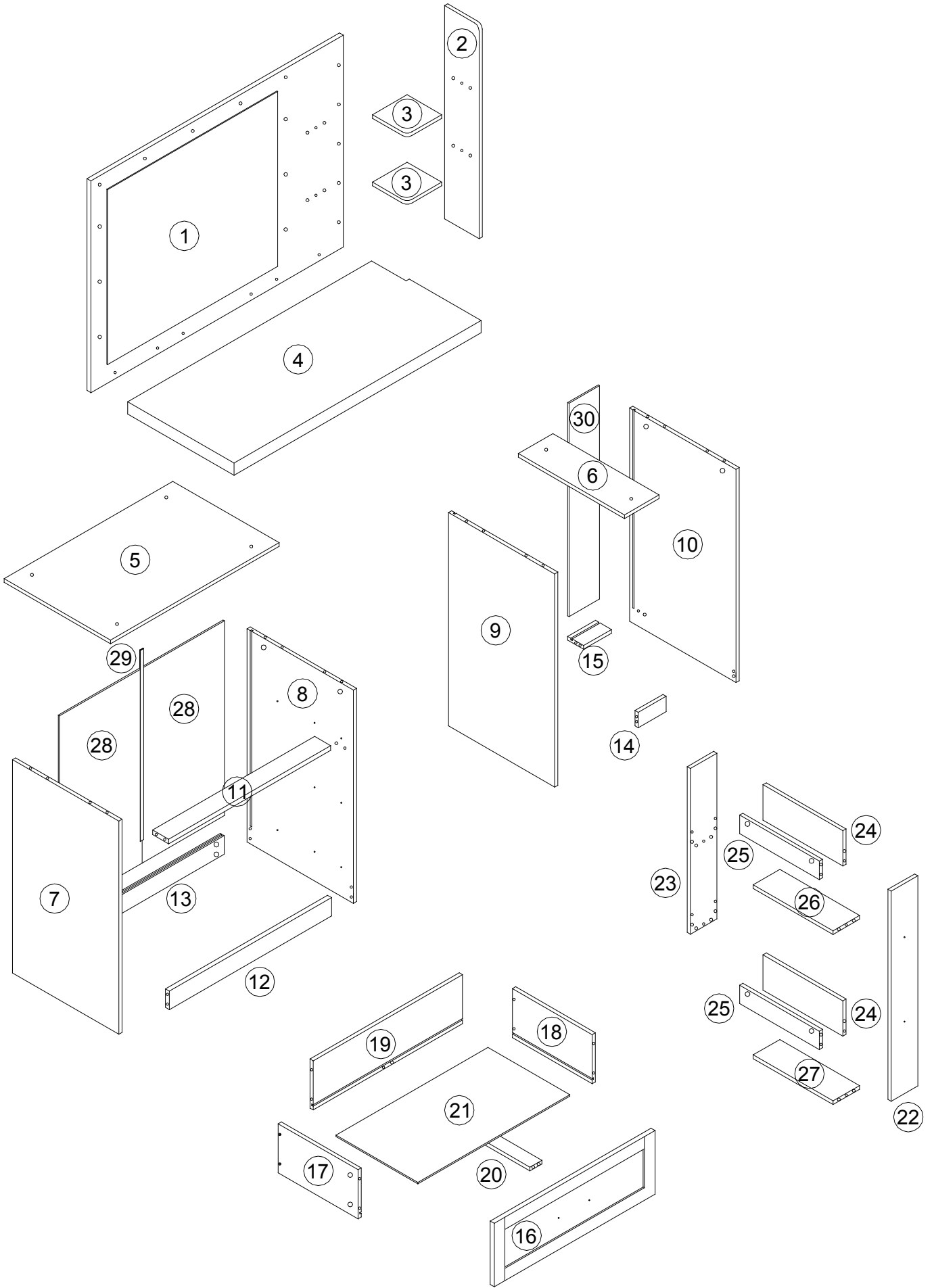
Care & Maintenance

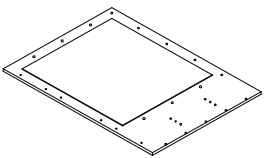
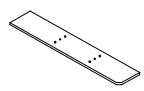

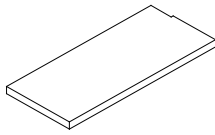
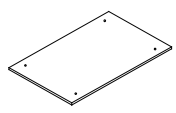
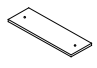
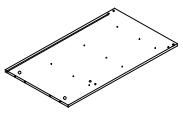
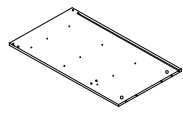
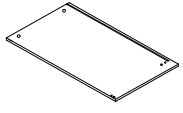
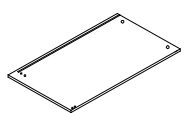
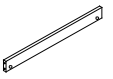
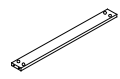



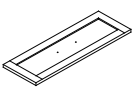
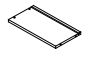
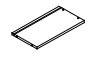
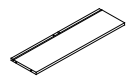

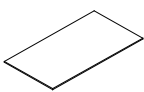
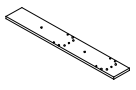
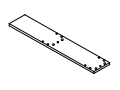
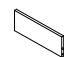
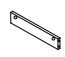
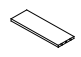
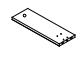
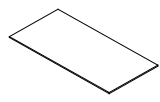

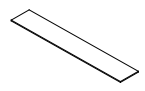
-  Do not put hot items directly on furniture surface
-  Do not clean furniture with harsh cleansers or polish
-  Do not place furniture under direct sunlight
-  Do not place furniture near heating or cooling vents
-  Do not write on furniture without a padded barrier to protect the surface
-  Do not place furniture outside. For indoor use only
-  Not for commercial use. For residential use only
-  Stains may be removed with mild soap solution and damp cloth
-  Children should not climb or jump on the furniture
-  Dust and pick-up spills using a clean, non-colored, lint-free cloth

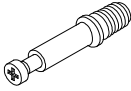
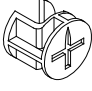
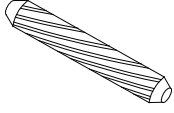
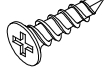

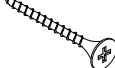
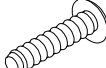
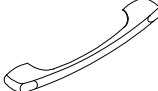
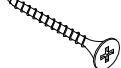
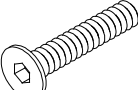
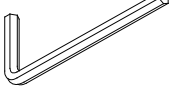
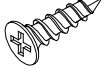
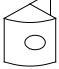
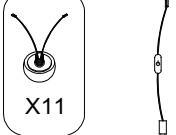
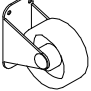



Caution

- This product contains small components. Please ensure that they are kept away from small children.
- Do not use power tools to assemble your furniture. Power tools may strip or damage the parts.

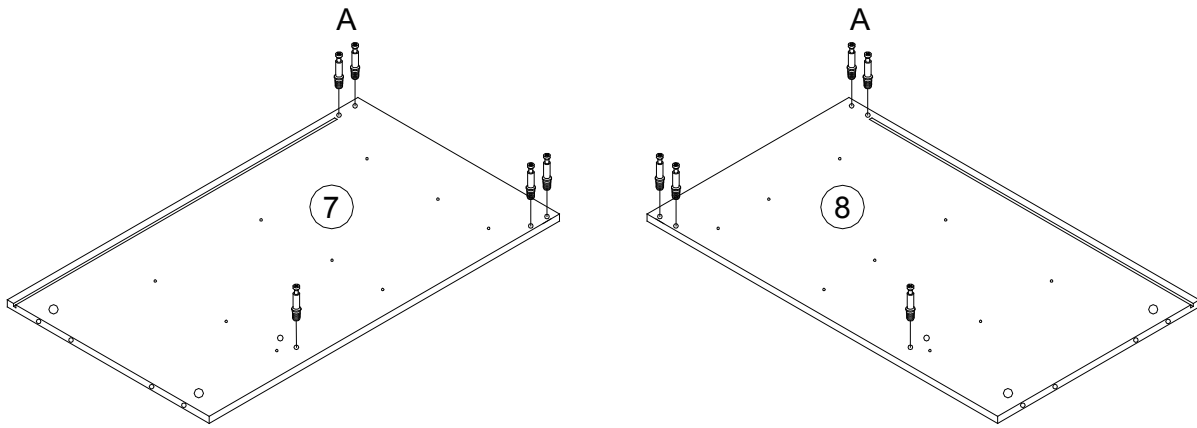





				
① x1PC	② x1PC	③ x2PCS	④ x1PC	⑤ x1PC
				
⑥ x1PC	⑦ x1PC	⑧ x1PC	⑨ x1PC	⑩ x1PC
				
⑪ x1PC	⑫ x1PC	⑬ x1PC	⑭ x1PC	⑮ x1PC
				
⑯ x3PCS	⑰ x3PCS	⑱ x3PCS	⑲ x3PCS	⑳ x3PCS
				
㉑ x3PCS	㉒ x1PC	㉓ x1PC	㉔ x2PCS	㉕ x2PCS
				
㉖ x1PC	㉗ x1PC	㉘ x2PCS	㉙ x1PC	㉚ x1PC

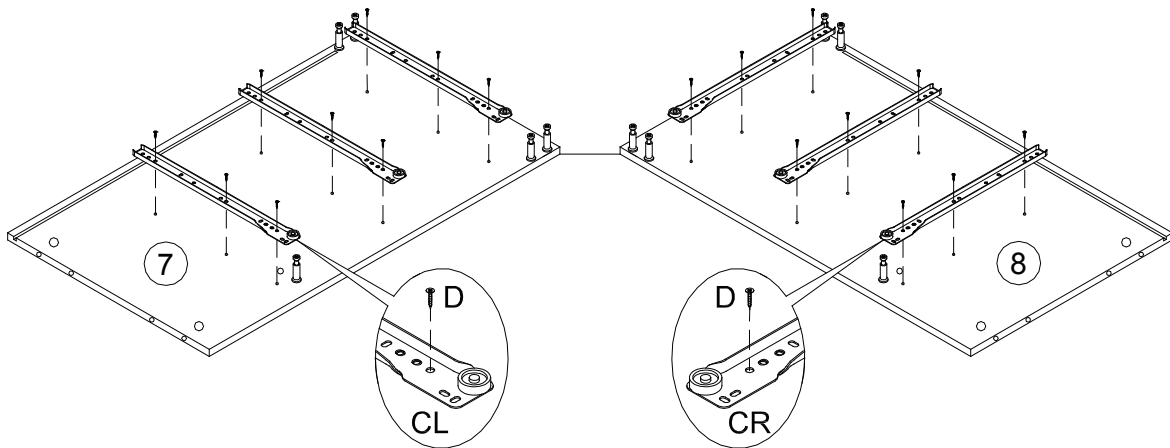
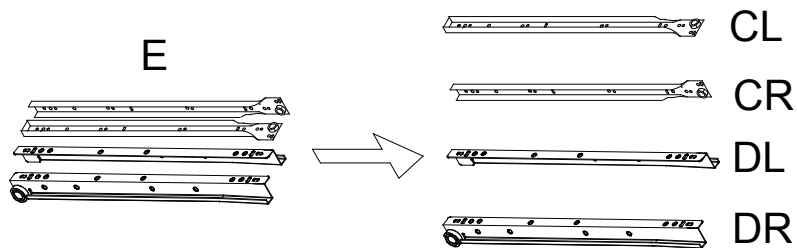
				
6*35mm	15*10mm	6*30mm	3*12mm	300mm
Ax54PCS	Bx54PCS	Cx48PCS	Dx30PCS	Ex3PCS
				
4*40mm	4*14mm	Hx3PCS	4*30mm	6*30mm
Fx11PCS	Gx8PCS	Hx3PCS	Ix12PCS	Jx4PCS
				
Kx1PC	3*14mm	Mx12PCS	Nx1PC	Ox1PC
				
Px2PCS	Qx2PCS	4*12mm		
		Rx4PCS		




STEP 1



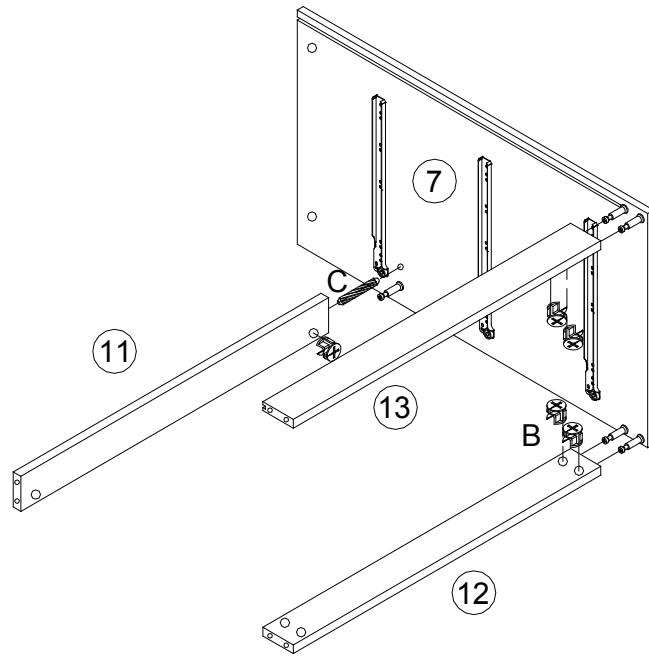
A  10 pcs



STEP 2



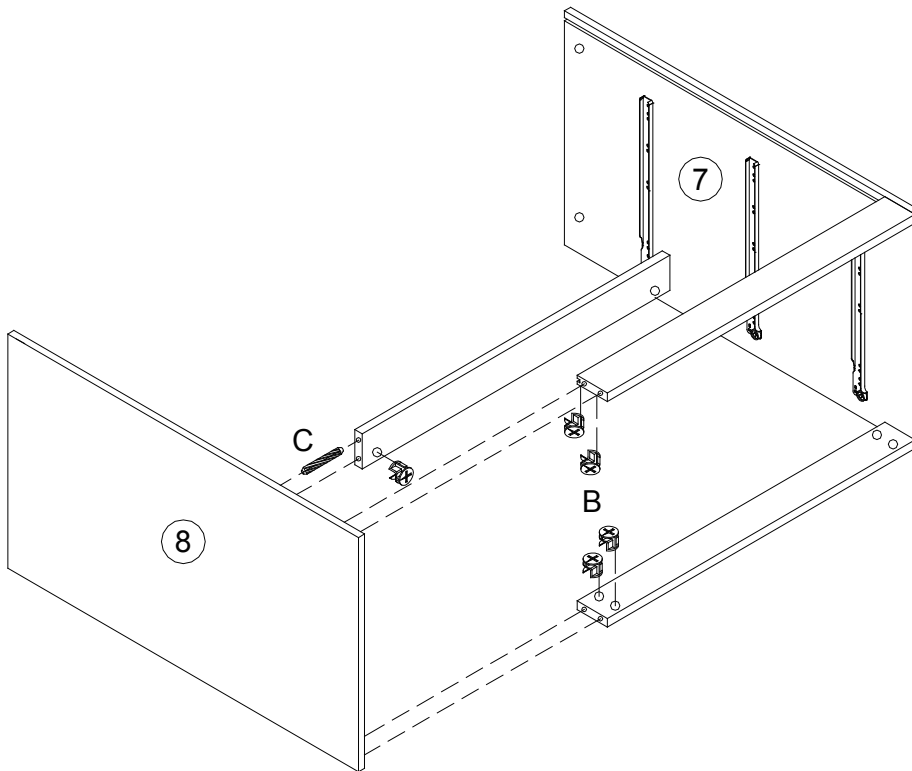
D		18 pcs
CL		3 pcs
CR		3 pcs



STEP 3



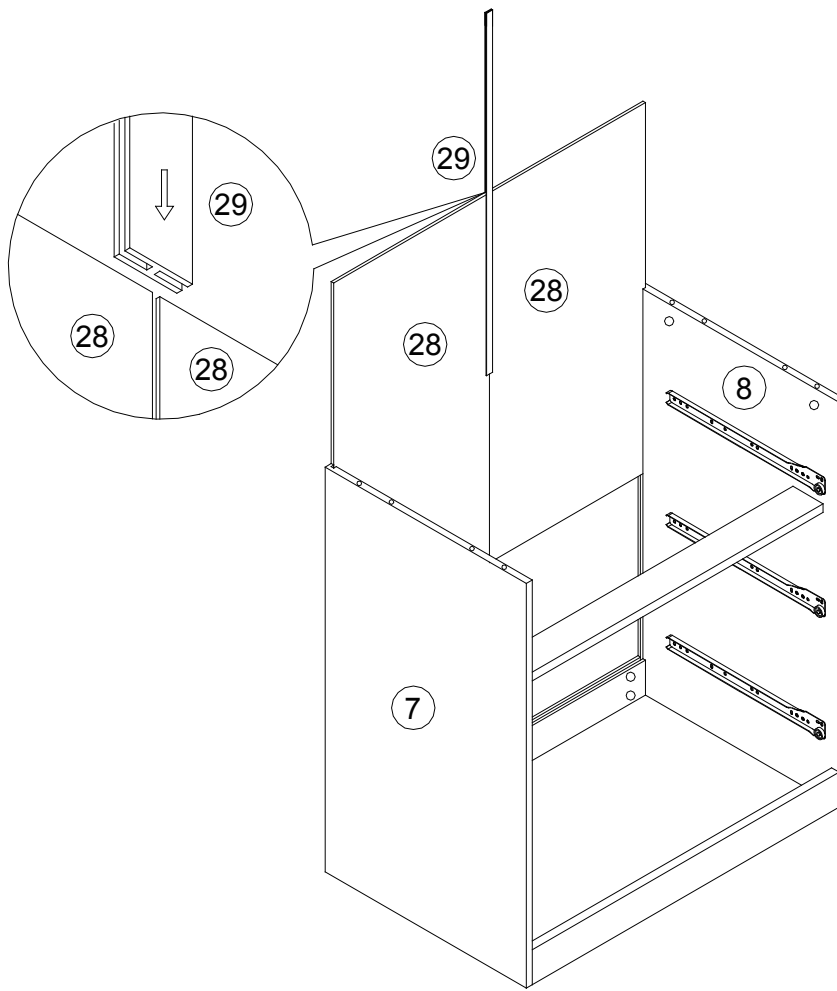
B		5 pcs
C		1 pc

STEP 4

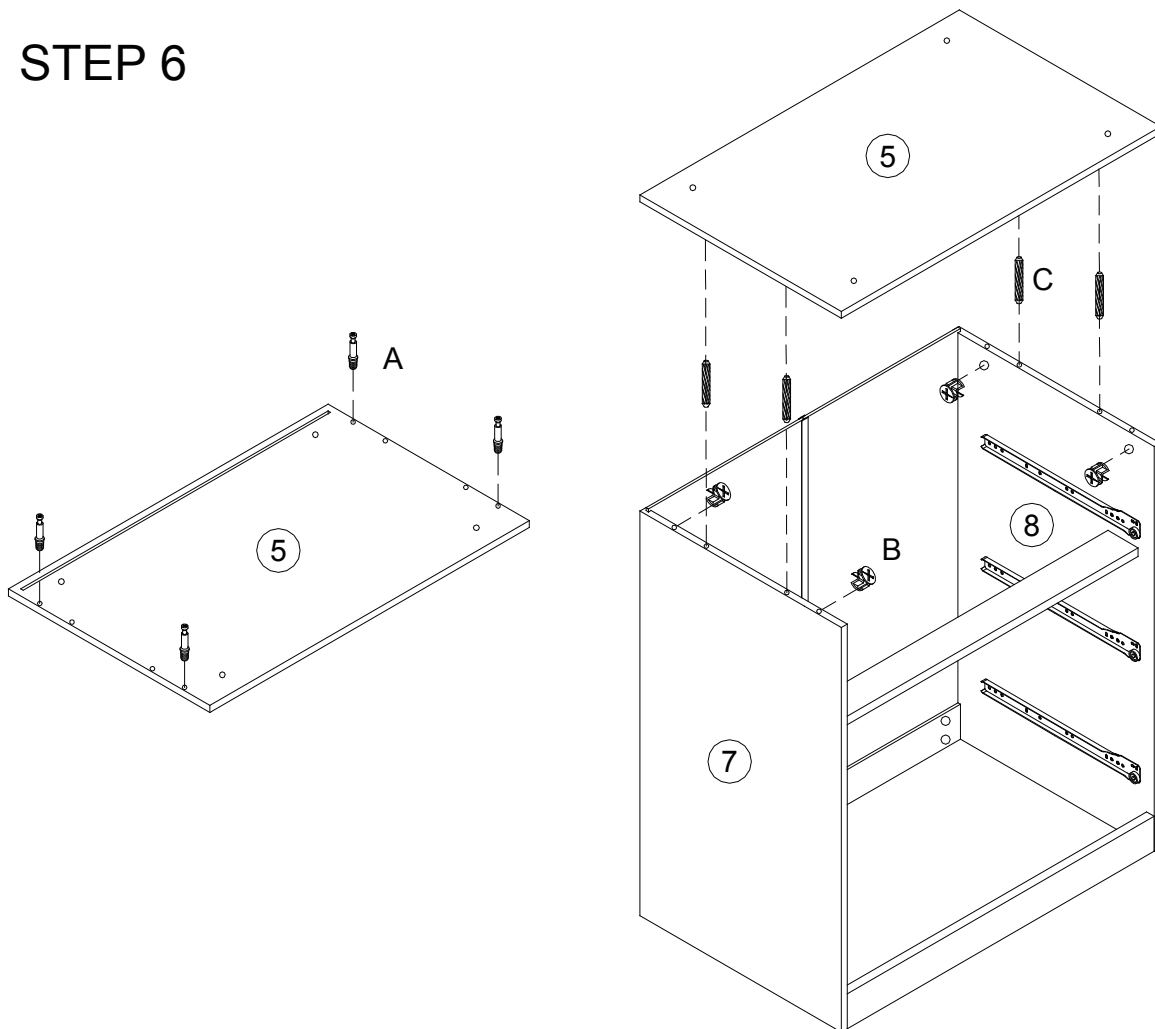





B		5 pcs
C		1 pc

STEP 5

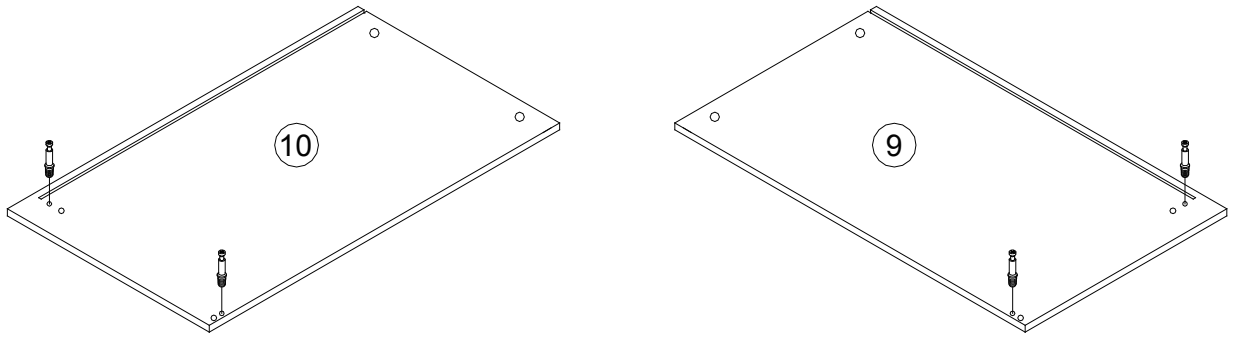


STEP 6



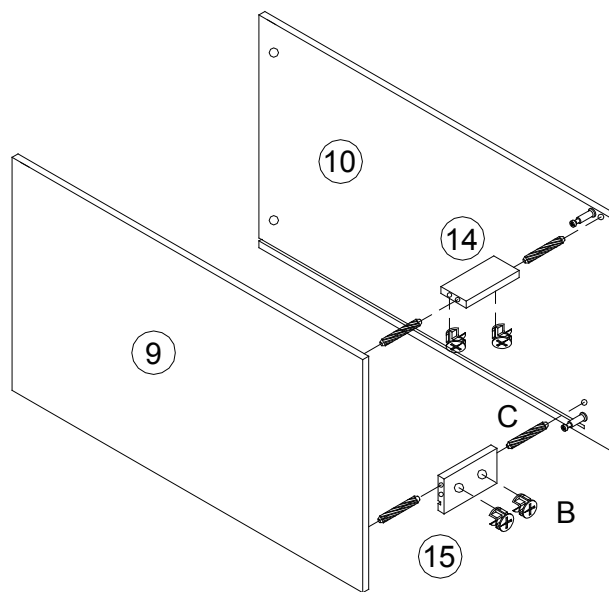
A		4 pcs
B		4 pcs
C		4 pcs

STEP 7



A  4 pcs

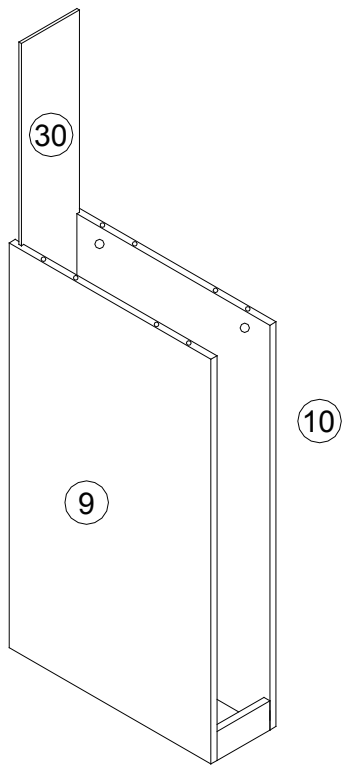
STEP 8



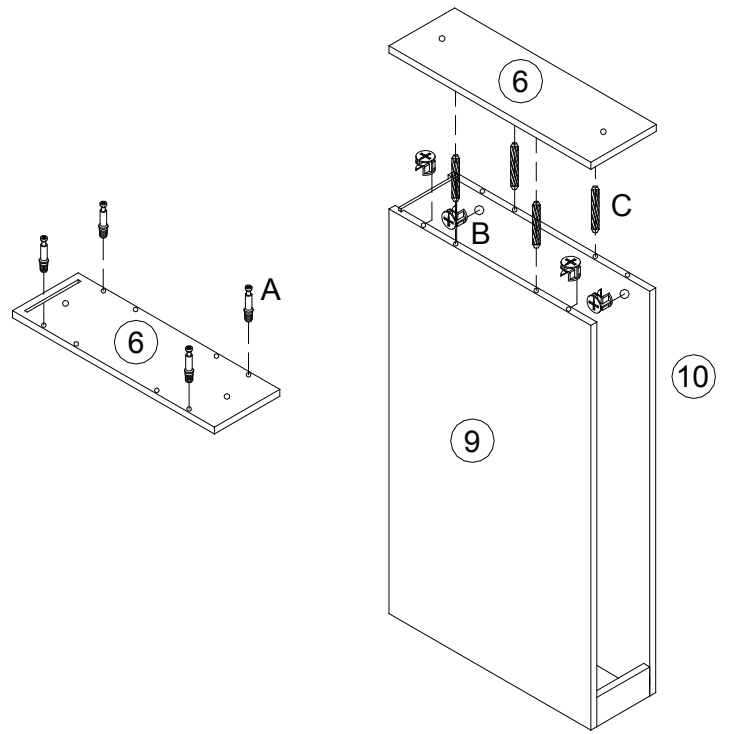
B  4 pcs




C  4 pcs

STEP 9

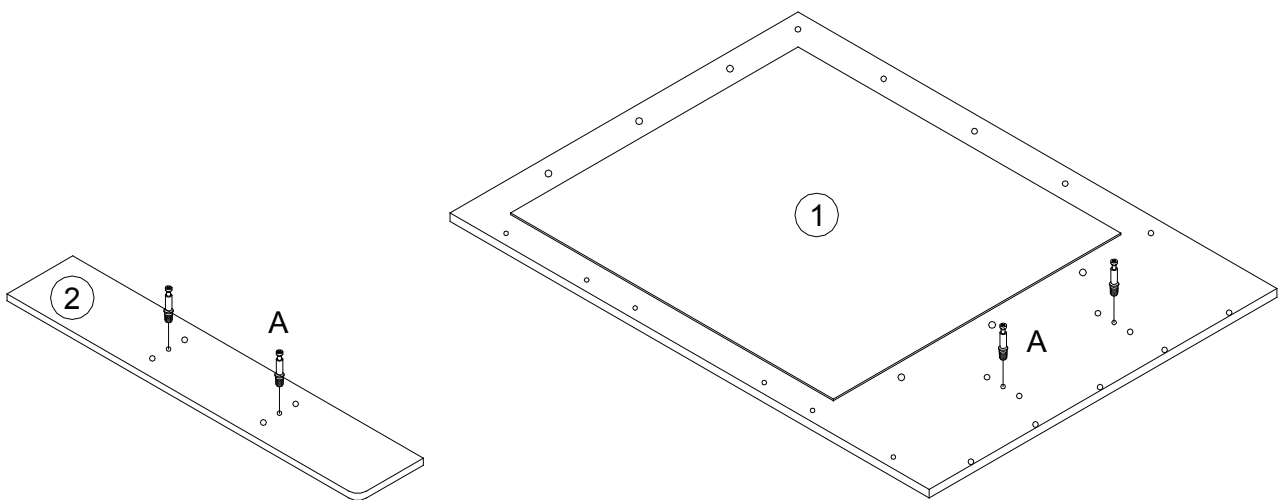



STEP 10



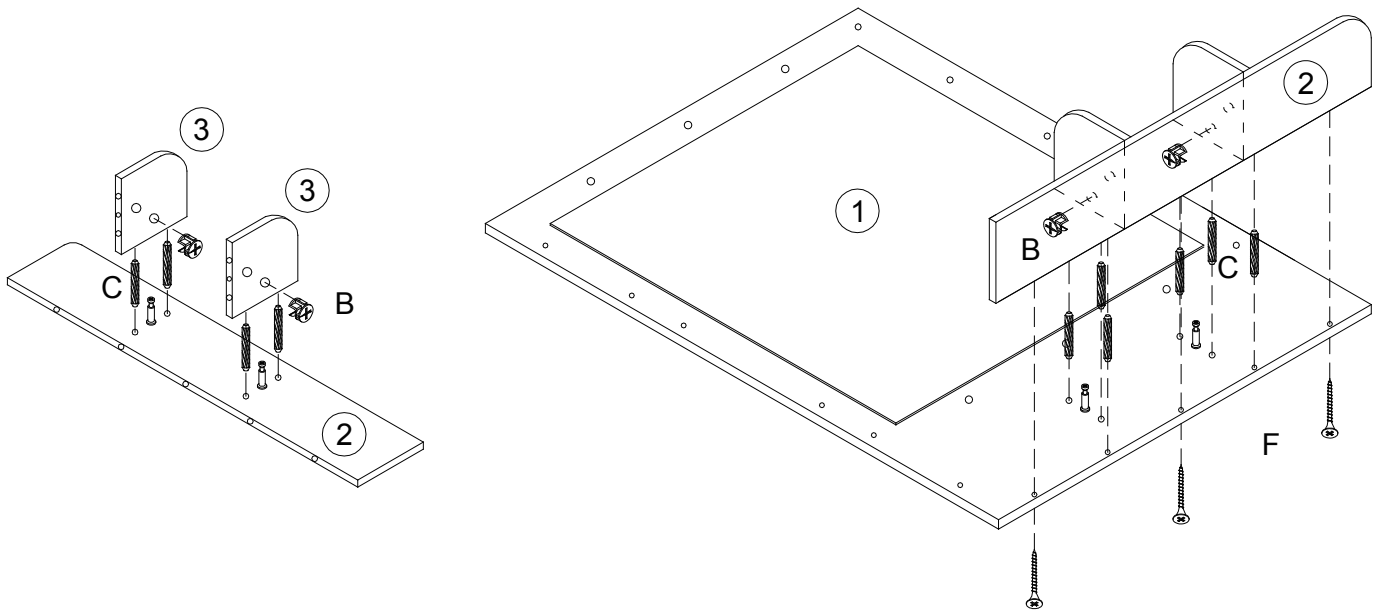
A		4 pcs
B		4 pcs
C		4 pcs




STEP 11



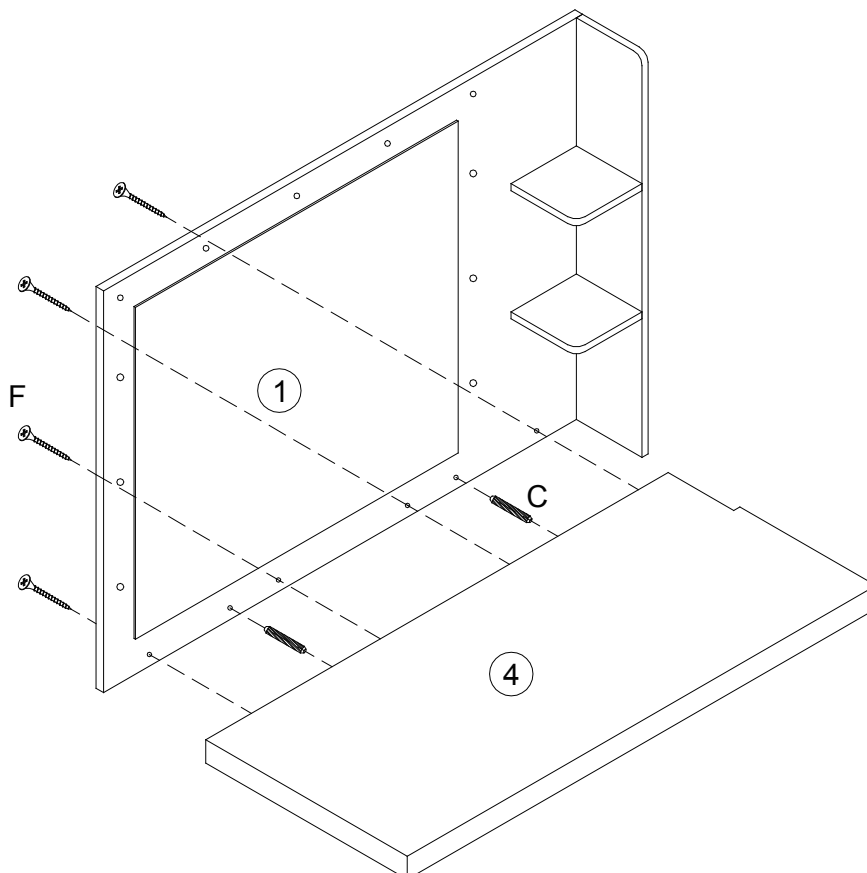
A		4 pcs
---	---	-------



STEP 12



B		4 pcs
C		10 pcs
F		3 pcs

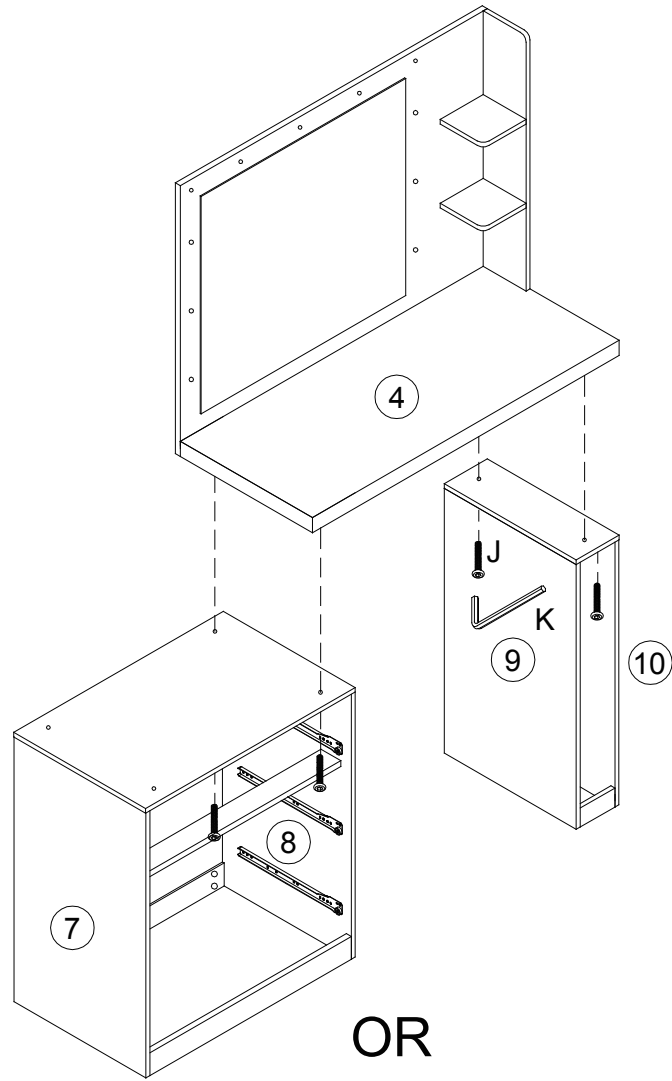
STEP 13



C		2 pcs
F		4 pcs

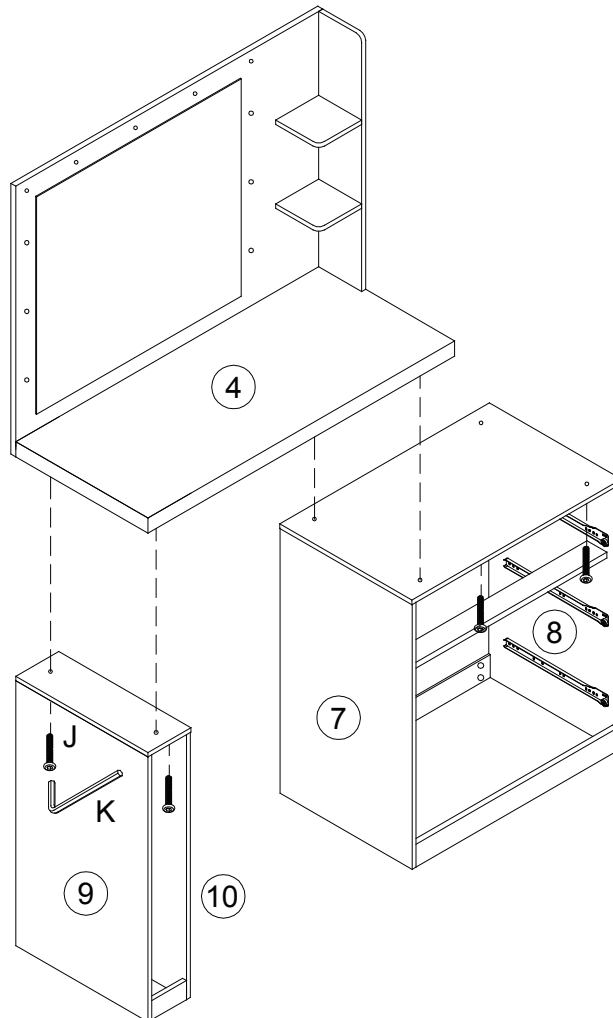
STEP 14



Type 1



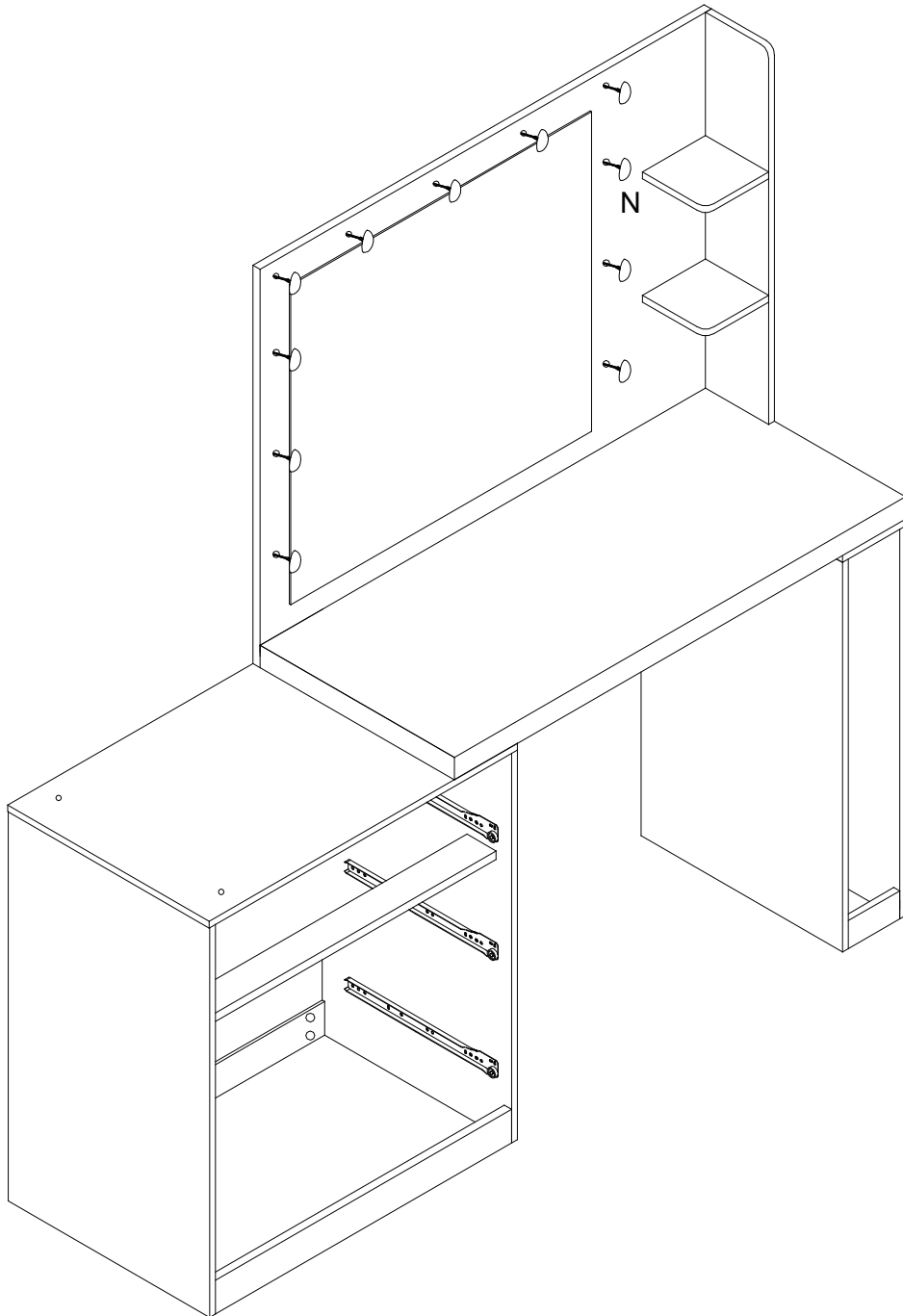
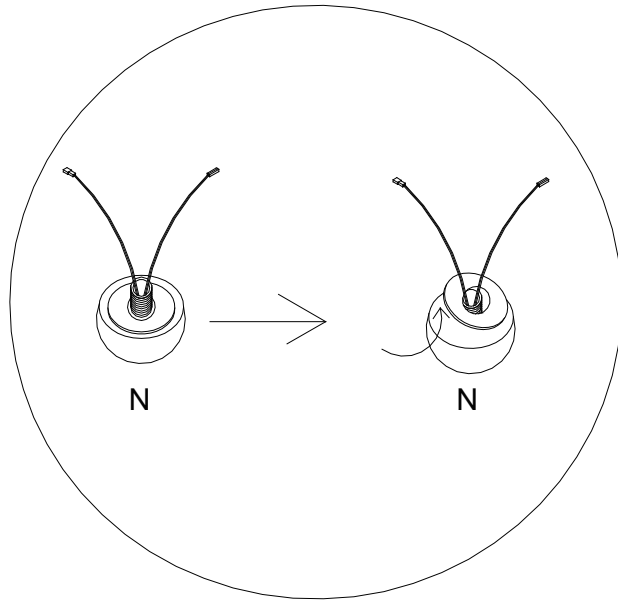
OR


Type 2



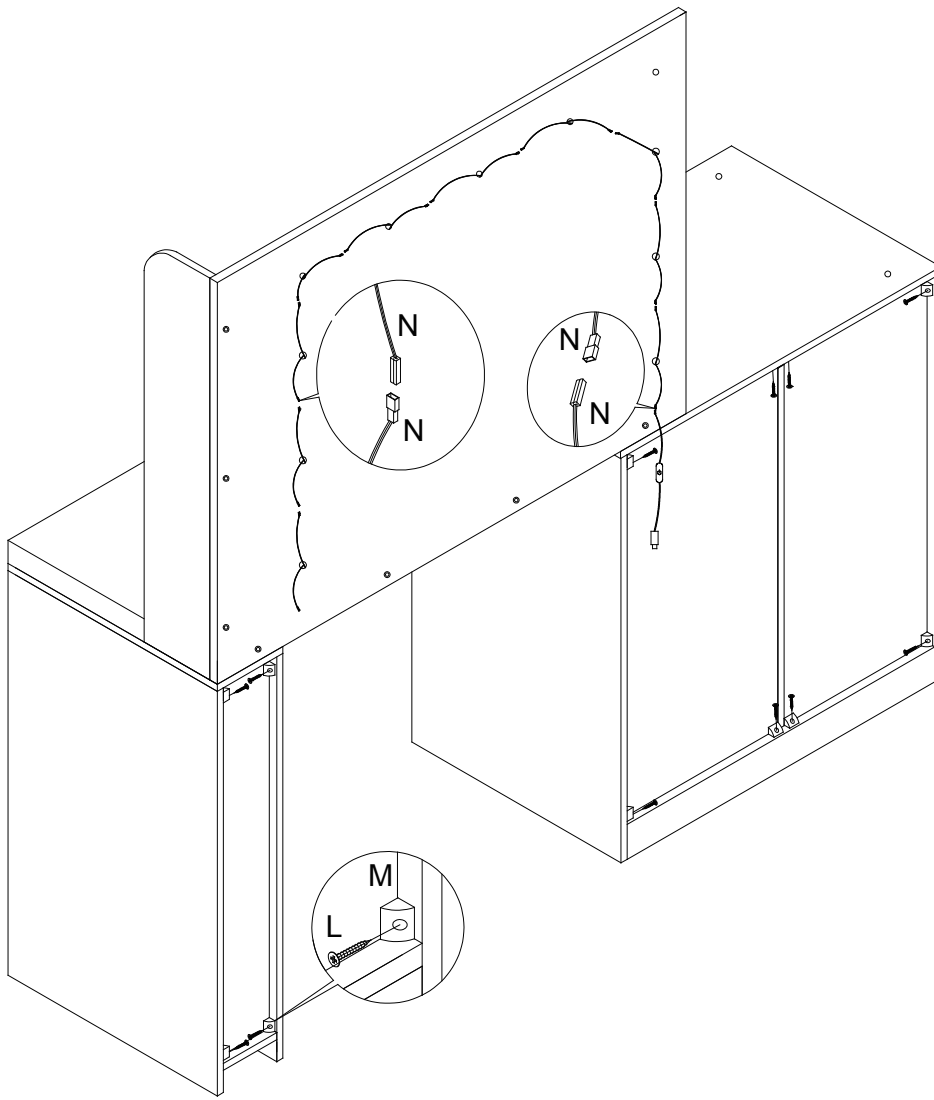
J		4 pcs
K		1 pc

STEP 15



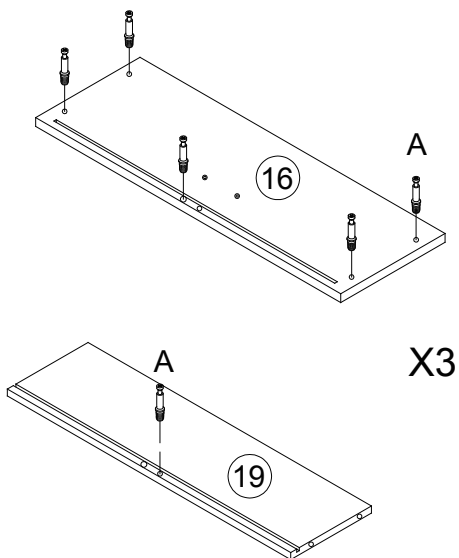
N  11 pcs

STEP 16



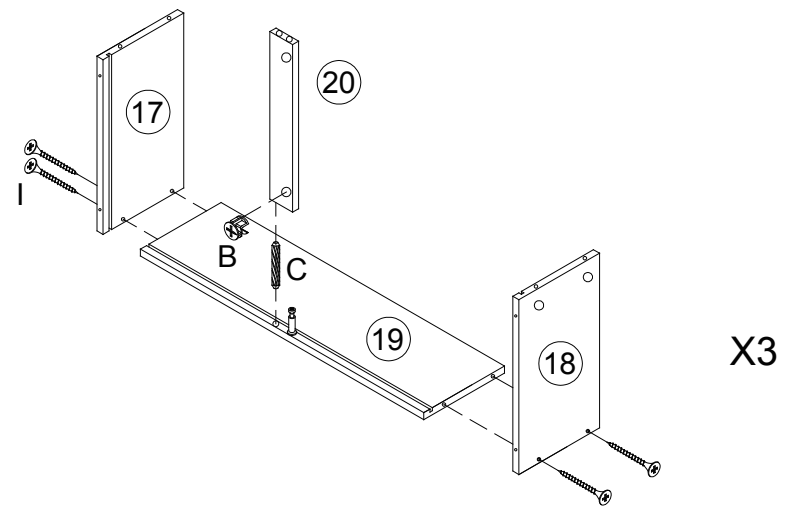
L		12 pcs
M		12 pcs
N		1 pc

STEP 17



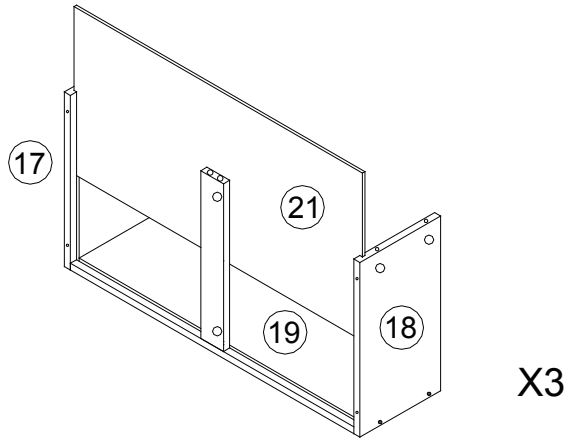
A		18 pcs
---	--	--------

STEP 18

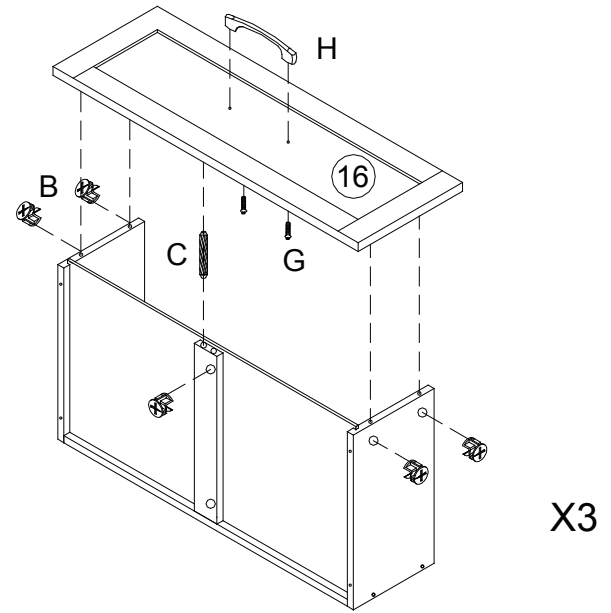


B		3 pcs
C		3 pcs
I		12 pcs

STEP 19

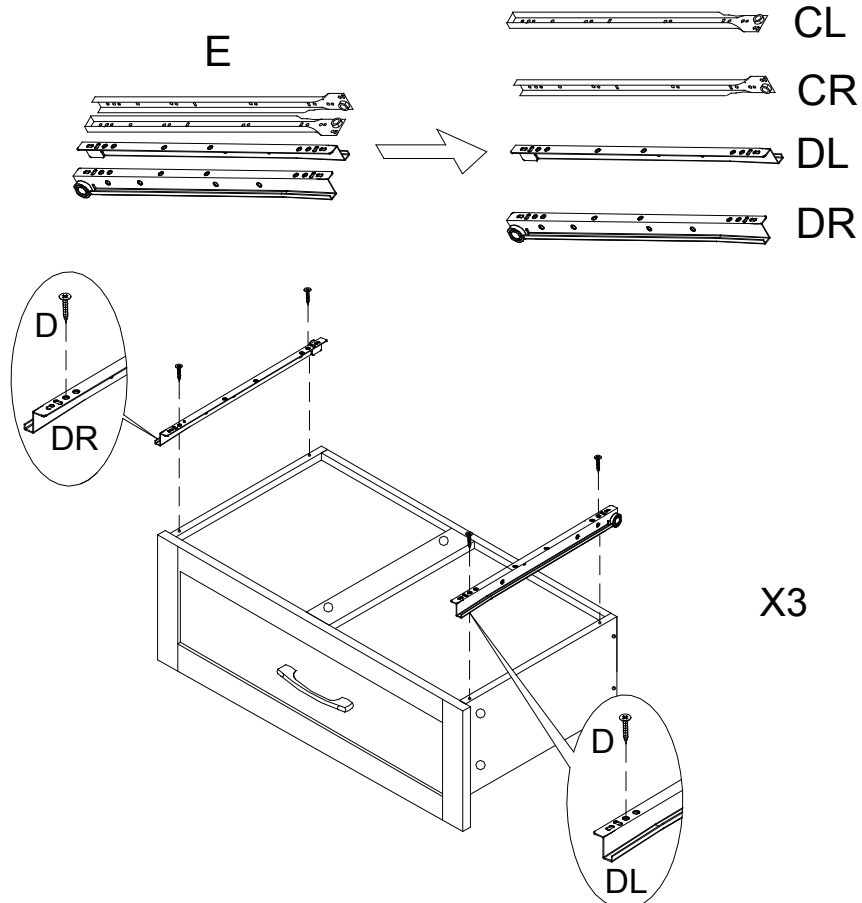


STEP 20



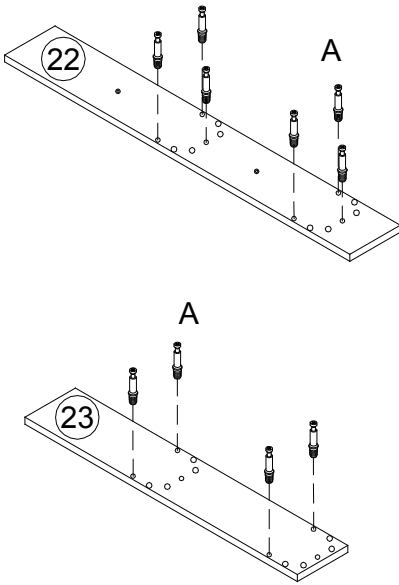
B		15 pcs
C		3 pcs
G		6 pcs
H		3 pcs

STEP 21



D		12 pcs
DL		3 pcs
DR		3 pcs

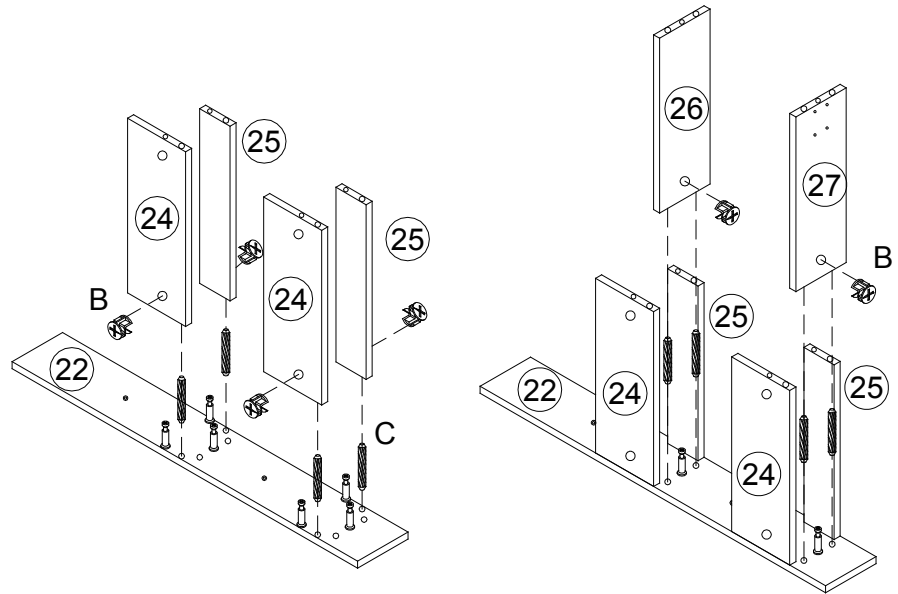
STEP 22



A  10 pcs

STEP 23

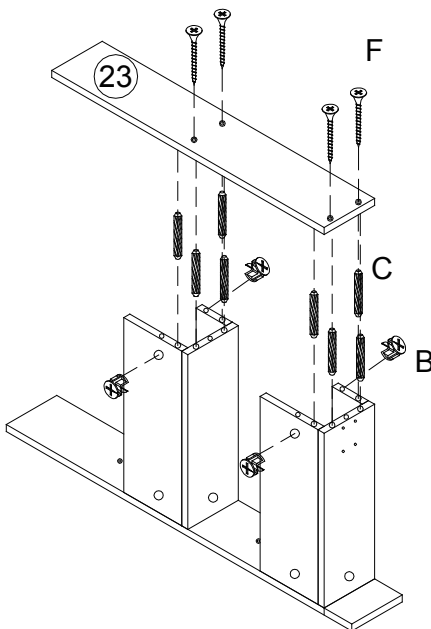
Corresponding to step 14 type 1






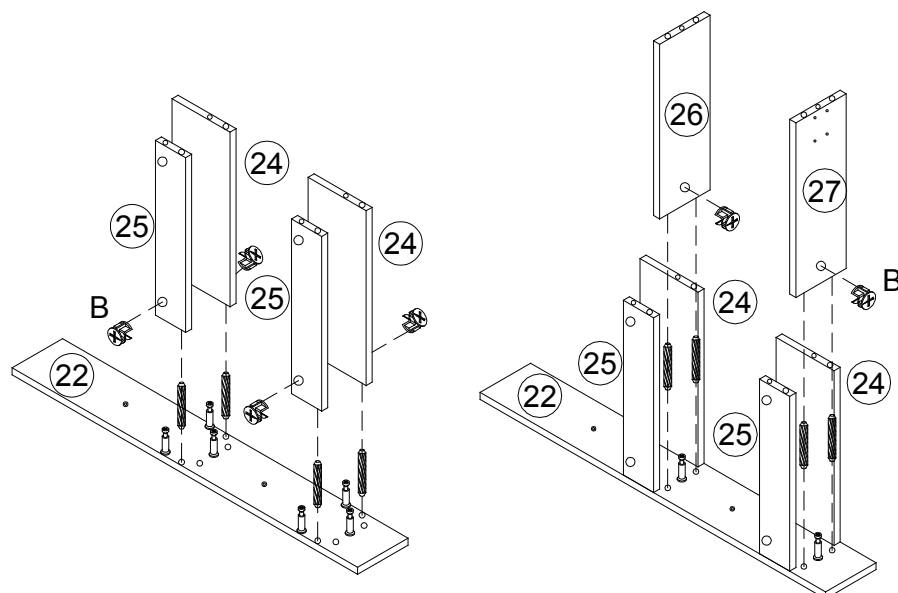
OR



STEP 24

Corresponding to step 14 type 2

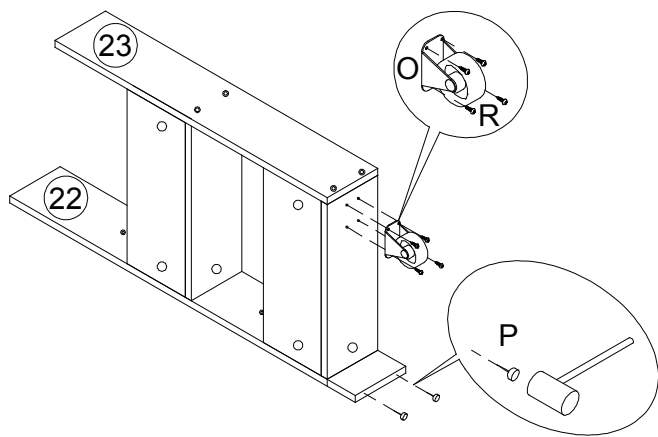


B		4 pcs
C		8 pcs
F		4 pcs



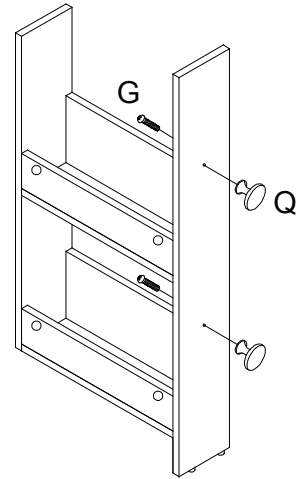
B		6 pcs
C		8 pcs

STEP 25



O		1 pc
P		2 pcs
R		4 pcs

STEP 26



G		2 pcs
Q		2 pcs

STEP 27

