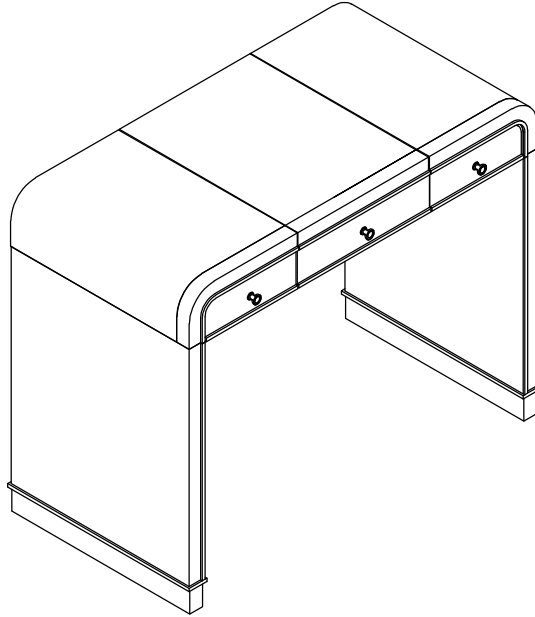
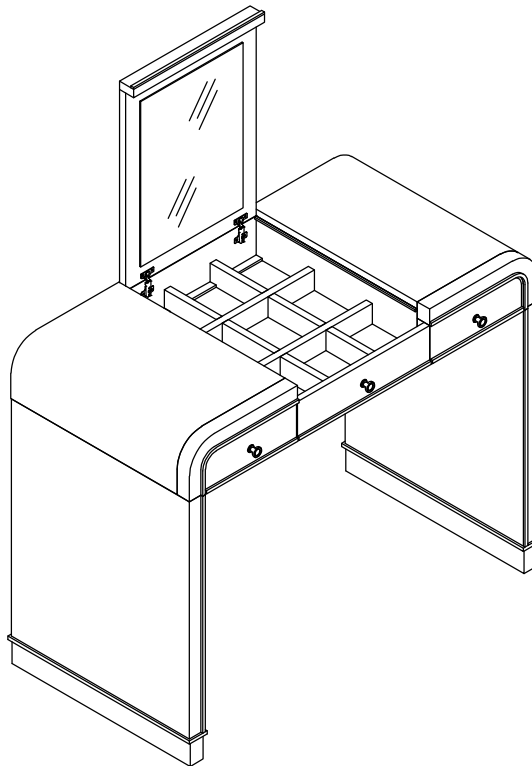


ASSEMBLY INSTRUCTIONS

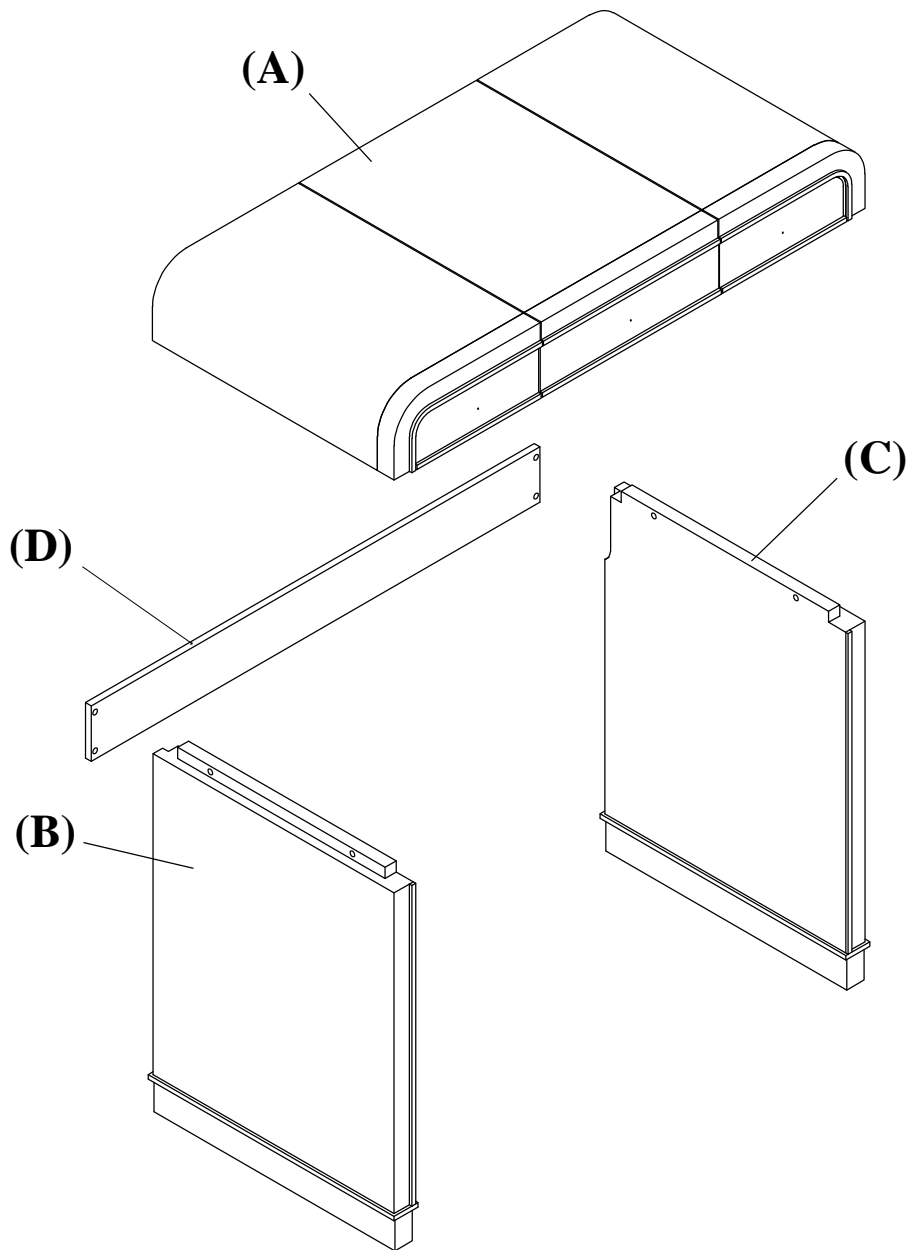
OPTION 1



OPTION 2



NOTE: 50% TIGHTEN BEFORE FIXING ALL BOLTS



Notice:

1. **50% Tighten before fixing all screws, Allen wrench is recommended instead of an electric drill.**
2. **Place the item on a flat ground to adjust and make sure it remains stable. Tighten up all screws with tools gradually.**
3. **Tighten up all screws with tools gradually.**
4. **If the screws are not aligned with holes during assembly, please loosen all the other screws to 50% and continue the assembly process.**
5. **If the item is not stable, please loosen all the screws, adjust it on a flat ground and tighten up all screws again.**
6. **Note: If one or some screws are fully tightened during assembly, chances are the others will not be aligned with holes. In addition, all the holes are designed to be relatively larger to provide more space for the adjustment of the screws.**

PARTS LIST

A

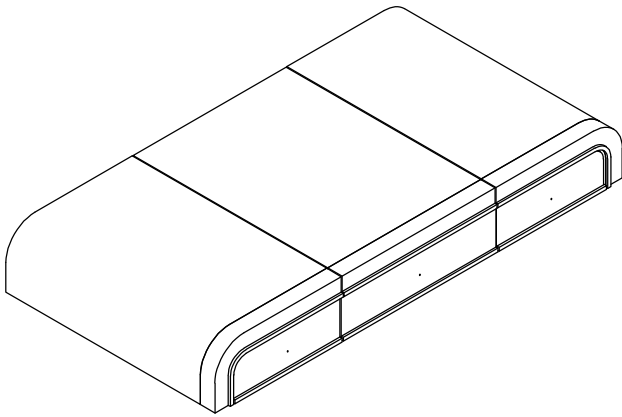
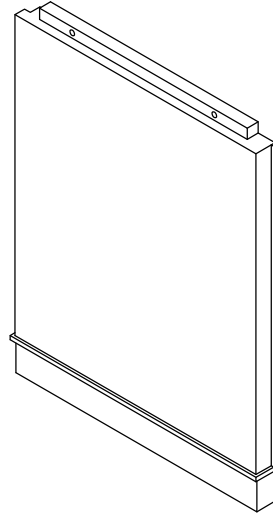


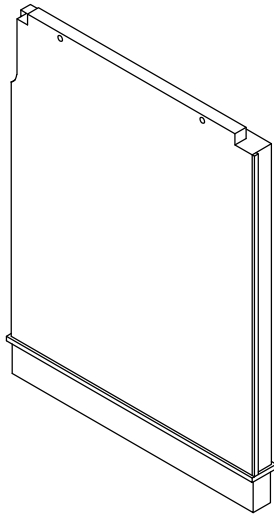
Table top (1 PC)

B



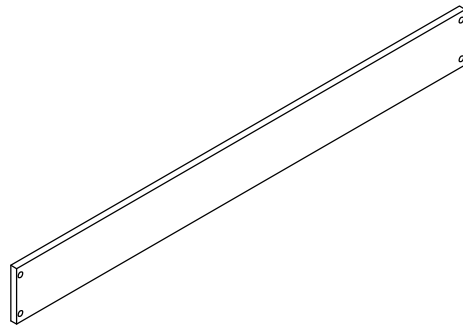
Leg Frame Left (1 PC)

C



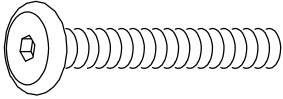





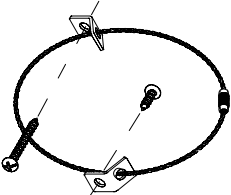

Leg Frame Right (1 PC)

D

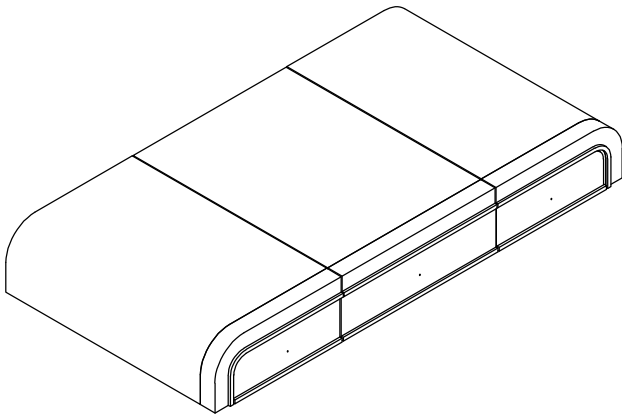


Mounting plate (1 PC)

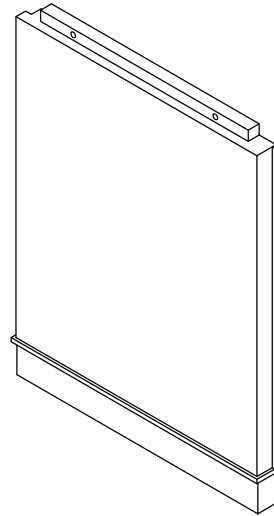
HARDWARE LIST

<p>1</p>  <p>Bolt 1/4" x 35mm (8 PCS)</p>	<p>2</p>  <p>Lock Washer 1/4" (8 PCS)</p>	<p>3</p>  <p>Flat Washer 1/4" (8 PCS)</p>
<p>4</p>  <p>Allen Key 4mm (1 PC)</p>	<p>5</p>  <p>Handle (3 PCS)</p>	<p>6</p>  <p>Ø 5/32" x 25mm Bolt With Screw Head (3PCS)</p>
<p>7</p>  <p>Anti- Tip Restraint x 2 Set</p>	<p>8</p>  <p>Screw driver (not provided)</p>	

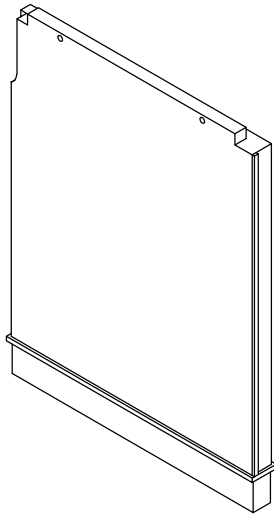
CARTON CONTENT



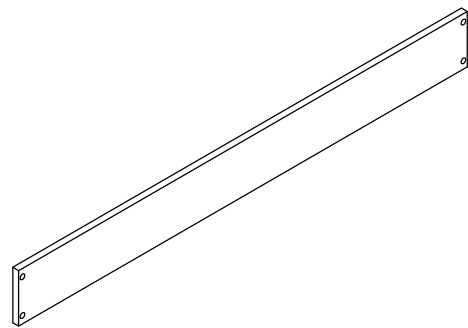
A x 1



B x 1

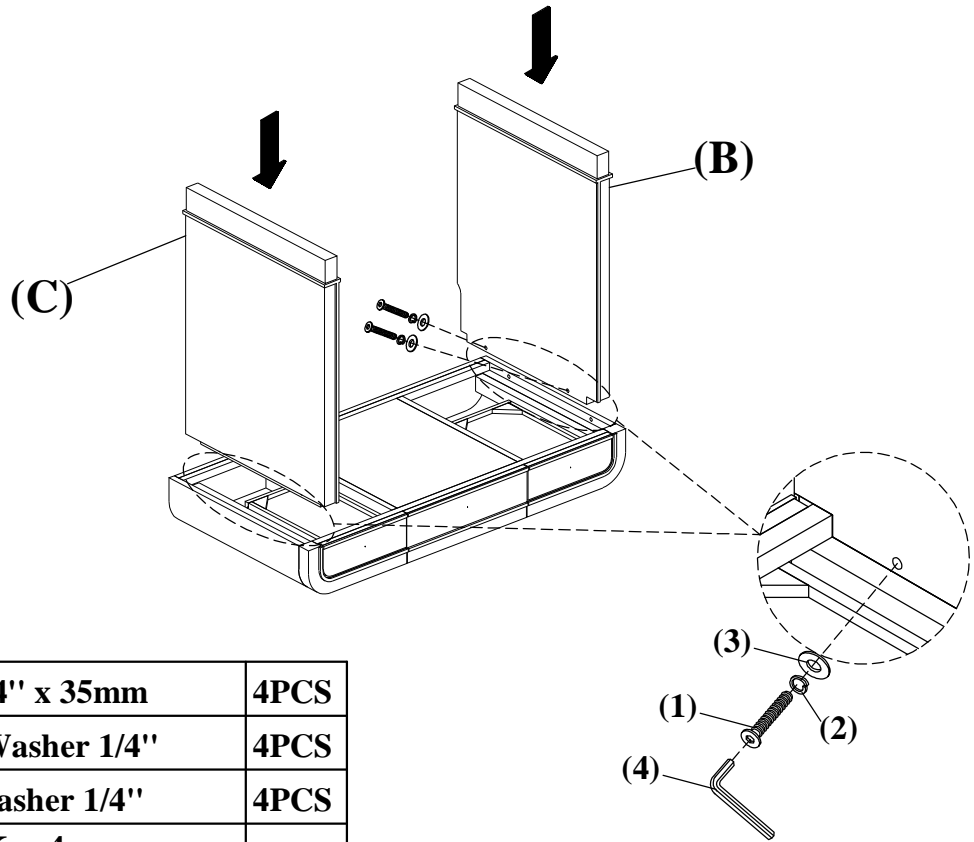


C x 1



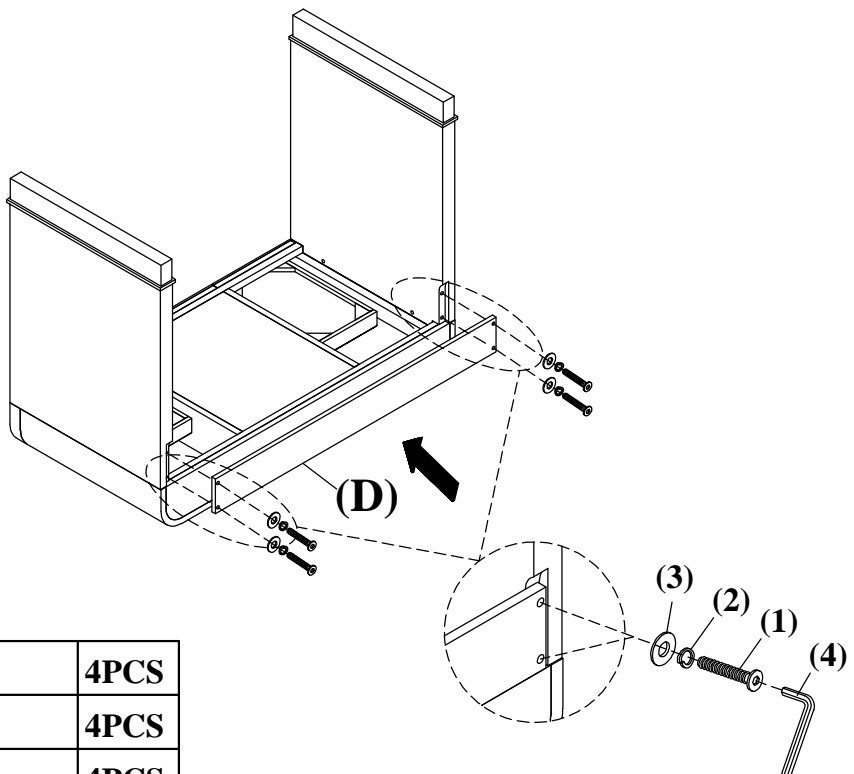
D x 1

STEP 1



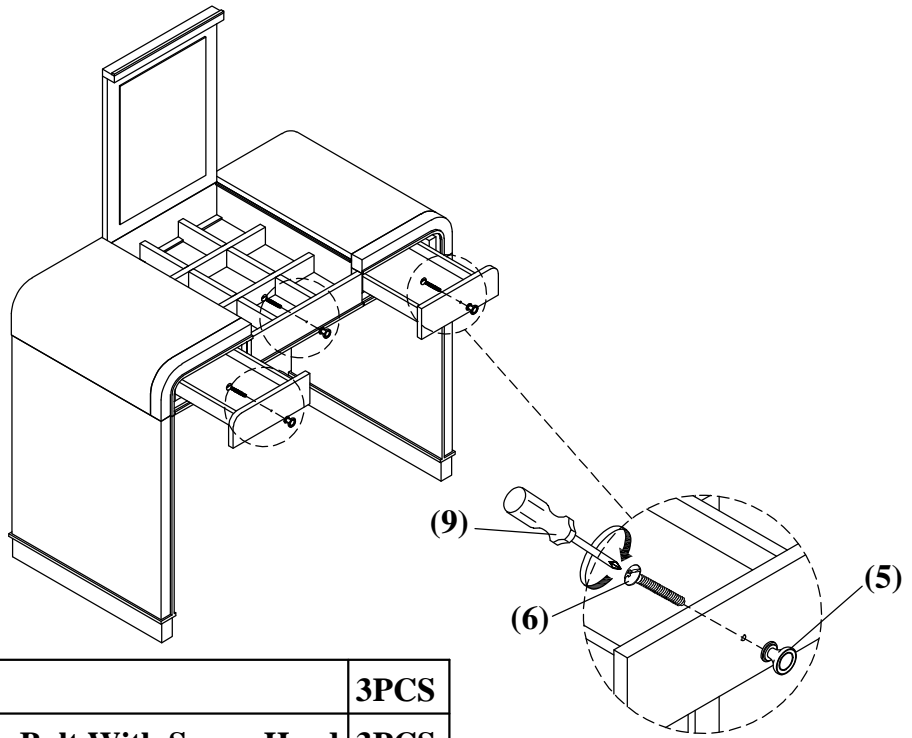
1		Bolt 1/4" x 35mm	4PCS
2		Lock Washer 1/4"	4PCS
3		Flat Washer 1/4"	4PCS
4		Allen Key 4mm	1PC




STEP 2



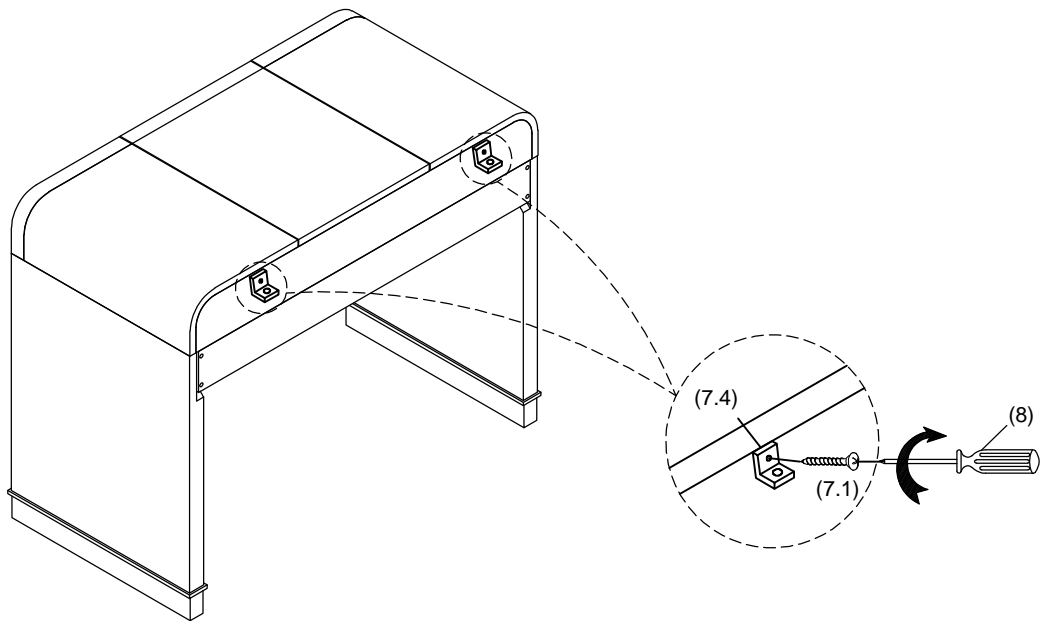
1		Bolt 1/4" x 35mm	4PCS
2		Lock Washer 1/4"	4PCS
3		Flat Washer 1/4"	4PCS
4		Allen Key 4mm	1PC

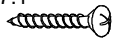
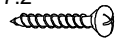

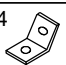
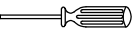
STEP 3



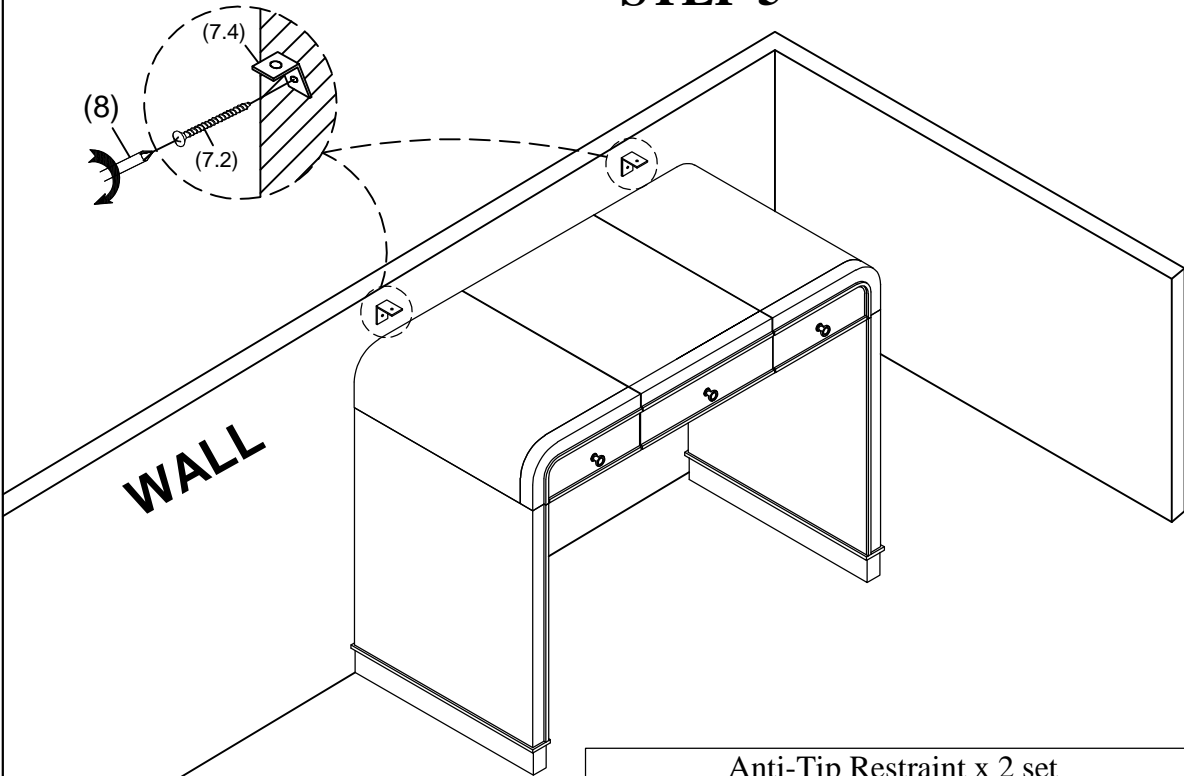
5		Handle	3PCS
6		Ø5/32" x 25mm Bolt With Screw Head	3PCS
8		Screw driver (not provided)	

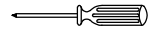
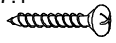
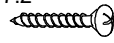


STEP 4



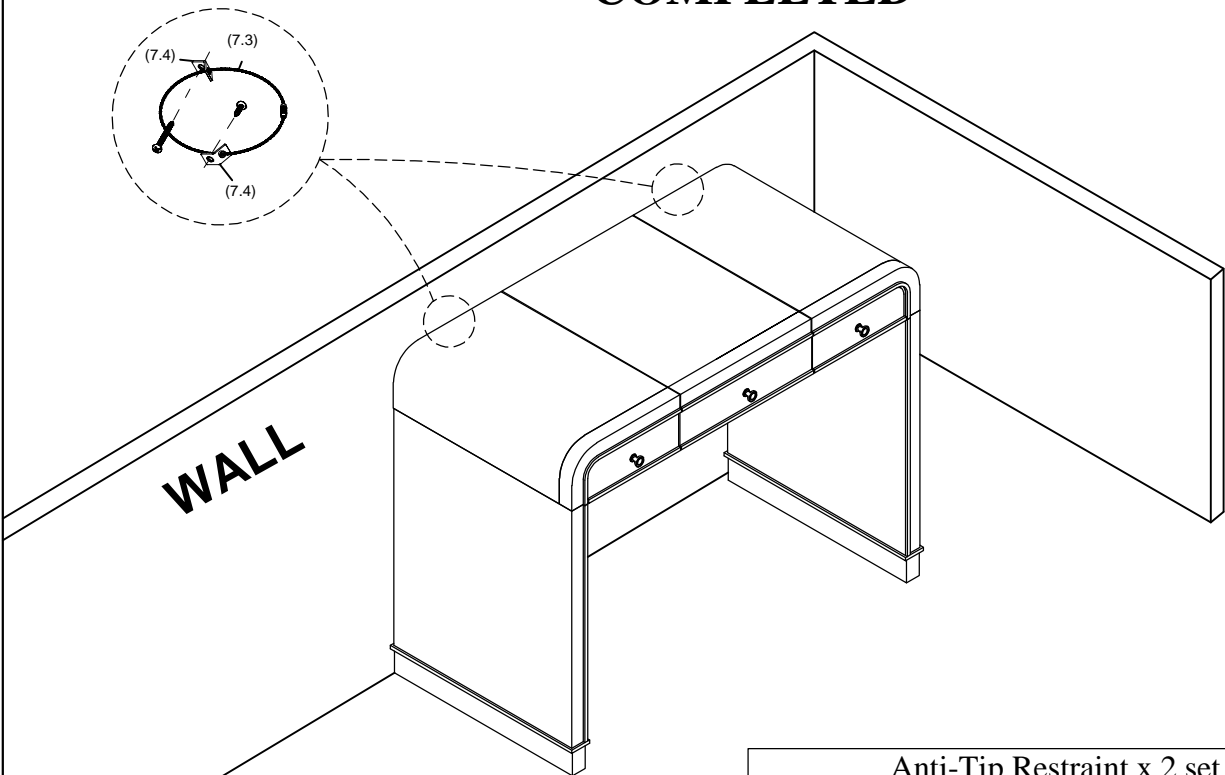
Anti-Tip Restraint x 2 set				8
7.1  16mm screw x1	7.2  50mm screw x1	7.3  Tie Strap x1	7.4  L Bracket x2	 Screw driver (not provided)

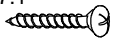
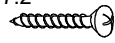


STEP 5



Anti-Tip Restraint x 2 set				8
7.1	7.2	7.3	7.4	
				Screw driver (not provided)
16mm screw x1	50mm screw x1	Tie Strap x1	L Bracket x2	

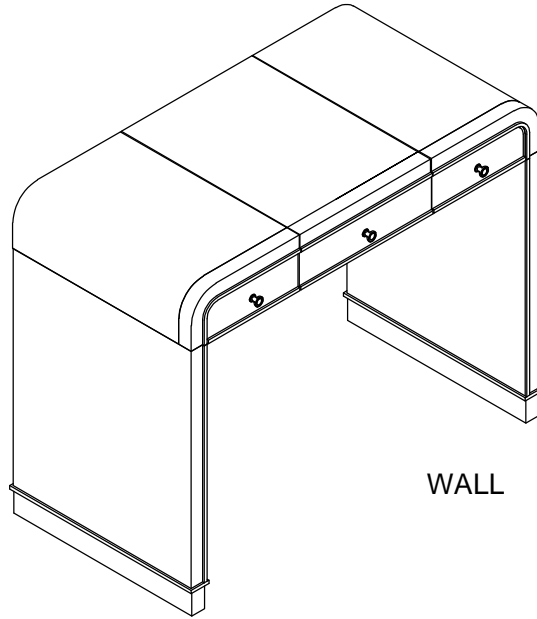
COMPLETED



Anti-Tip Restraint x 2 set			
7.1	7.2	7.3	7.4
			
16mm screw x1	50mm screw x1	Tie Strap x1	L Bracket x2

FINISH

OPTION 1



OPTION 2

