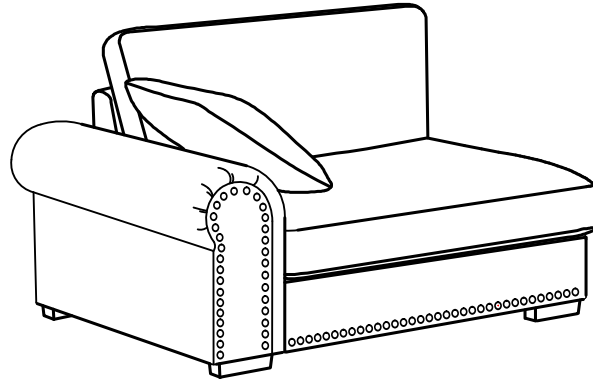


ASSEMBLY INSTRUCTION



PARTS LIST

A X1	B X1	C X1	D X1	F X1
G X1	H X3	I X2	J X3	K X3
L X1				

Packing list:

DX1 EX1

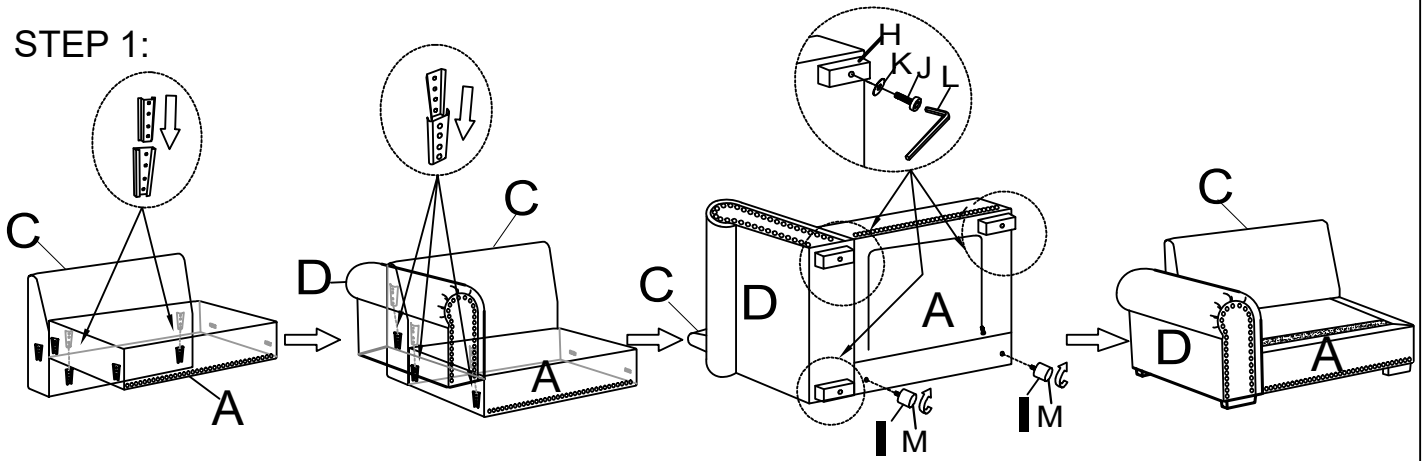
Carton 1/8

CX1

AX1 BX1

Carton 2/8

STEP 1:



STEP 2:

