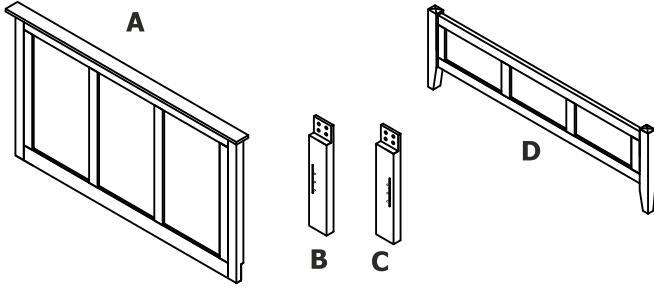


FULL/QUEEN BED ASSEMBLY INSTRUCTIONS

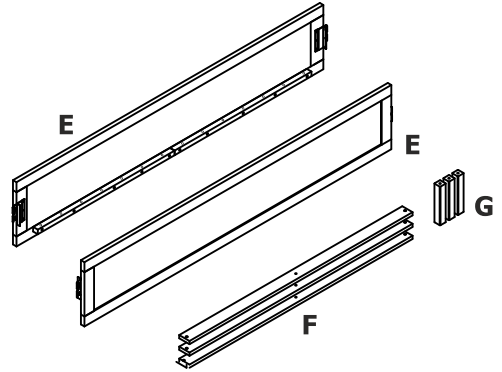
BOX #1

- A. HEADBOARD PANEL 1 PC
- B. LEFT HEADBOARD LEG 1 PC
- C. RIGHT HEADBOARD LEG 1 PC
- D. FOOTBOARD 1 PC
- HEADBOARD HARDWARE BOX*

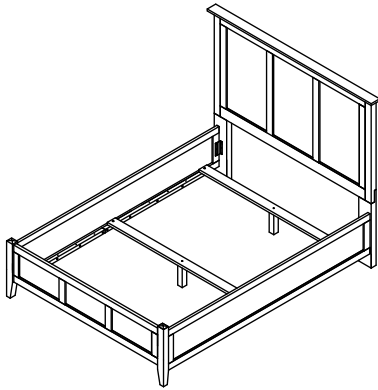


BOX #2

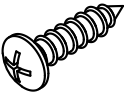
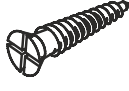
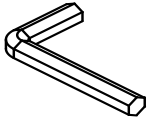
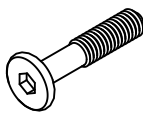
- E. SIDE RAIL 2 PCS
- F. BED SLAT 3 PCS
- G. SUPPORT LEG 3 PCS
- BED HARDWARE BOX*



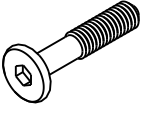


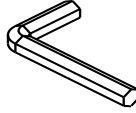
BED ASSEMBLED



BED HARDWARE PACKED IN BOX #2

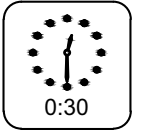
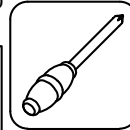
1	PAN HEAD SCREW (6x15mm)	12 PCS	2	WOOD SCREW (8x30mm)	7 PCS	3	ALLEN KEY	1 PC
								
4	ALLEN BOLT (6x40mm)	4 PCS						
								

HEADBOARD HARDWARE PACKED IN BOX #1

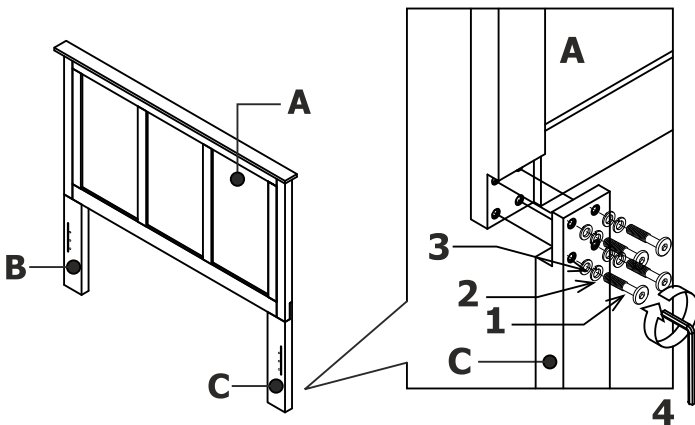
1	ALLEN BOLTS (6x35mm)	8 PCS	2	SPRING WASHER (M6)	8 PCS	3	FLAT WASHER (M6)	8 PCS	4	ALLEN KEY	1 PC
											

TOOL REQUIRED : PHILLIPS HEAD
SCREWDRIVER (NOT PROVIDED)

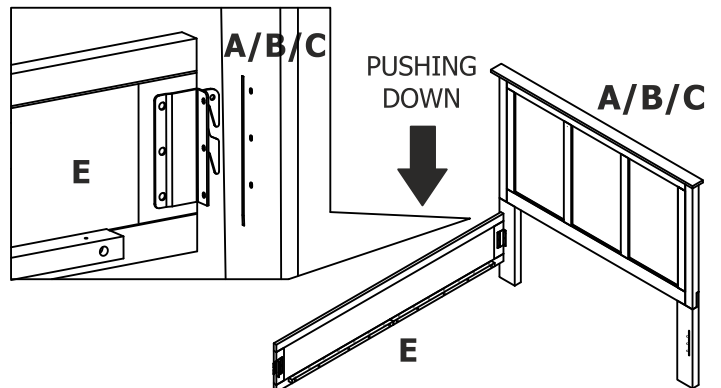
**YOUR BOX
MAY CONTAIN
EXTRA HARDWARE**

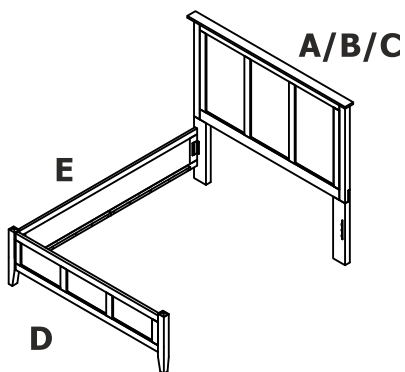
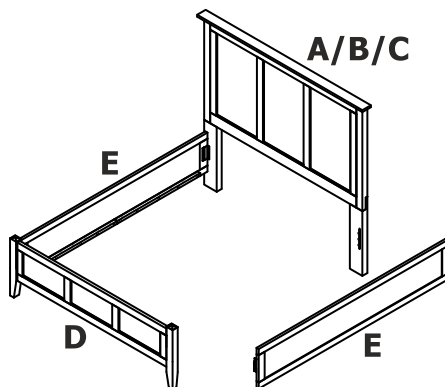
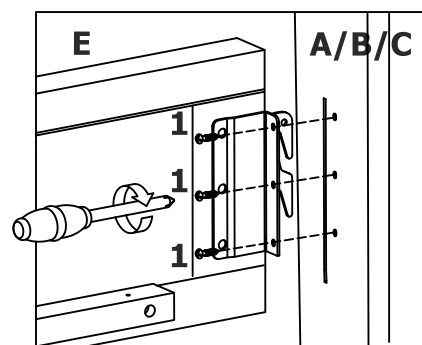


STEP 1 :
USE HEADBOARD HARDWARE PACKED IN BOX #1
FOR STEP 1.

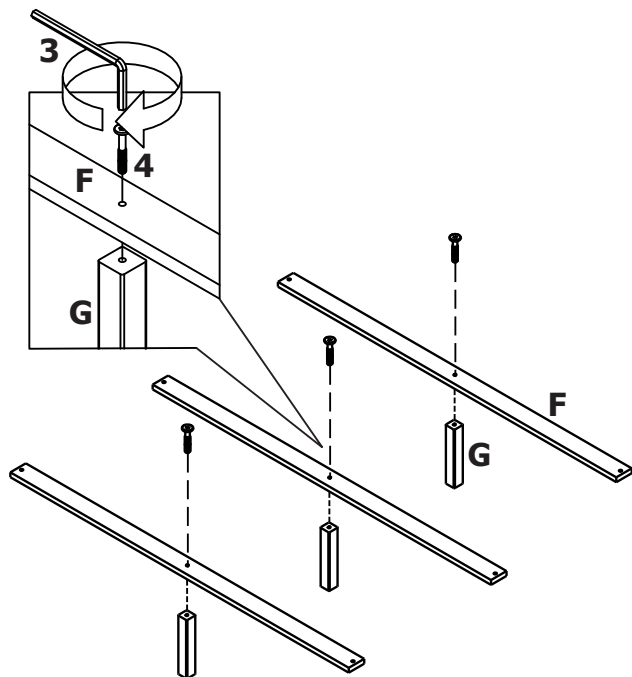
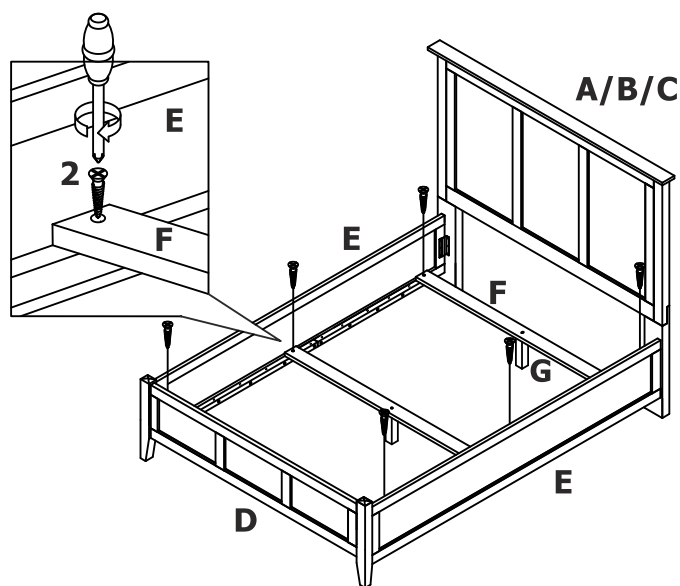


STEP 2 :
USE BED HARDWARE PACKED IN BOX #2 FOR STEP 2
AND ALL REMAINING STEPS.



STEP 3 :**STEP 4 :****STEP 5 :****STOP**

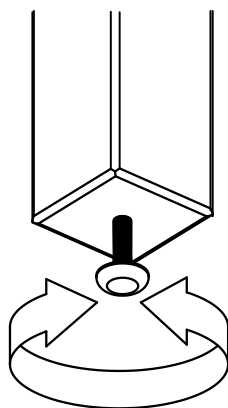
- IF USING BED FRAME WITH ADJUSTABLE MATTRESS BASE, SKIP TO APPENDIX A: ADJUSTABLE MATTRESS BASE ASSEMBLY SUPPLEMENT.
- IF USING BED FRAME WITH STANDARD BOX SPRING OR FOUNDATION CONTINUE TO STEP 6.

STEP 6 :**STEP 7 :****INSTRUCTIONS FOR ADJUSTING LEVELERS :**

POSITION THE BED IN YOUR ROOM. LOCATE LEVELERS UNDER EACH SUPPORT LEG (G).

TURN LEVELERS COUNTER-CLOCKWISE TO EXTEND, CLOCKWISE TO RETRACT.

ADJUST LEVELERS UNTIL EACH SUPPORT LEG IS APPLYING EQUAL UPWARD PRESSURE ON THE BED SLAT.

**MAINTENANCE INSTRUCTIONS :**

- REMOVE BOX SPRING AND MATTRESS BEFORE MOVING YOUR BED.
- LIFT YOUR BED WHEN MOVING IT. DRAGGING CAN DAMAGE SUPPORT LEG.
- READJUST LEVELERS AFTER MOVING YOUR BED.

FULL/QUEEN BED

APPENDIX A: ADJUSTABLE MATTRESS BASE ASSEMBLY SUPPLEMENT

AN ADJUSTABLE MATTRESS BASE IS A FREESTANDING MATTRESS SUPPORT THAT SITS WITHIN THE PERIMETER OF THE BED FRAME.

IF USING THIS BED FRAME WITH A STANDARD BOX SPRING OR FOUNDATION THESE INSTRUCTIONS DO NOT APPLY.

PRE-ASSEMBLED SIDE RAIL CLEATS OBSTRUCT ADJUSTABLE BASE INSTALLATION AND OPERATION. FOLLOW THESE INSTRUCTIONS TO REMOVE THEM.

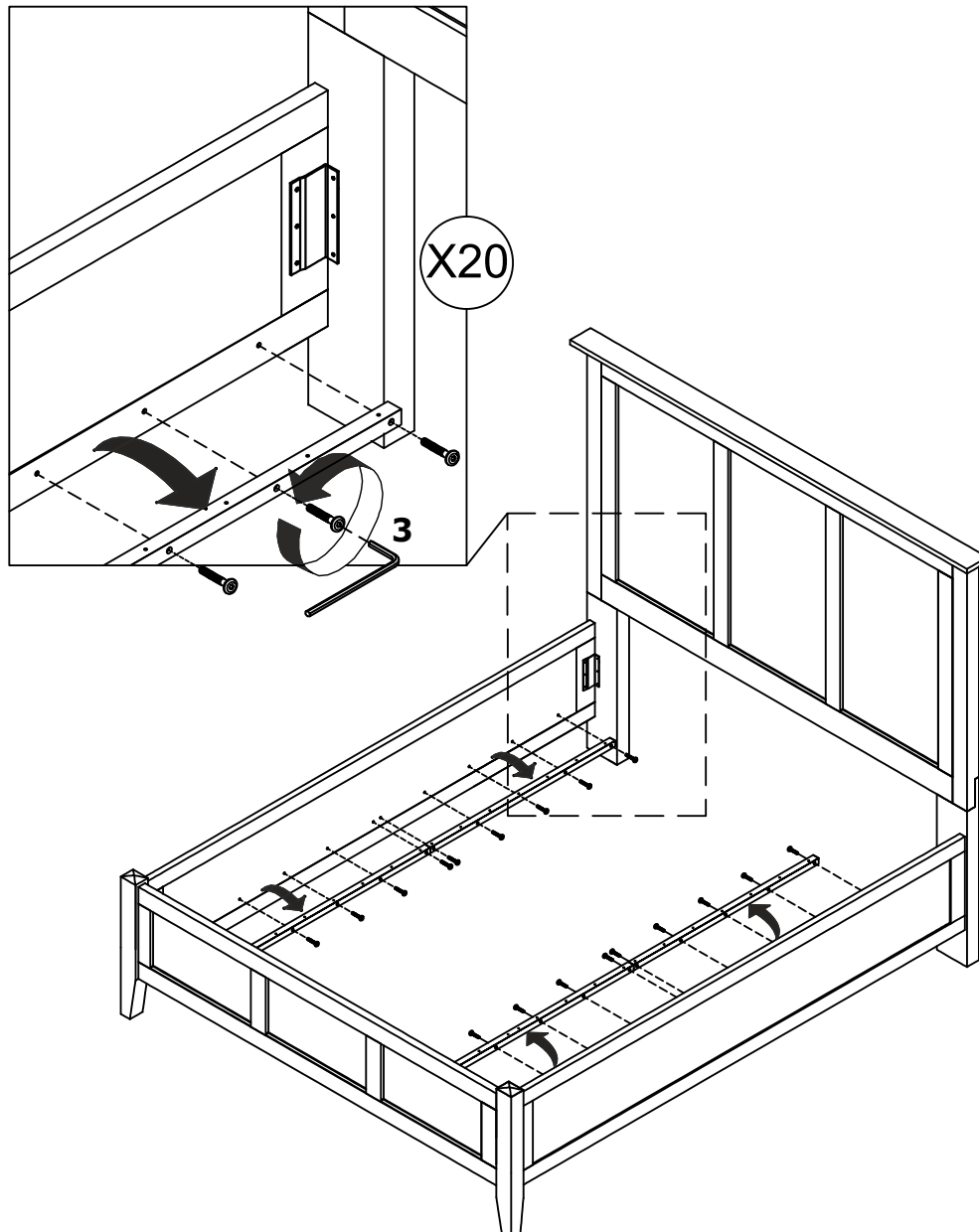
THE FOLLOWING PARTS ARE NOT REQUIRED FOR ADJUSTABLE MATTRESS BASE INSTALLATION:

F. BED SLAT 3 PCS
G. SUPPORT LEG 3 PCS

2. WOOD SCREW (8x30mm) 7 PCS
4. ALLEN BOLT (6x40mm) 4 PCS

STEP 1 :

USE ALLEN KEY (3) TO UNSCREW ALLEN BOLTS AND REMOVE PRE-ASSEMBLED SIDE RAIL CLEATS.



NOTE: YOU MAY WISH TO RETAIN UNUSED PARTS IF IN THE FUTURE YOU INTEND TO USE THE BED FRAME WITH A STANDARD BOX SPRING OR FOUNDATION.