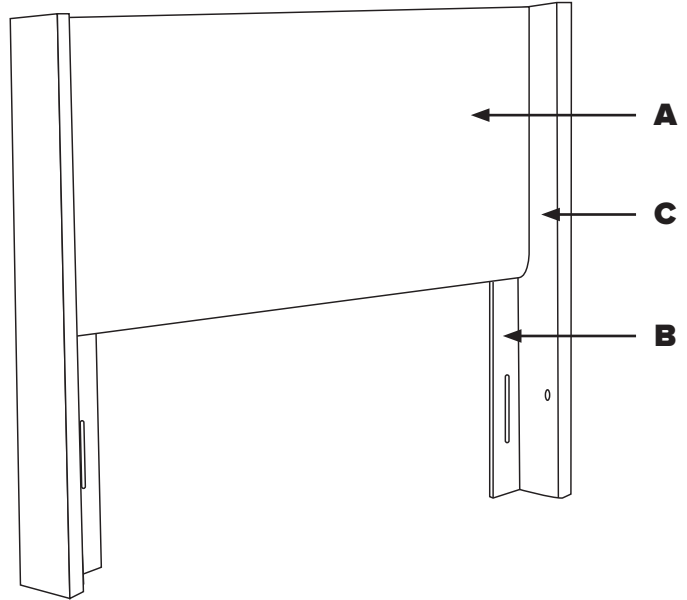


# WINGBACK HEADBOARD ASSEMBLY

## COMPONENTS

| ITEM     | DESCRIPTION   | QTY |
|----------|---------------|-----|
| <b>A</b> | Headboard     | 1   |
| <b>B</b> | Headboard Leg | 2   |
| <b>C</b> | Wing          | 2   |

*Please note: actual headboard may look different than illustration.*



## HARDWARE



**(H1)** x 8  
2" x 5/16" bolt



**(H2)** x 26  
1 1/4" washer



**(H3)** x 4  
5/8" x 5/16" bolt



**(H4)** x 4  
1 x 1/4" bolt



**(H5)** x 4  
1/4" nuts

*Please note: you will need a flat head screwdriver and a wrench to assemble your headboard.*

### LIMITED WARRANTY

We guarantee our upholstered furniture against defects in construction for a period of one (1) year. When a structural defect is brought to our attention, we will repair or replace it at our option at no charge to the customer (includes parts and labor, not transportation costs). Fabric wearability for upholstered furniture is not covered by the warranty. Vacuum for regular cleaning.

PLEASE DISPOSE OF PLASTIC BAG(S) AND CARTON(S) RESPONSIBLY.

### LIMITE DE GARANTIA

Nosotros garantiza sus muebles tapizados contra defectos en construcción por un periodo de un (1) año. Cuando un problema de estructura es traído a nuestra atención, nosotros repararemos o remplazaremos sin ningún cargo a nuestro cliente (incluye partes y trabajo, no costo en transportación). Descoloramiento del material de muebles tapizados no es cubierto por la garantía. Regularmente puede aspirar.

POR FAVOR TIRAR BOLSA(S) Y CAJA(S) RESPONSABLEMENTE.

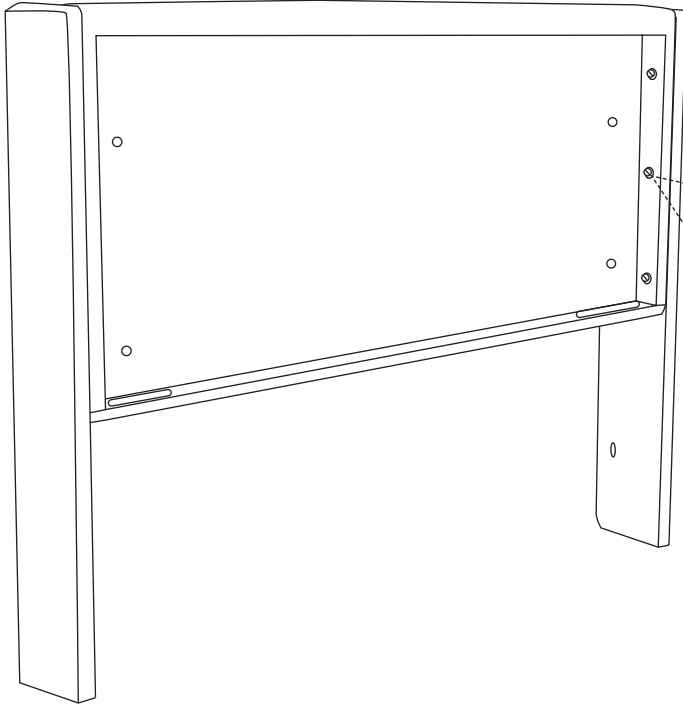
### GARANTIE LIMITÉE

Nous garantis ses meubles rembourrés contre les défauts de construction pendant une période d'un (1) an. Lorsqu'un vice de construction nous est signalé, nous réparons ou remplaçons le meuble, selon notre choix, sans frais pour le client (incluant les pièces et la main-d'oeuvre, mais excluant les frais de transport). La durabilité du tissu des meubles rembourrés n'est pas couverte par la garantie. Nettoyer régulièrement avec un aspirateur.

VEUILLEZ JETER LE OU LES SAC(S) EN PLASTIQUE ET BOÎTE(S) DE FAÇON RESPONSABLE.

# WINGBACK HEADBOARD ASSEMBLY

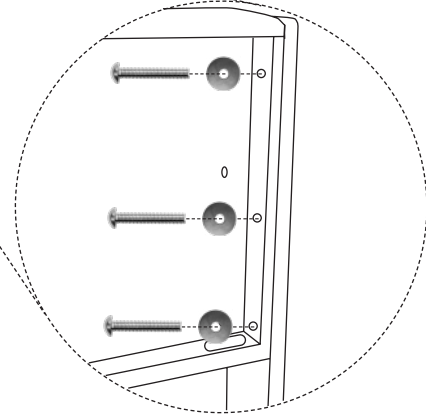
## STEP 1 - ATTACHING THE WINGS



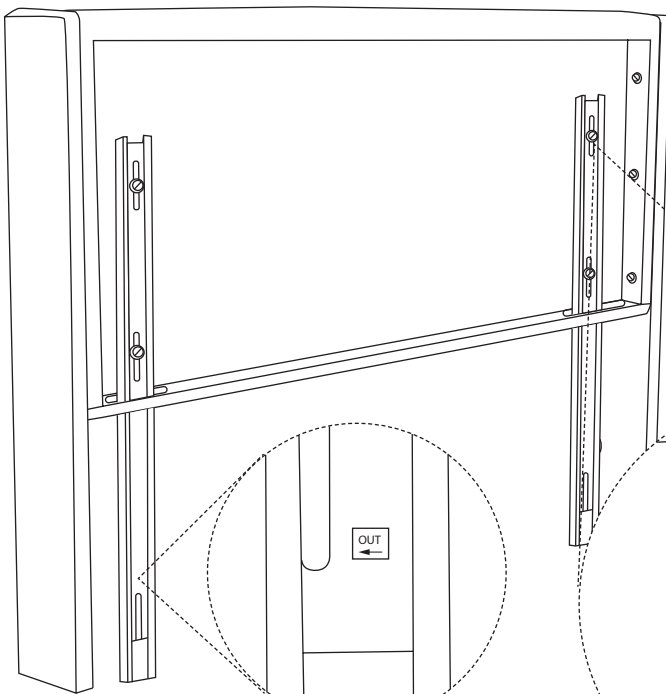
### 1.1

Attach (C) wing to (A) headboard using (H1) bolts and (H2) washer. Tighten using flat head screwdriver.

*Please note: Make sure the top of the (A) headboard is level with the top of the (C) wings before tightening.*



## STEP 2 - ATTACHING THE HEADBOARD LEGS



### 2.1

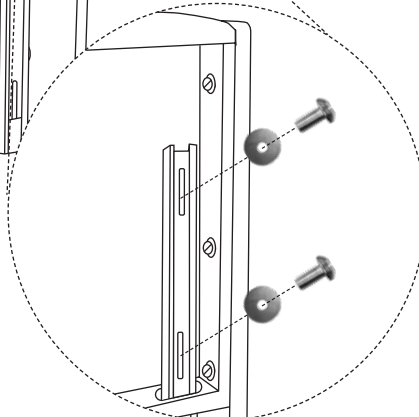
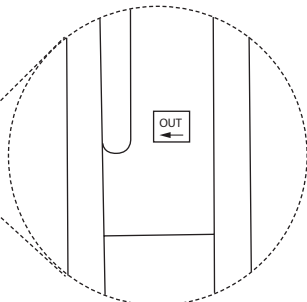
Insert (B) headboard leg through hole of (A) headboard and align the slots with the holes.

*Please note: Make sure the "Out" sticker on each (B) headboard leg is facing the correct way.*

### 2.2

Attach (B) headboard legs to (A) headboard using (H3) bolts and (H2) washers. Tighten with a flat head screwdriver.

*Please note: Make sure the (B) headboard legs are flush with the ground before tightening.*



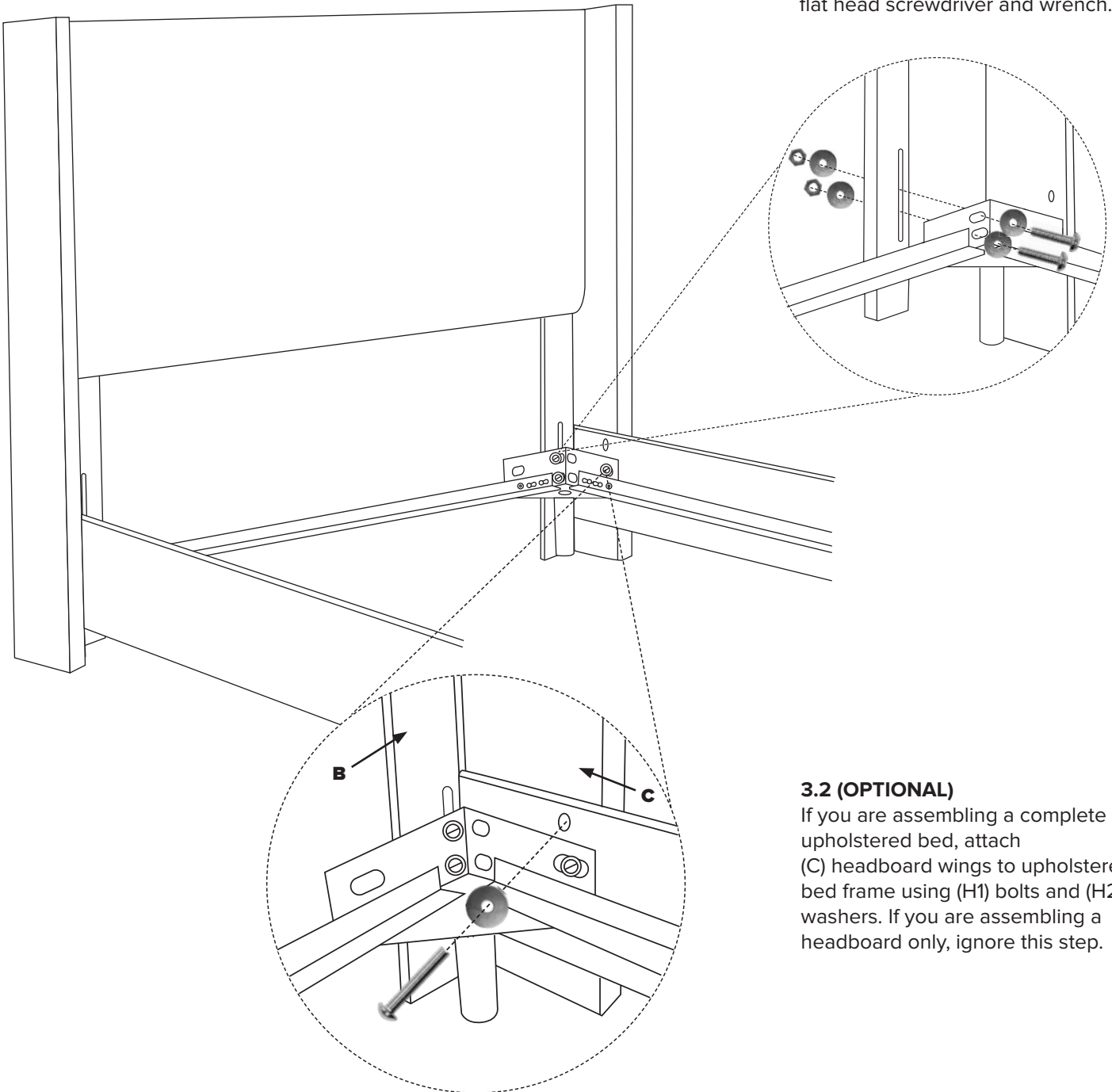
# WINGBACK HEADBOARD ASSEMBLY

## STEP 3 - ATTACHING ASSEMBLED HEADBOARD TO BED FRAME

---

### 3.1

Attach assembled headboard to your bed frame using (H4) bolts, (H2) washers and (H5) nuts. Tighten with a flat head screwdriver and wrench.



### 3.2 (OPTIONAL)

If you are assembling a complete upholstered bed, attach (C) headboard wings to upholstered bed frame using (H1) bolts and (H2) washers. If you are assembling a headboard only, ignore this step.