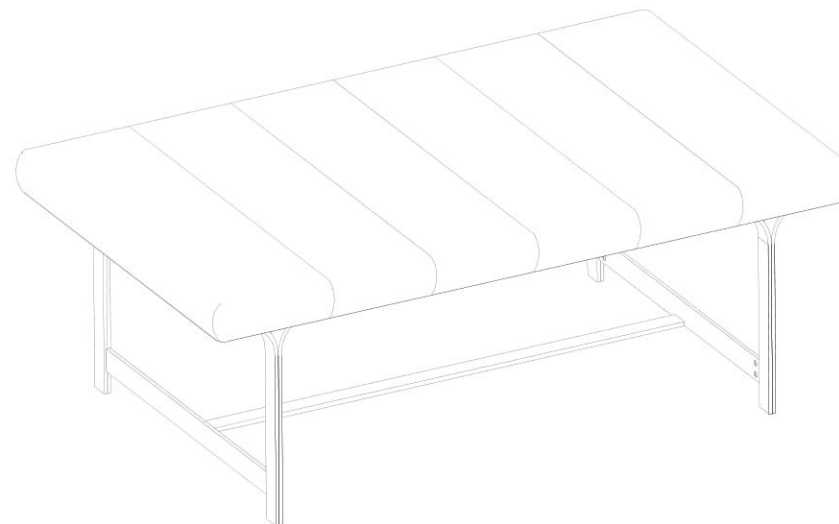


Coffee Table



> > assembly instructions

Congratulations on your latest purchase.

Now what? Don't start sweating over this box of parts. This will be easy. We did the hard work for you. All you need to do is follow our simple instructions and you'll be on your way to transforming your room in no time. Good luck - though we're confident you won't need it.

before you begin

1. Customers can email
2. Use the carton as a working surface to prevent product damage during assembly.
3. Gather all tools prior to assembly.

assembly tips :

1. Remove hardware from box and sort by size.
2. Please check to see that all hardware and parts are present prior to start of assembly.
3. Please follow attached instructions in the same sequence as numbered to assure fast & easy assembly.

warning:

1. Don't attempt to repair or modify parts that are broken or defective please contact our service department immediately.
2. This product is for home use only and not intended for commercial establishment.

table of contents

introduction	2
hardware	4
parts list	5
assembly	6-10

hardware

(F) x 20

bolt (3/8"



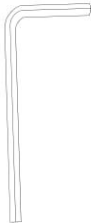
(G) x 8

bolt (9/16"



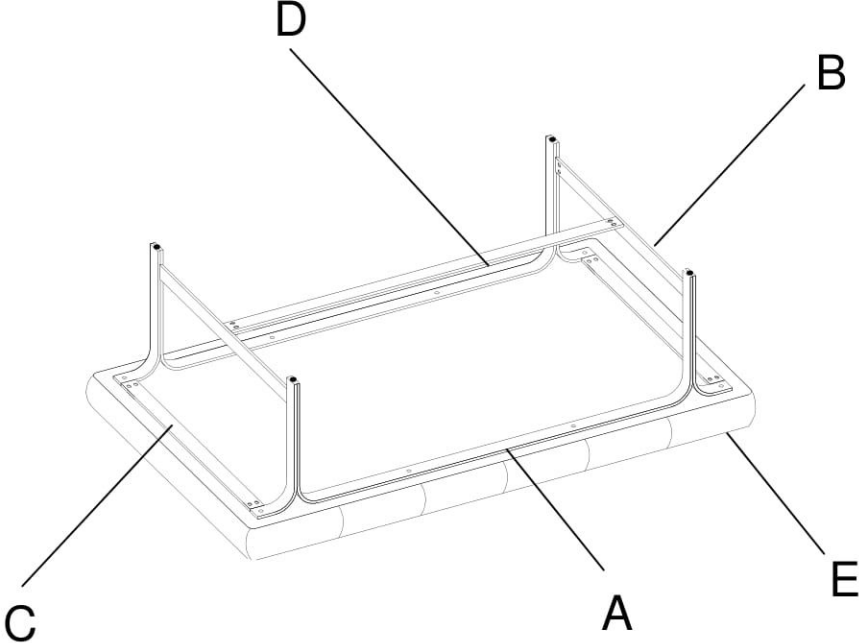
(H) x 1

Hex wrench



ITEM DESCRIPTION QUANTITY

A	"Y"metal part	2
B	Short support bar	2
C	Support bar	2
D	Long support bar	1
E	Seat cushion	1



step 1.

20% Tighten 

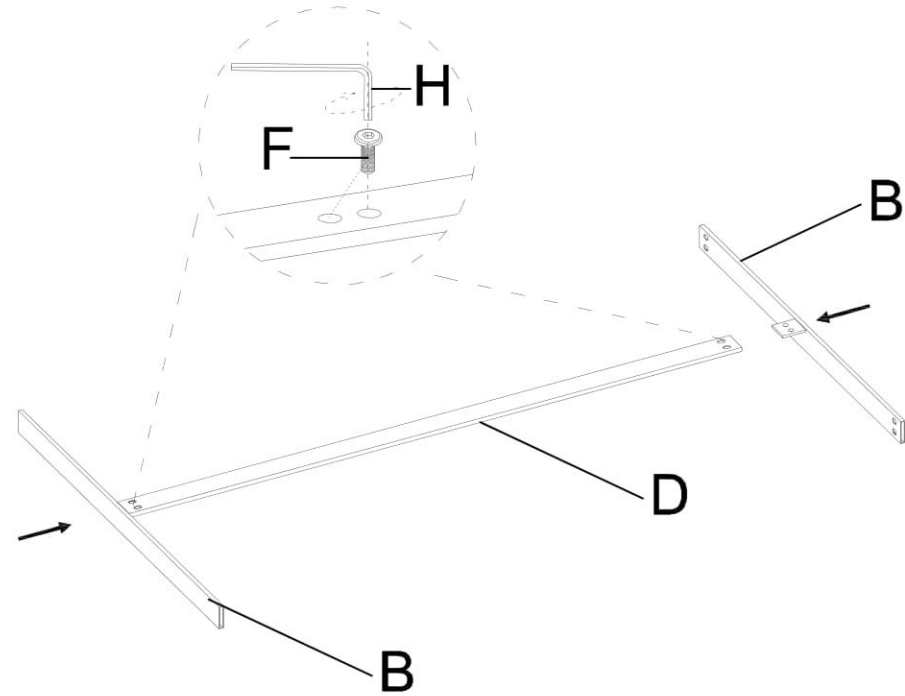
(F) x 4

bolt (3/8"



(H) x 1

Hex wrench

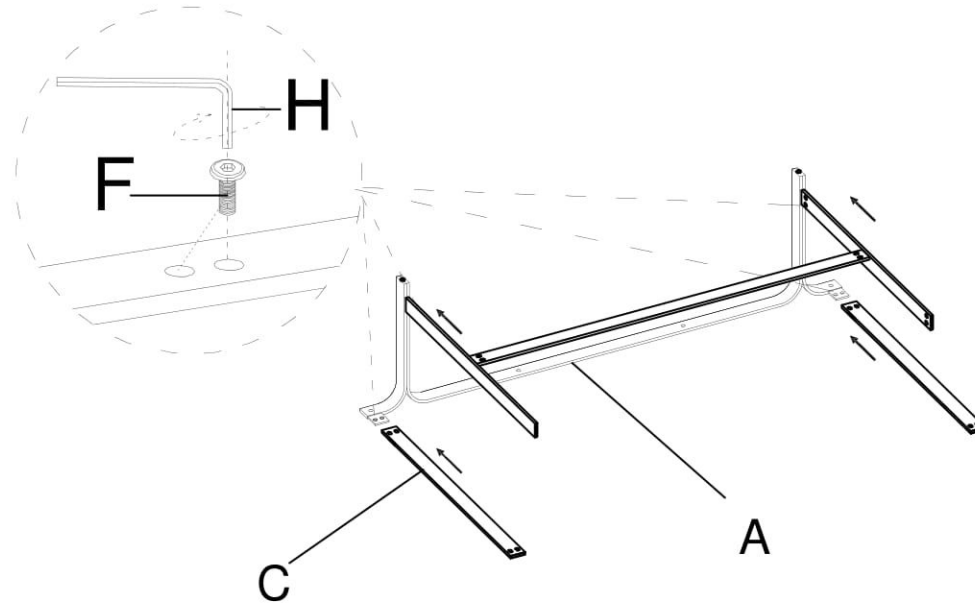


Assemble the bench on soft, scratch-free surface such as a carpet or a rug.

1. Fasten the short support bar (B), to long support bar (D), using bolts (F) and hex wrench (H).

step 2.

20% Tighten 



(F) x 8

bolt (3/8"



(H) x 1

Hex wrench

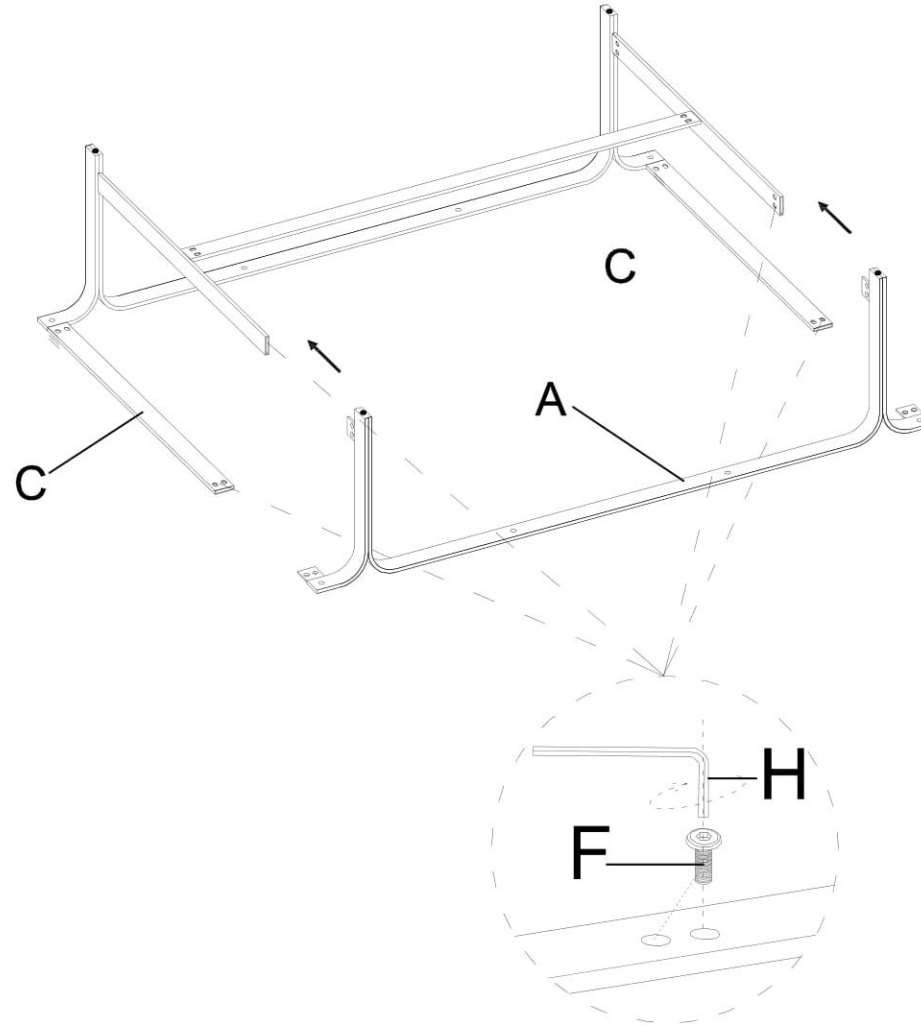


Assemble the bench on soft, scratch-free surface such as a carpet or a rug.

1. Fasten the support bar (C) to "Y" material part (A) using bolts (F) and hex wrench (H).

step 3.

20% Tighten 



(F) x 8

(H) x 1

bolt (3/8"

Hex wrench



Assemble the bench on soft, scratch-free surface such as a carpet or a rug.

1. Fasten the "Y" material part (A) to support bar (C) using bolts (F) and hex wrench (H).

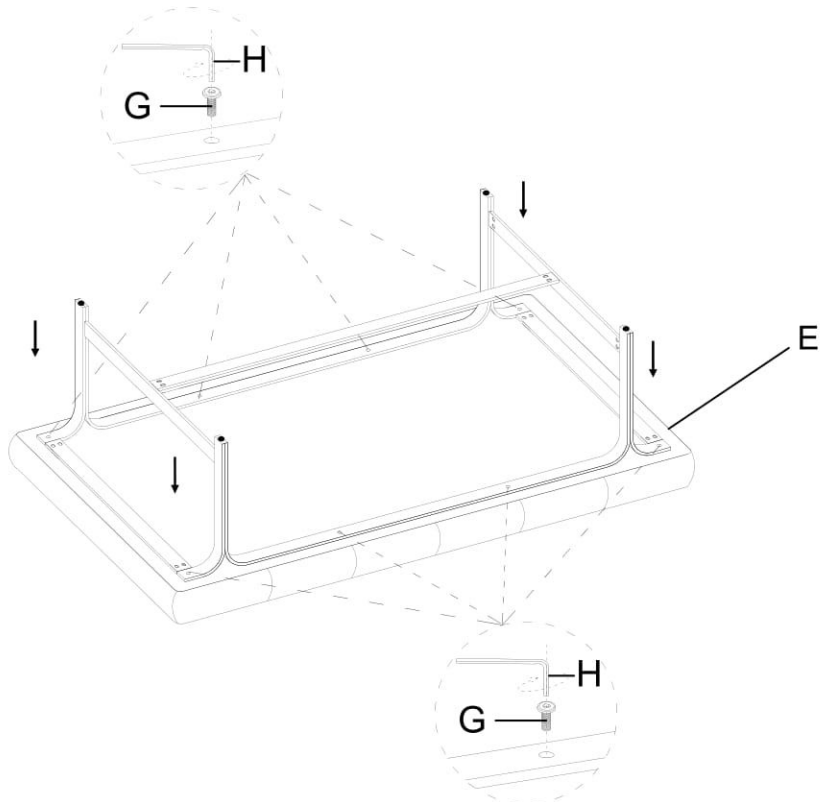
step 4.

20% Tighten 

(G) x 8
bolt (9/16")



(H) x 1
Hex wrench

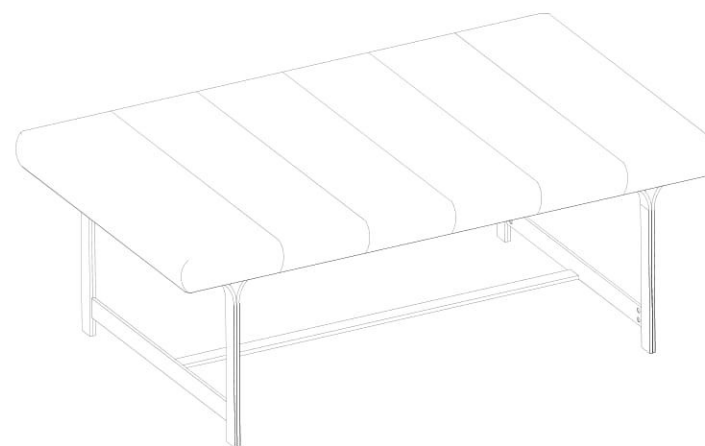
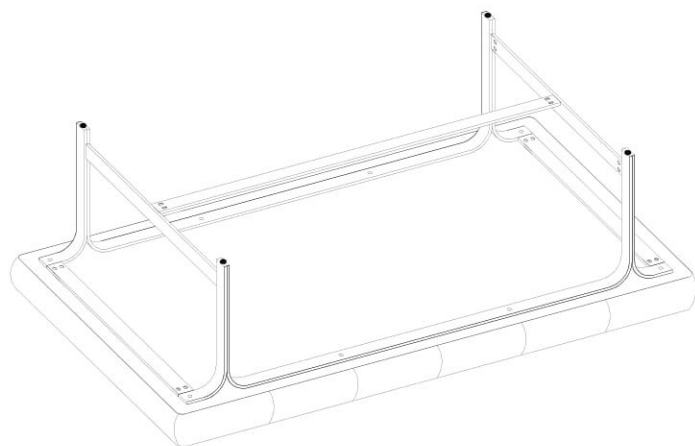


1. Atch the iron stand, to seat cushion (E), using bolts (G) with hex wrench (H).

Additional note about safety: Bolts may loosen during normal everyday use. They should be periodically inspected and re-tightened to prevent damage or injury. Always check to be sure that all hardware is kept tightened.

step 5.

100% Tighten ↻



Please continue to tighten these bolts .