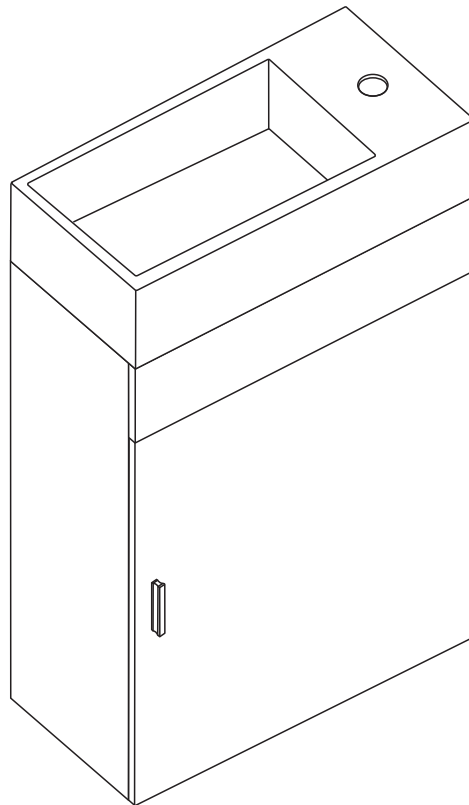


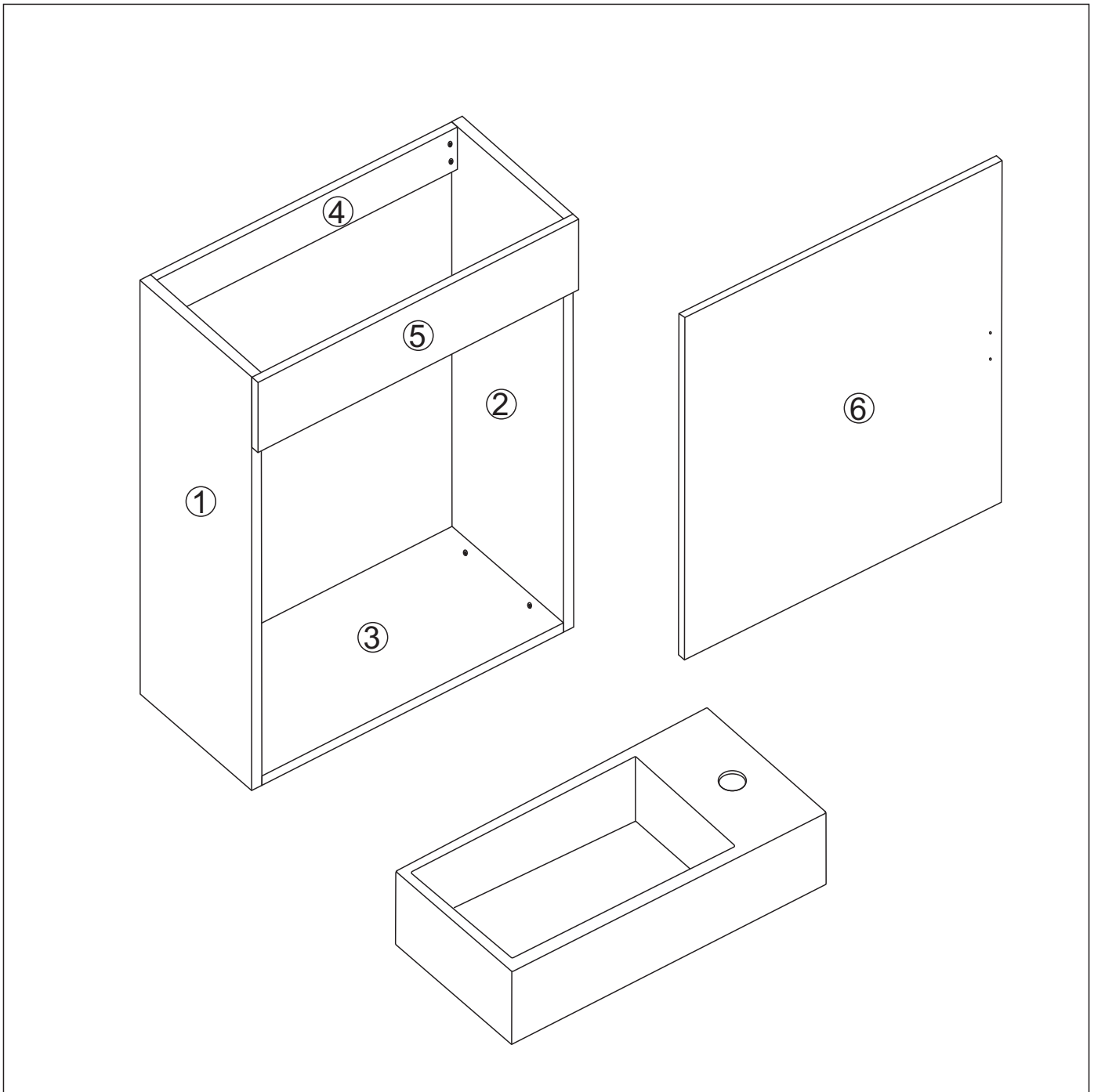
# Bathroom cabinet sample



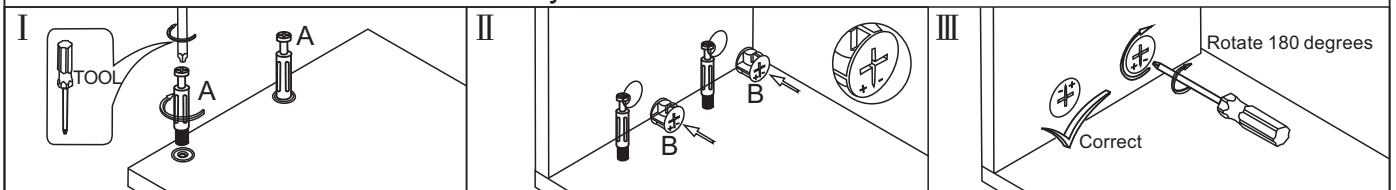
L800\*W480\*H415MM







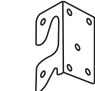


## Installation Instructions

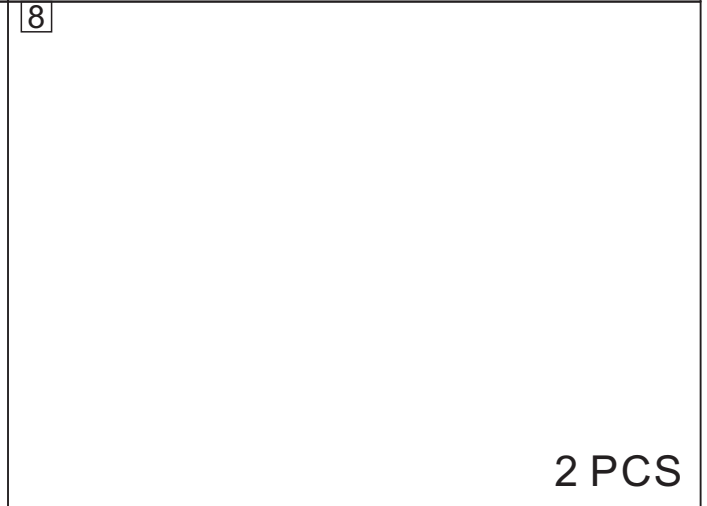
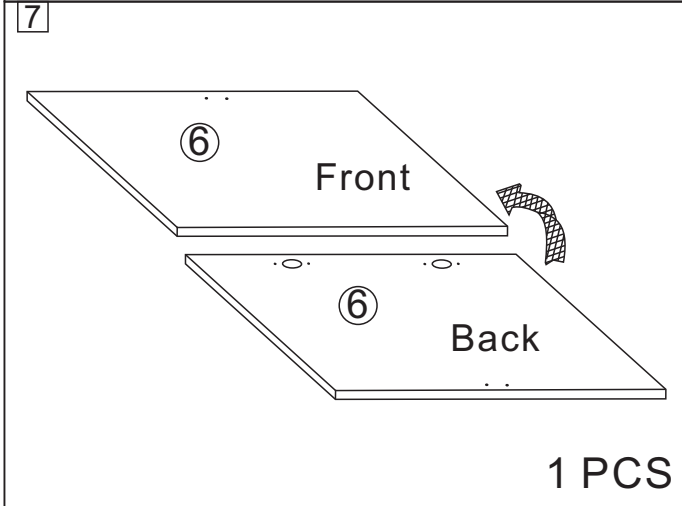
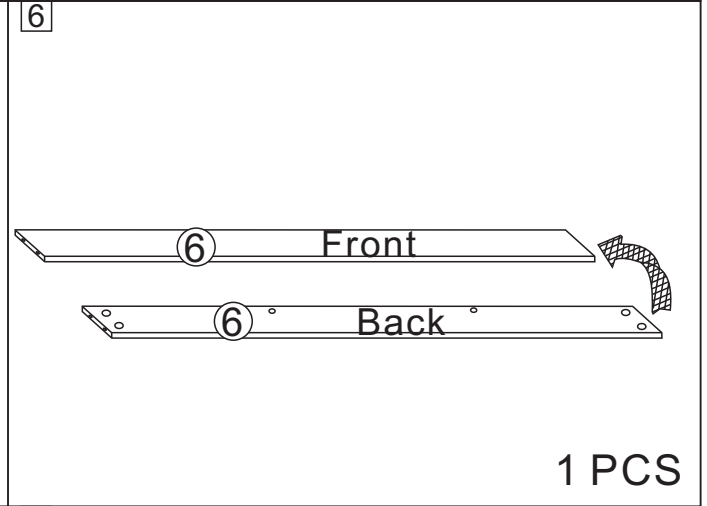
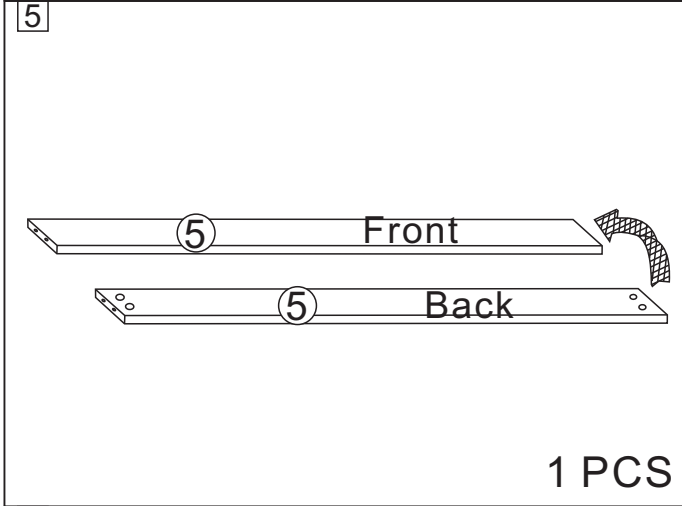
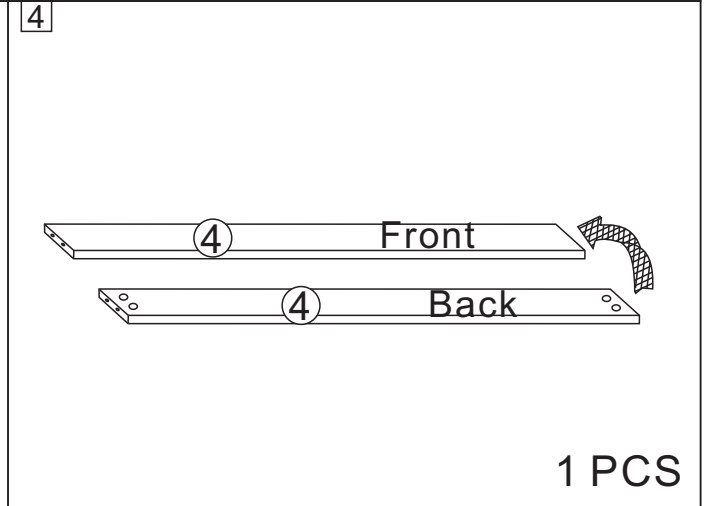
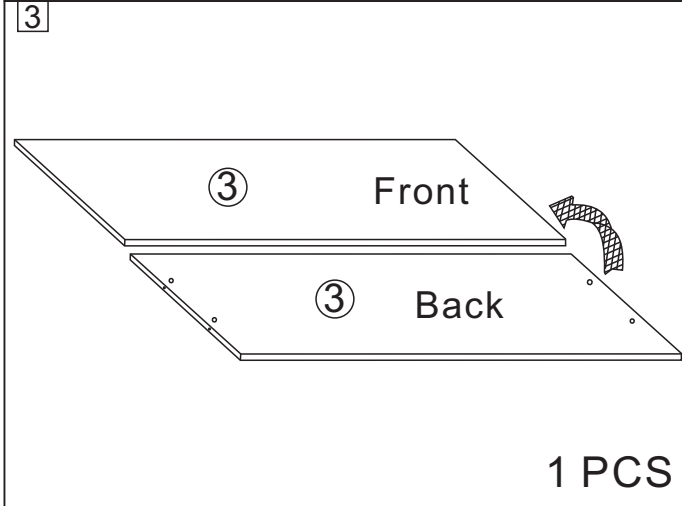
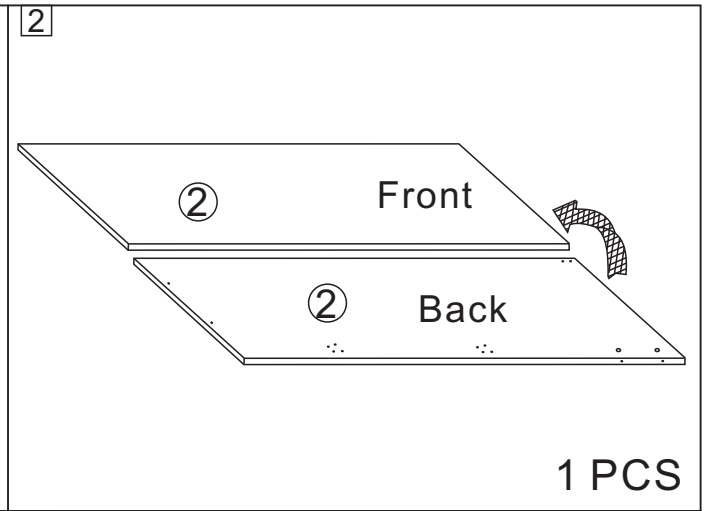
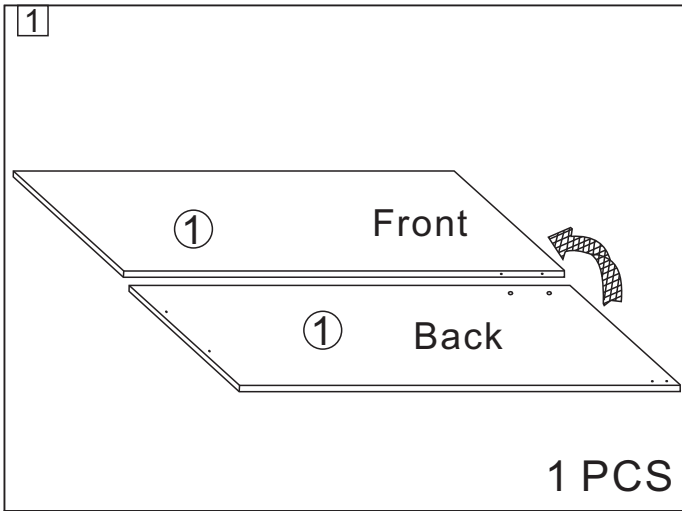
**Notes: Don't tighten screws completely at first, just in case parts were assembled wrongly and need disassemble. Tighten screws at last when all parts are put together.**



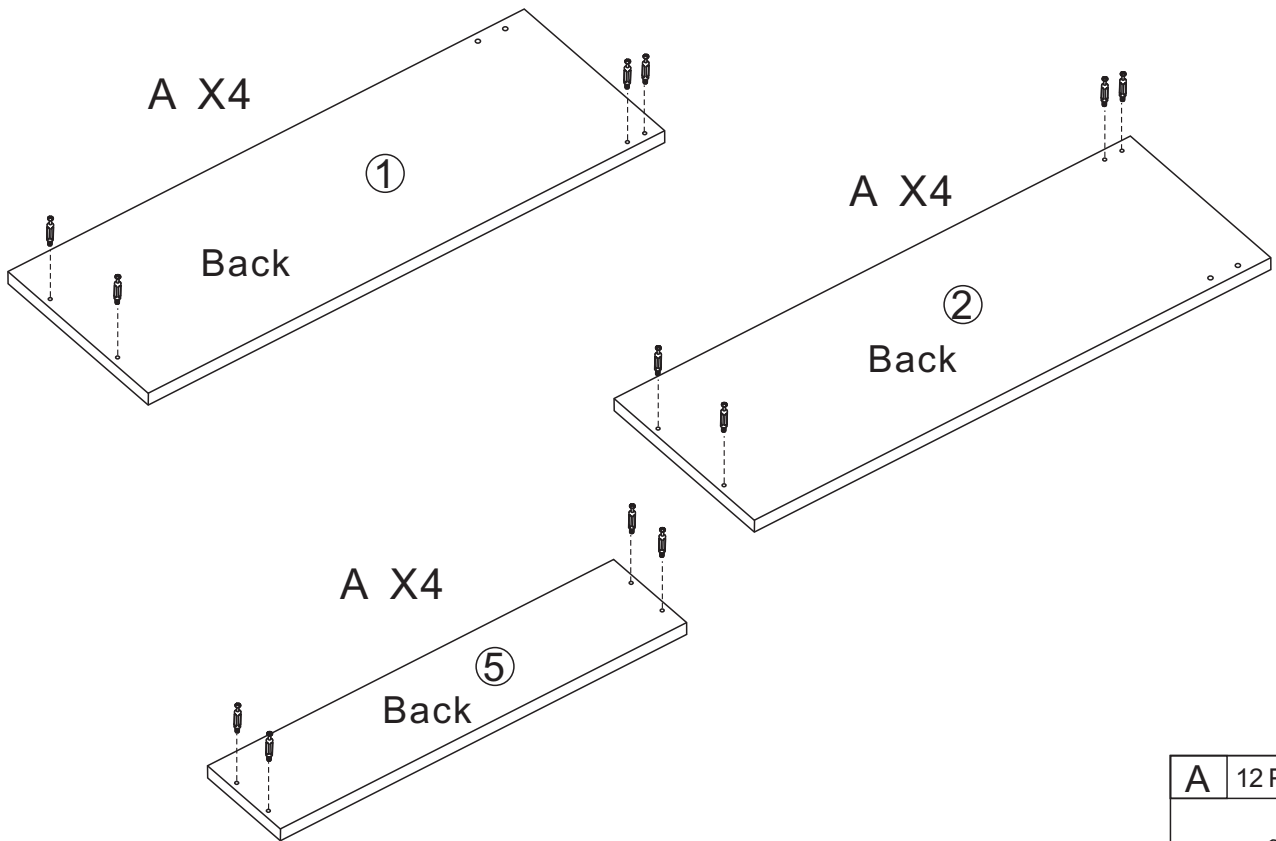
Disassembly and installation of accessories



<b>A</b> 12 PCS	<b>B</b> 12PCS	<b>C</b> 38 PCS	<b>D</b> 2 PCS	<b>E</b> 1 PCS	<b>F</b> 4 SETS	<b>G</b> 2 PCS	<b>H</b> 2 PCS
		 3.5*14 mm	 4*18 mm		 Expansion screw		
<b>I</b> 2 PCS							
							



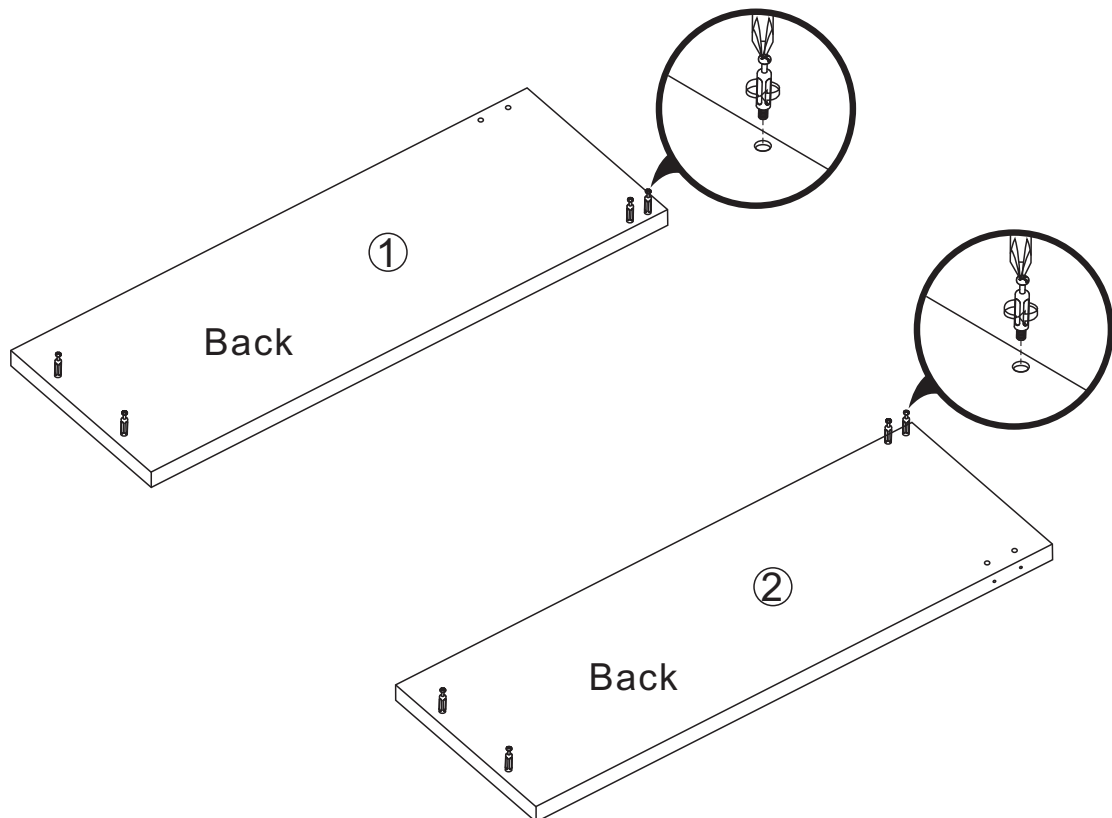
1



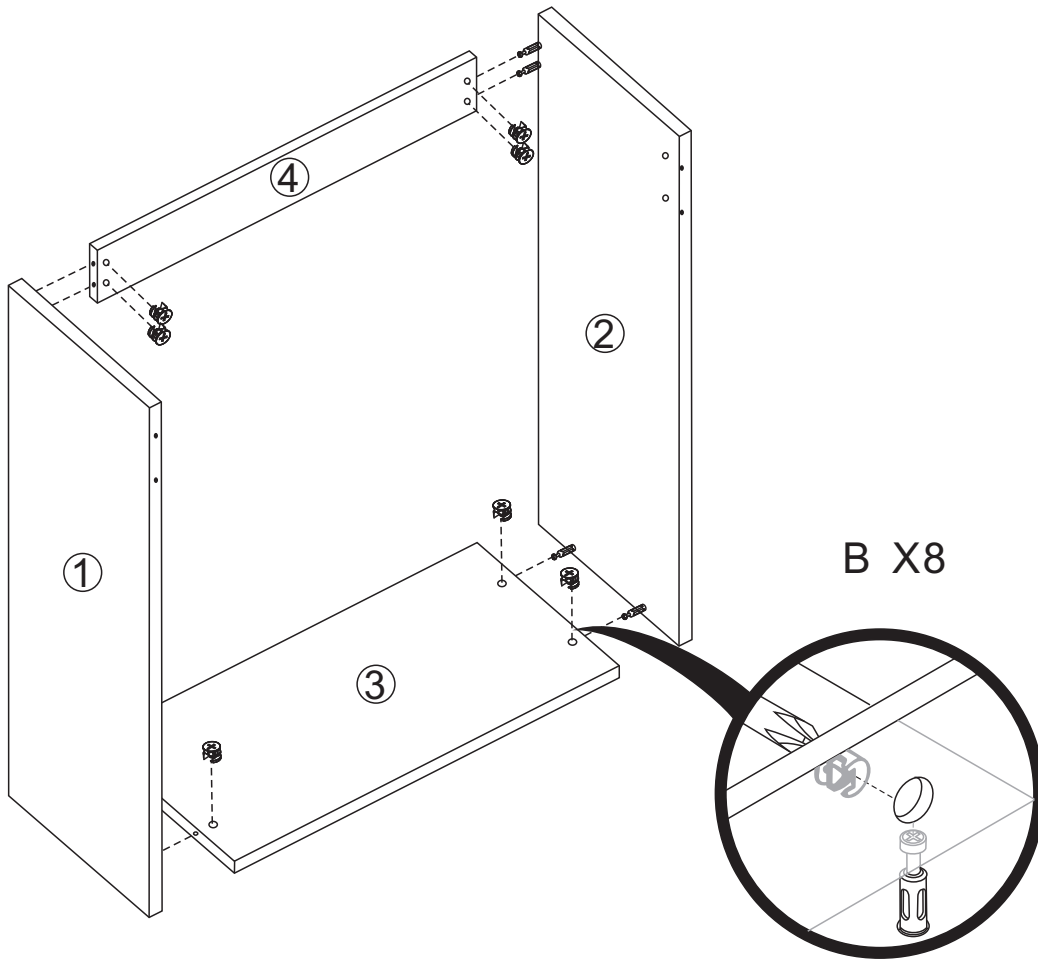
A 12 PCS



2

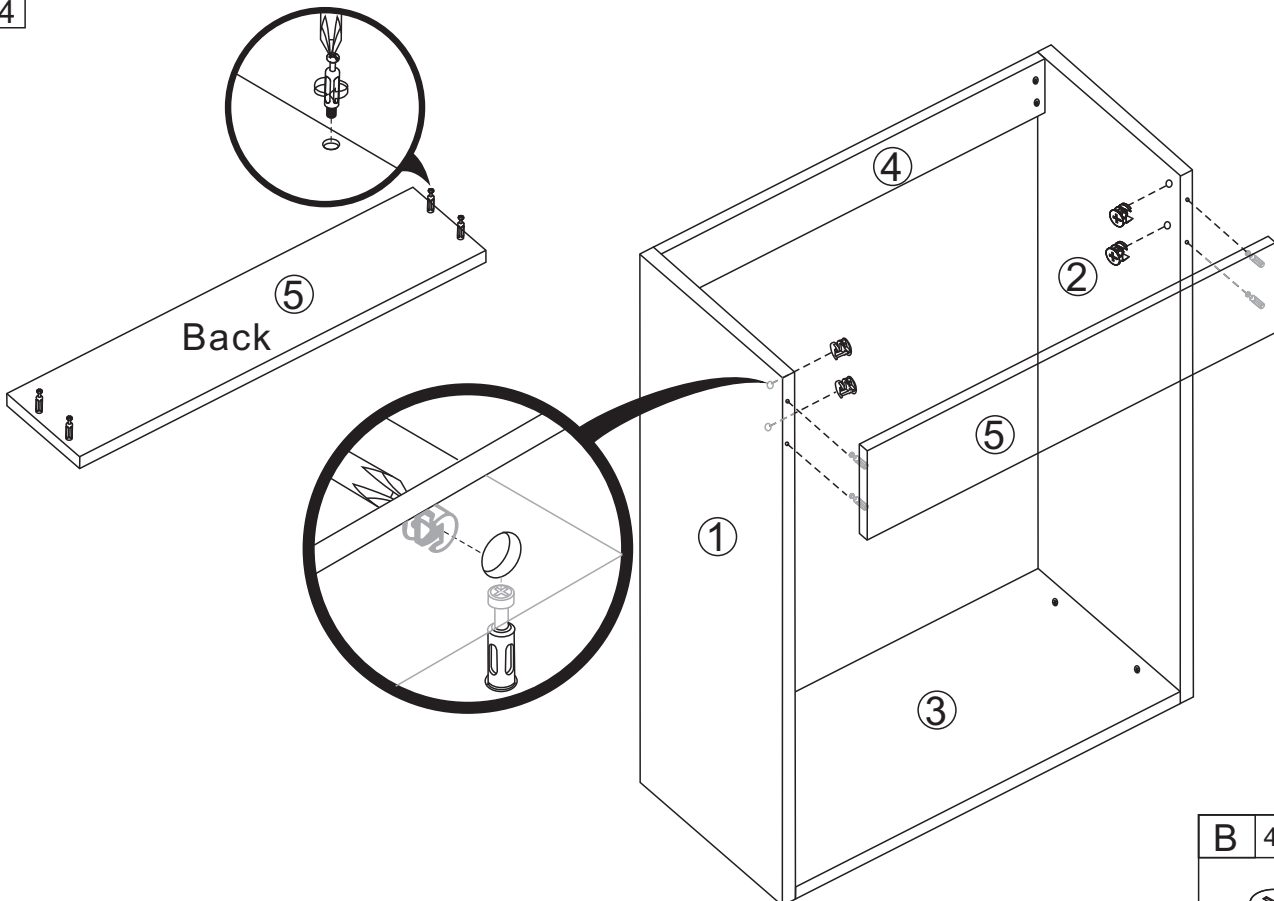


3



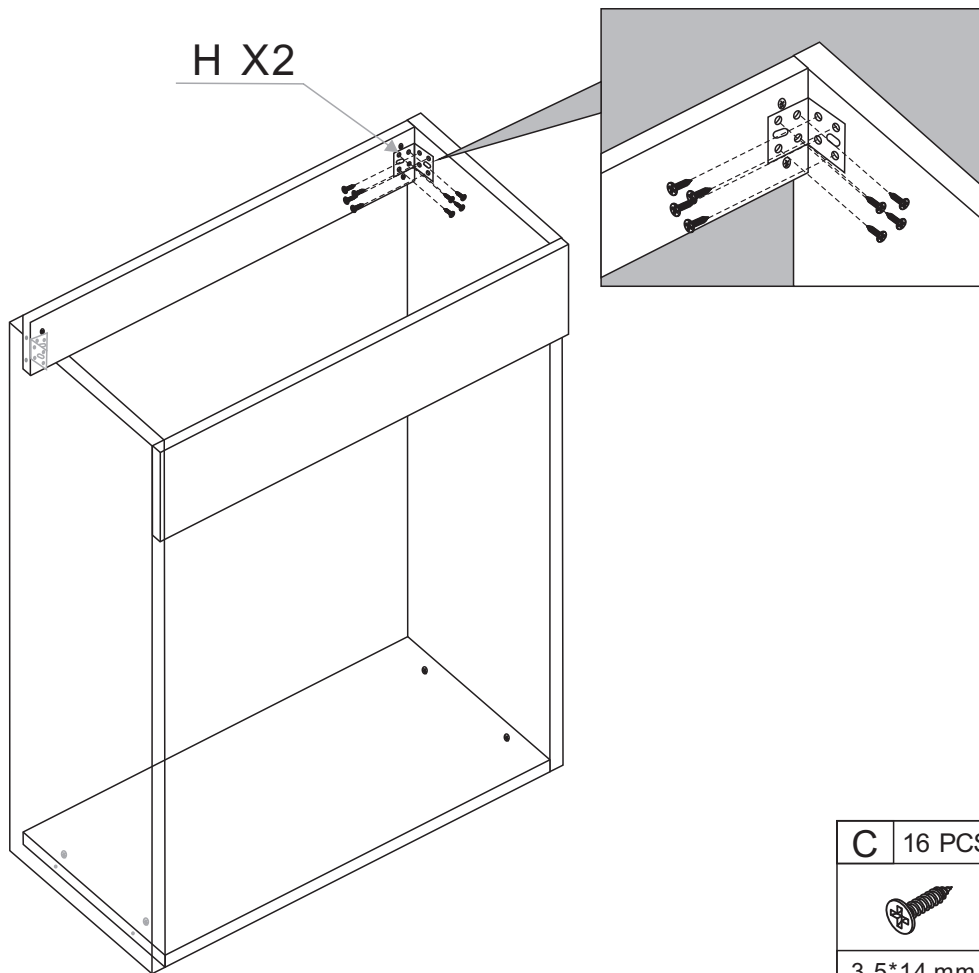
B	8 PCS


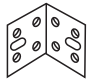
4



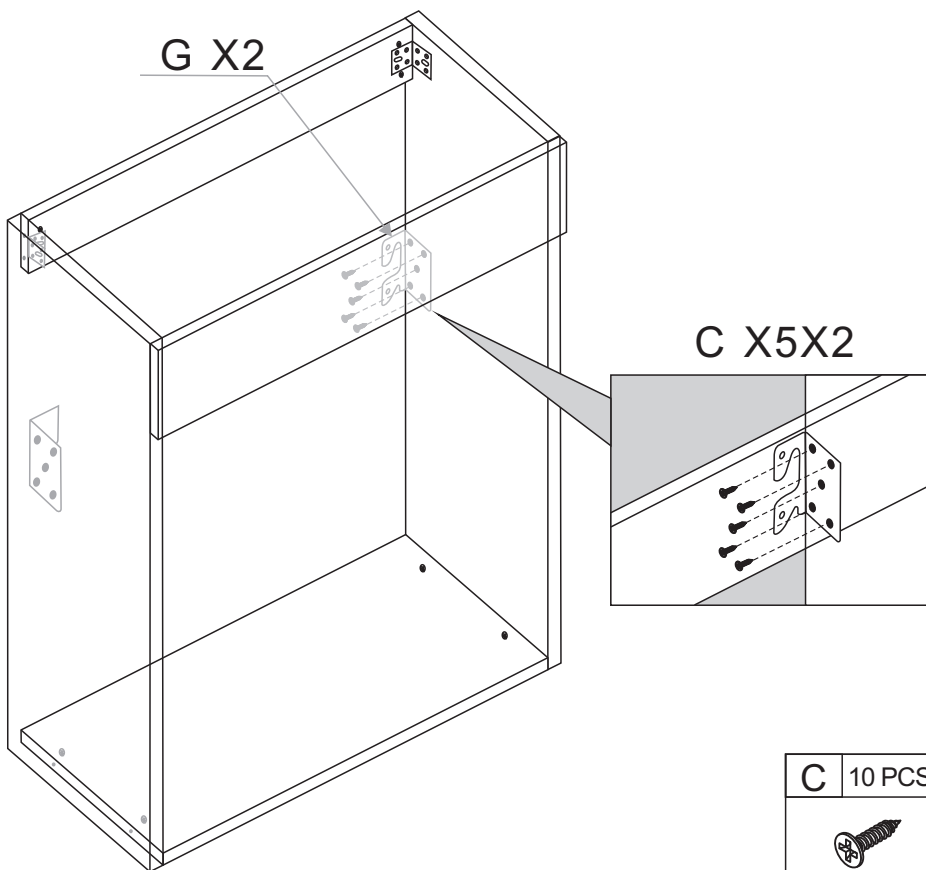
B	4 PCS



5

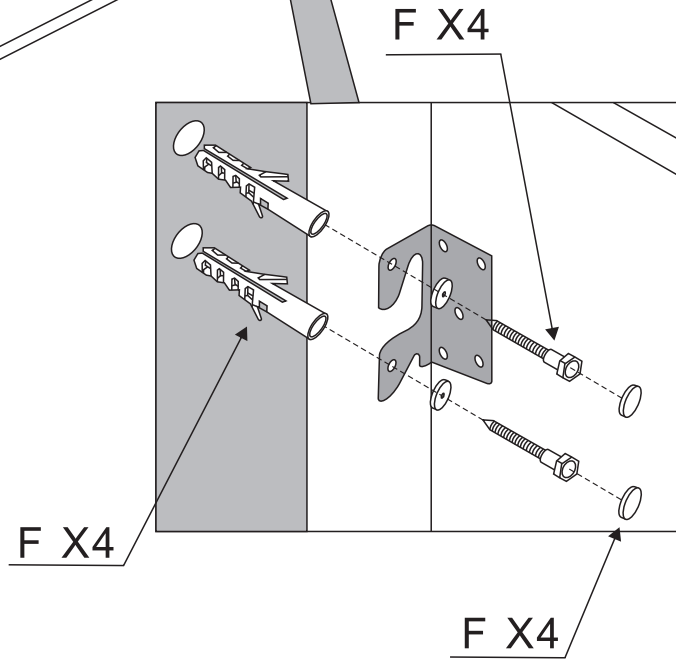
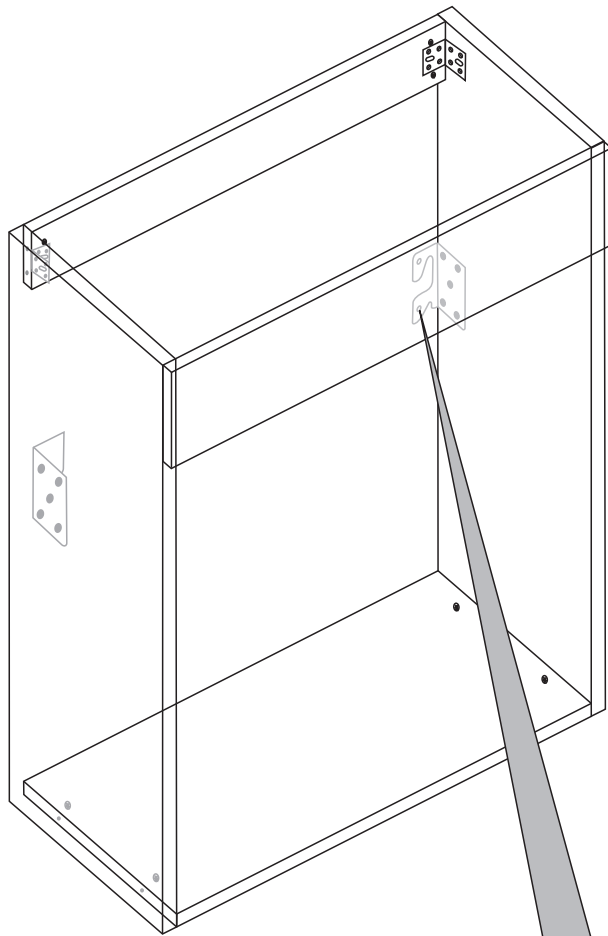
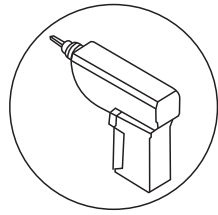


<b>C</b>	16 PCS	<b>H</b>	2 PCS
			
3.5*14 mm			

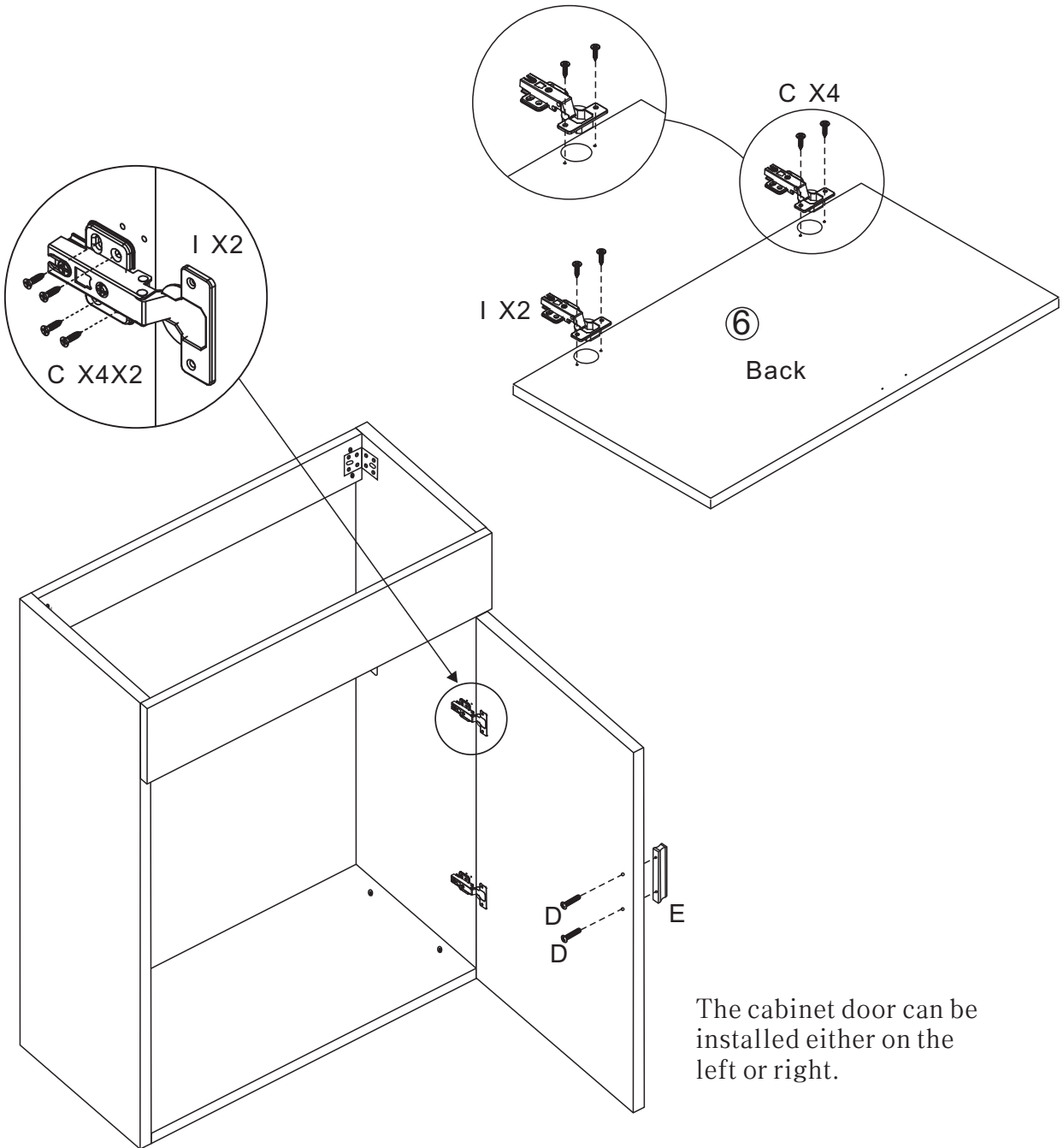
6



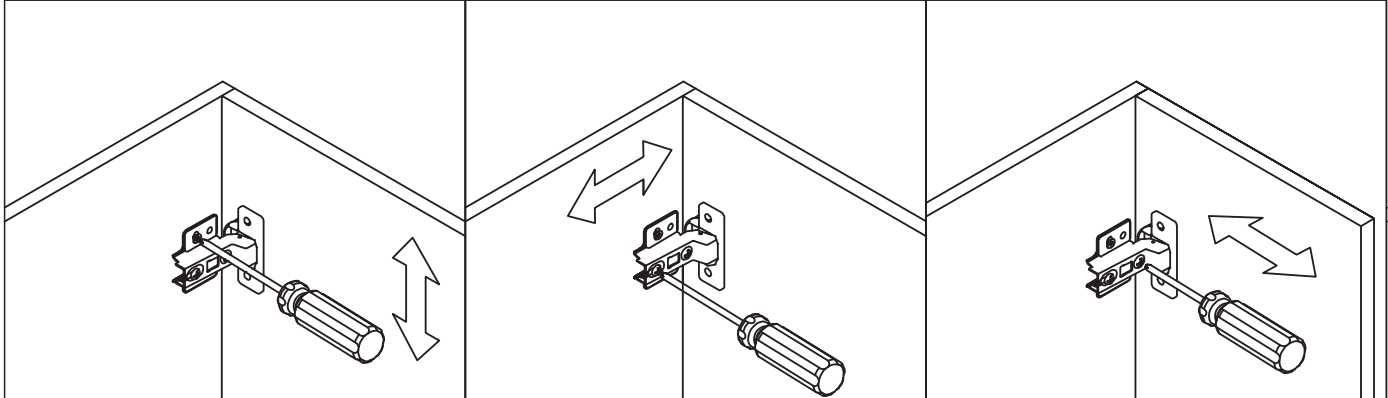
<b>C</b>	10 PCS	<b>G</b>	2 PCS
			
3.5*14 mm			







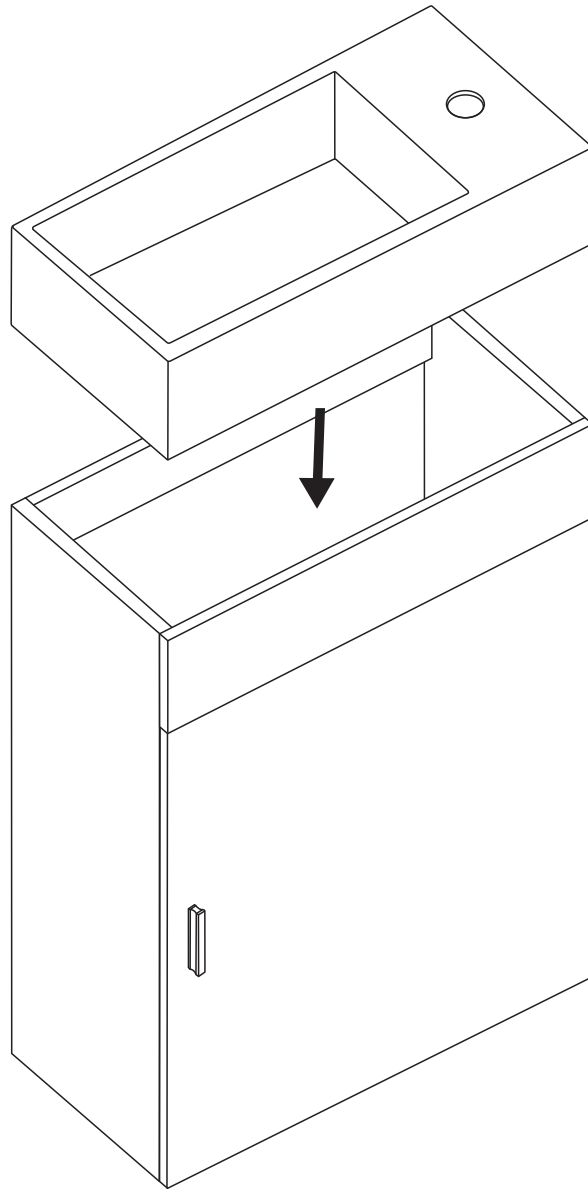
F	4 SETS
Expansion screw	



The cabinet door can be installed either on the left or right.



<b>C</b>	12 PCS	<b>D</b>	2 PCS	<b>E</b>	1 PCS	<b>I</b>	2 PCS
							
3.5*14 mm		4*18 mm					



OK