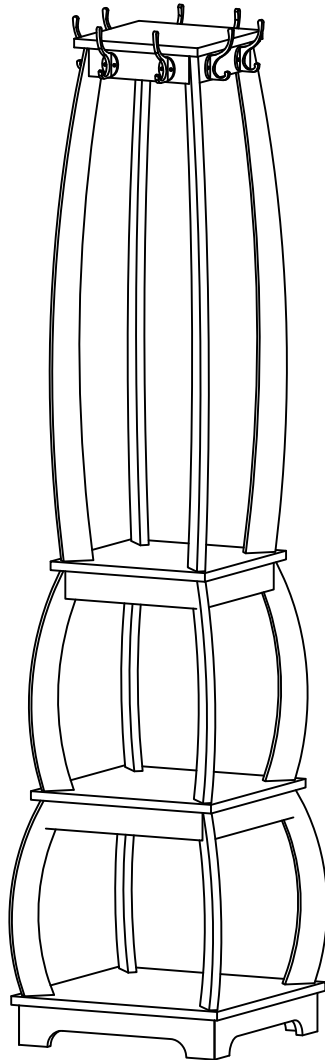
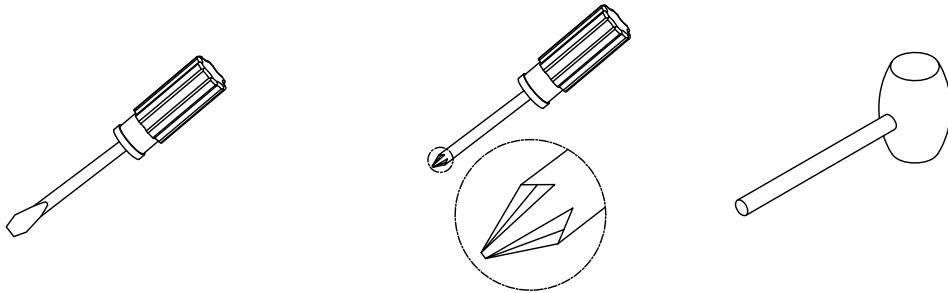


ASSEMBLY INSTRUCTIONS

Hat Rack

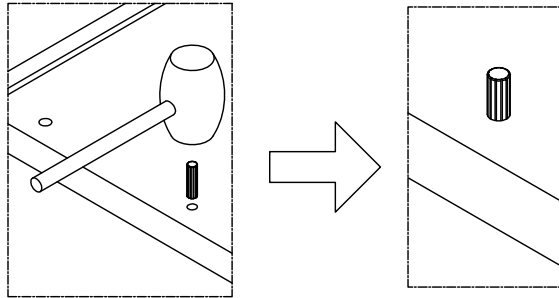


ASSEMBLY TOOLS REQUIRED (NOT INCLUDE)

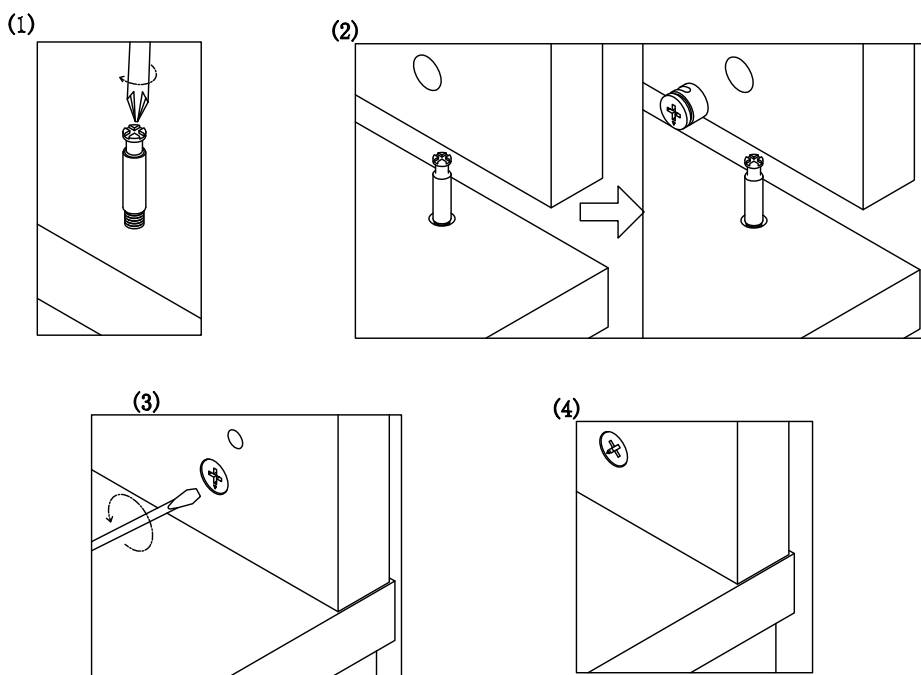


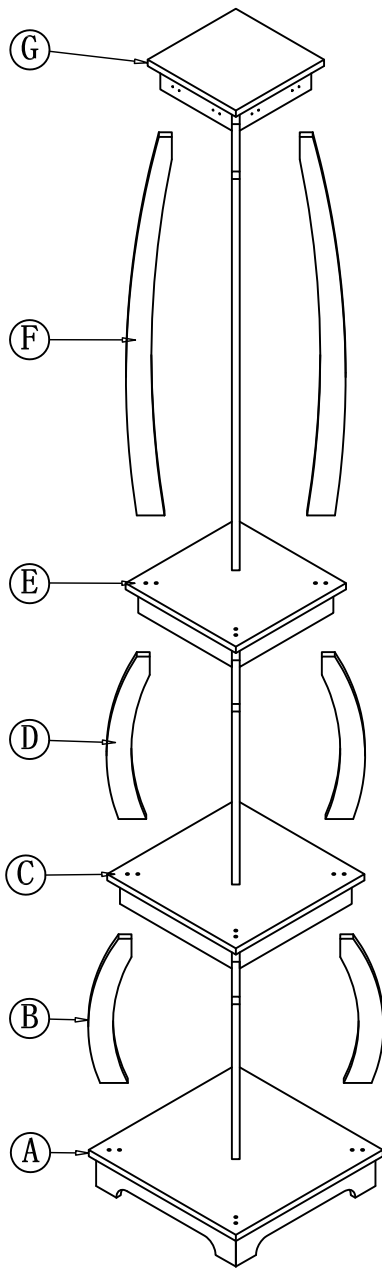
WOODEN DOWEL INSTALLATION PROCEDURE

Gently tap dowel into hole with rubber mallet



HIDEN CONNECTOR.....ASSEMBLY TECHNIQUES





PARTS LIST

(A)		1ps	(C)		1ps	(E)		1ps	(G)		1ps
(B)		4pcs	(D)		4pcs	(F)		4pcs			

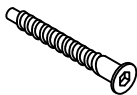
HARDWARE LIST

Hang lever



1
8pcs

Handle screw



2
ø7*38=25

Wood plug



3
ø6*30=12

Screw



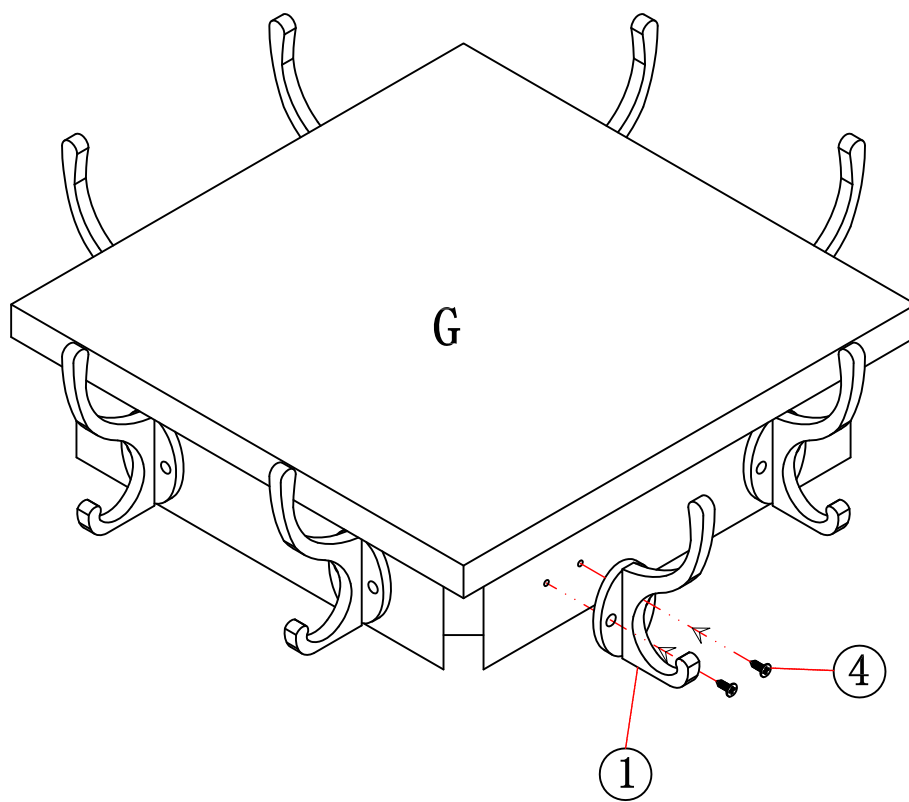
4
ø3.5*14=16



Wrench



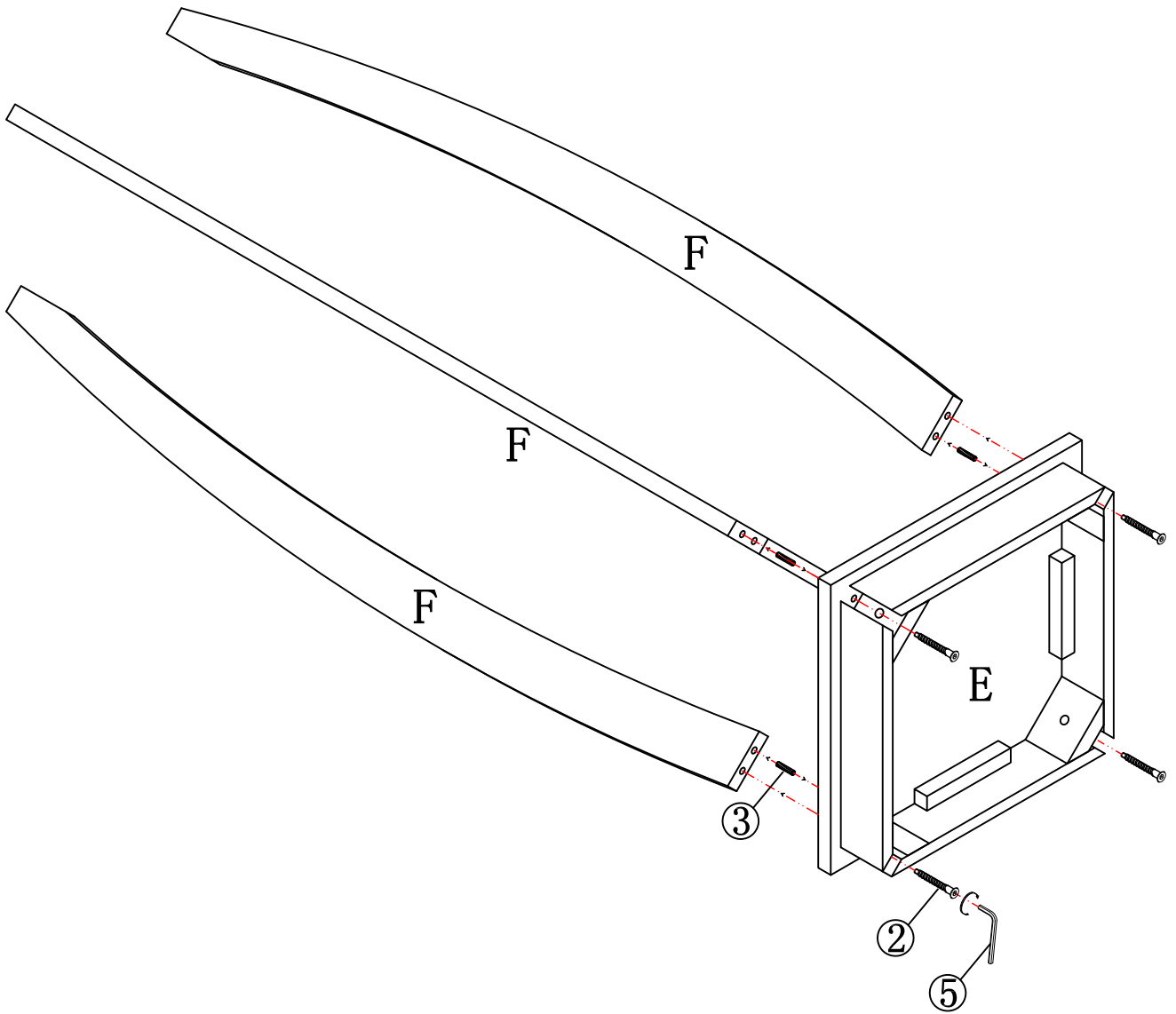
5
M4=1pc




Step 1



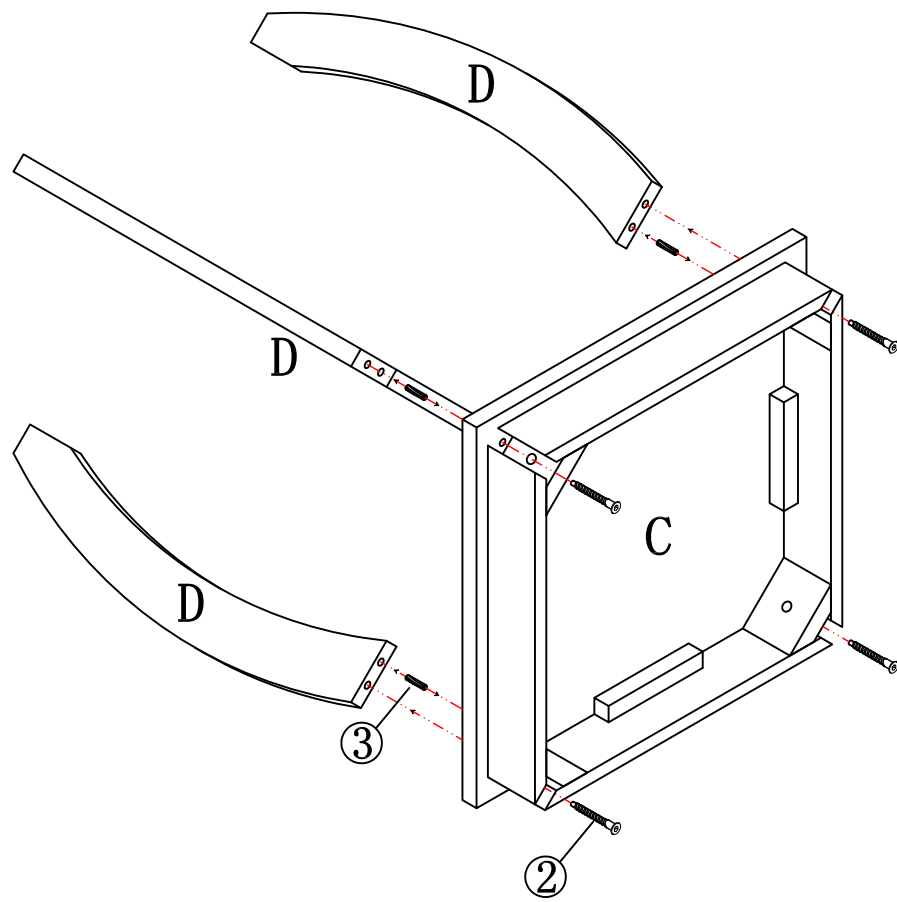
1:		8pcs
4:		16pcs



Step 2



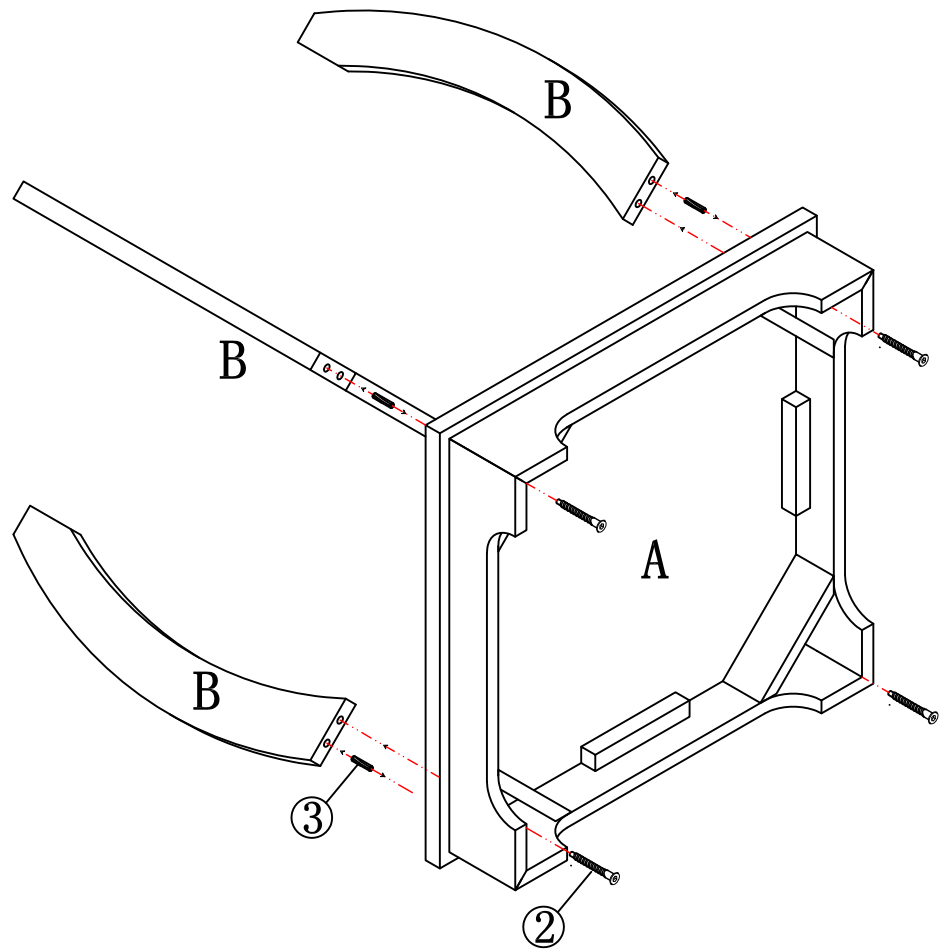
3:		4ps
2:		4pcs
5:		1ps



Step 3



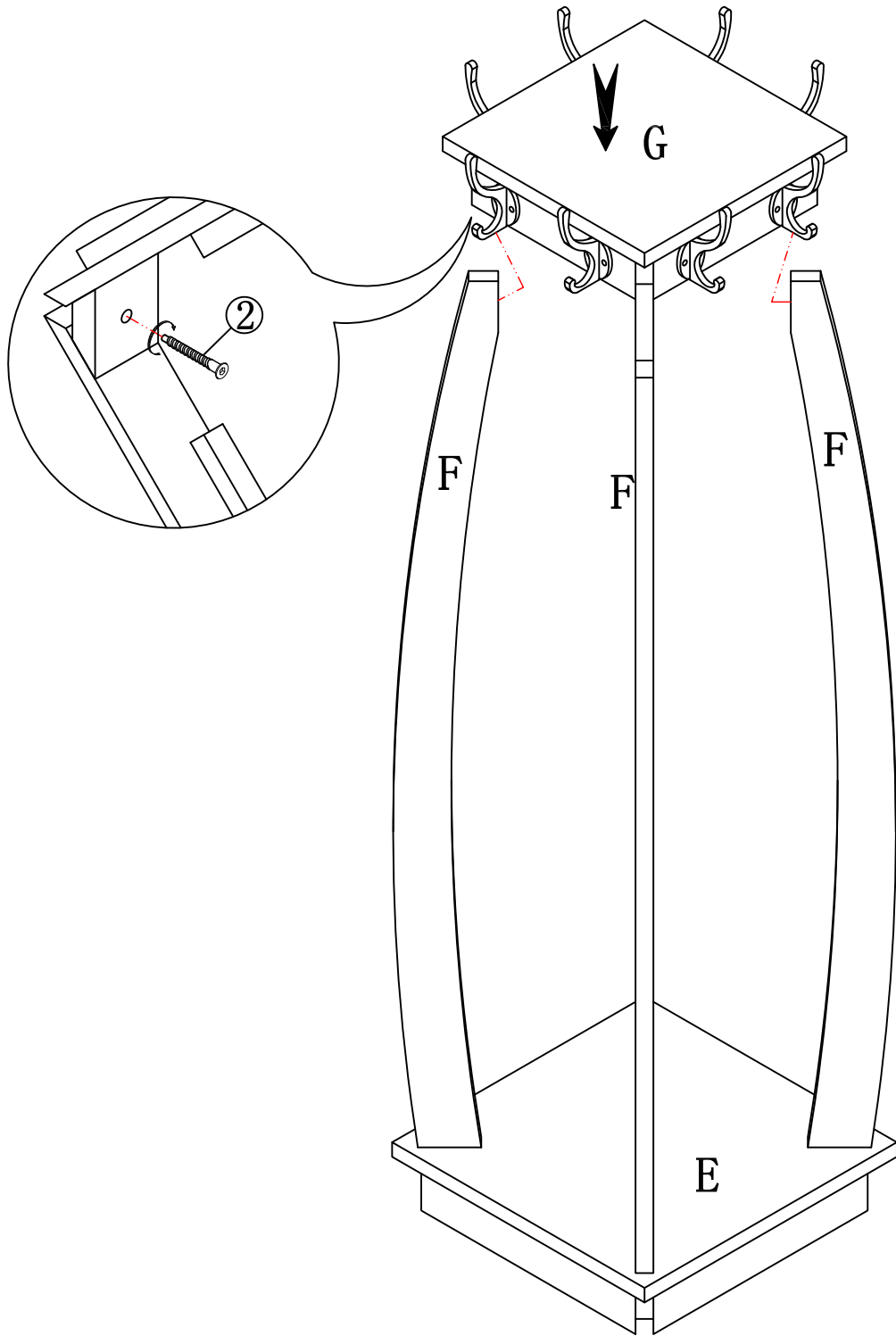
3:		4ps
2:		4pcs

Step 4



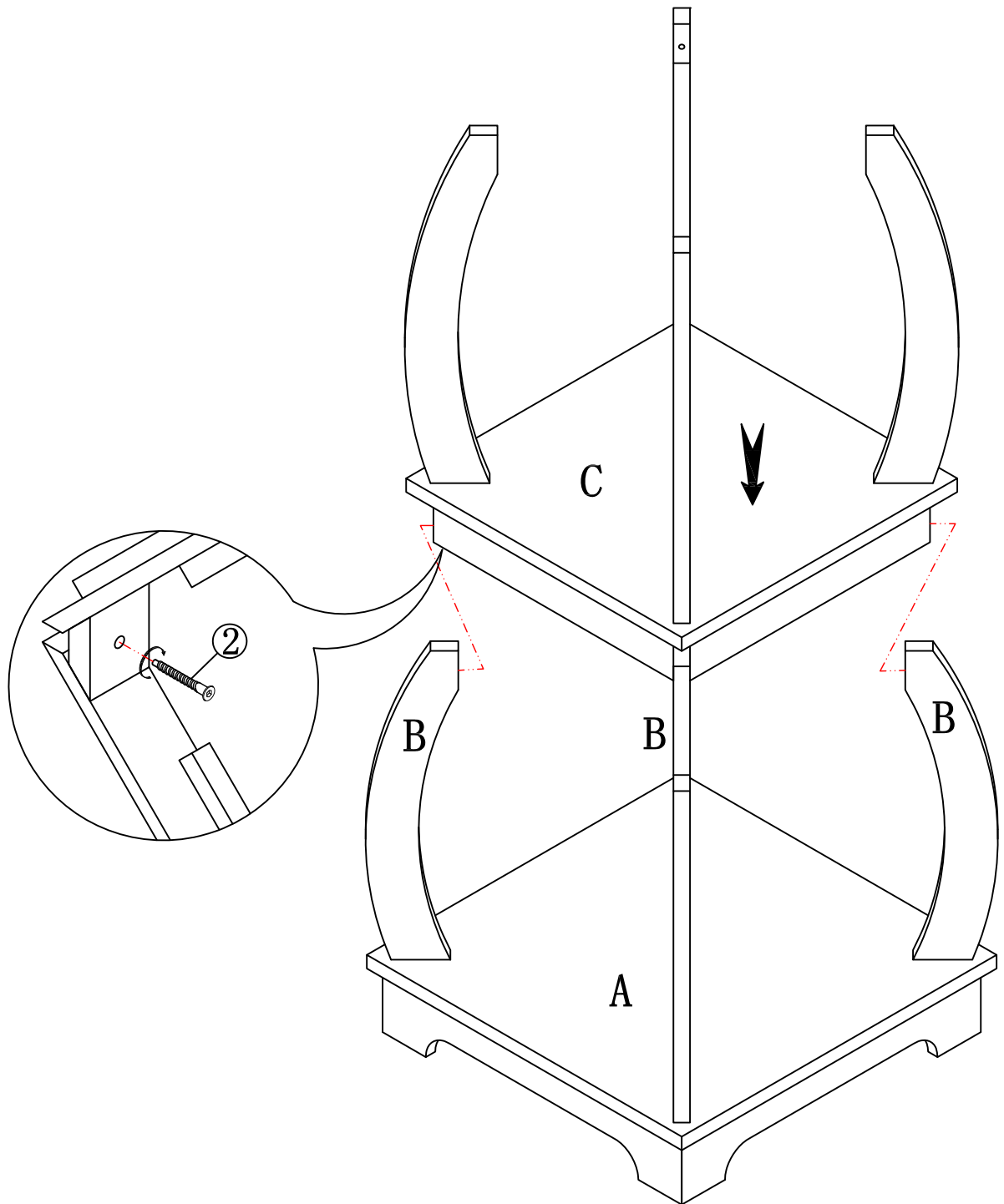
3:		4ps
2:		4pcs

Step 5



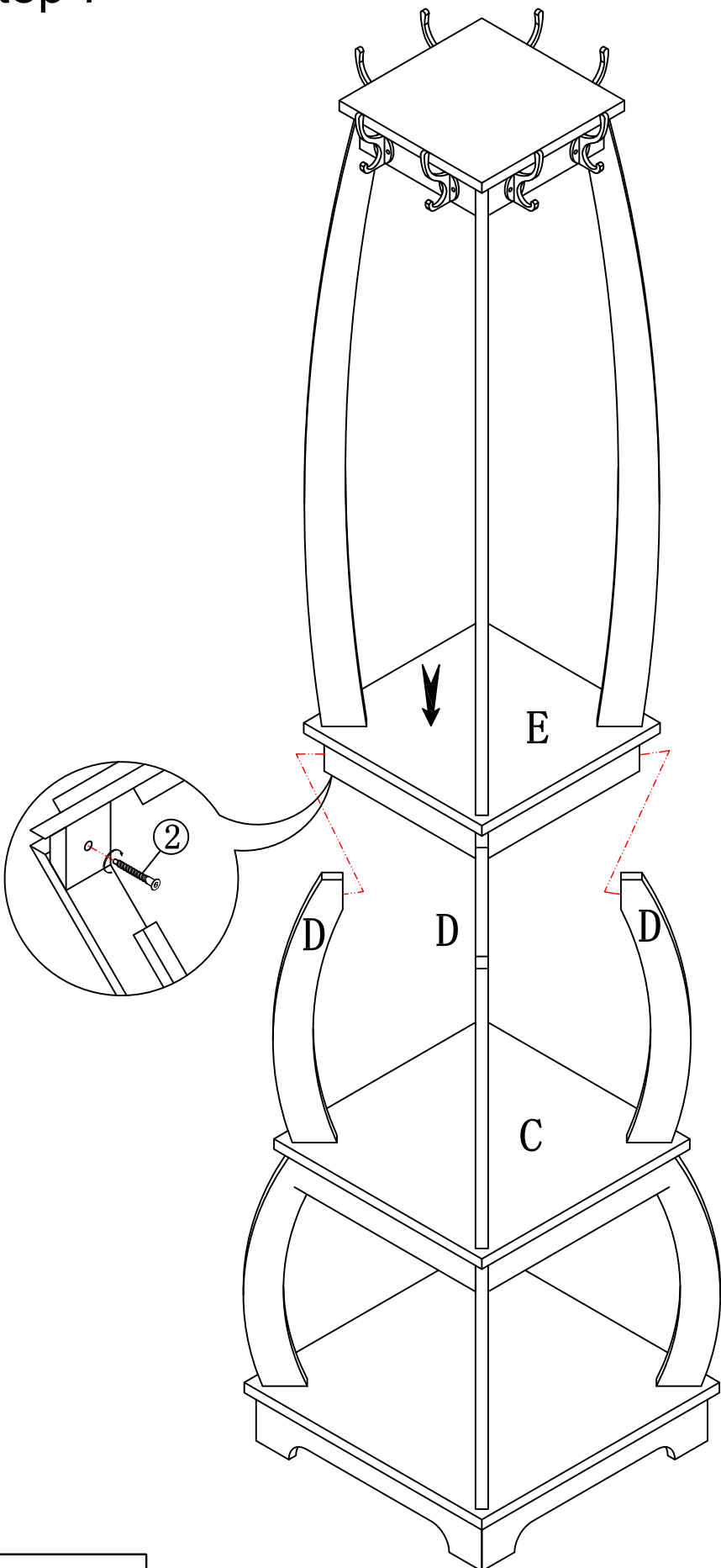
2:  4pcs

Step 6



2:  4pcs

Step 7



2:  4pcs

Final Assembly