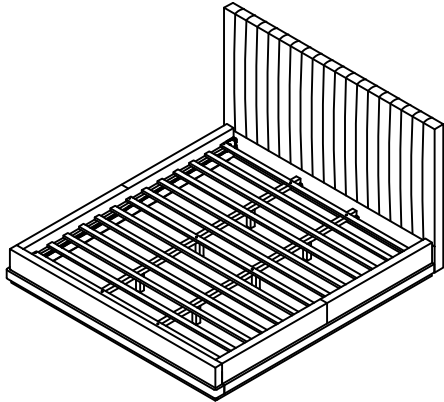


ASSEMBLY INSTRUCTIONS

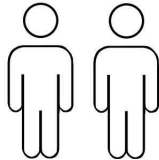
KING



+ Do Not Use Power Tools



+ Suggested Adults



NOTE:

- 1 Read instructions cover to cover.
- 2 Save all packaging until assembly is completed.

1 IMPORTANT SAFETY INFORMATION


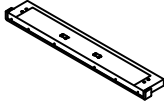
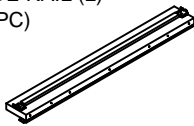


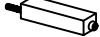
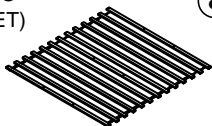
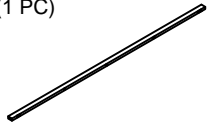

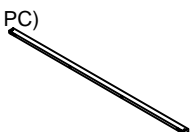
Do not assemble the product if any of the following parts arrived damage:

- Part 3 - Side Rails (L)
- Part 4 - Side Rails (R)
- Part 5 - Center Support Bar
- Part 6 - Support Legs
- Part 7 - Slats






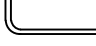

2 IMPORTANT ASSEMBLY INFORMATION

Assembly Step Ensure the side rail bracket is fully hooked onto bolt loosely threaded with both washers on the **OUTSIDE** of the bracket first, then proceed to fully tightening all 4 corners.

+ Parts Included

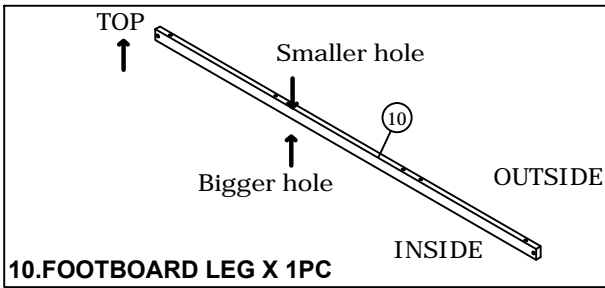
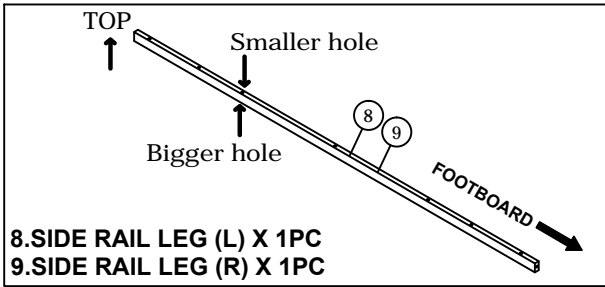
- | | |
|--|---|
| <p>① HEADBOARD
(1 PC)</p>  | <p>② FOOTBOARD
(1 PC)</p>  |
| <p>③ SIDE RAIL (L)
(1 PC)</p>  | <p>④ SIDE RAIL (R)
(1 PC)</p>  |
| <p>⑤ CENTER SUPPORT BAR
(2 PCS)</p>  | <p>⑥ SUPPORT LEGS
(6 PCS)</p>  |
| <p>⑦ SLATS
(1 SET)</p>  | <p>⑧ SIDE RAIL LEG (L)
(1 PC)</p>  |
| <p>⑨ SIDE RAIL LEG (R)
(1 PC)</p>  | <p>⑩ FOOTBOARD LEG
(1 PC)</p>  |

+ Hardware Included

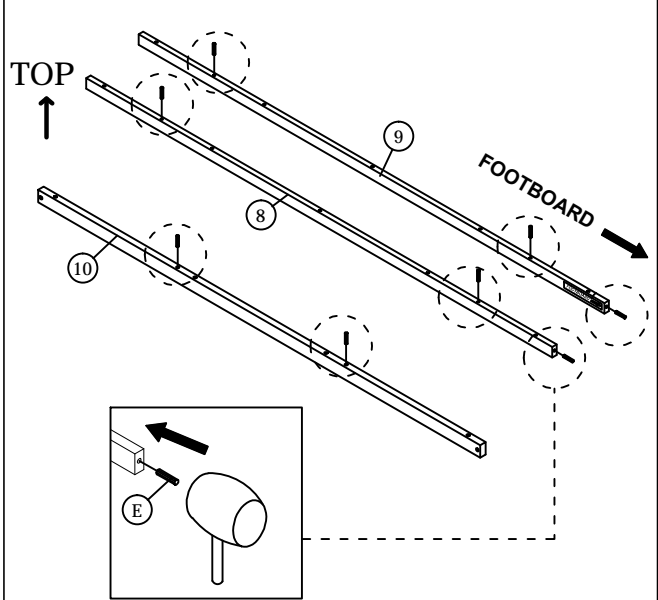
- | | | |
|--|---|--|
| <p>A M6 x 40mm
(14 PCS)</p>  | <p>B M8 x 30mm
(8 PCS)</p>  | <p>C M4 x 38mm
(12 PCS)</p>  |
| <p>D M4 x 20mm
(4 PCS)</p>  | <p>E M8 x 30mm
(8 PCS)</p>  | <p>F M4
(1 PC)</p>  |
| <p>G M5
(1 PC)</p>  | | |

ASSEMBLY INSTRUCTIONS

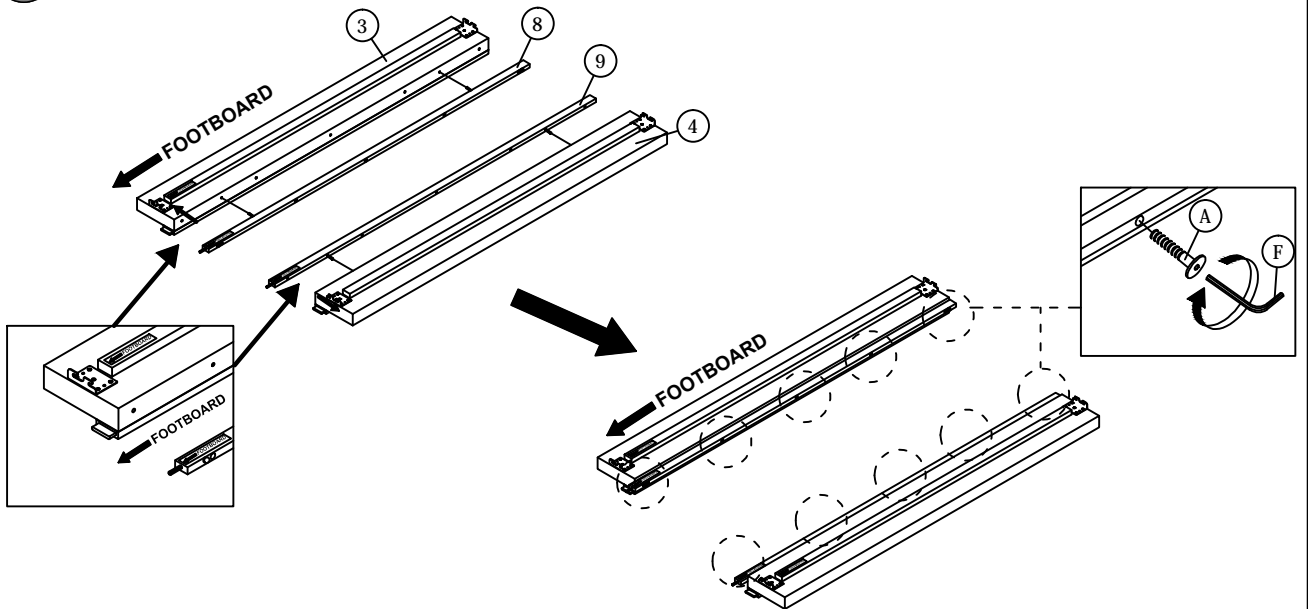
1



2

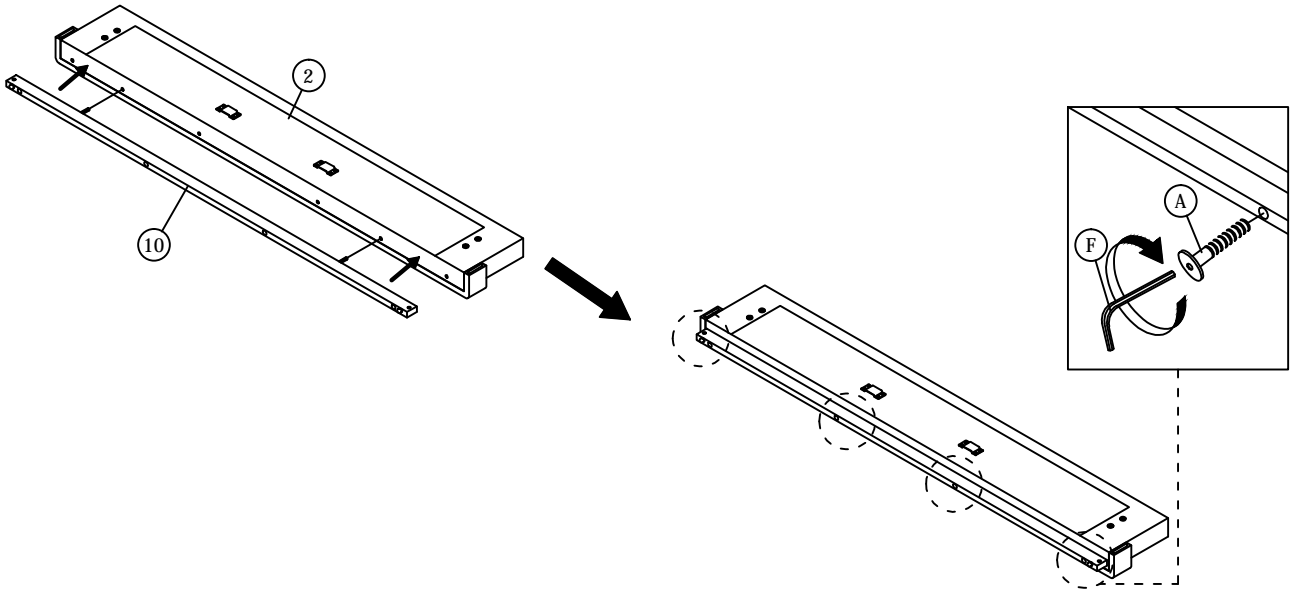


3



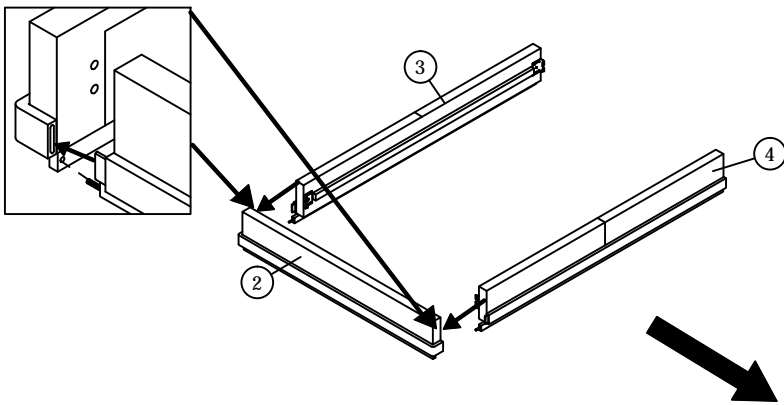
ASSEMBLY INSTRUCTIONS

4

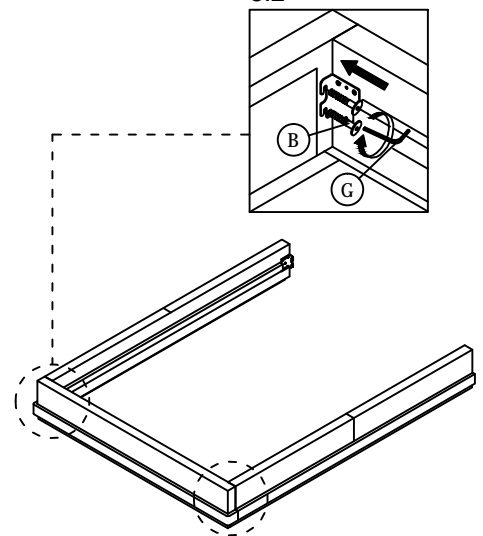


5

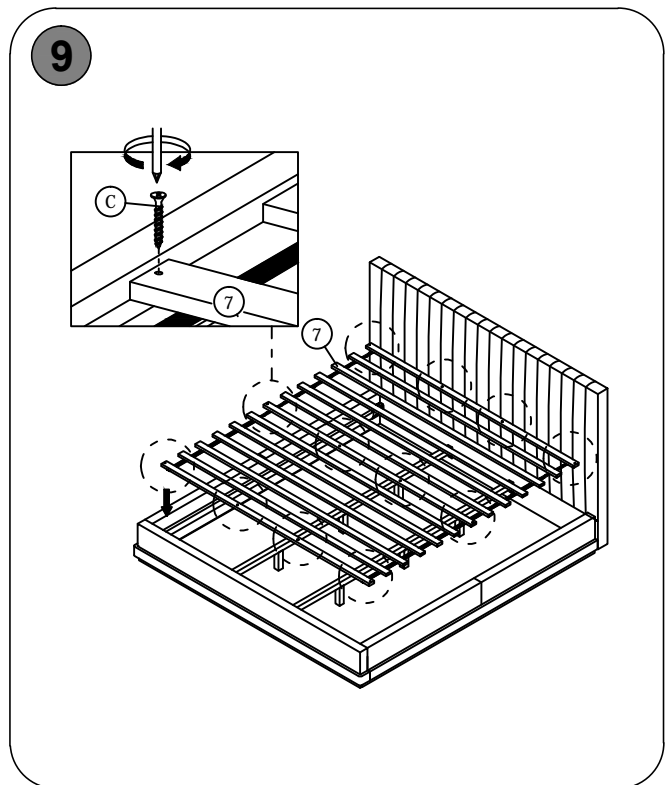
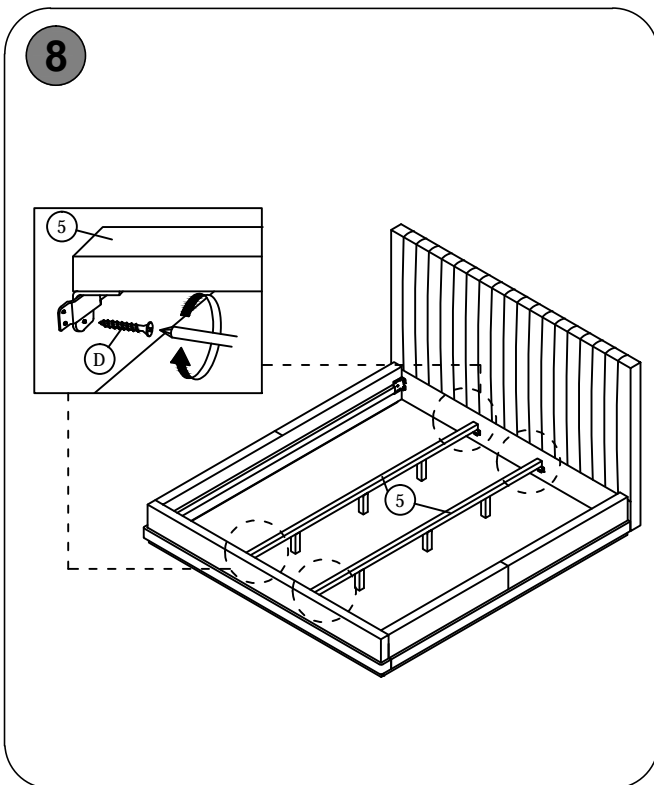
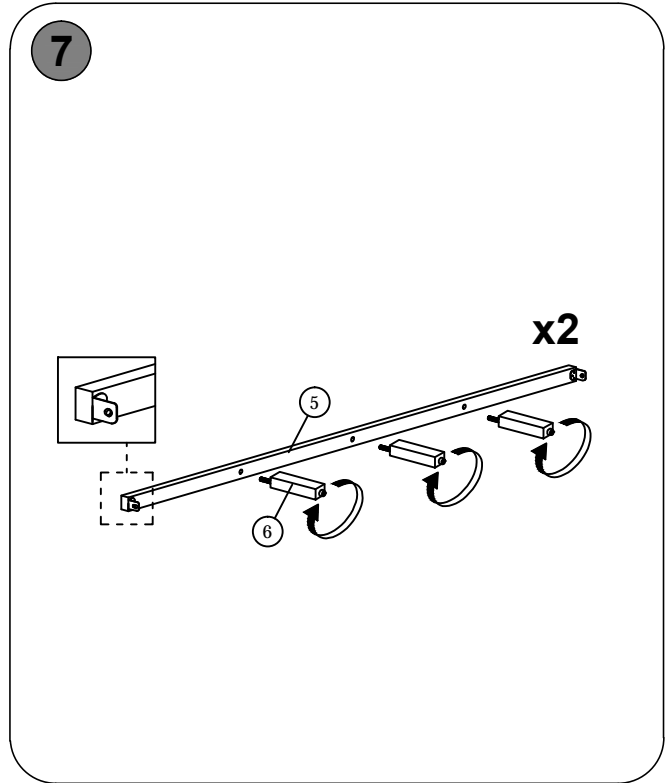
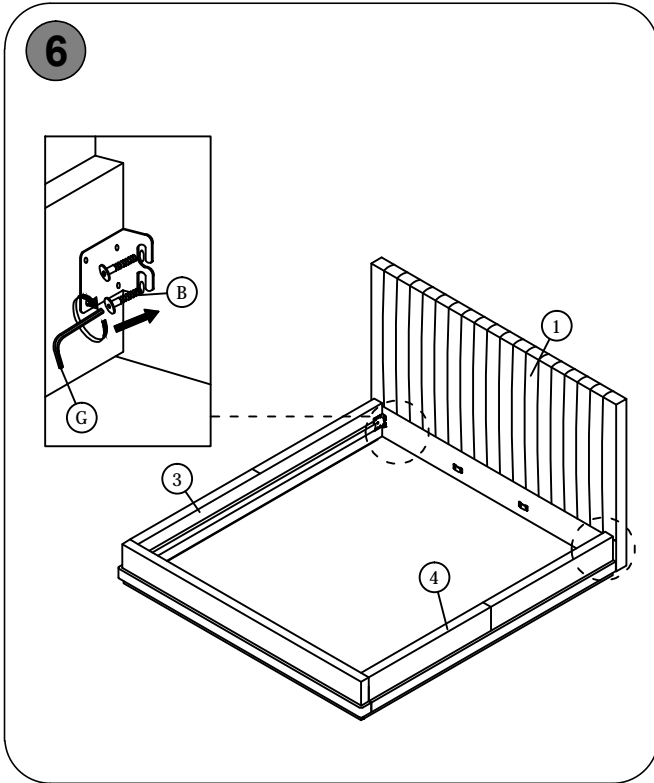
5.1



5.2



ASSEMBLY INSTRUCTIONS



ASSEMBLY INSTRUCTIONS

10

