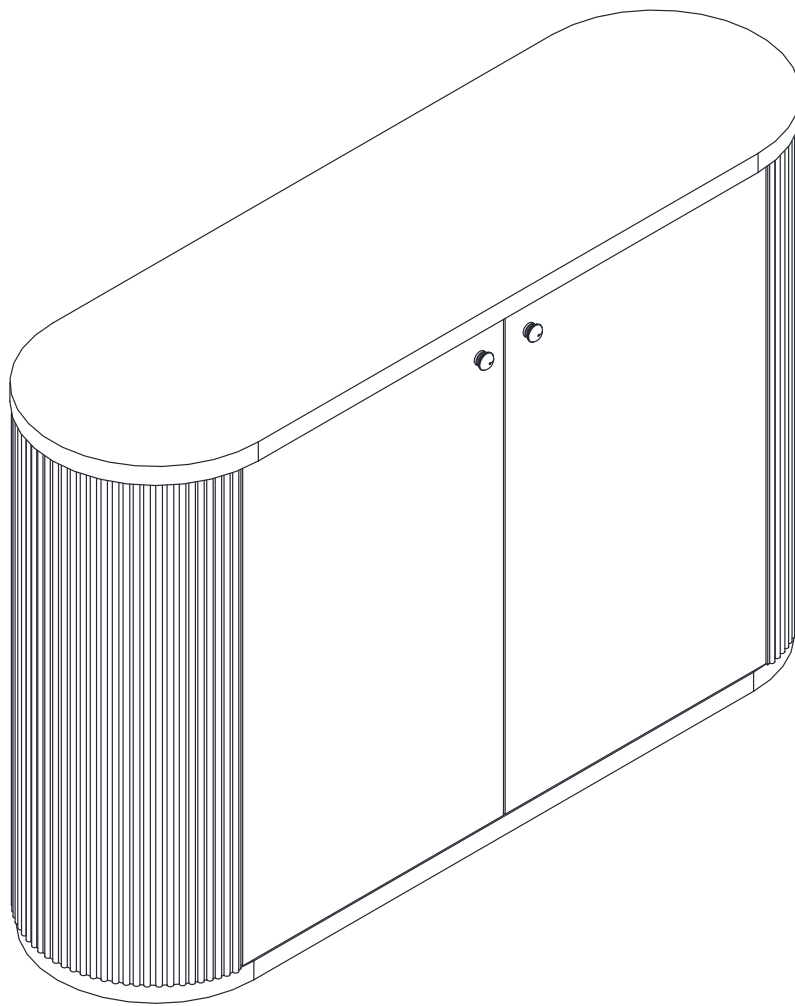


Assembly Instructions

Sideboard / TV Stand



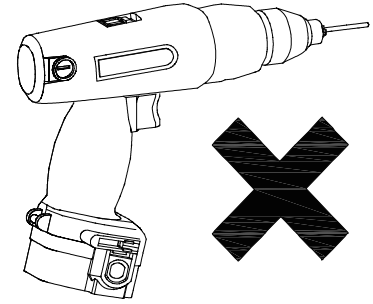
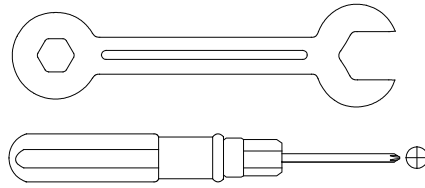
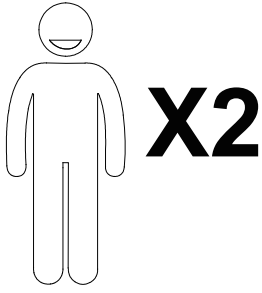
Contact Us

We're here to help you.

Your satisfaction is our top priority. If you encounter any issues with this product, such as missing or damaged parts, we're here to help. Please retain the original packaging and take photos of the packaging and the product, then contact us as soon as possible.

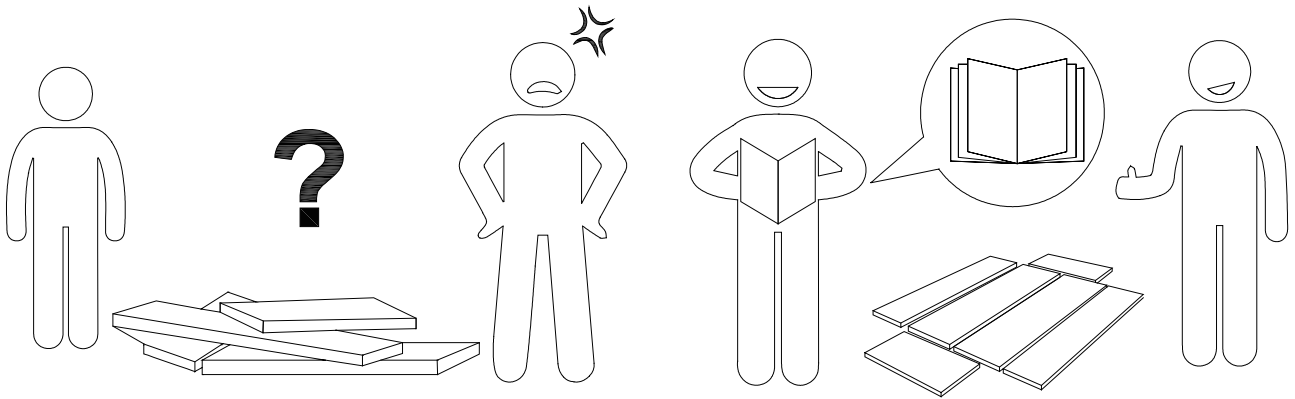
Warm Tips

1. Carefully read these instructions and keep them for future reference.
2. Check the parts list and confirm everything's there before starting assembly.
3. When assembling, put all parts on a soft, smooth surface like a carpet to avoid scratches.
4. Don't fully tighten screws until all parts are confirmed in place to avoid misalignment.



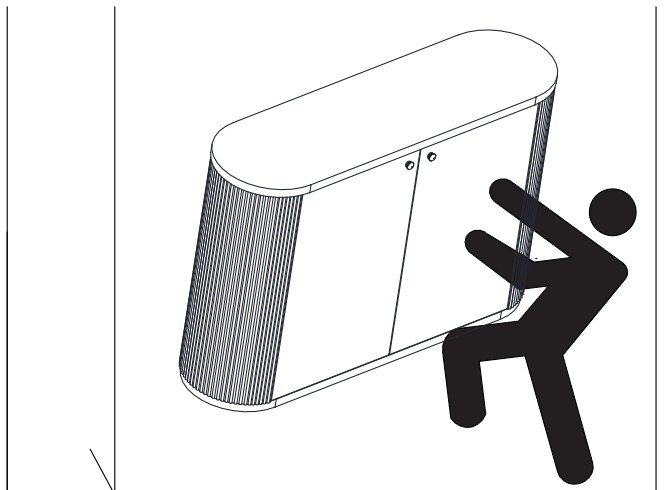
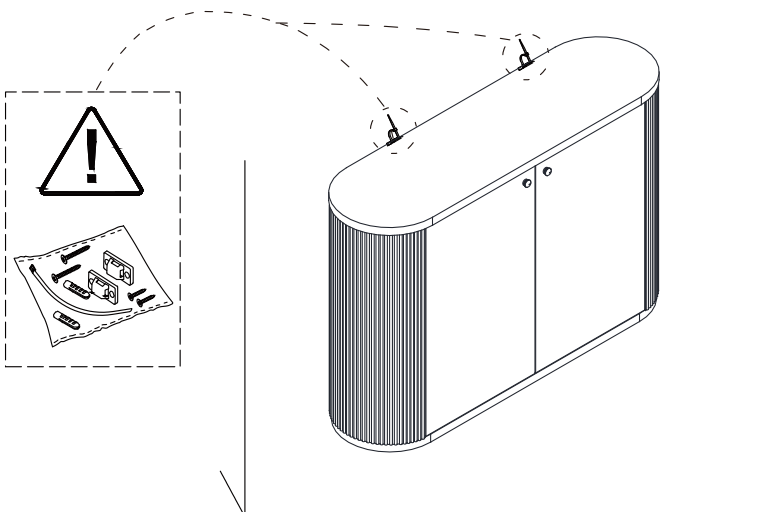
We recommend using hand tools for assembly.

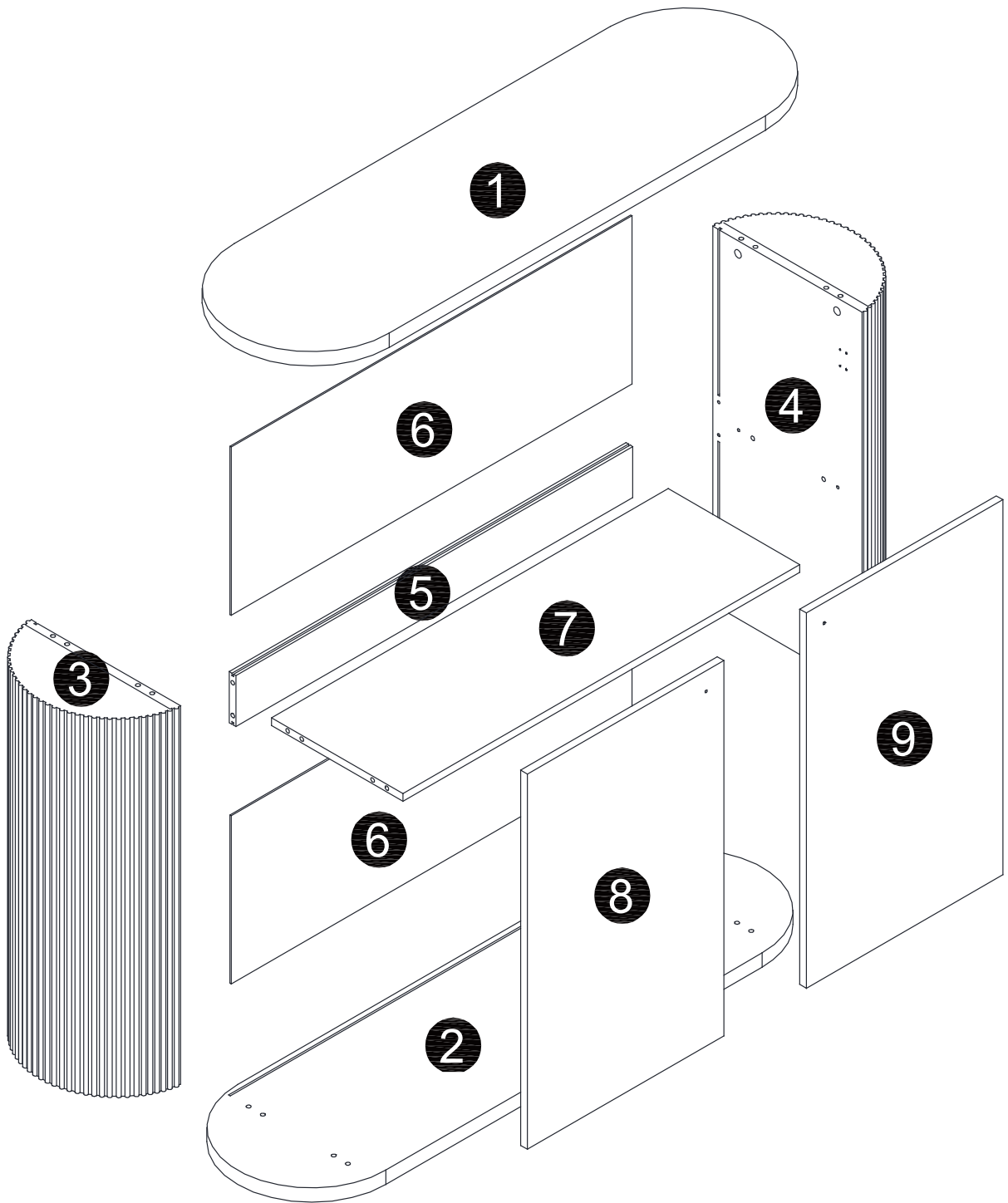
If an electric screwdriver is used, reduce power and torque to avoid damage to the product.



Install the Anti-Tip Straps

Using the anti-tip straps can reduce the risk of tipping over, but can not eliminate it.

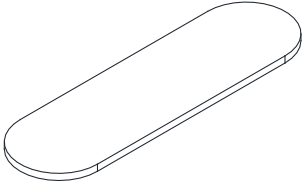
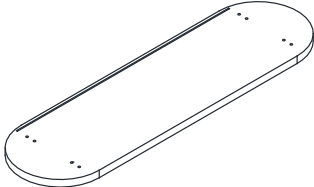
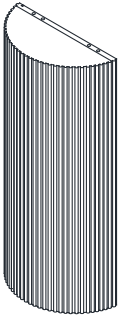

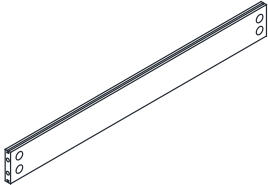
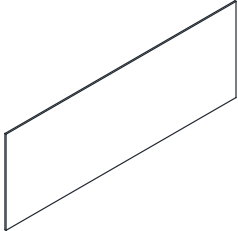
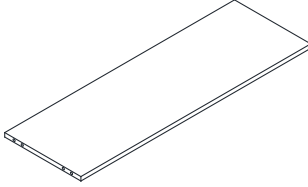
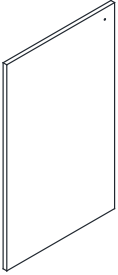





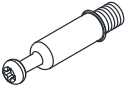


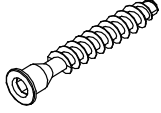


⚠ Caution


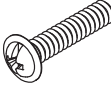


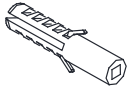
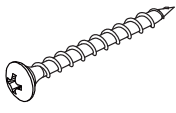
Make sure all parts are included. Most board parts are labeled or stamped on the raw edge. Contact us for a free replacement if you encounter any damaged or missing parts.

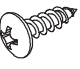
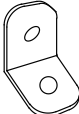

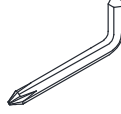
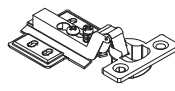
Parts List

<p>1</p>  <p>1 pc</p>	<p>2</p>  <p>1 pc</p>	<p>3</p>  <p>1 pc</p>	<p>4</p>  <p>1 pc</p>
<p>5</p>  <p>1 pc</p>	<p>6</p>  <p>2 pcs</p>	<p>7</p>  <p>1 pc</p>	<p>8</p>  <p>1 pc</p>
<p>9</p>  <p>1 pc</p>			

Hardware List

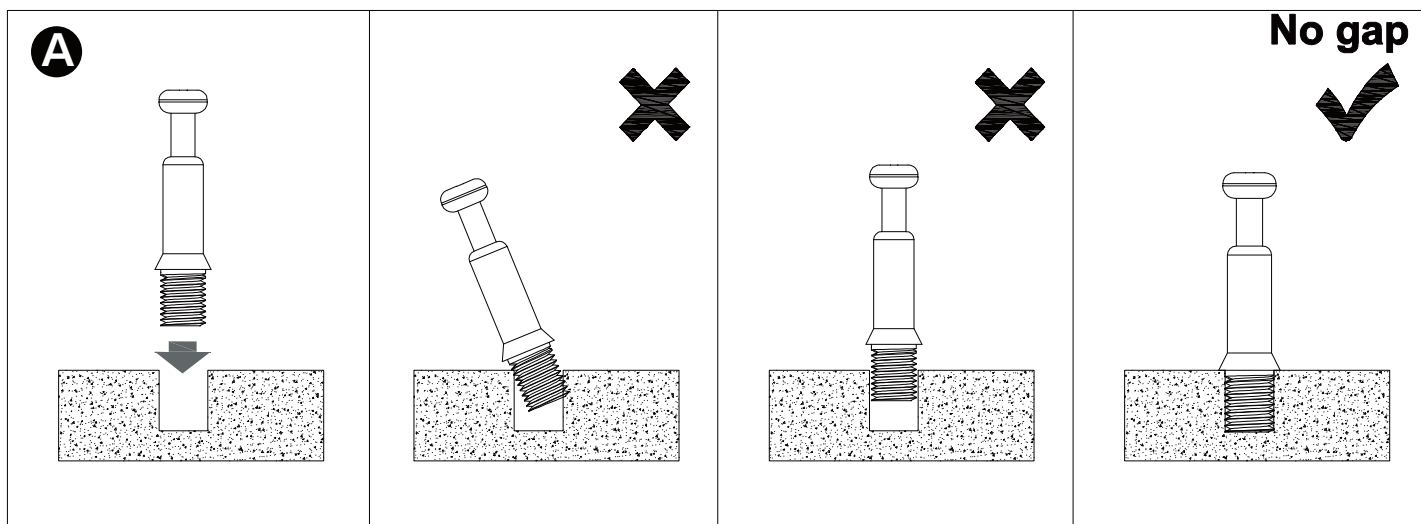
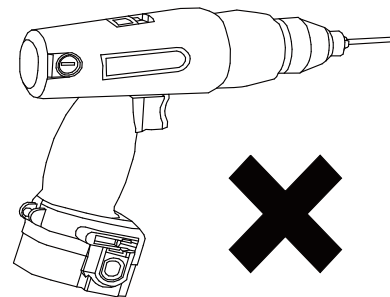
A	B	C	D	E	F
					
M6X35mm	Ø15x12mm	Ø8x30mm	M7X68mm	M4X14mm	
12+1 pcs	12+1 pcs	12+1 pcs	4+1 pcs	24+1 pcs	12+1 pcs

G	H	I	J	K	L
					
M3x14mm	M4X18mm				M4x35mm
12+1 pcs	2+1 pcs	2 pcs	4 pcs	2 pcs	2 pcs

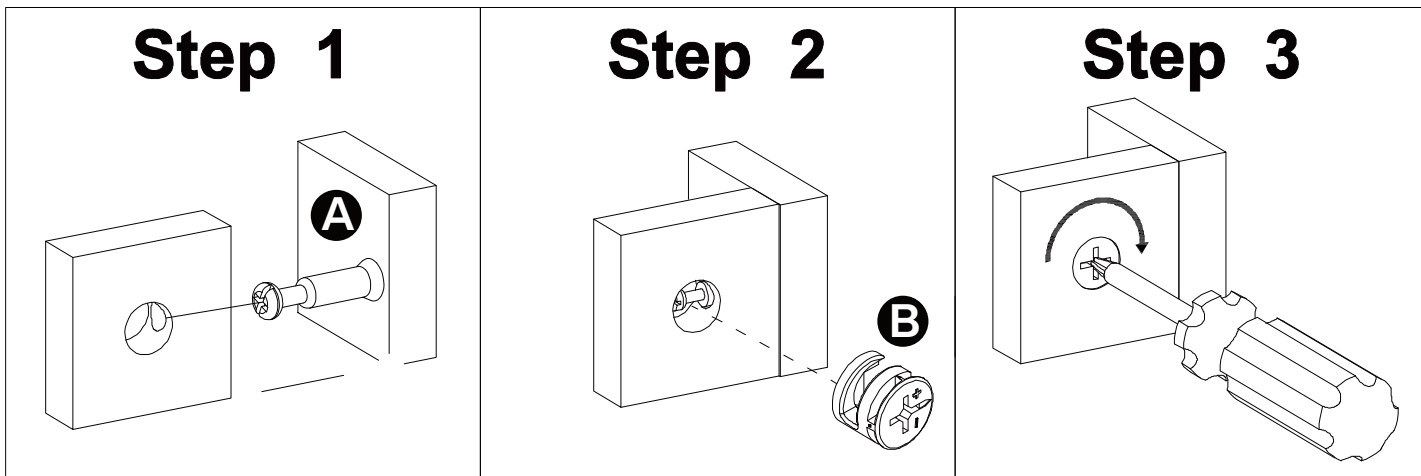
M	N	O	P	Q	
					
M4x12mm			M4		
2 pcs	4 pcs	2 pcs	1 pc	4 pcs	

Installation of Cams and Pins

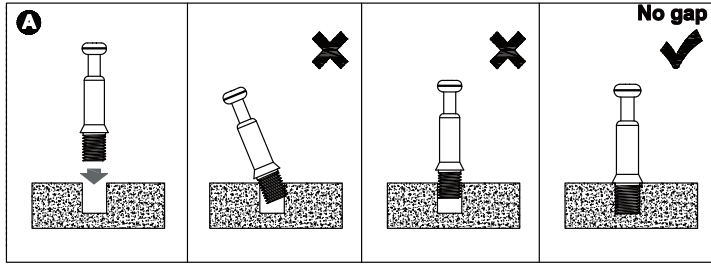
Read each step carefully before starting. Each step of instruction should be performed in the correct order. If these steps are not followed in sequence, assembly difficulties may occur.





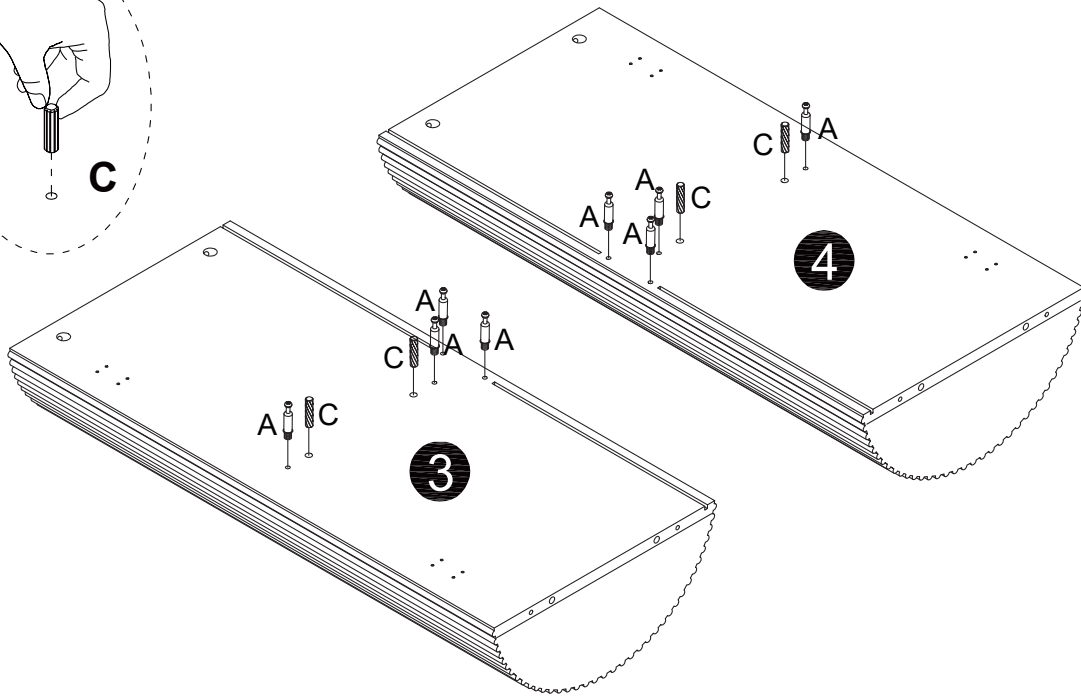
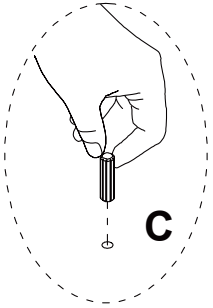
Screw the pin into the hole. Set the cams correctly by aligning the head of the cams with the lock pins. Lock the cam by turning the cam head with a screwdriver until it is tightened. Please do not use an electric screwdriver to assemble the unit.



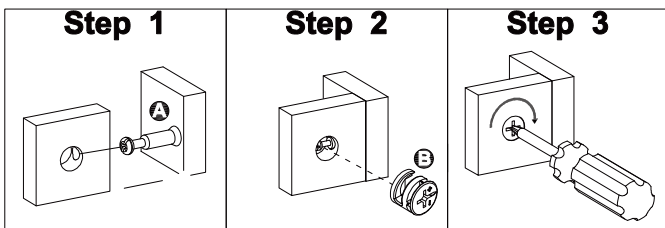
1




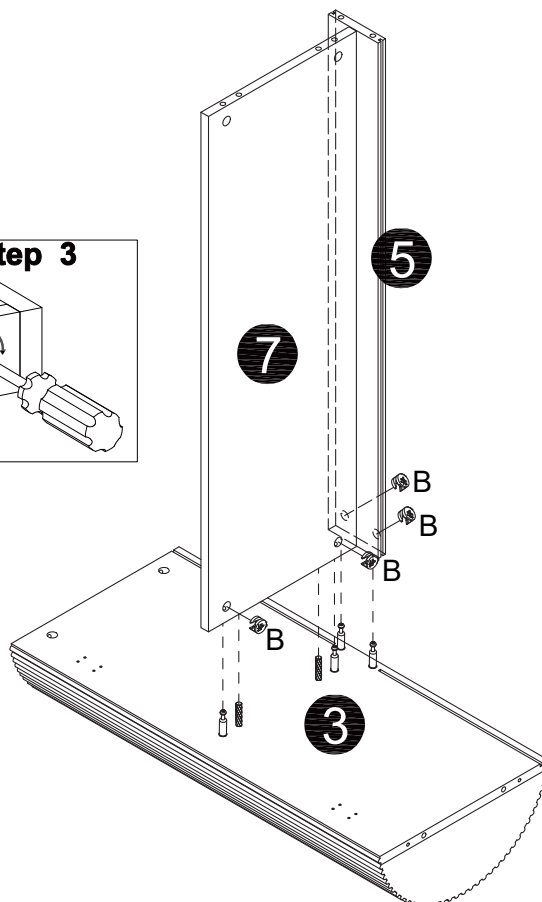
A	C
	
M6x35mm	Ø8x30mm
8 pcs	4 pcs



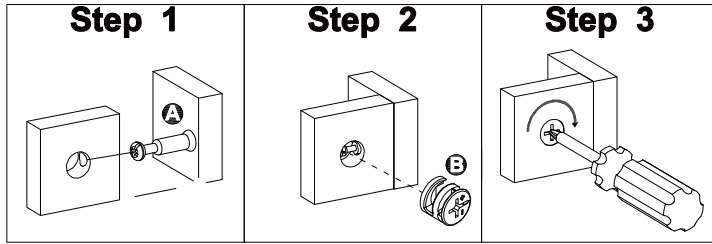
2



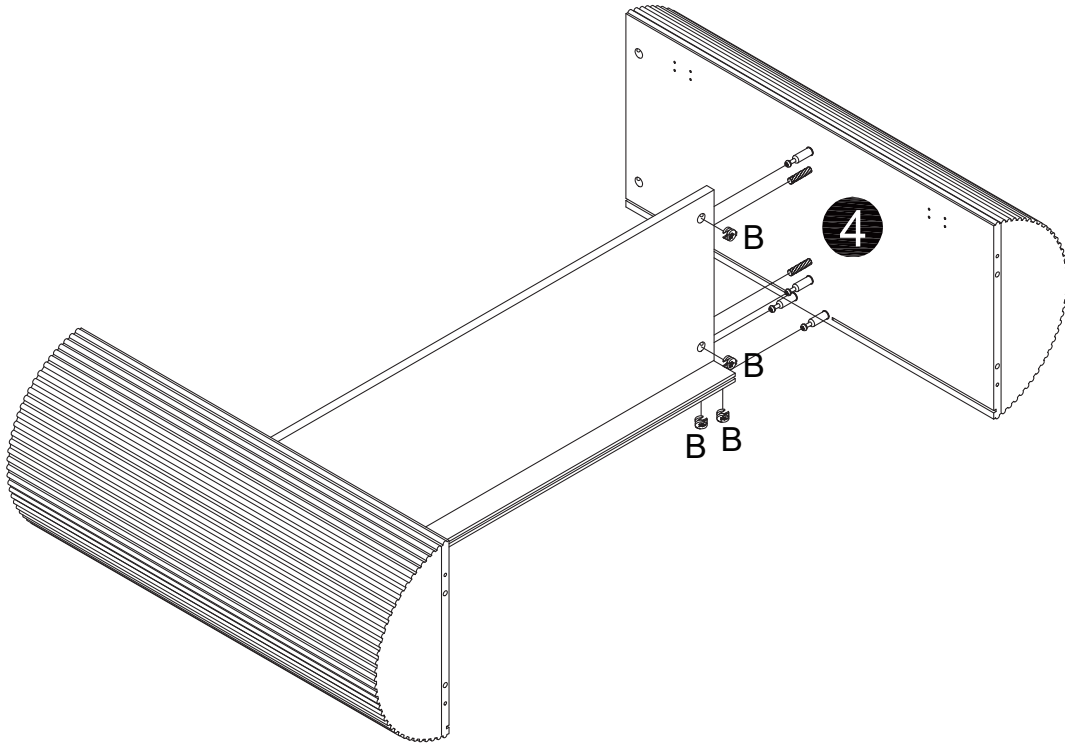
B

Ø15x12mm
4 pcs



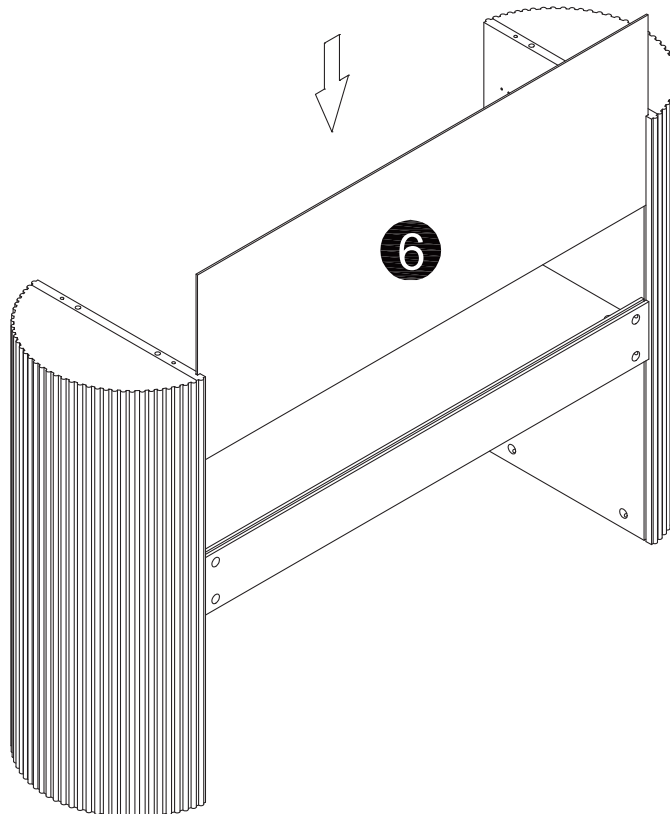
3



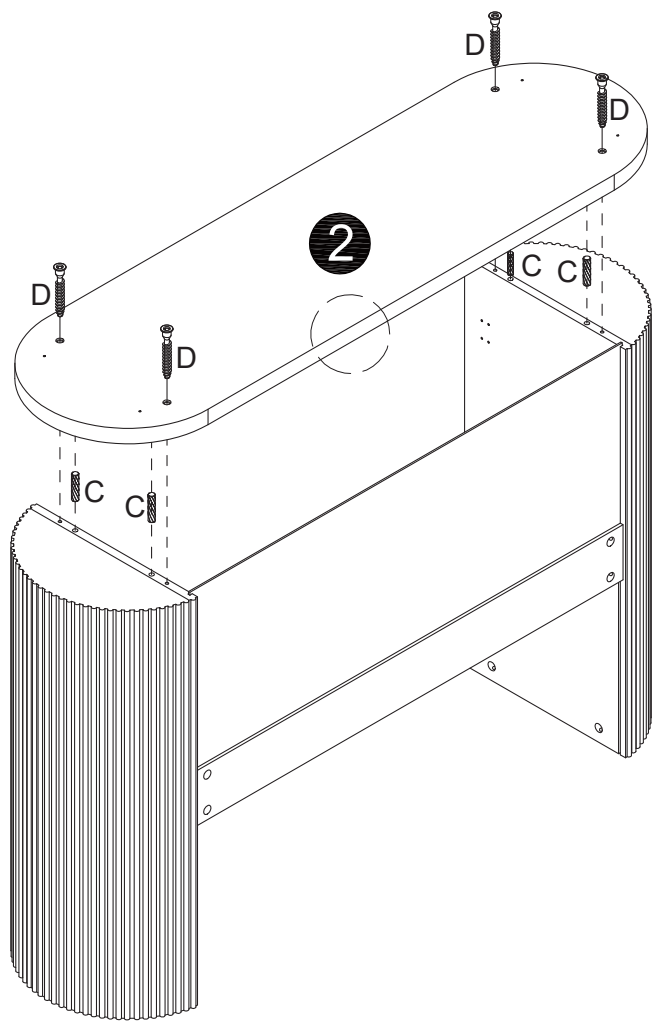
B
Ø15X12mm
4 pcs


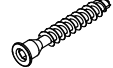


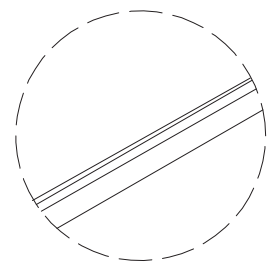
4



5

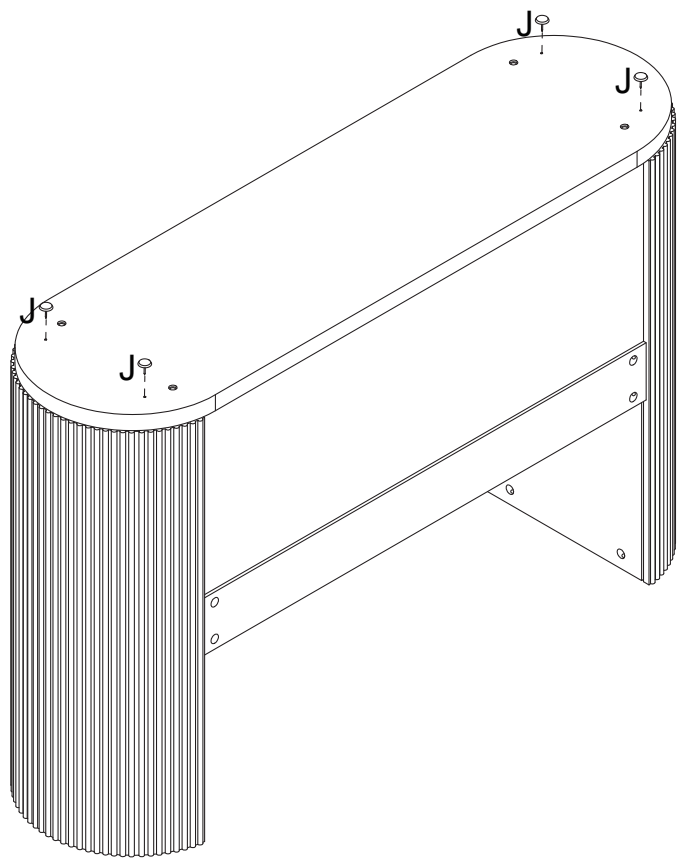



C	D
	
Ø8x30mm	M7x68mm
4 pcs	4 pcs

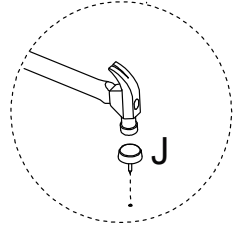


Note the direction of the backplane slot

6

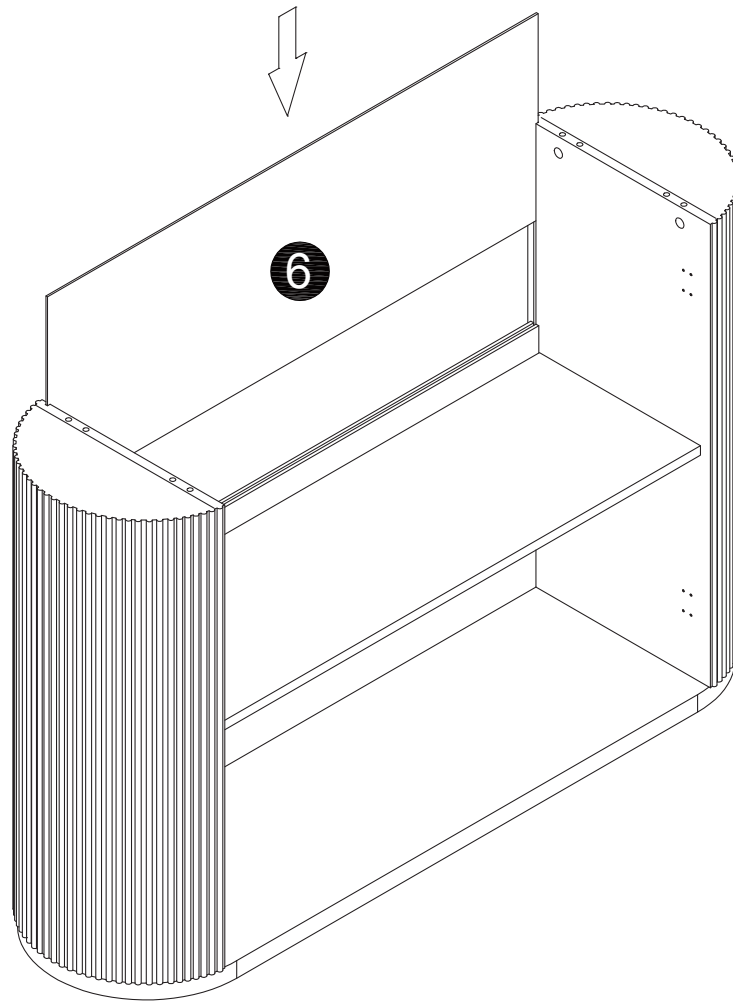


J

4 pcs

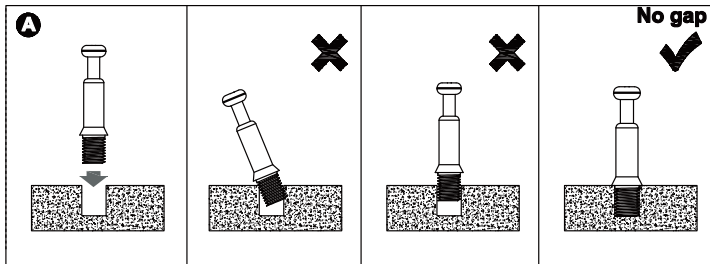




⚠ Caution! Tap lightly

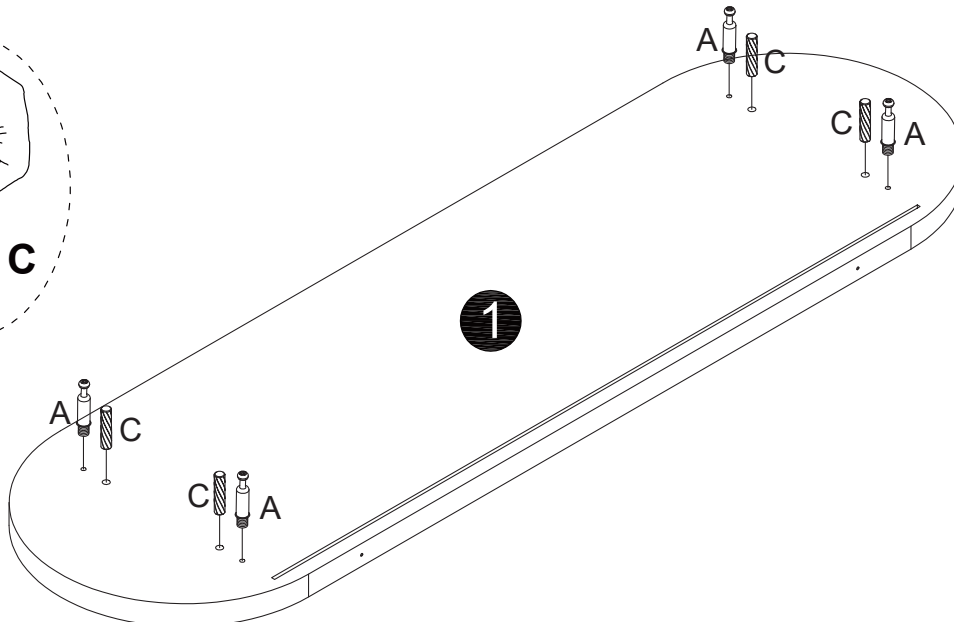
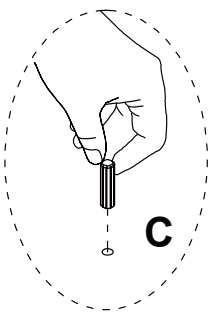
7



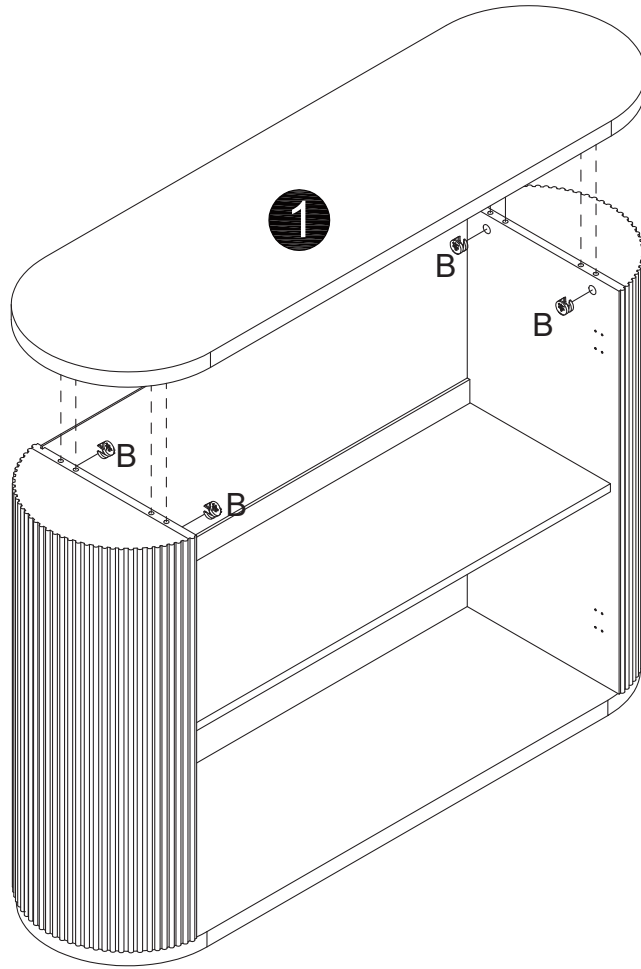
8




A	C
	
M6x35mm	Ø8x30mm
4 pcs	4 pcs

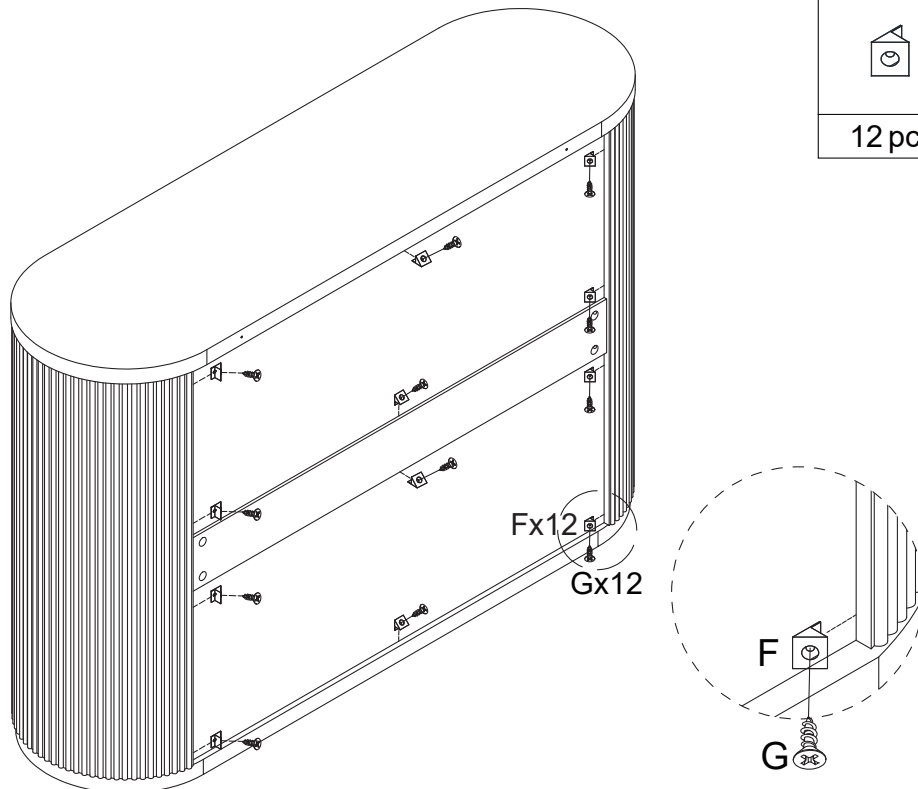




9







B

Ø15x12mm
4 pcs

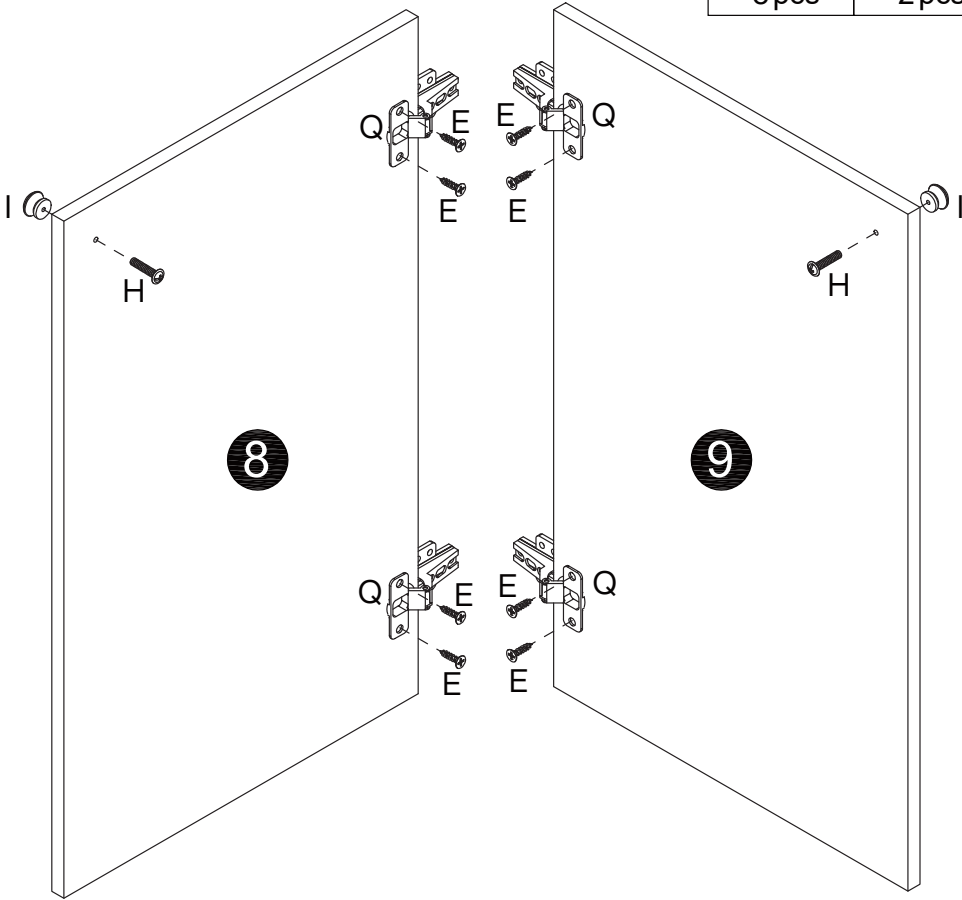
10




F	G
	
12 pcs	M3x14mm
12 pcs	12 pcs

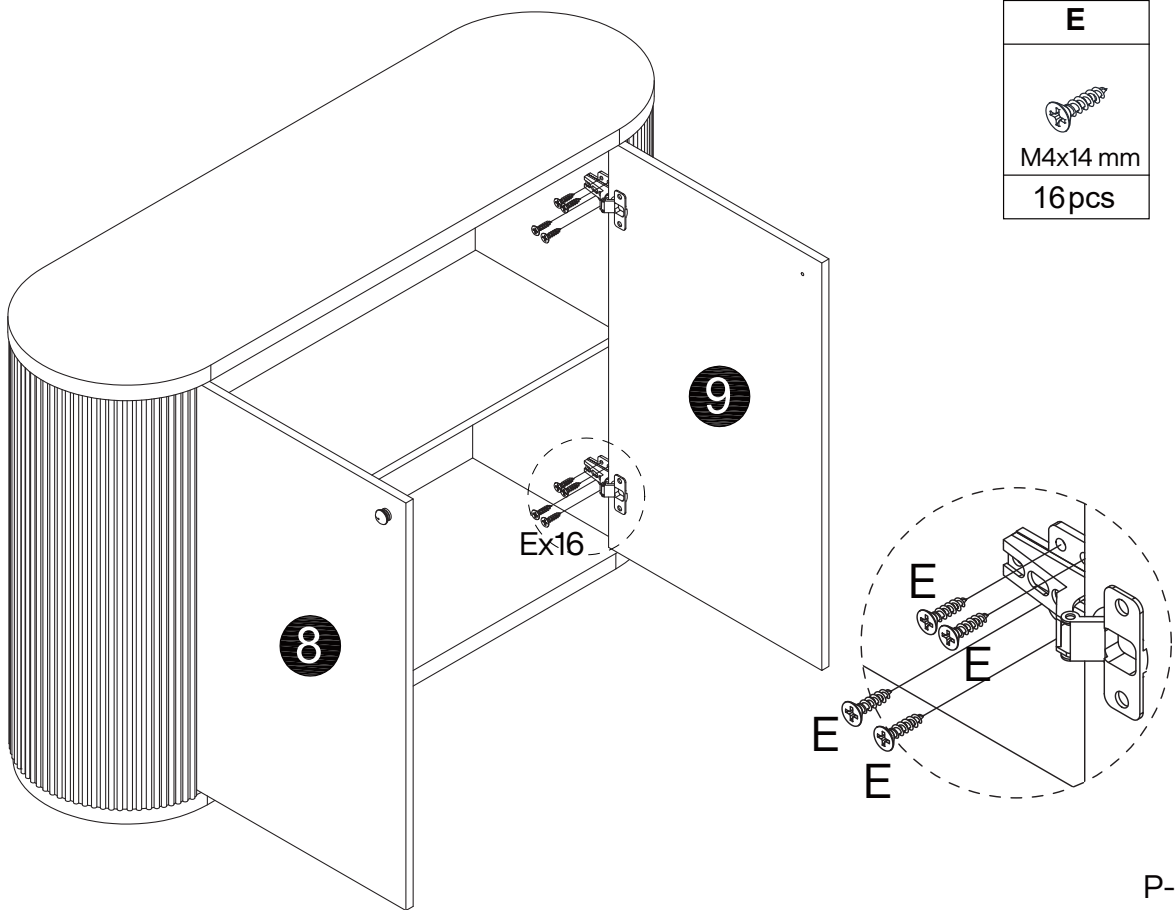
11

E	H	I	Q
 M4x14 mm	 M4x18 mm	 Washer	 Hinge
8 pcs	2 pcs	2 pcs	4 pcs



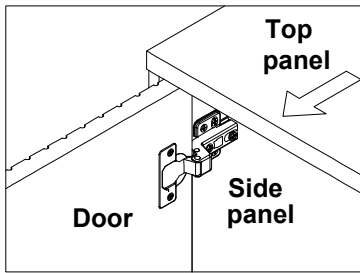
12

E
 M4x14 mm
16 pcs



Step 1

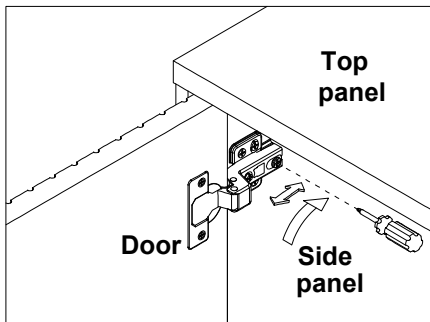
Open the door.



ADJUST YOUR DOORS TO MAKE THE GAPS MORE EVEN (OPTIONAL).

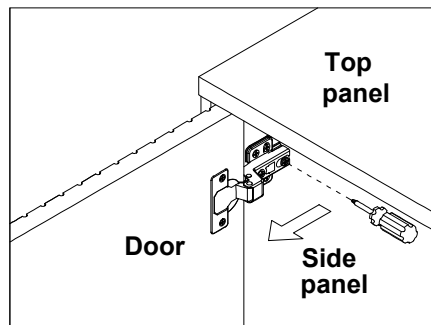
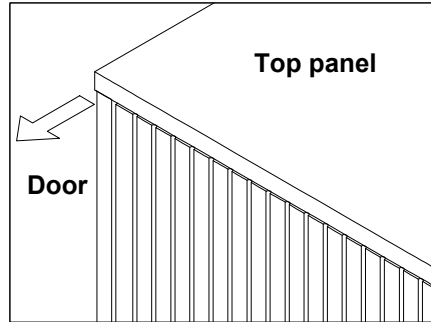
Step 2

Adjust the door panel to be flush with side panel and top panel edge.



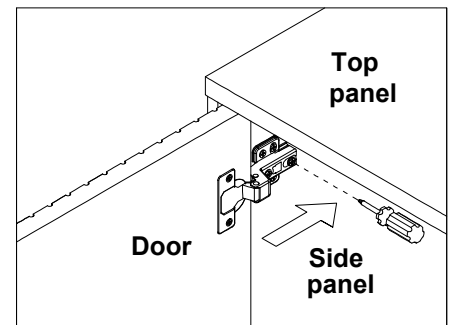
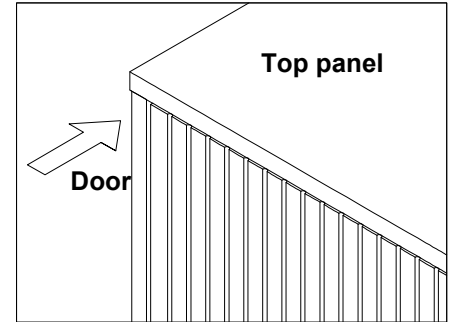
Loosen the screw indicated a little, adjust the hinge to the right position (see step 2a & 2b), then tighten the screw.

Step 2a MOVE DOOR OUT



Pull the hinge forward a little.

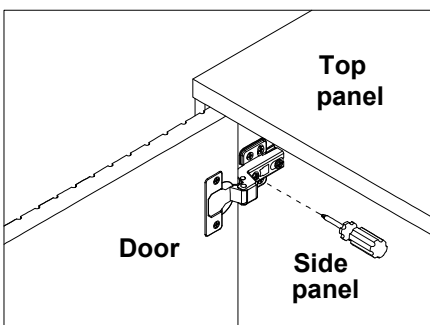
Step 2b MOVE DOOR IN



Push the hinge back a little.

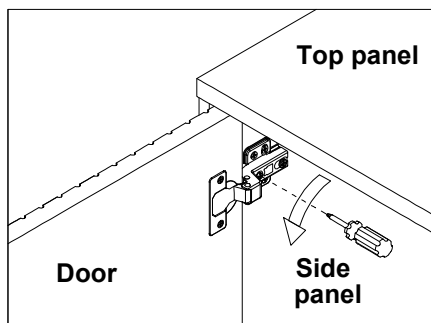
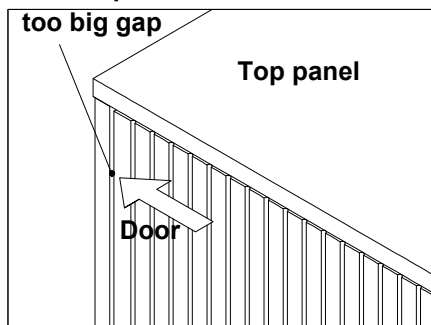
Step 3

Adjust the gap between the door panel and the side panel.



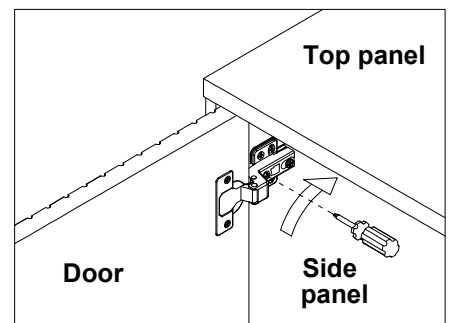
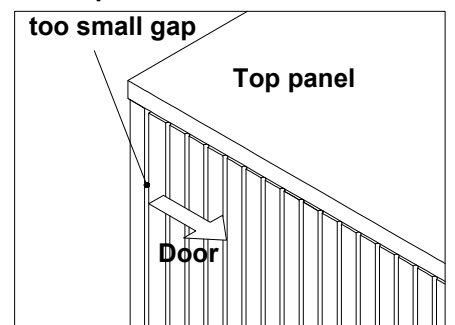
Loosen or tighten the screw indicated a little to adjust the gap between the door panels, adjust the hinge to the right position (see step 3a & 3b).

Step 3a MOVE DOOR LEFT





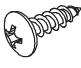


Turn the screw clockwise a little as shown to make the gap smaller

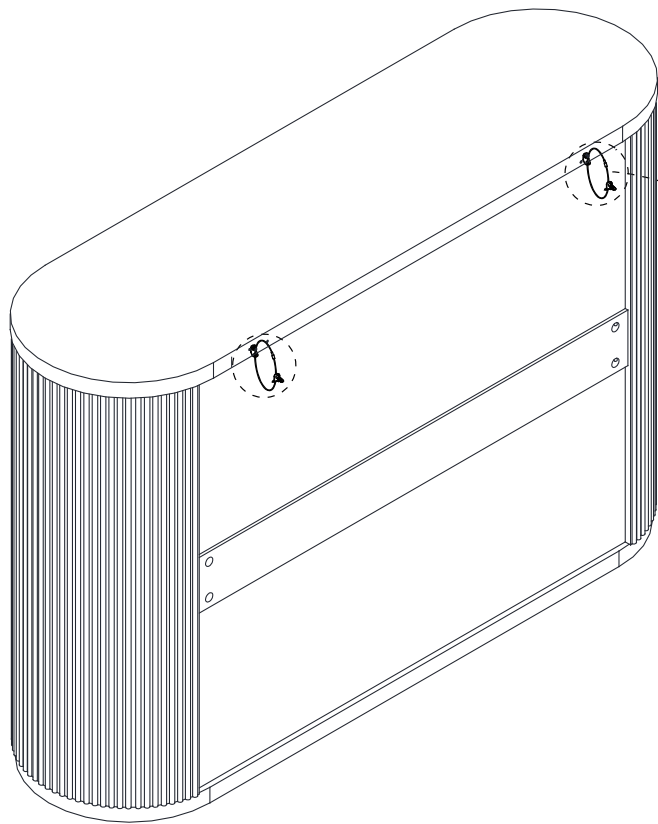
Step 3b MOVE DOOR RIGHT



Turn the screw counterclockwise a little as shown to make the gap bigger

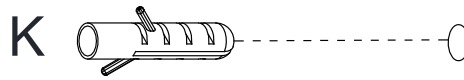
13

K	L	M	N	O
	 M4x35mm	 M4x12mm		
2 pcs	2 pcs	2 pcs	4 pcs	2 pcs

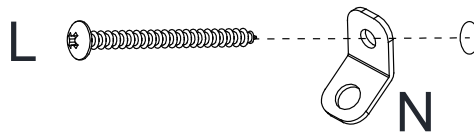


Step1

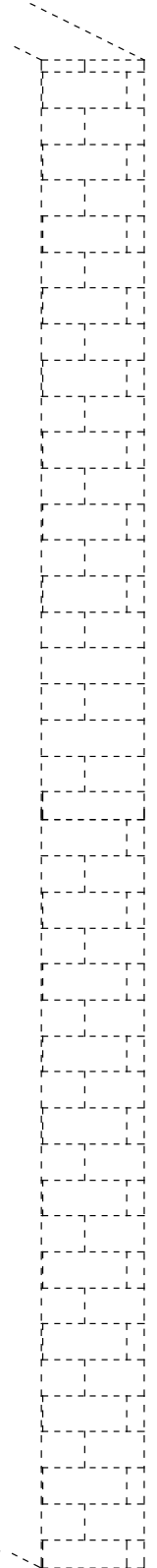
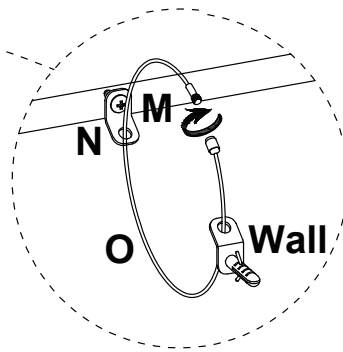
Wall



Step2



Step3



Thank you for your support!

