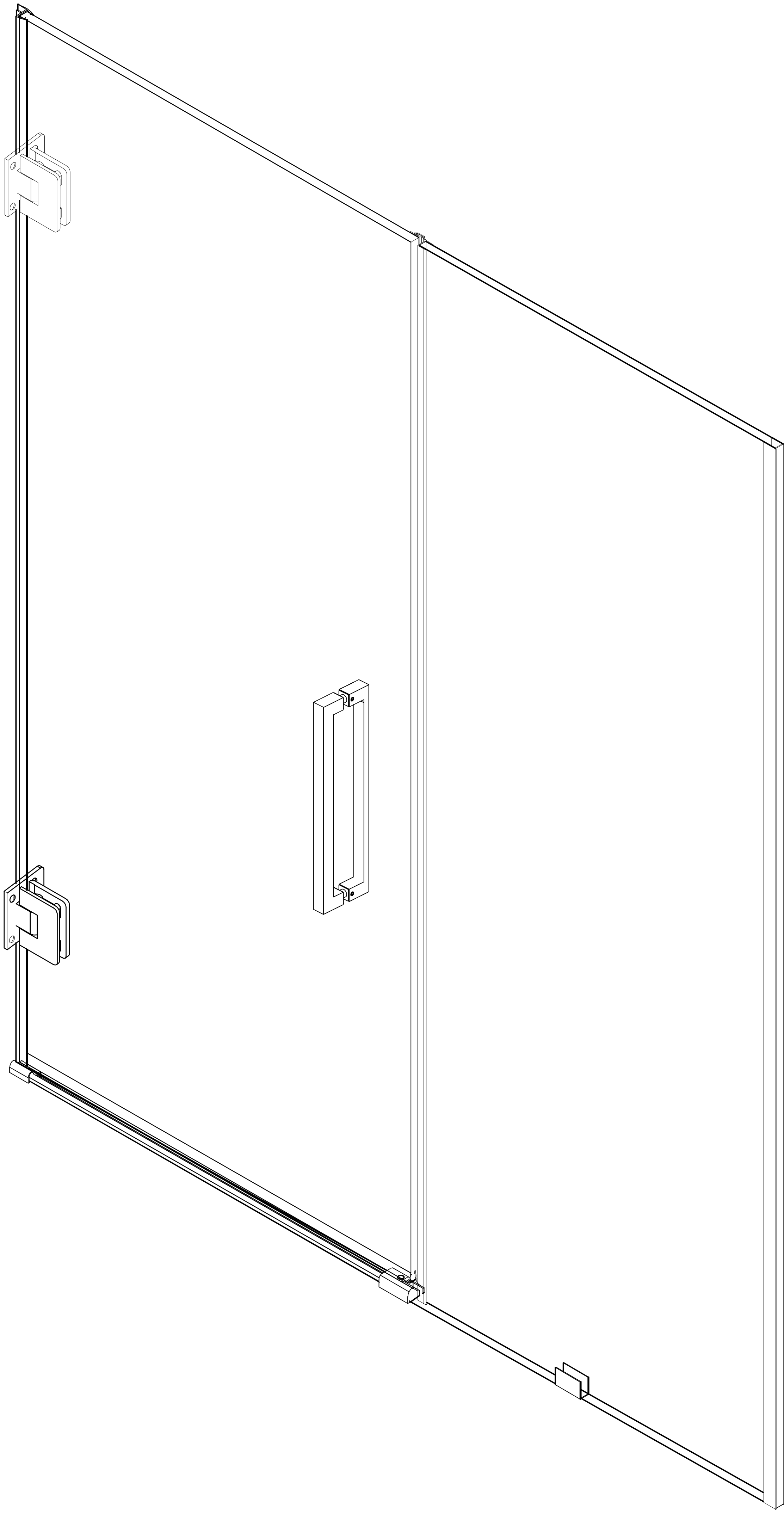
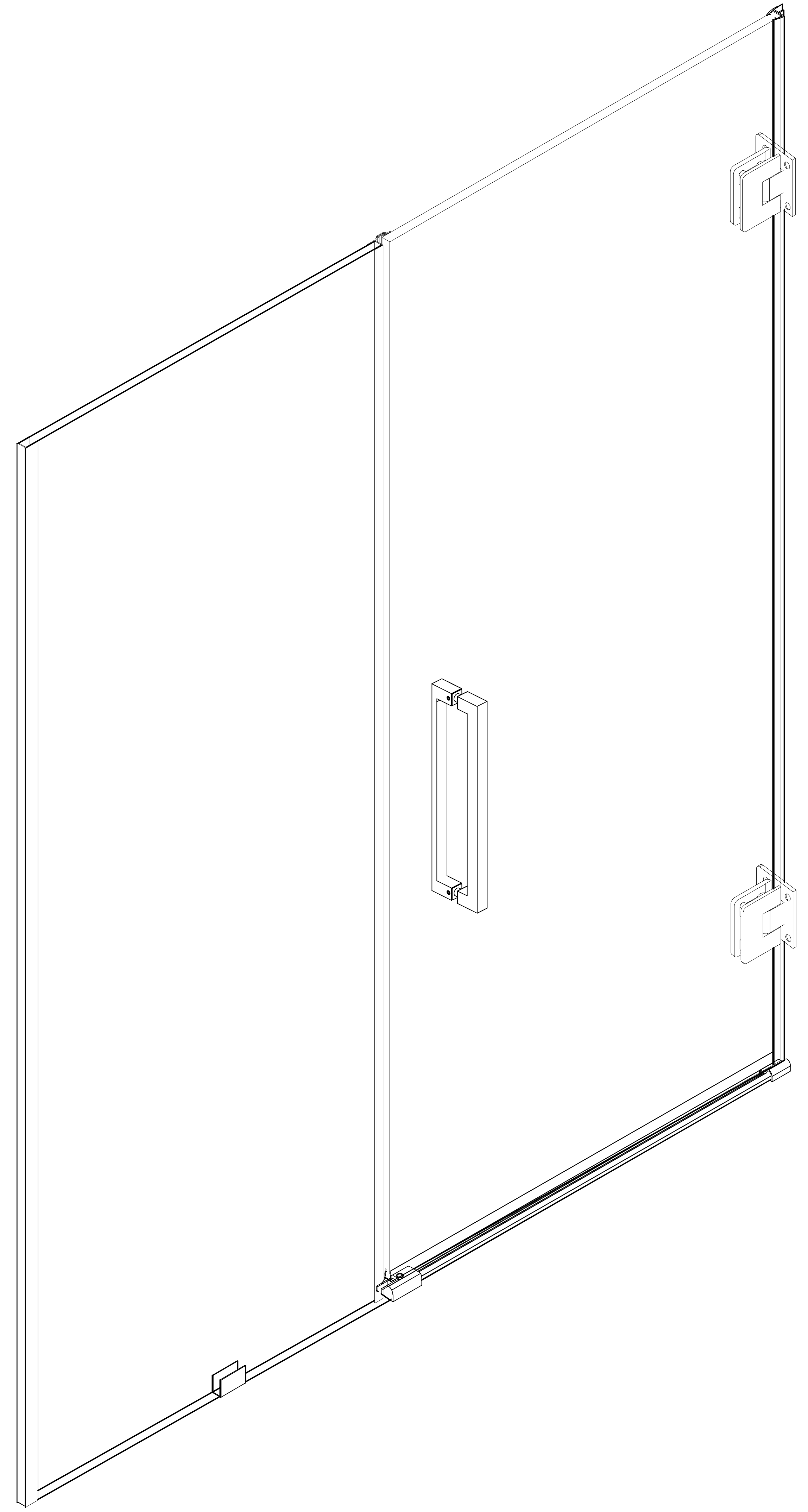


Shower Door Instruction Guide

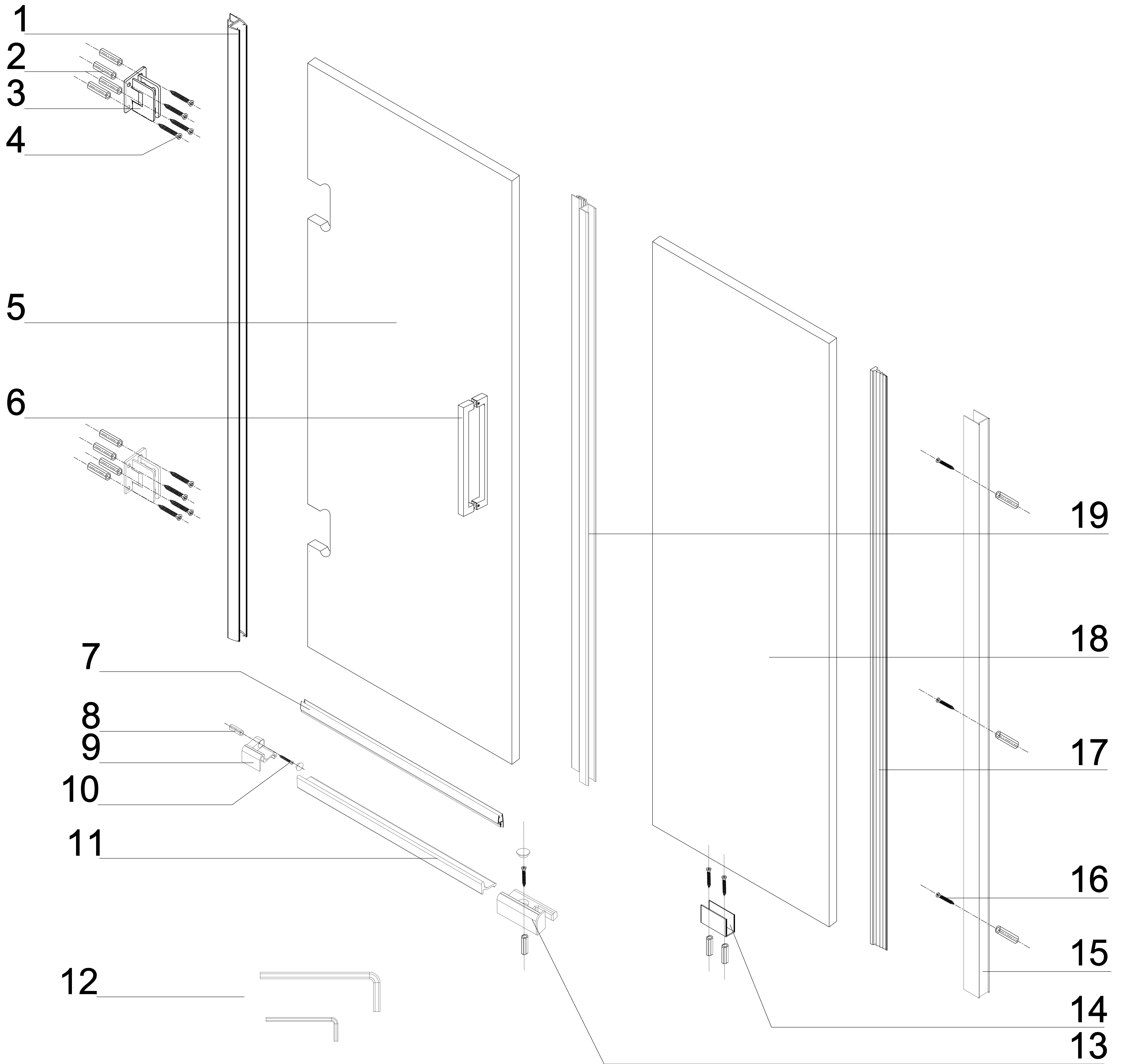


Left Hand Install



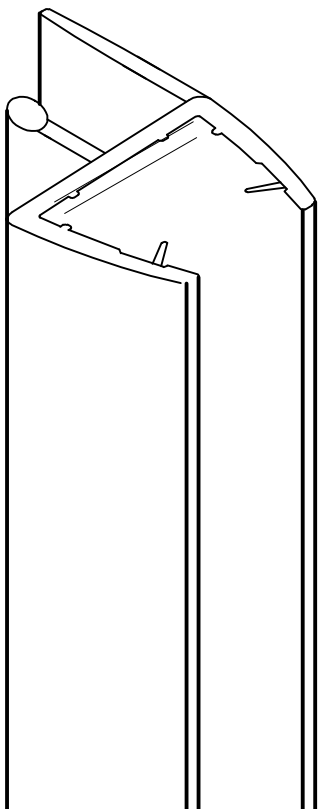
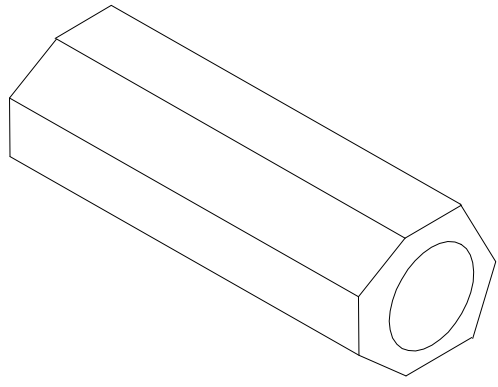
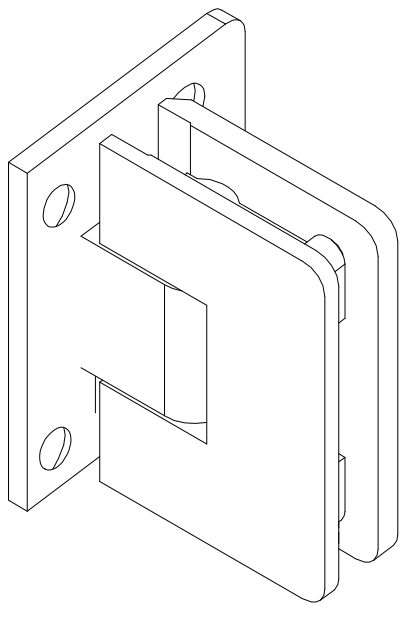
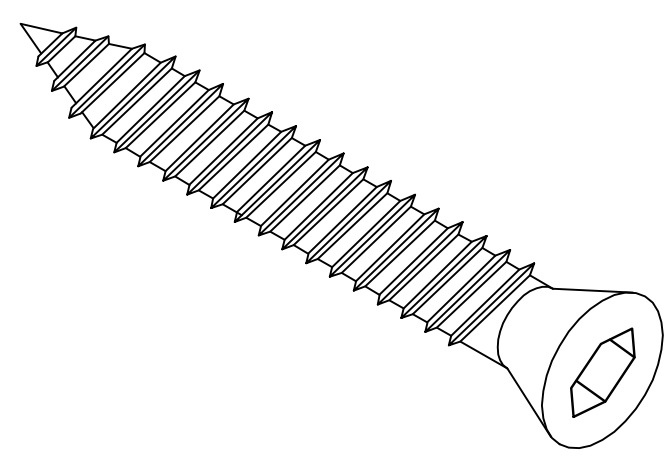
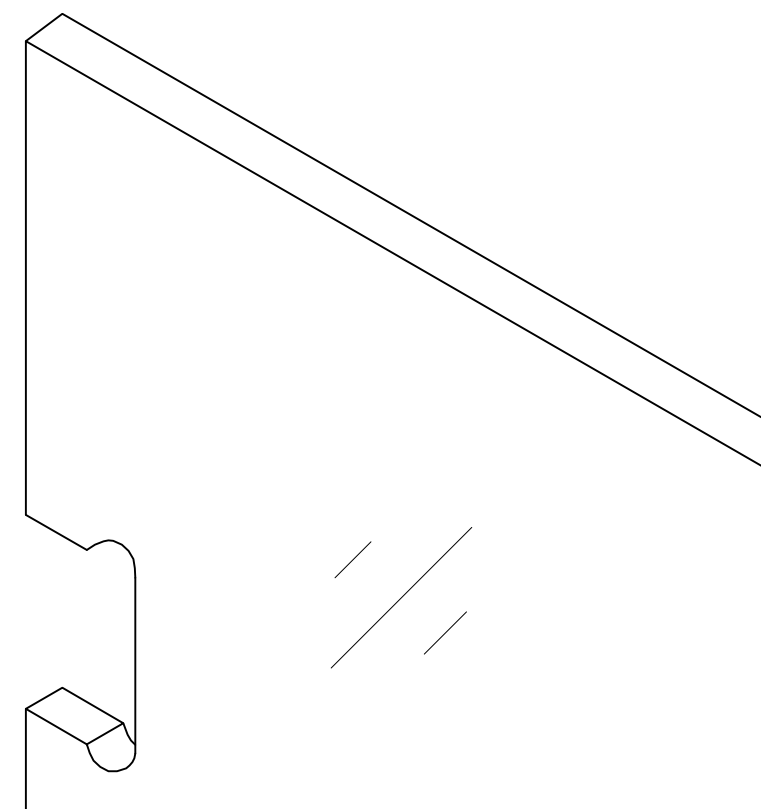
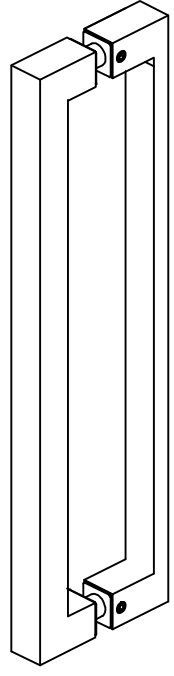
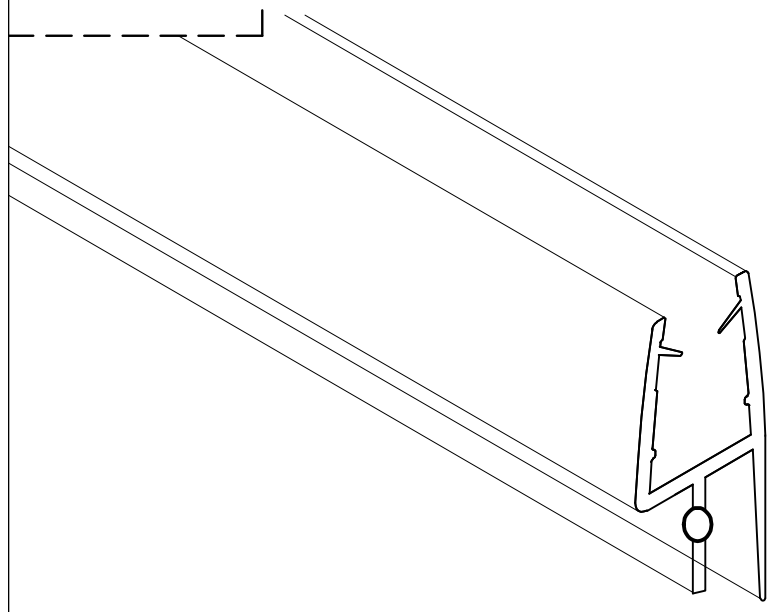
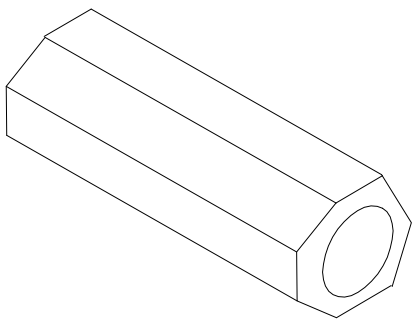
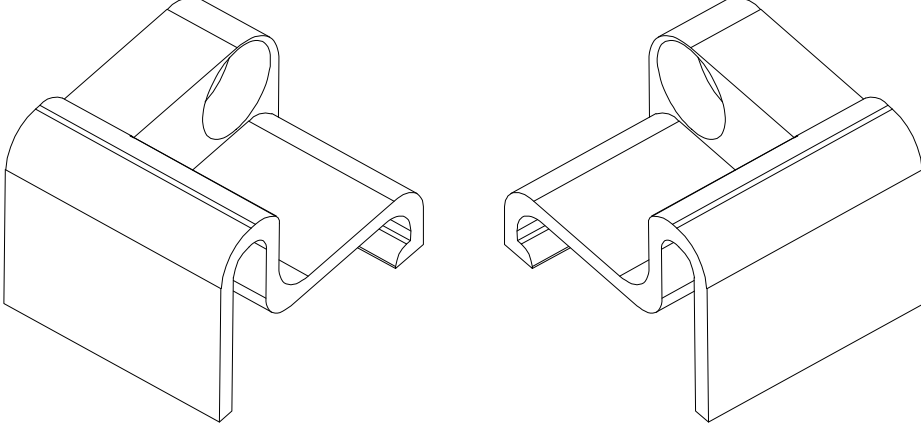
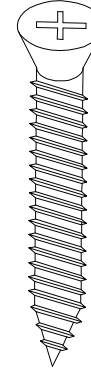
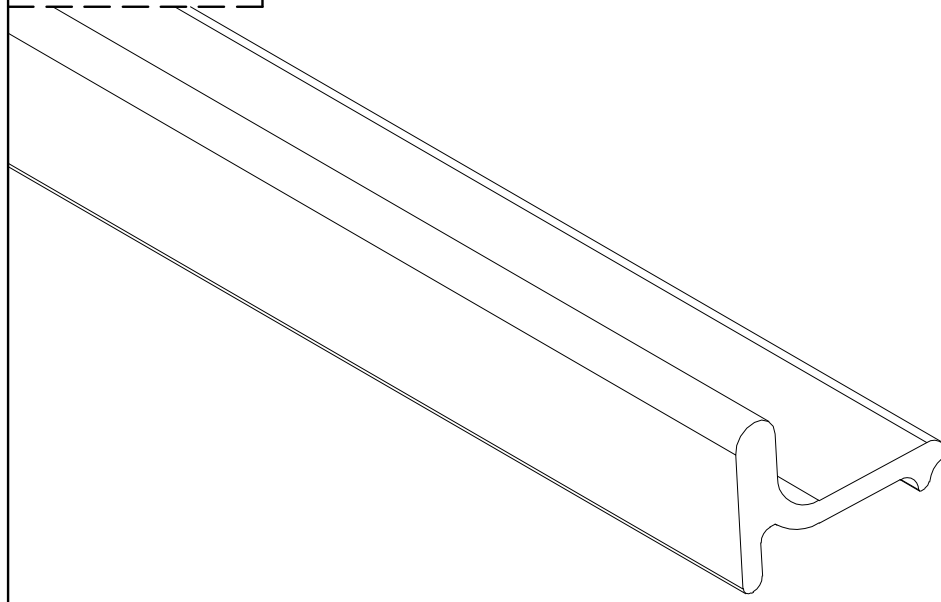
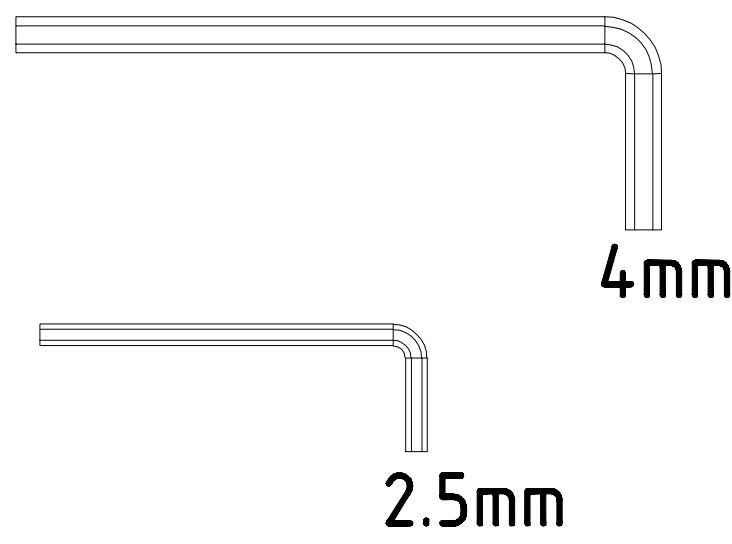
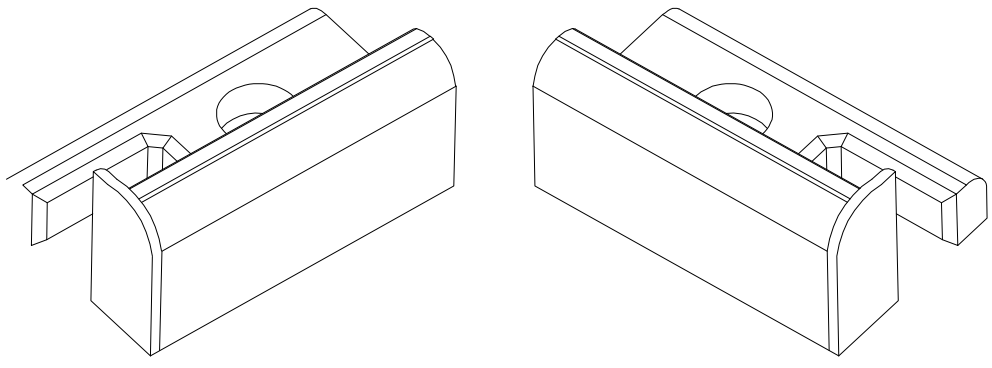
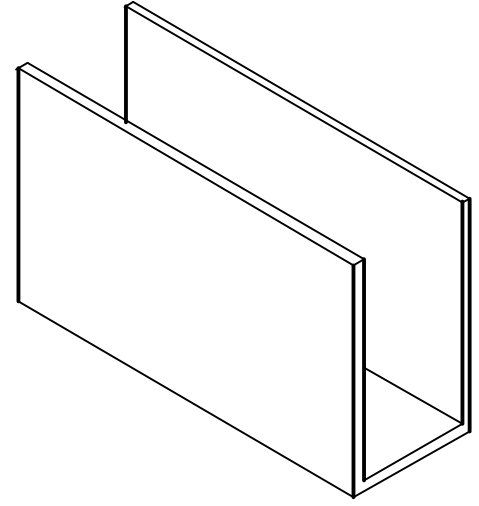
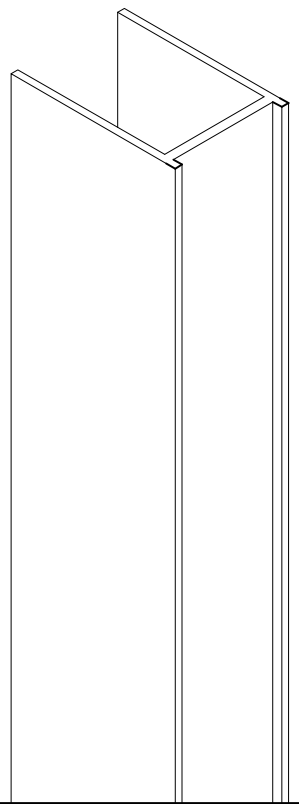
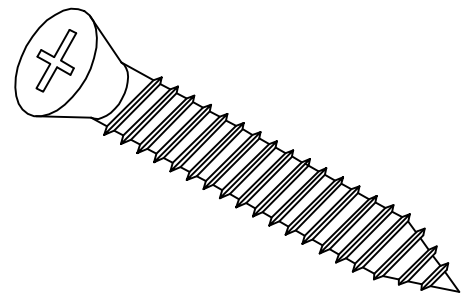
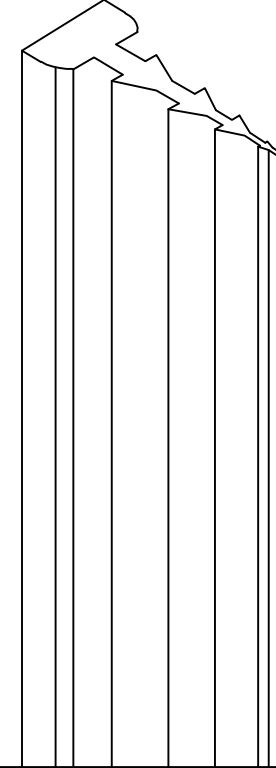
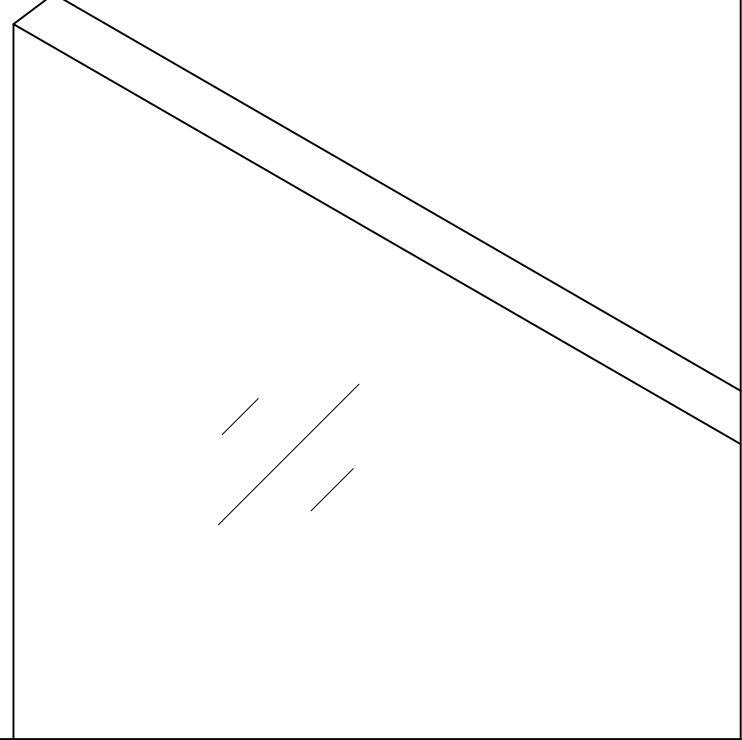
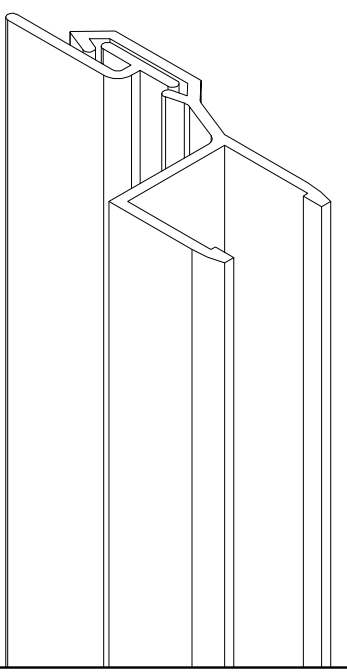
Right Hand Install

Detailed Diagram

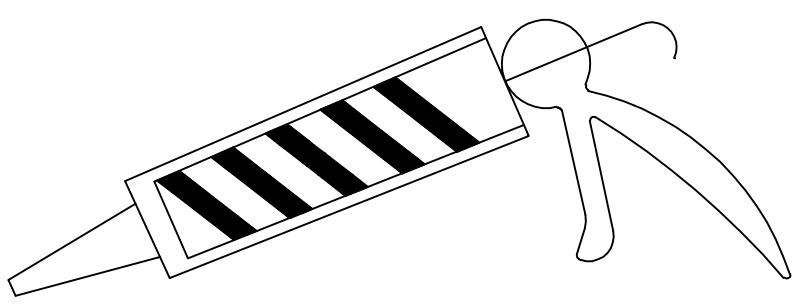
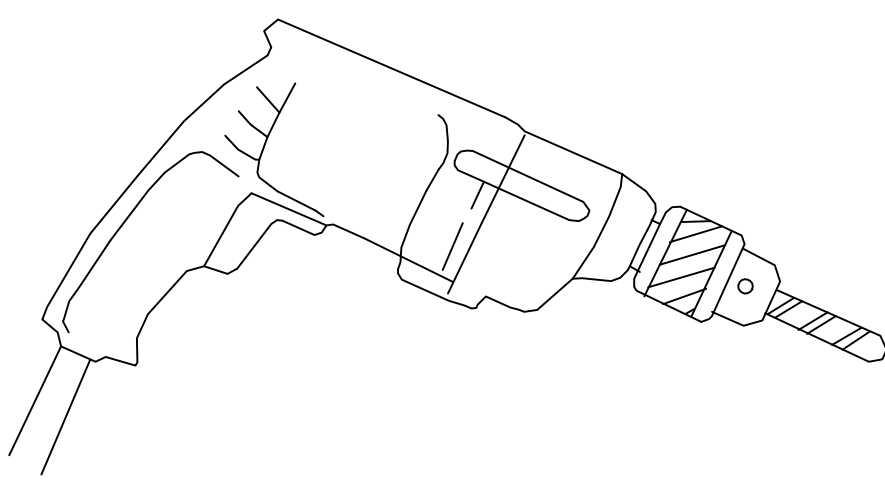
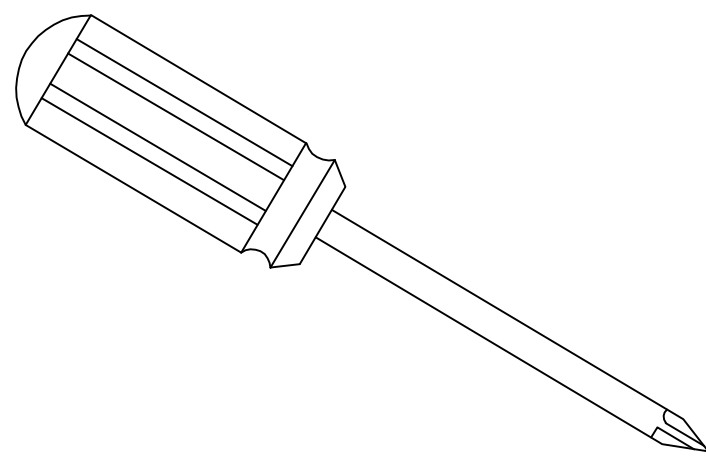
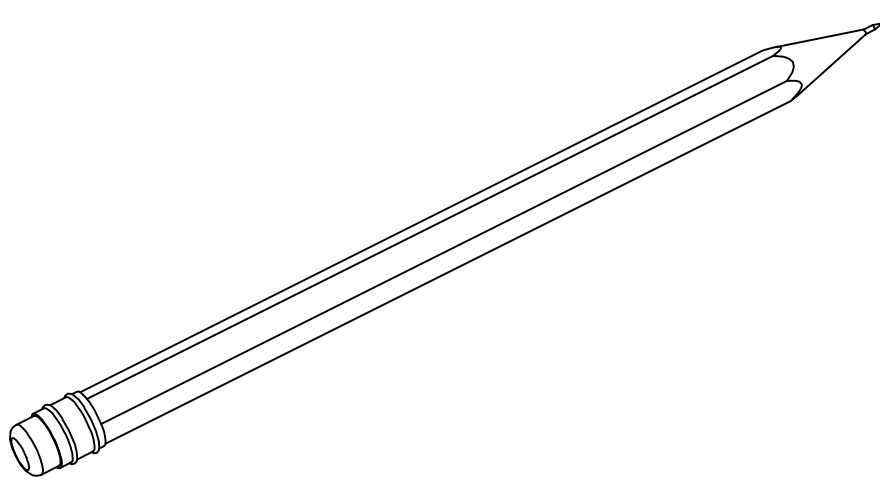
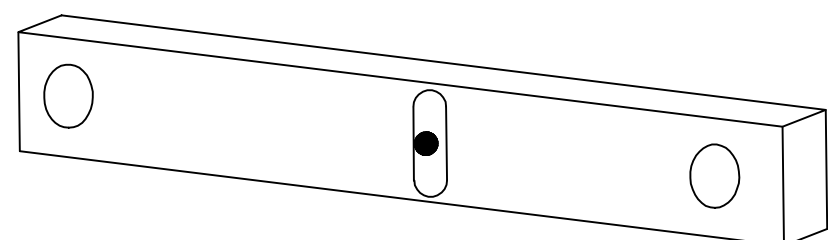
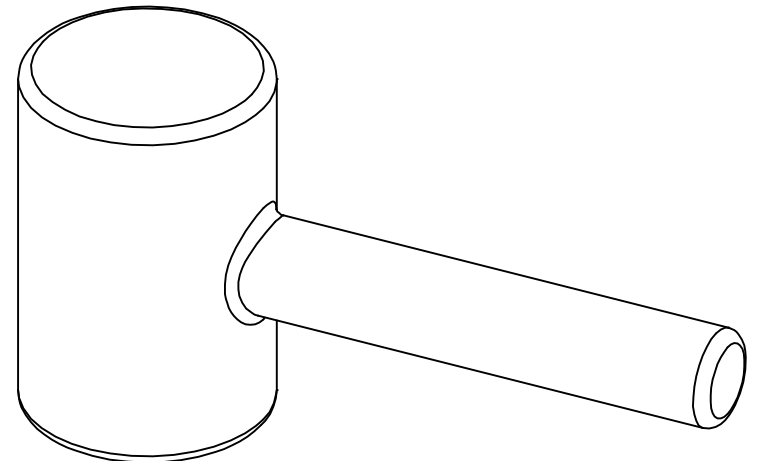
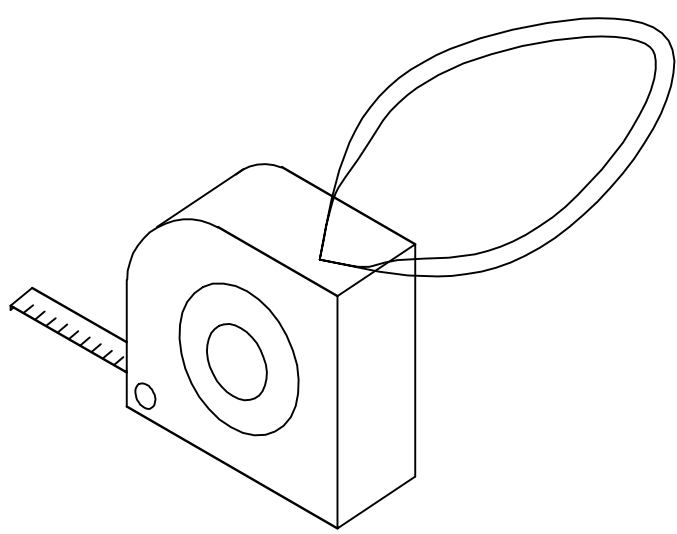
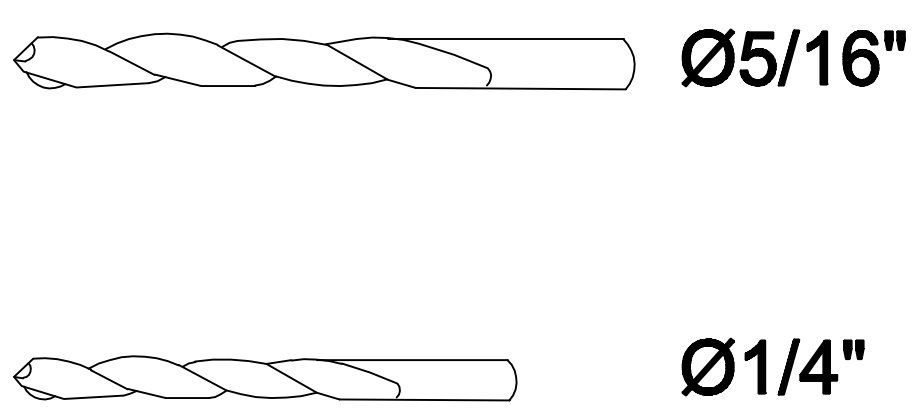
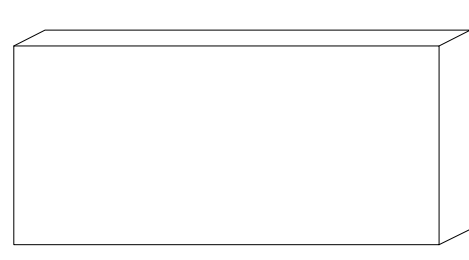
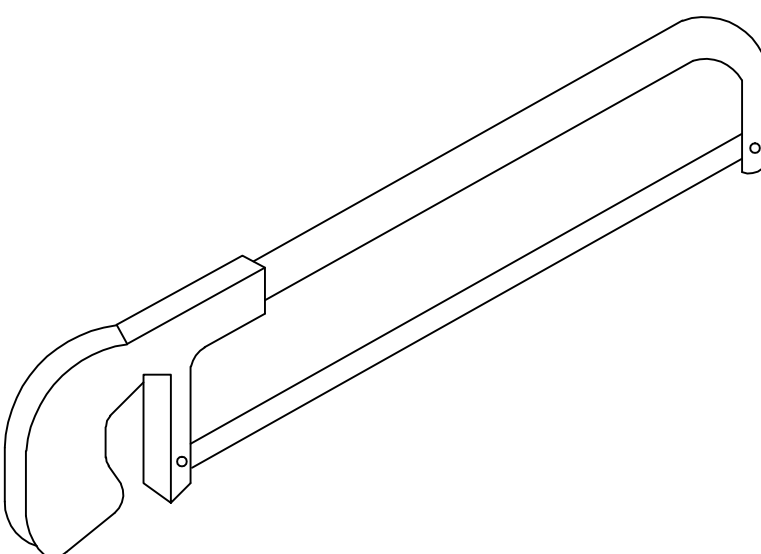




PART LIST

Check all parts according to the list before assembly . Feel free to contact with us if you need assistance .

1 	2 	3 	4 	5 	6 
Shower door side seal strip (1PC)	Plug 8*36(8PCS)	Wall-mounted shower door hinge(2PCS)	Screw 5*40(8PCS)	Movable shower door (1PC)	Door handle(1PC)
7 	8 	9 	10 	11 	12 
Shower door bottom seal strip(1PC)	Plug 6*28(7PCS)	Wall-mounted strip connector(2PCS)	Screw 4*20(4PCS)	Aluminum strip(1PC)	Allen Wrench(2PCS)
13 	14 	15 	16 	17 	18 
Strip connector(2PCS)	Shower glass clamp(1PC)	Wall-mounted stabilizer strip for fixed panel(1PC)	Screw 4*30(3PCS)	One-sided plastic strip(1PC)	Fixed panel(1PC)
19 					
Shower door side seal strip(1PC)					

Recommended Tools

					
Silicone	Drill	Philips Screw Driver	Pencil	Level	Rubber Mallet
					
Tape Measure	Drill Bit Ø5/16" Ø1/4"	Wooden Jam	Hacksaw	Safety Glass	Safety Gloves

Utilize Safety Glasses and Safety Gloves when constructing this shower door

Product installation attention and maintenance

Note: When installing, the glass corner protector cannot be dropped. And glass corners cannot touch the ground

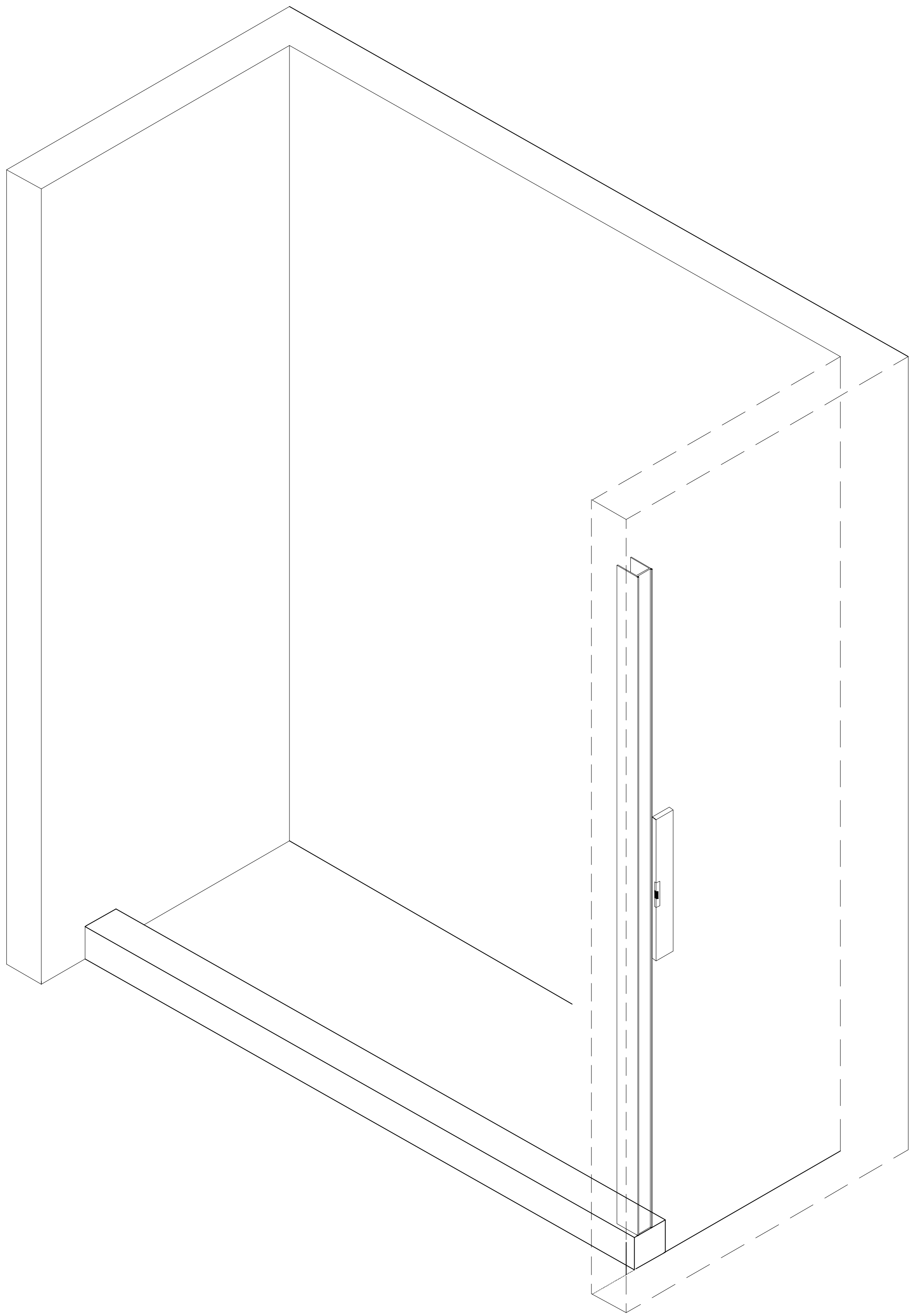
GLASS: To ensure long lasting life for your glass shower products: wipe them off after each use with a soft cloth. Rinse and wipe off the glass using either a soft cloth or a squeegee to prevent soap buildup and water spots (Hard water can etch the surface of the glass over time if left to dry). To prevent scratching the surface: never use abrasive cleaners or cleaning products that contain scouring agents. Never use bristle brushes or abrasive sponges that may scratch the surface.

HARDWARE: To ensure a long lasting finish: wipe off the metal parts after each use with a soft cloth. Do not use abrasive cleaners or cleaning products containing ammonia, bleach or acid. If accidentally used, rinse the surface as soon as possible to prevent damage to the finish (peeling or corrosion). After cleaning the polished finishes, rinse thoroughly and wipe dry with soft cloth. Clean stainless steel surfaces at least once a week. When applying stainless steel cleaner or polish to stainless steel hardware, work with (not across) the grain. Never use an abrasive sponge or cloth, steel wool or wired brush as these may permanently scratch the surfaces.

Left Hand Assembly

STEP 1

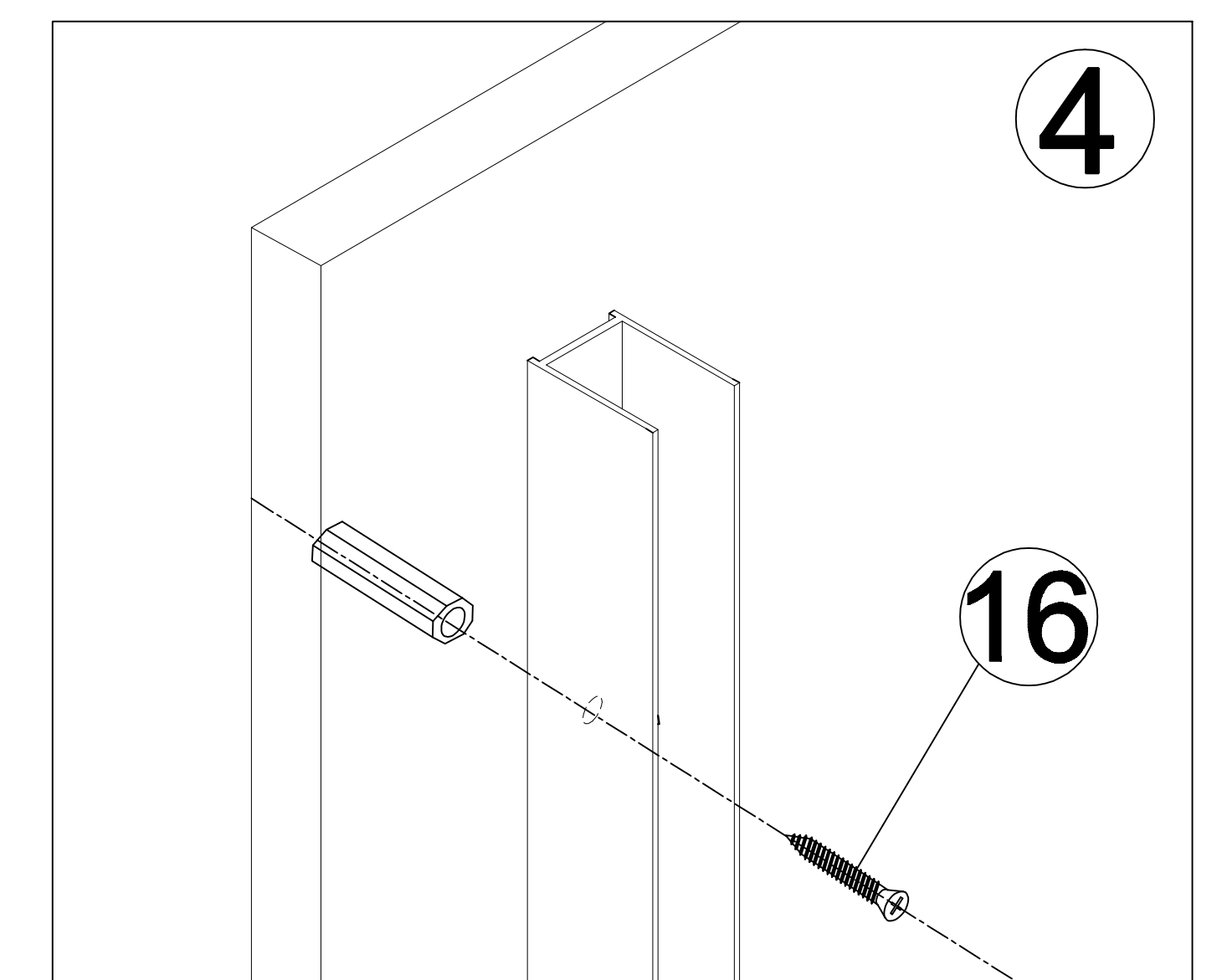
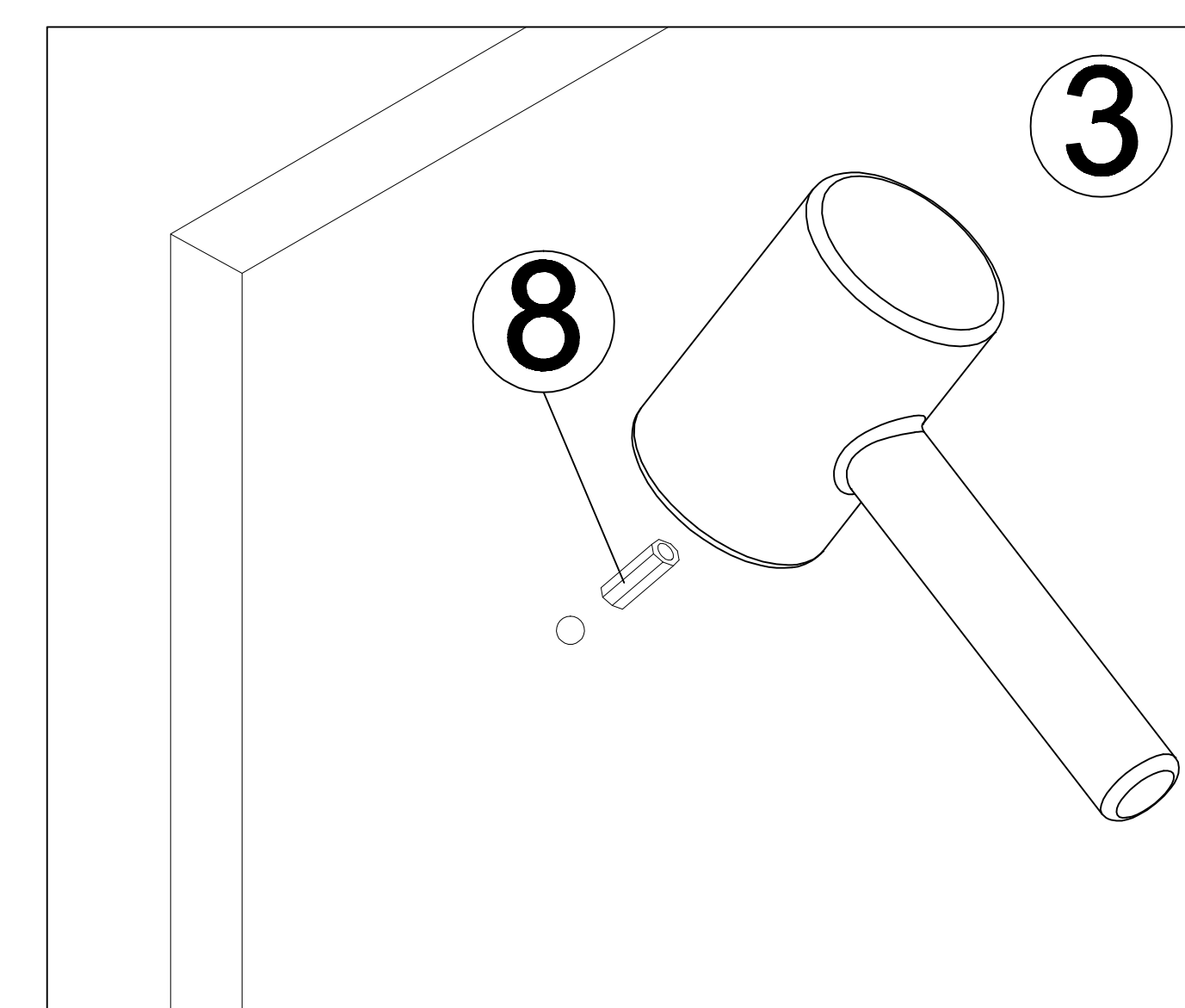
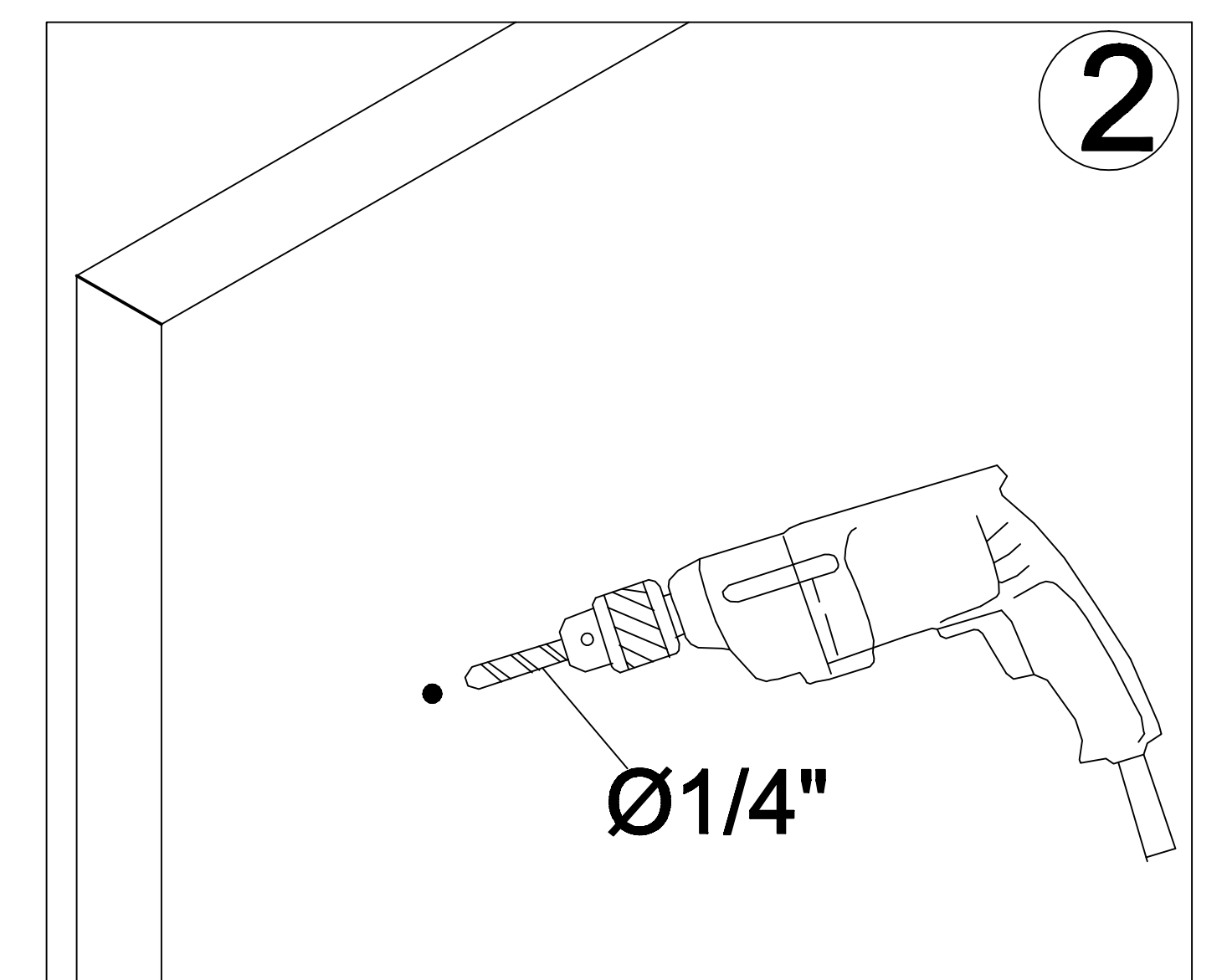
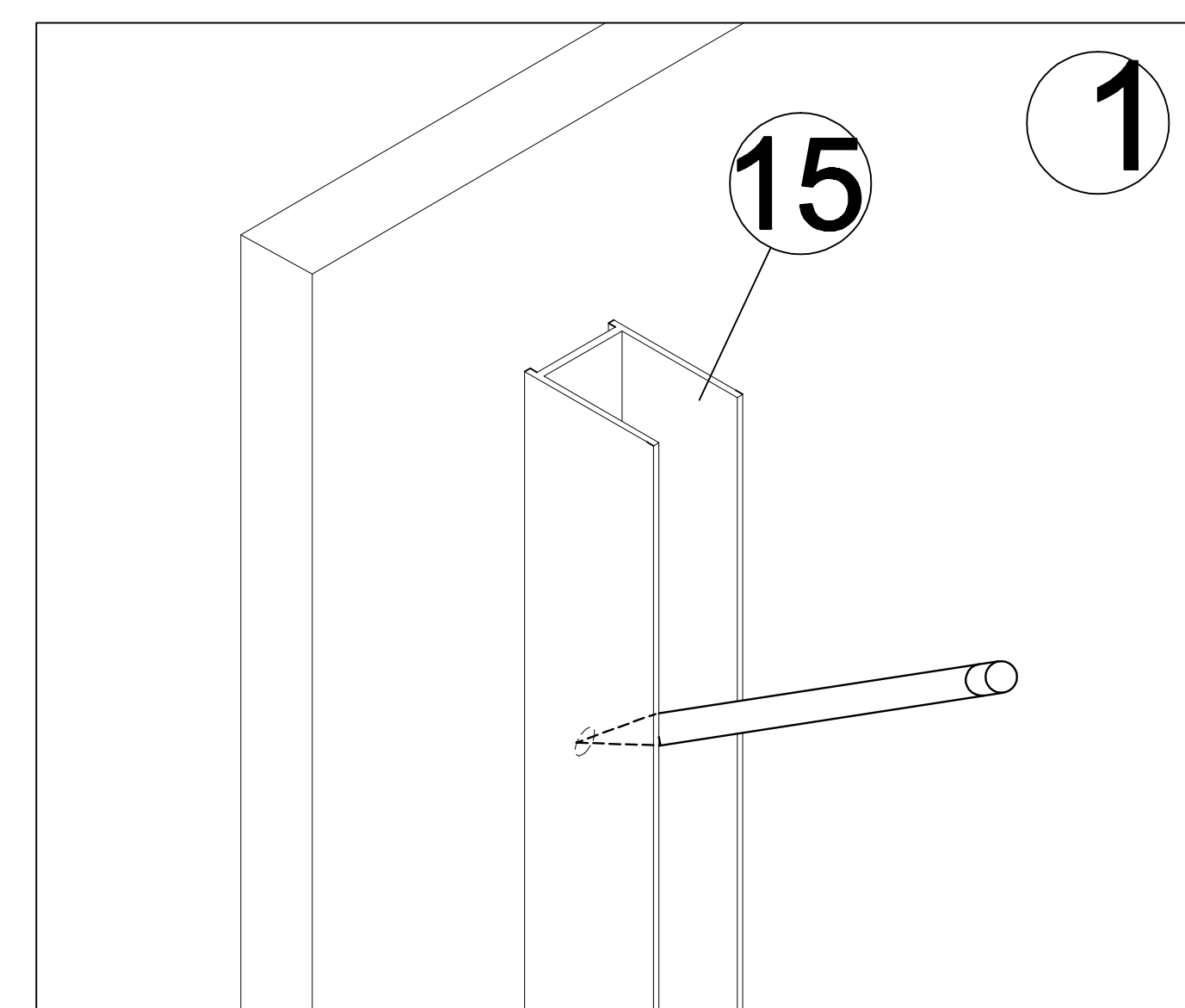
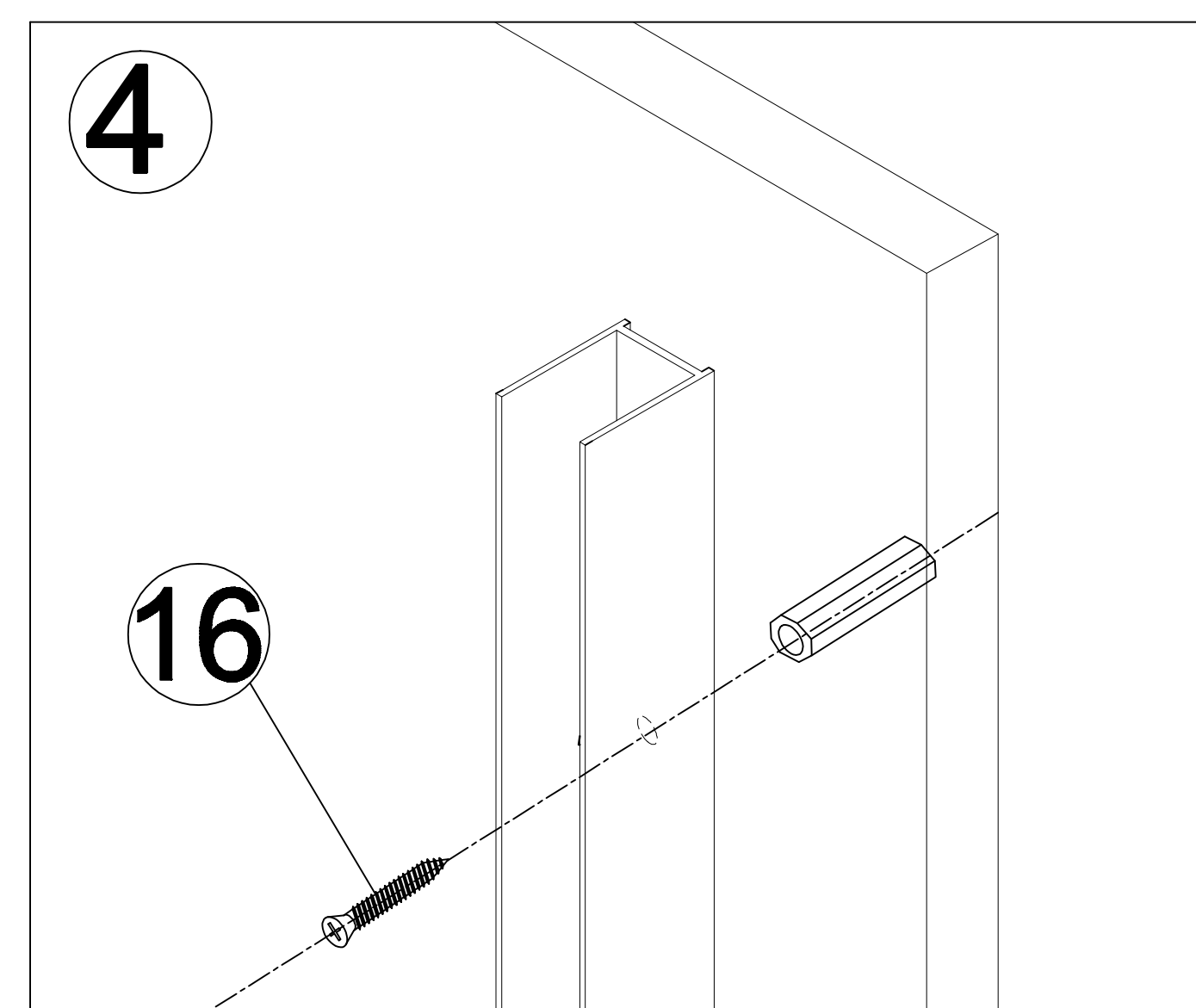
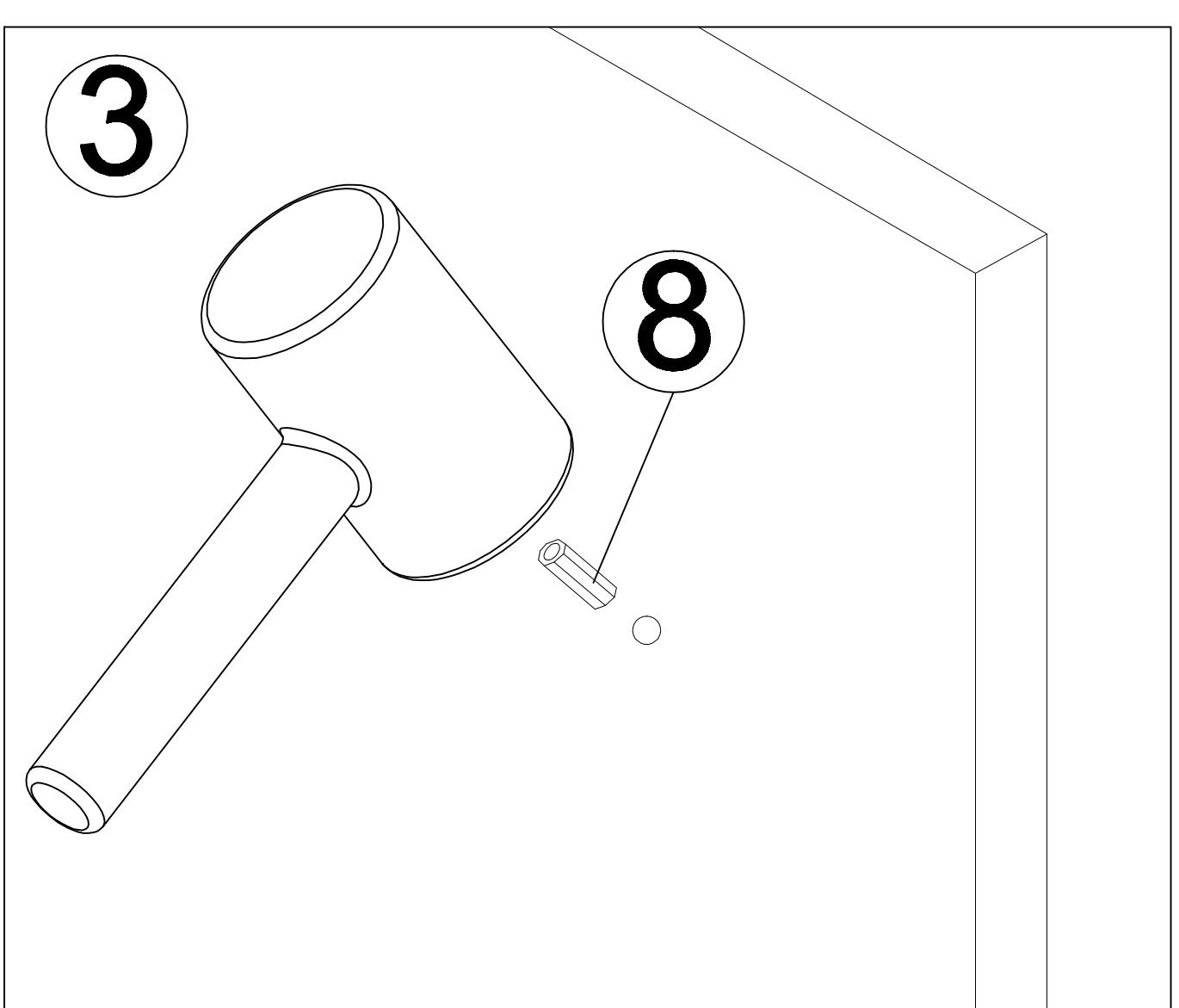
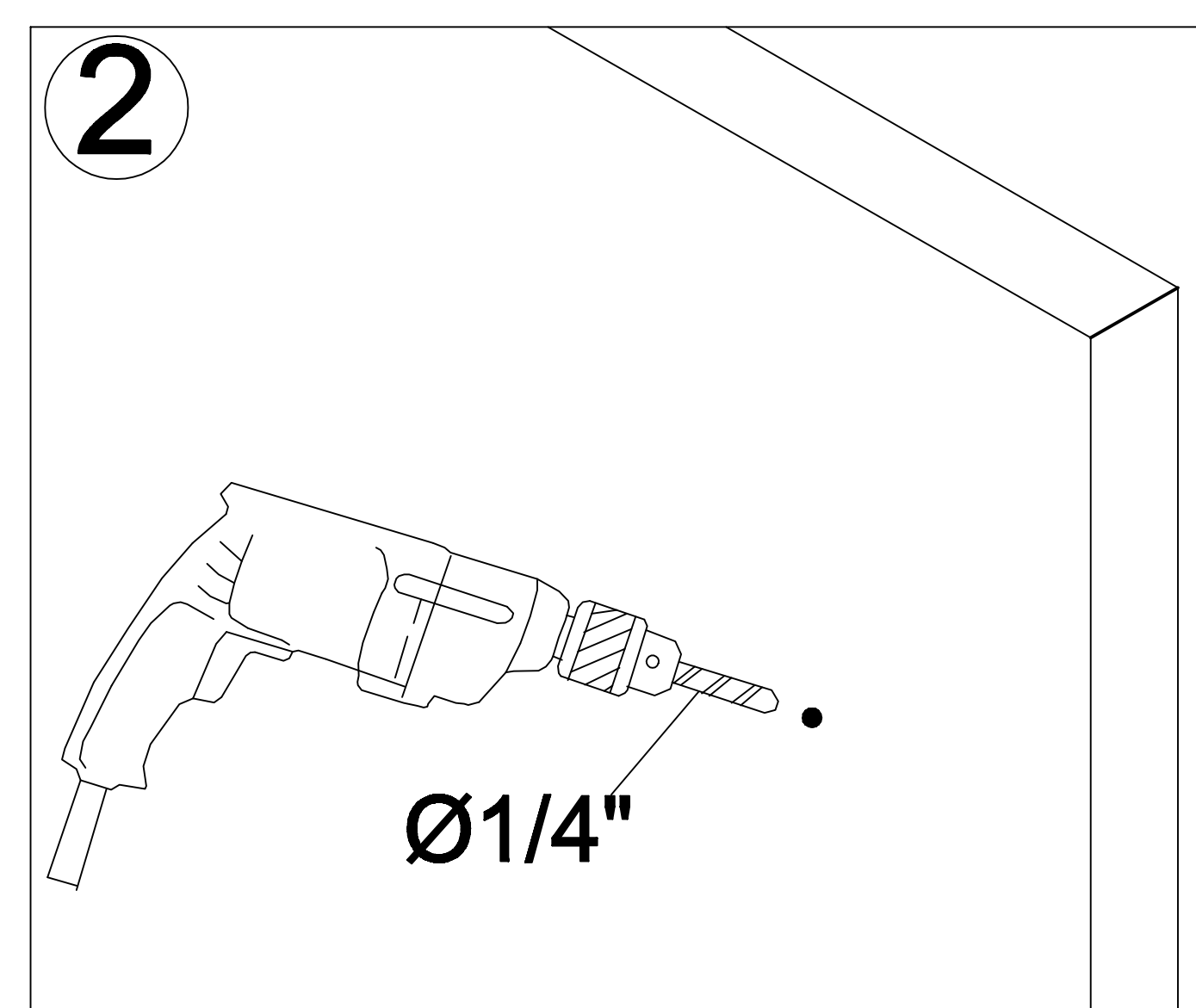
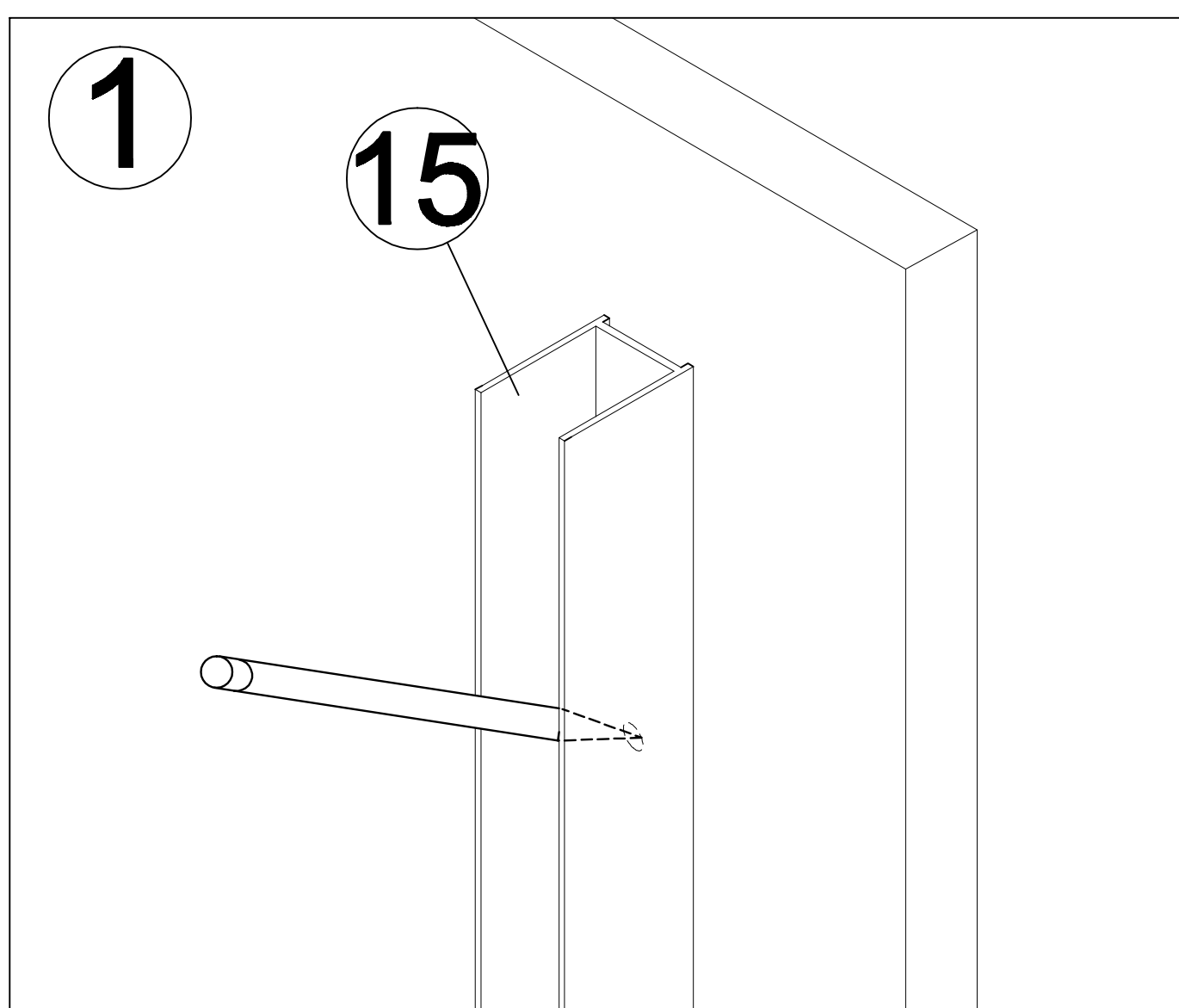
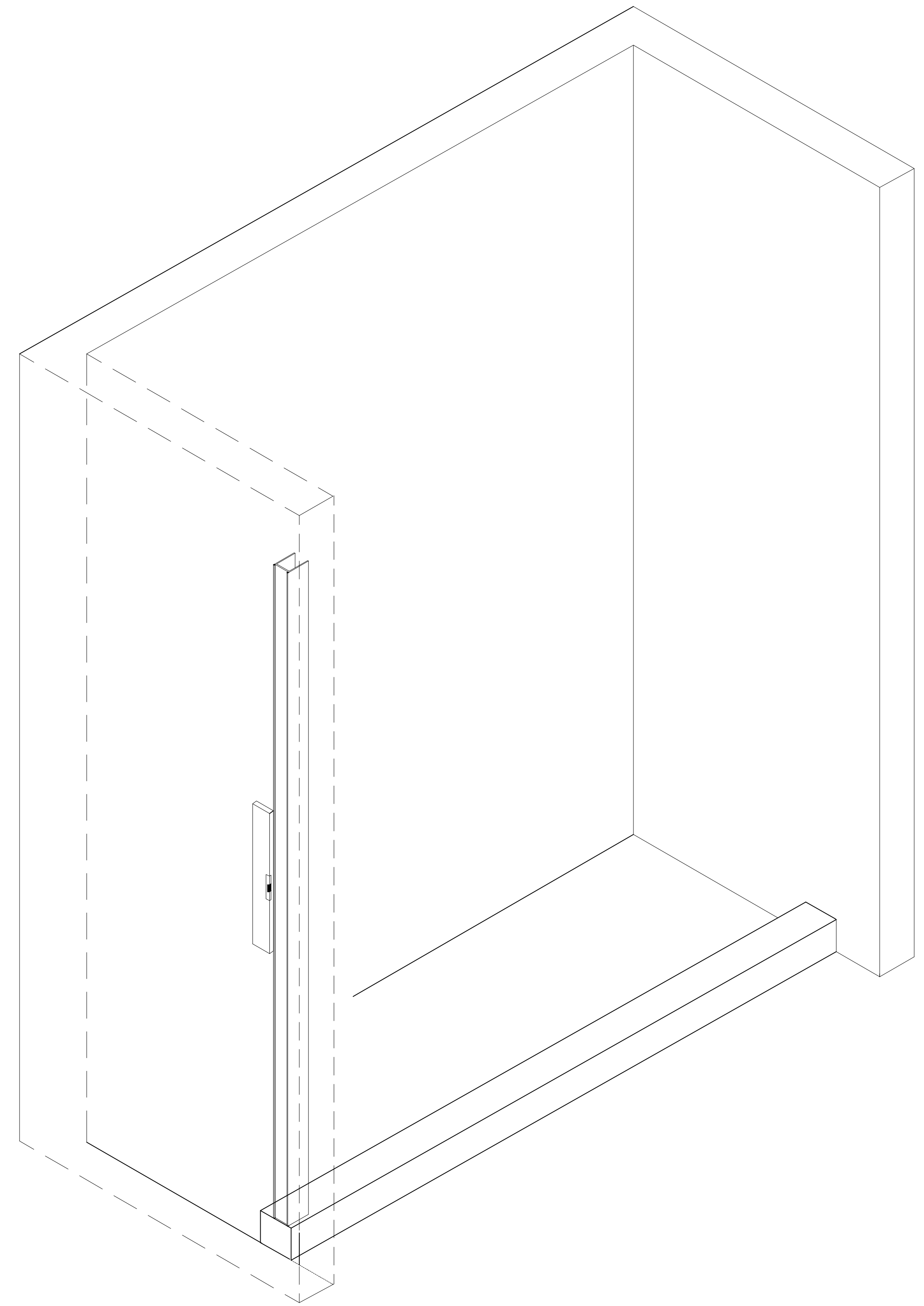
1. Hold wall-mounted stabilizer strip for fixed panel(15) against the wall, level it vertical and mark the hole positions with pencil.
2. Take off wall-mounted stabilizer strip(15) and drill holes on markings.
3. Hammer the plug 6*28(8) into hole.
4. Secure wall-mounted stabilizer strip(15) with 4*30 screws(16).



Right Hand Assembly

STEP 1

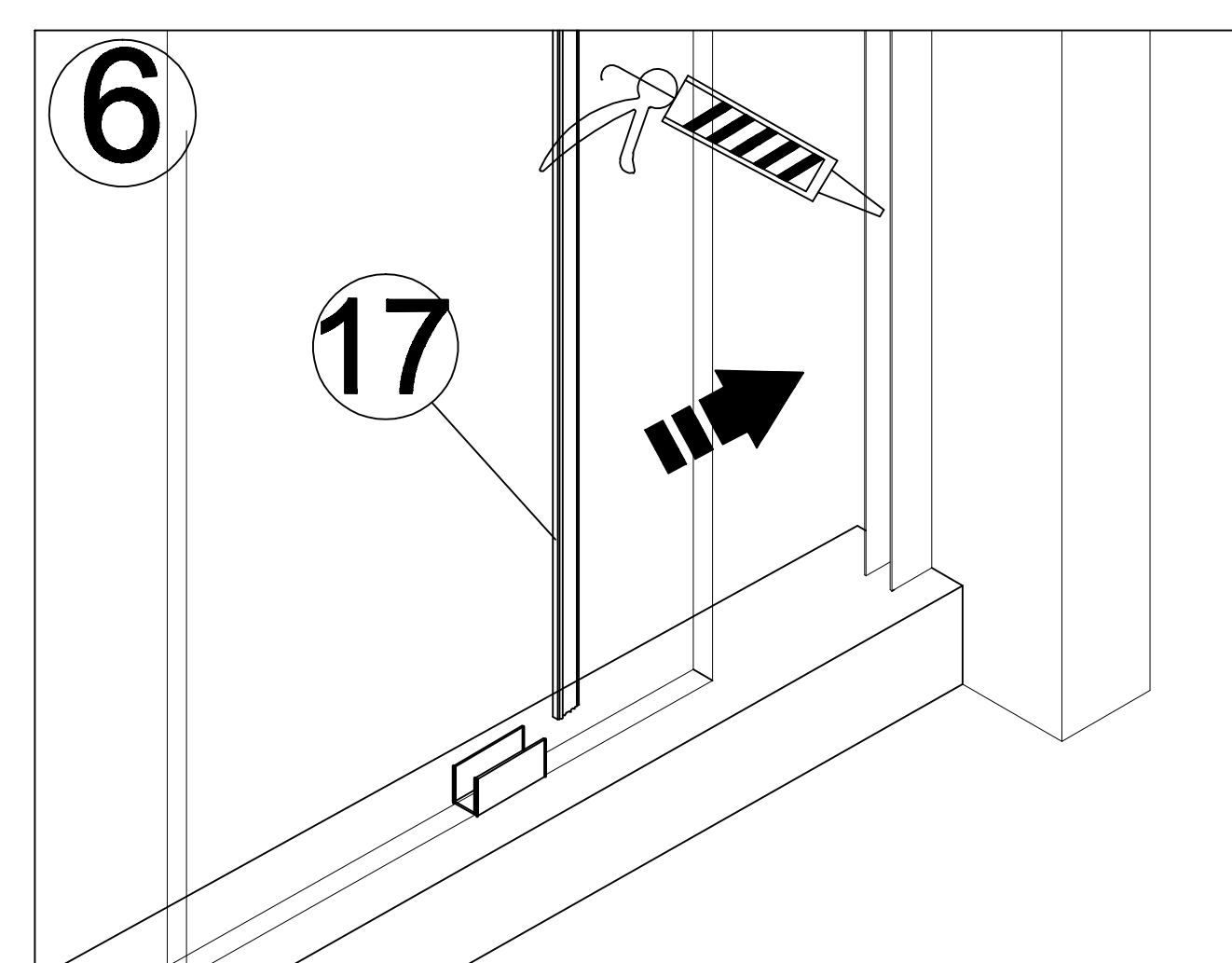
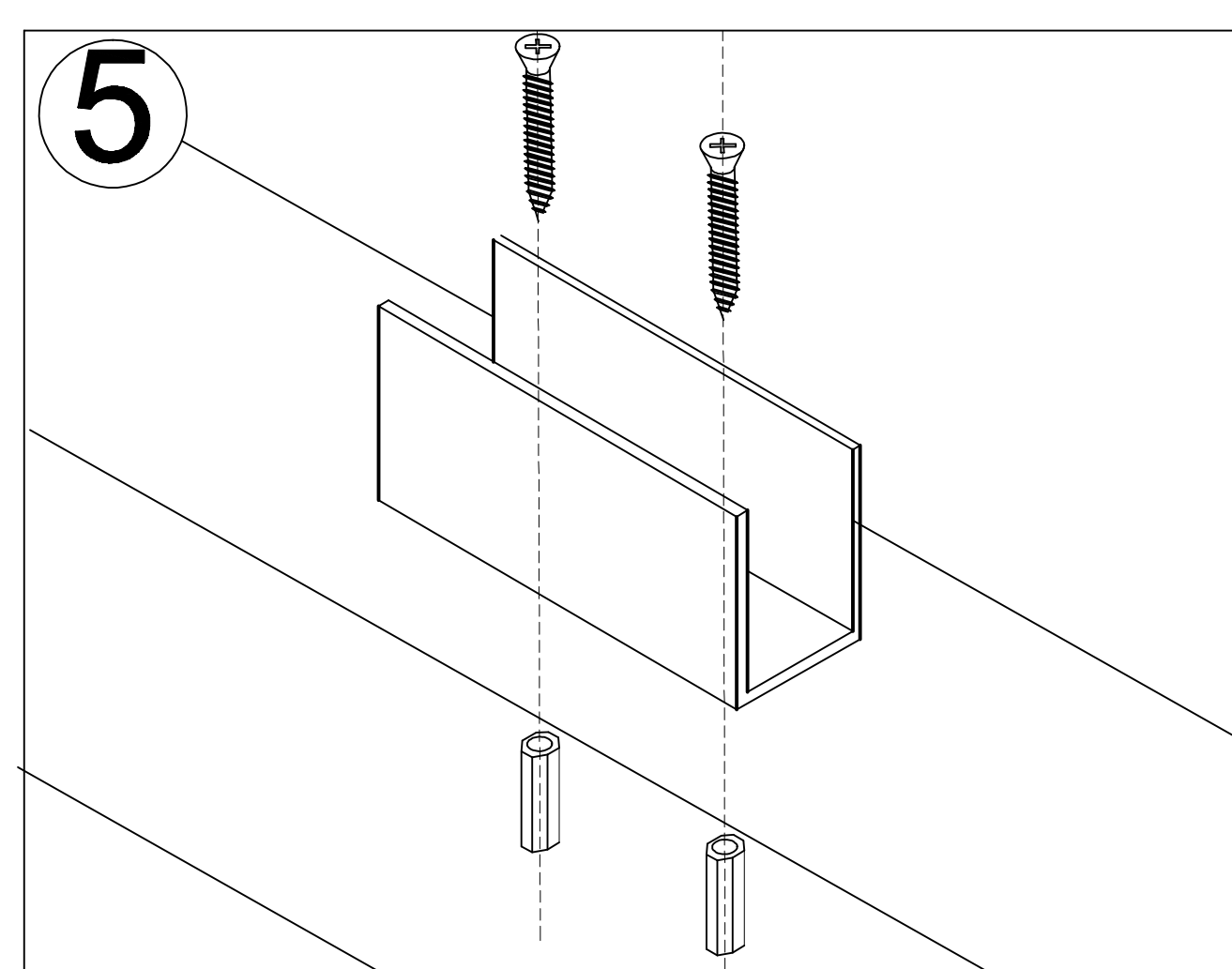
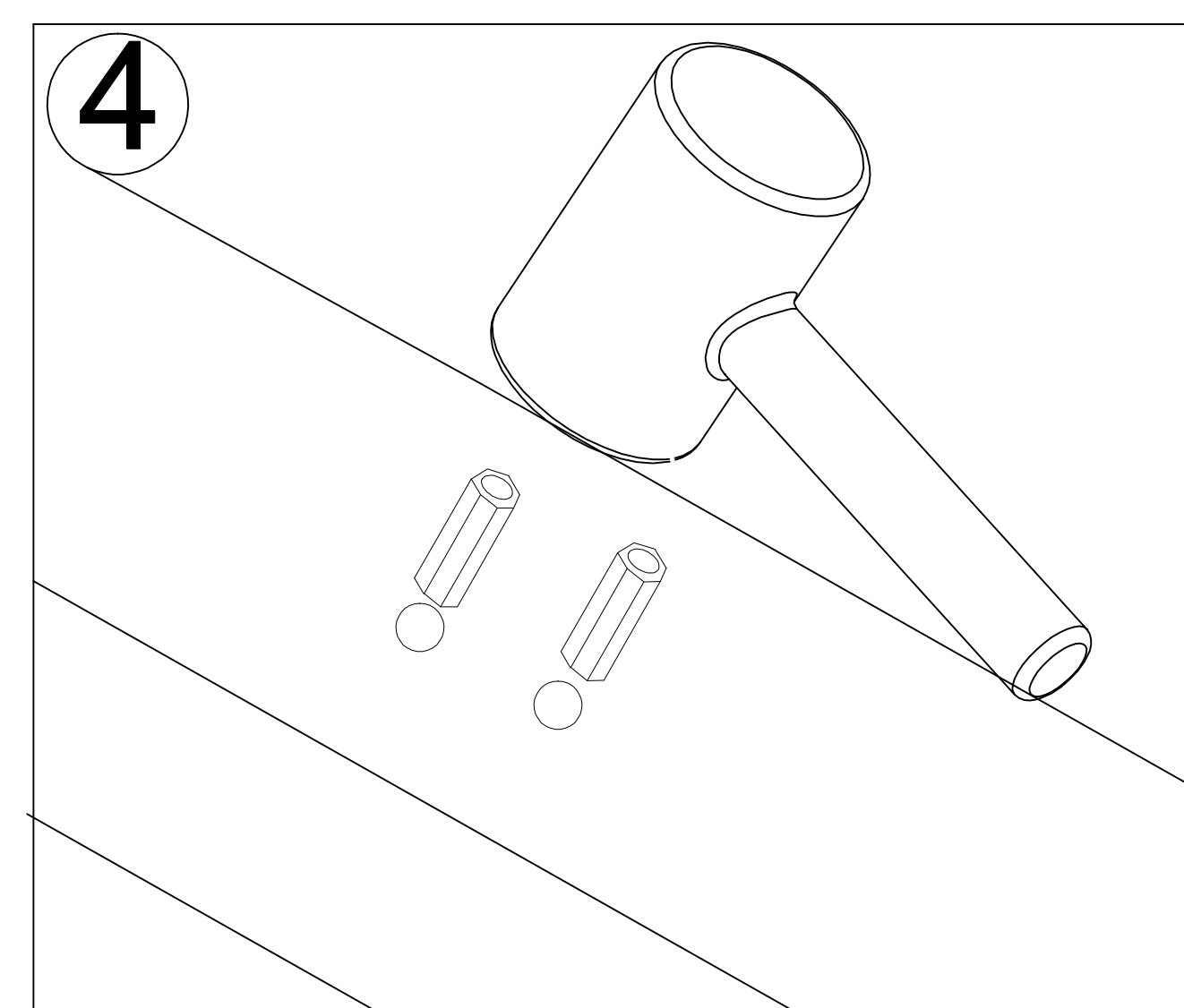
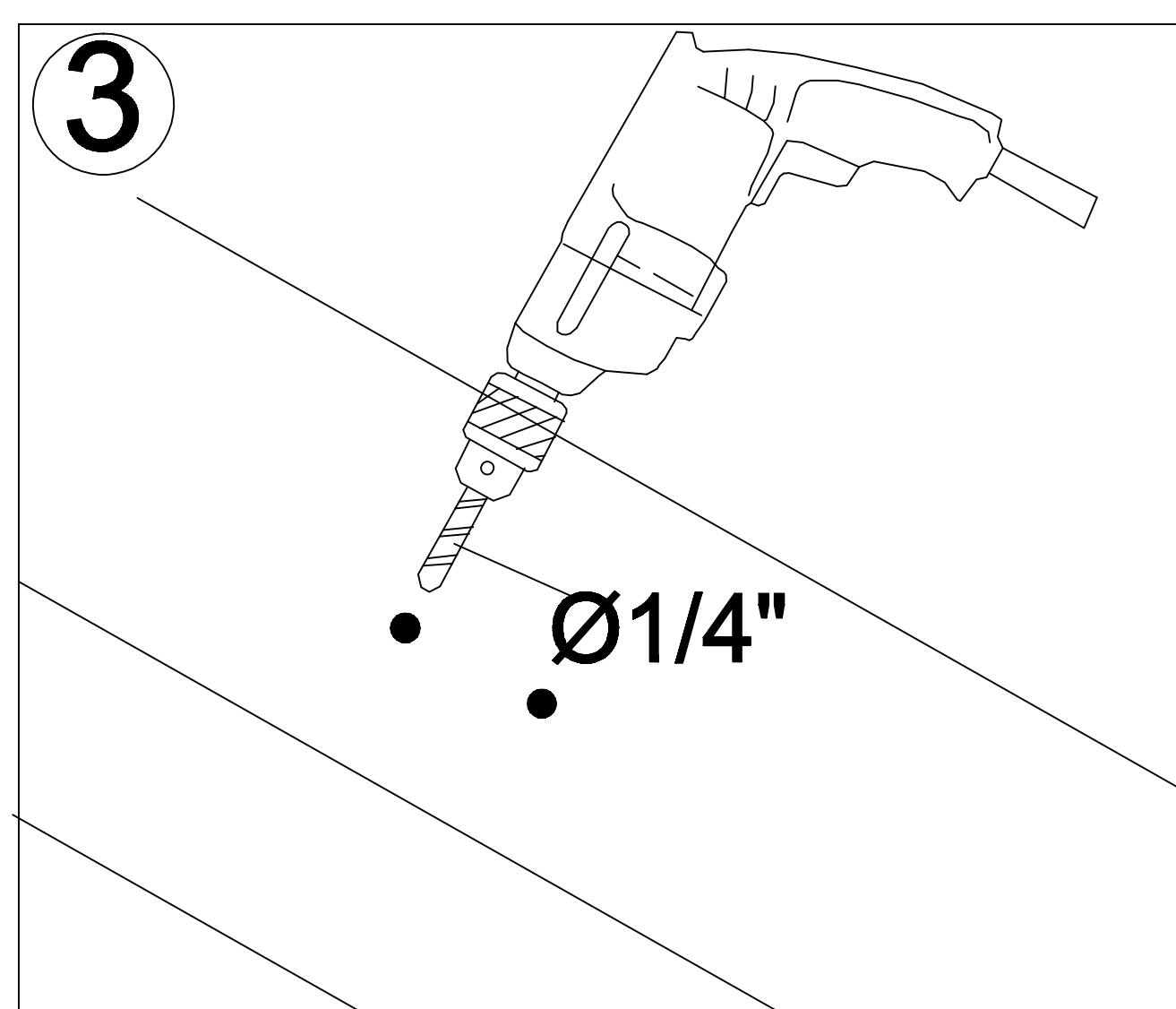
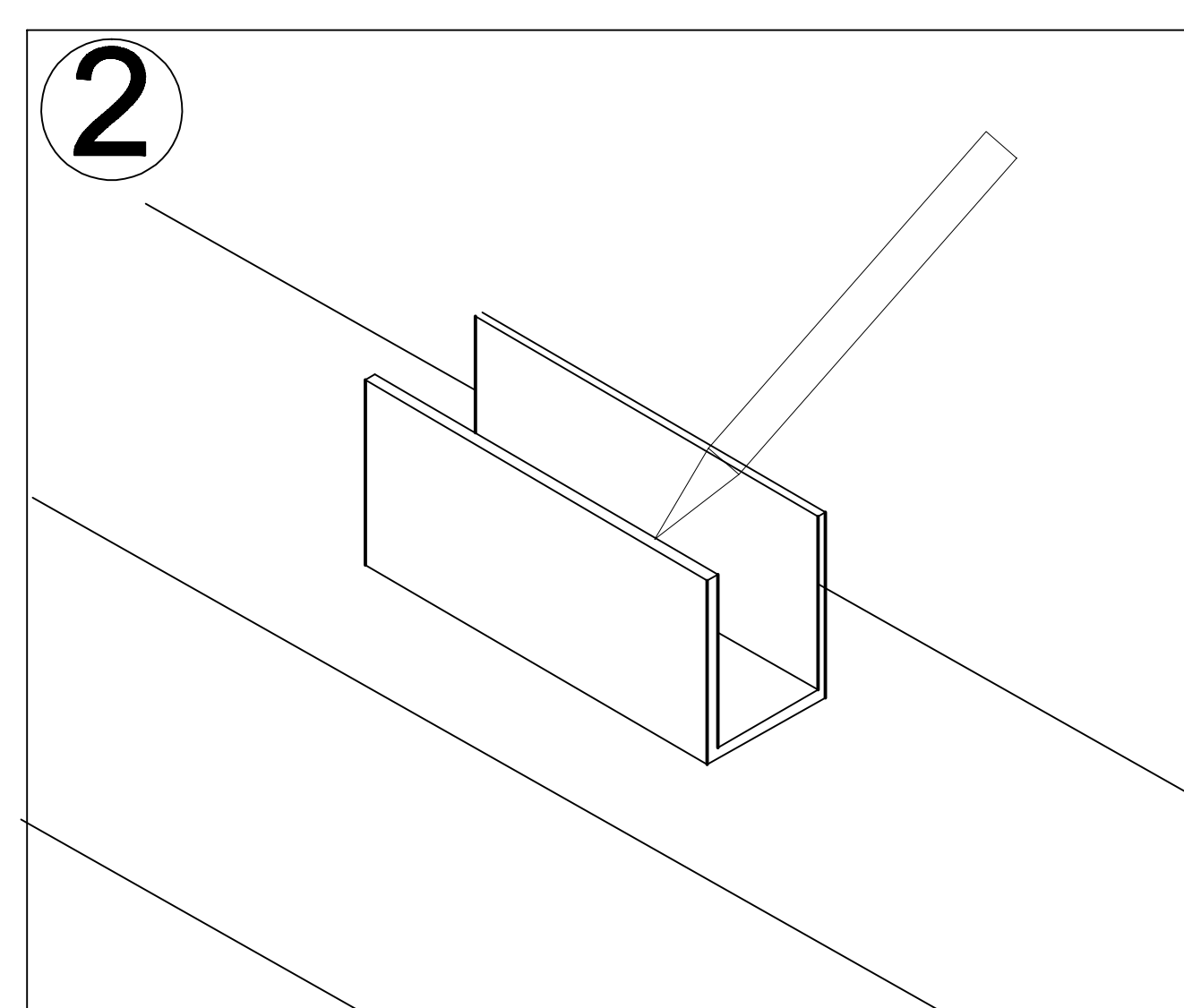
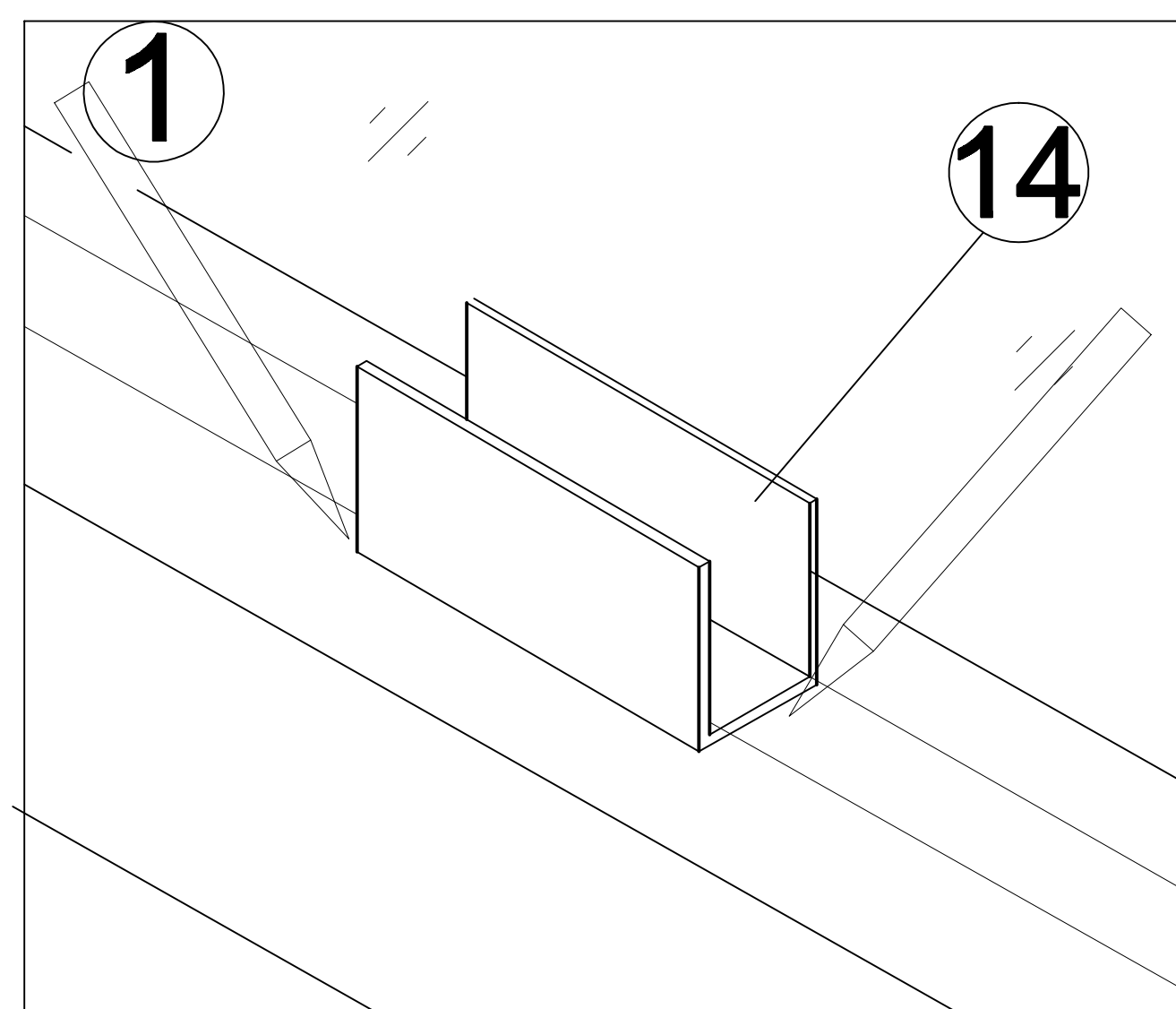
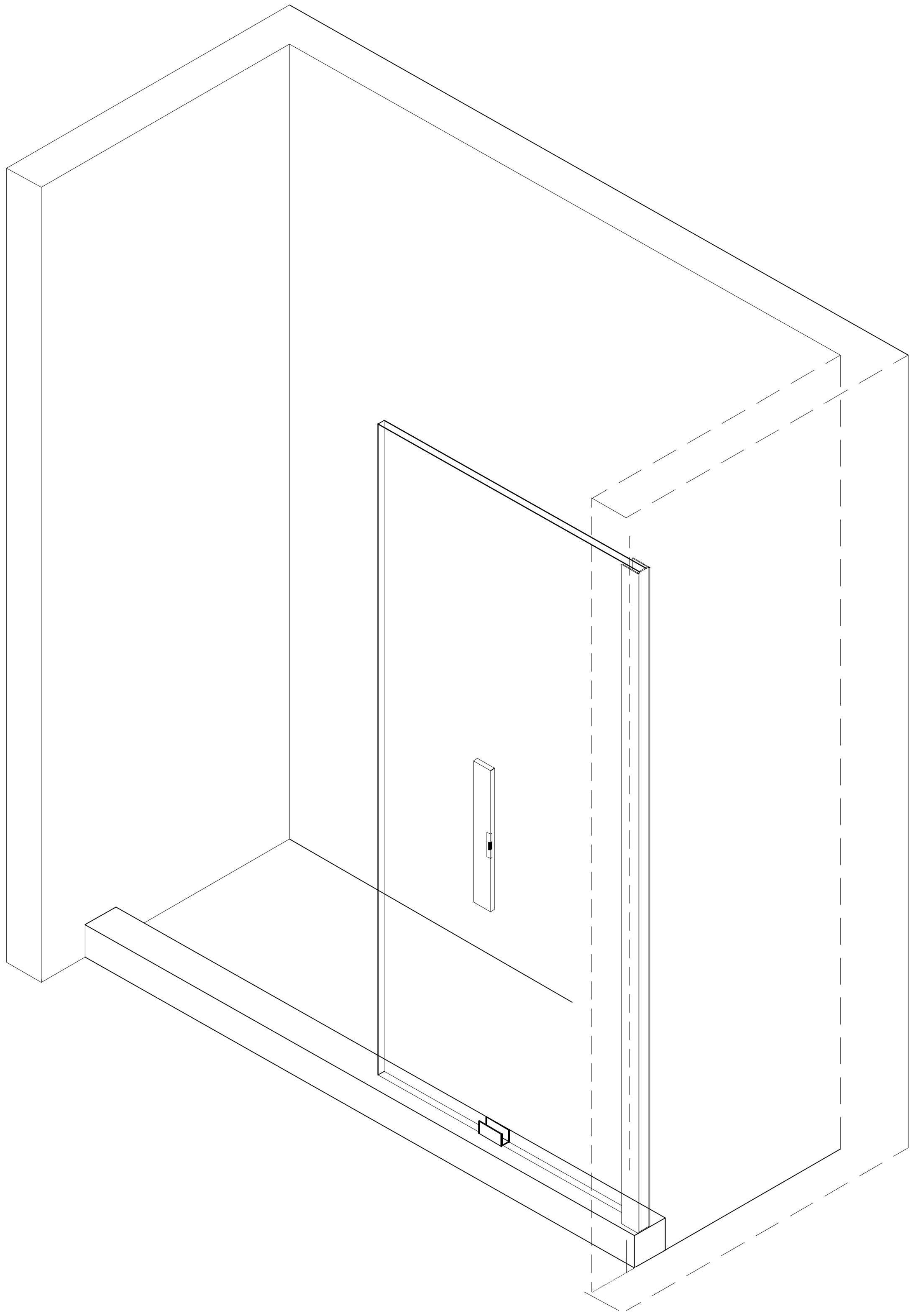
1. Hold wall-mounted stabilizer strip for fixed panel(15) against the wall, level it vertical and mark the hole positions with pencil.
2. Take off wall-mounted stabilizer strip(15) and drill holes on markings.
3. Hammer the plug 6*28(8) into hole.
4. Secure wall-mounted stabilizer strip(15) with 4*30 screws(16).



Left Hand Assembly

STEP 2

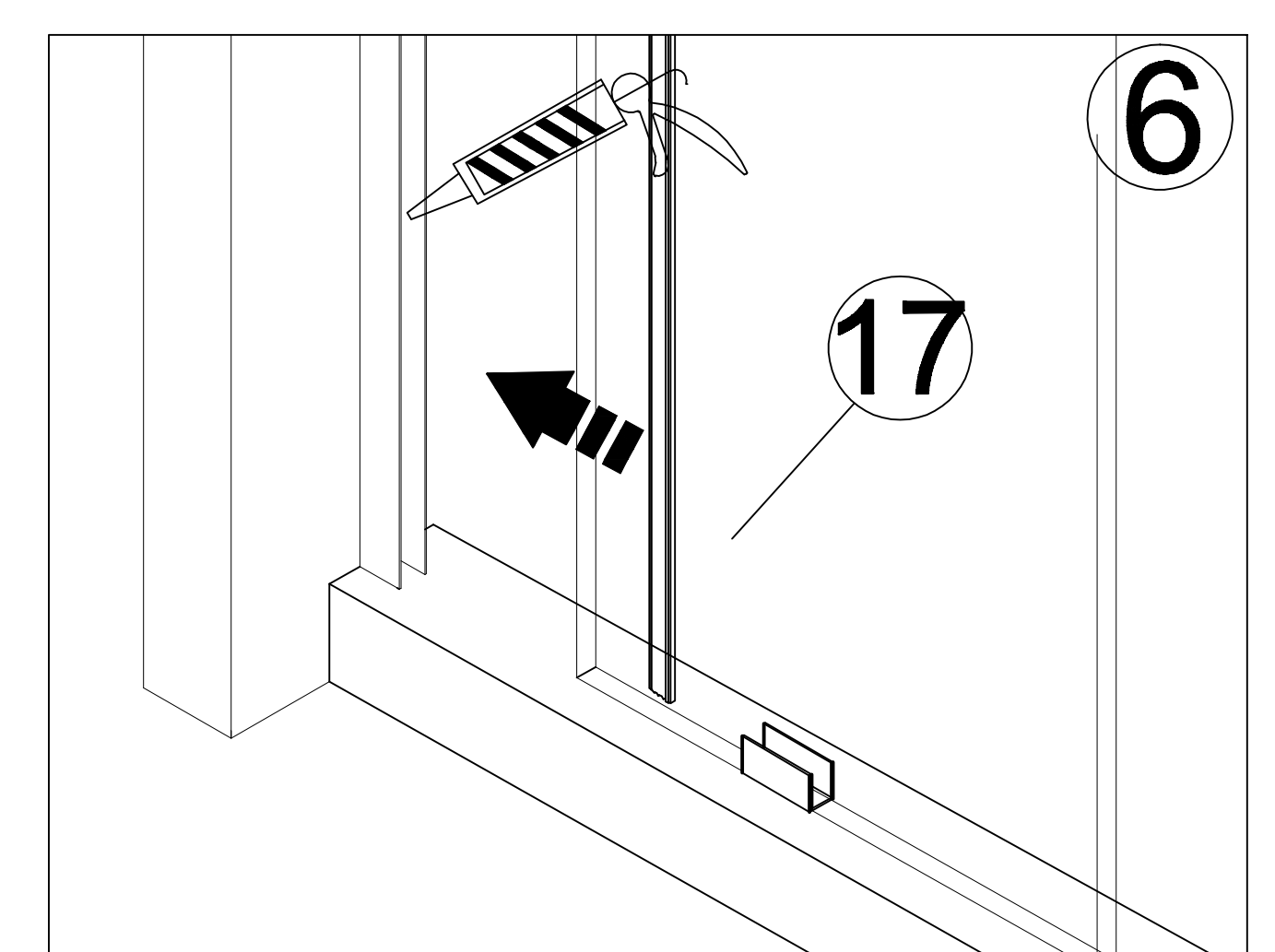
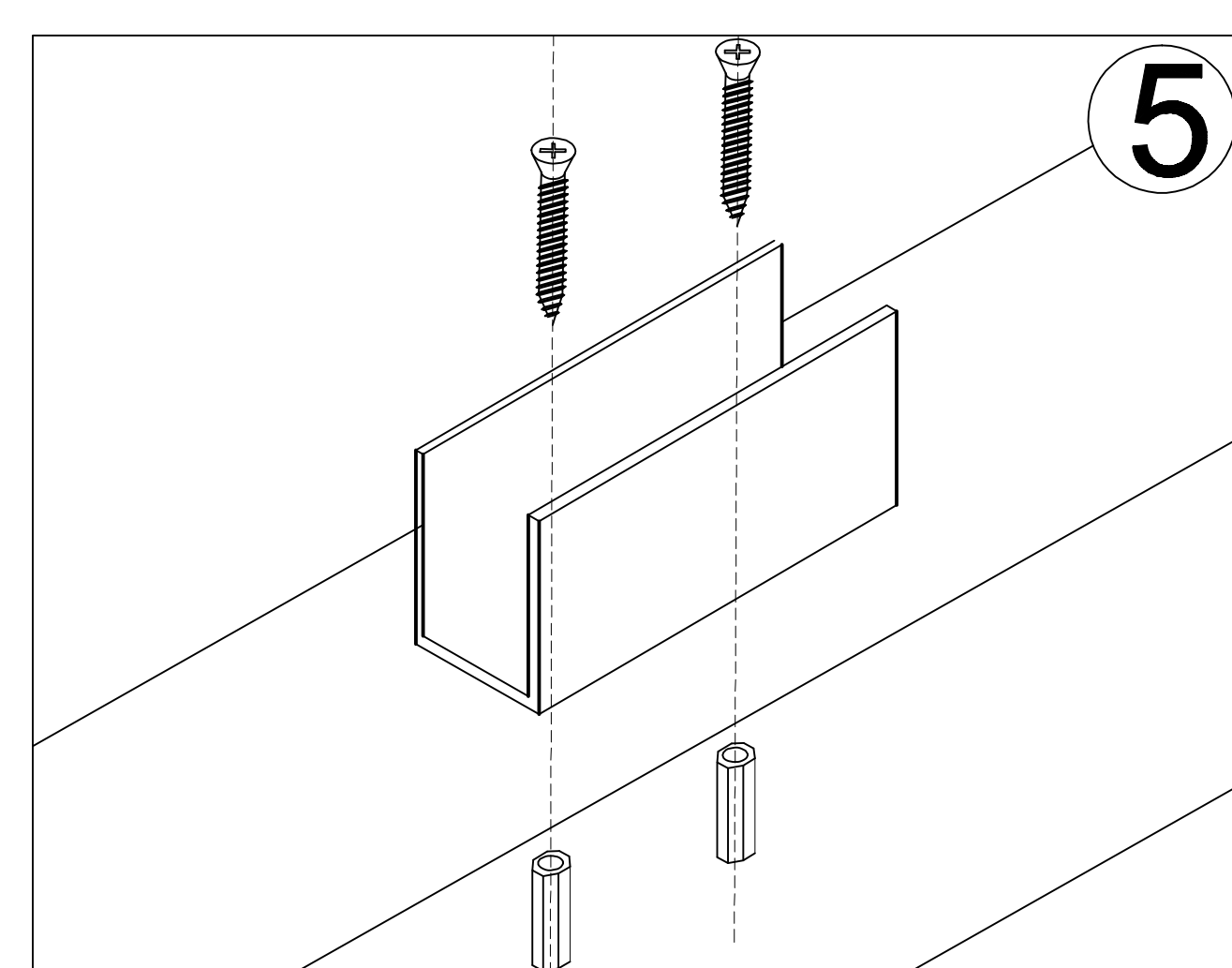
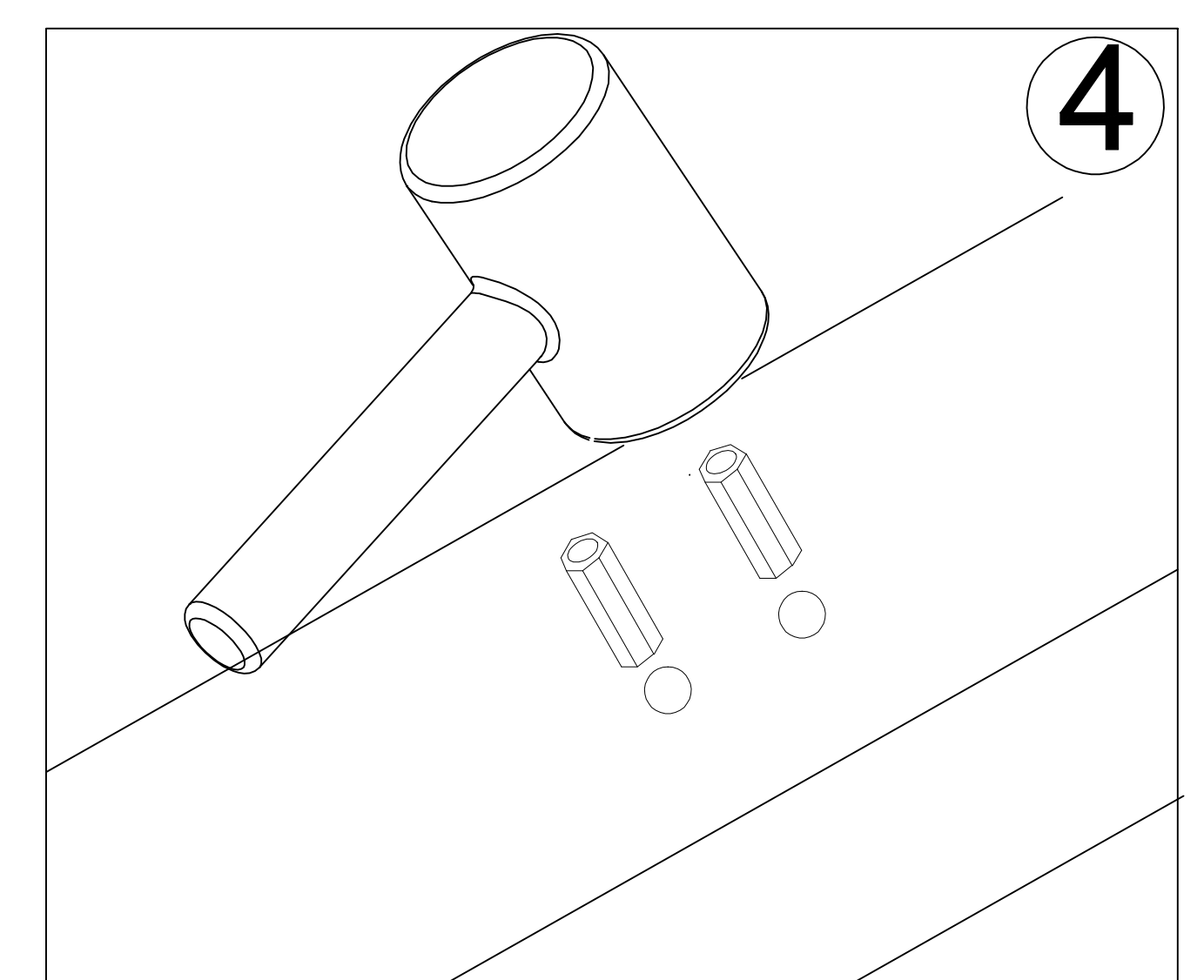
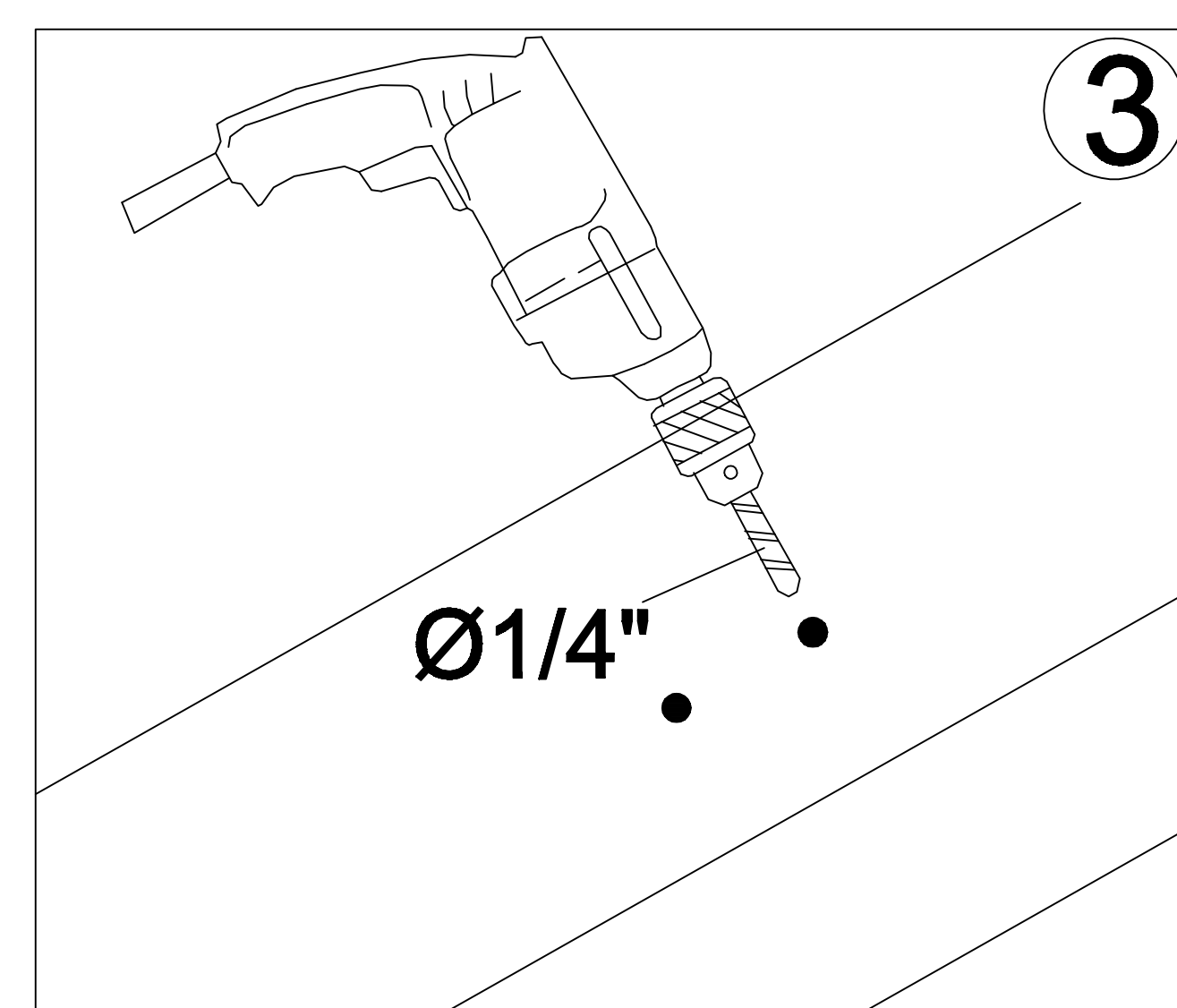
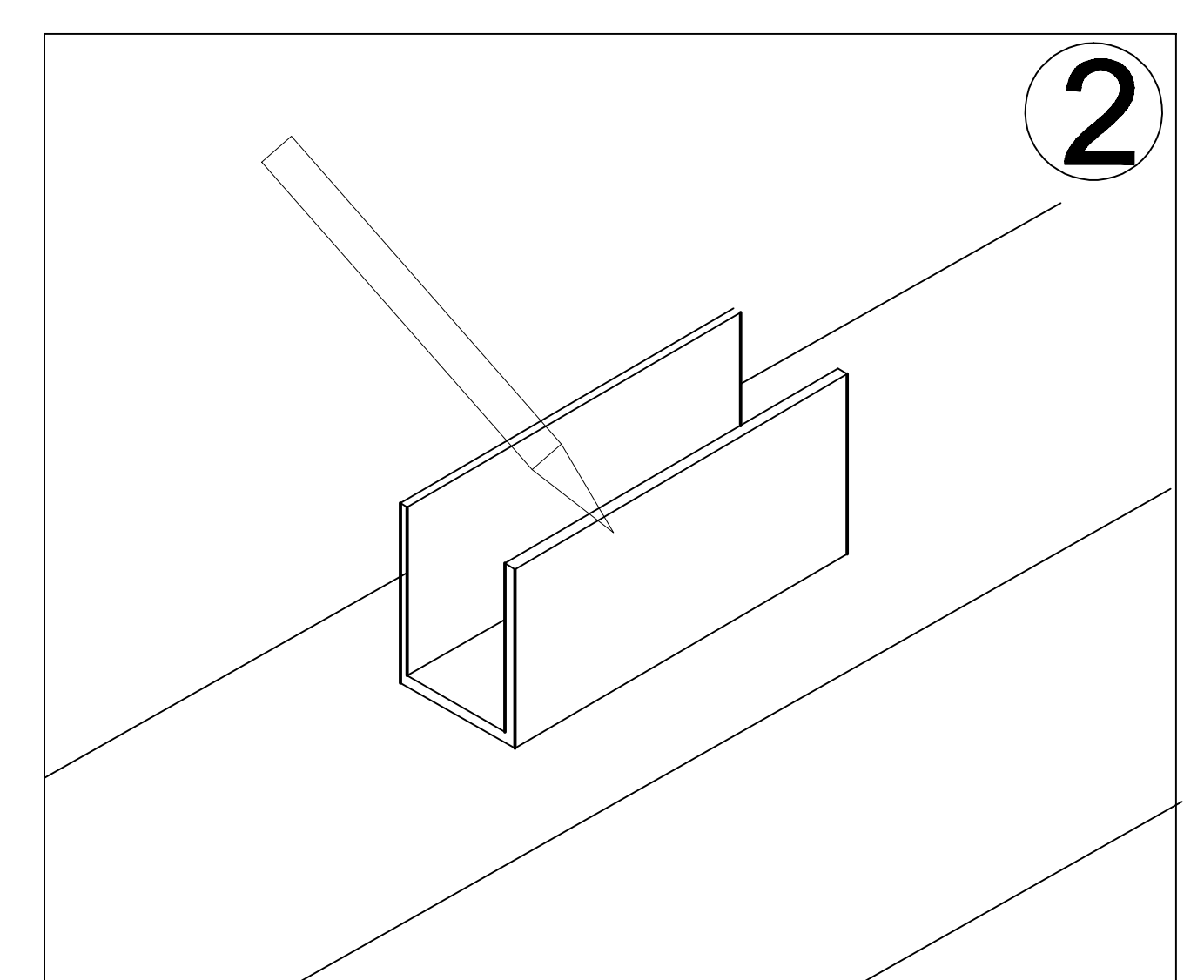
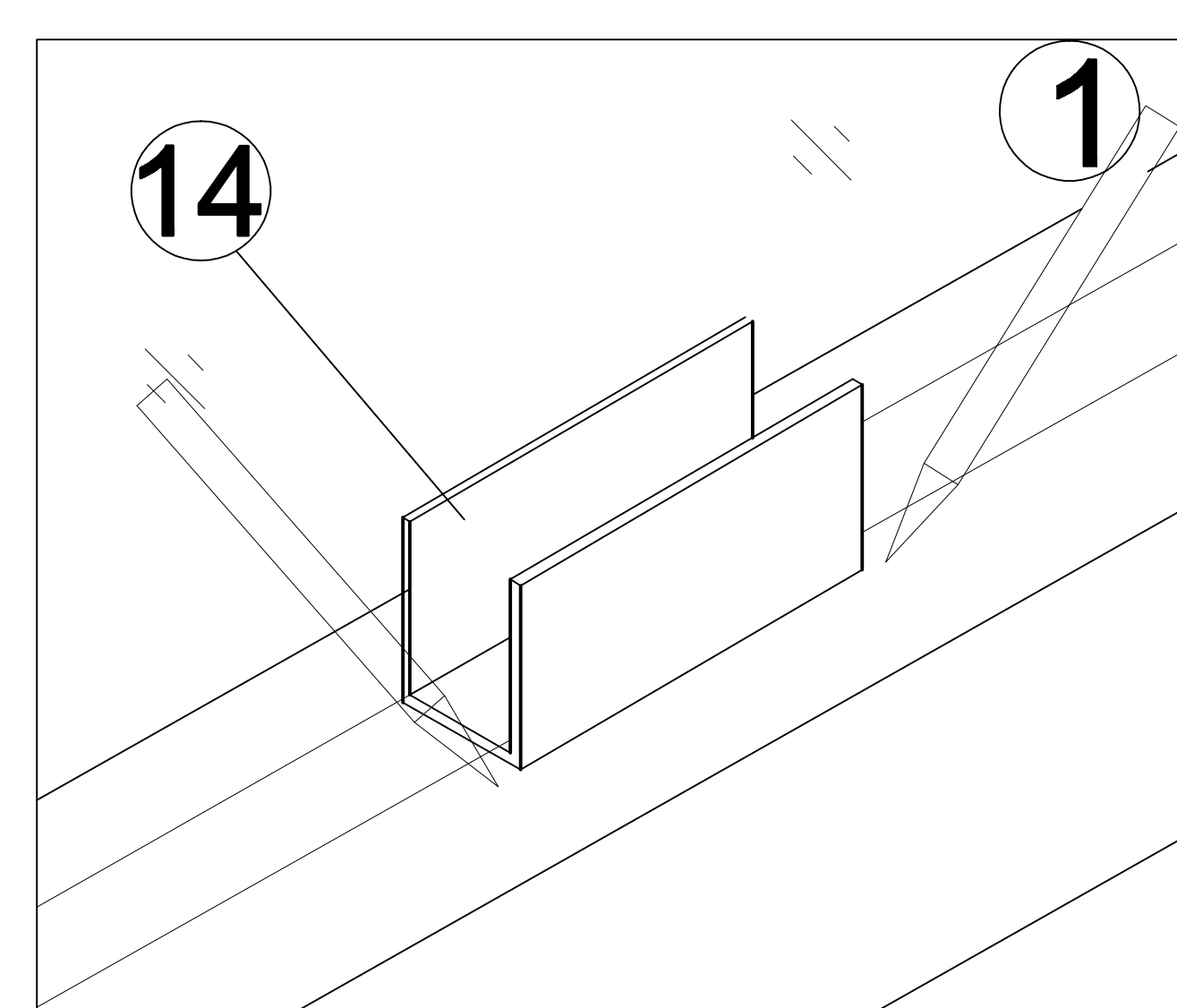
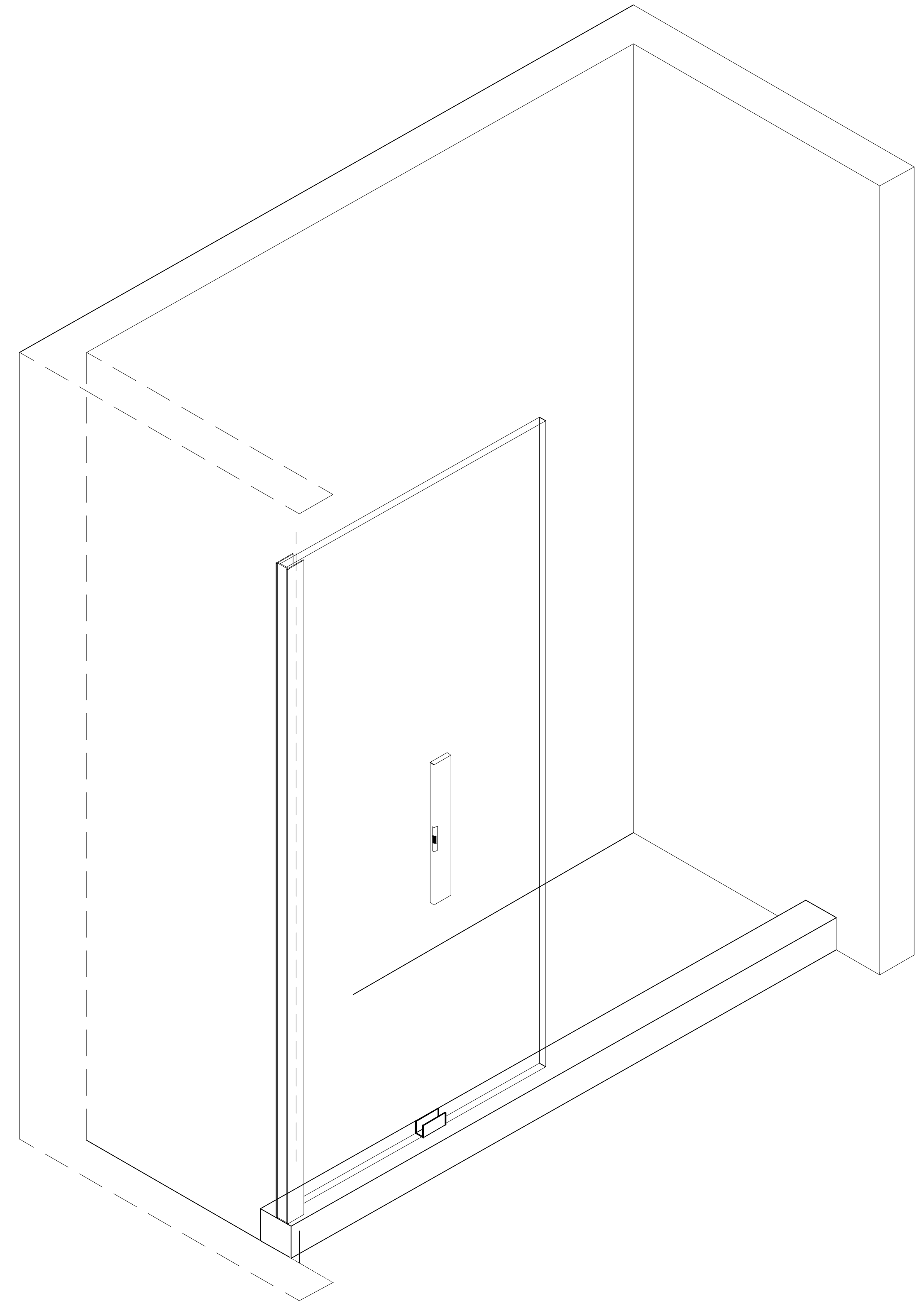
1. Lay shower door clamp(14) on the tile, place the fixed panel(18) base part into shower door clamp(14), move fixed panel(15) into wall-mounted stabilizer strip(15), level it vertical with level and mark the clamp(14) position with pencil.
2. Take off fixed panel(15), then place shower door clamp(14) on the marking and mark the hole position with pencil.
3. Take off clamp(14) and drill holes on the markings.
4. Hammer the plug 6*28(8) into the hole.
5. Secure the shower door clamp(14) with 4*20 screw(10).
6. Fill a small amount of silicone in inner wall-mounted stabilizer strip for fixed panel(15), then place the fixed panel(18) base part into shower door clamp(14) and fit fixed panel(15) and the two one-sided plastic strips(17) into wall-mounted stabilizer strip. Then push the fixed panel into the wall-mounted stabilizer strip for fixed panel, and finally snap the one-sided plastic strip into the gap between the fixed panel and the all-mounted stabilizer strip for fixed panel.



Right Hand Assembly

STEP 2

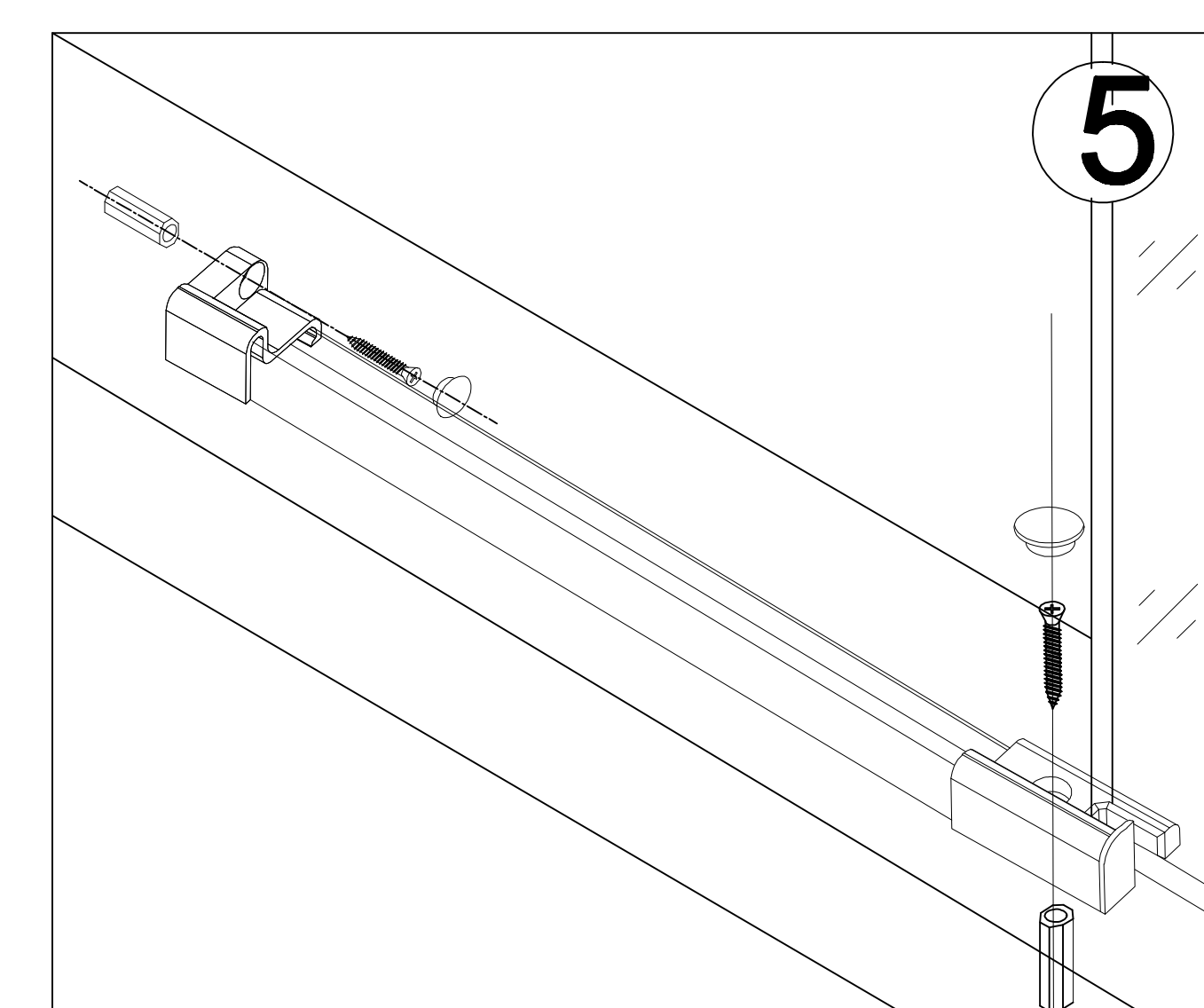
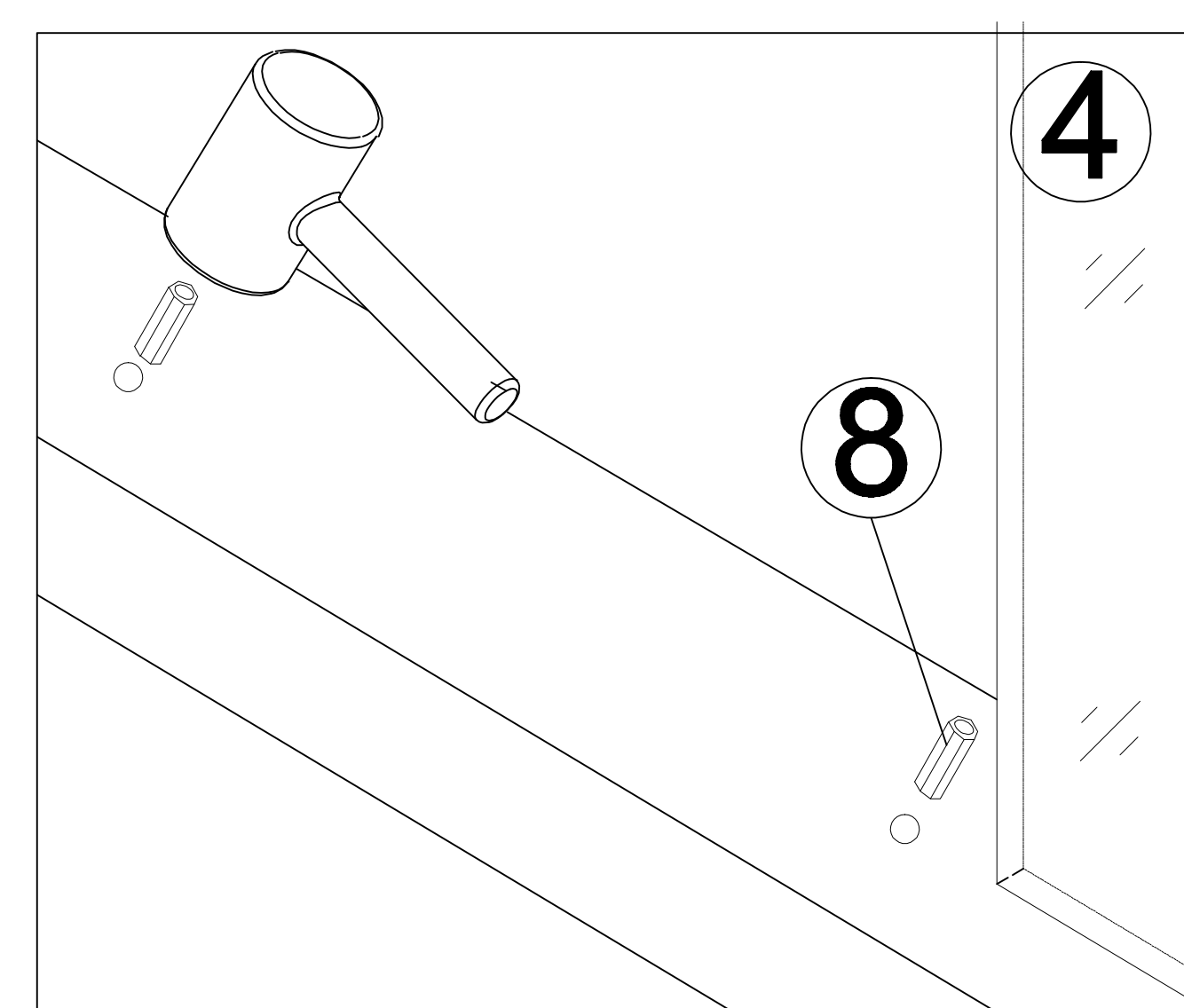
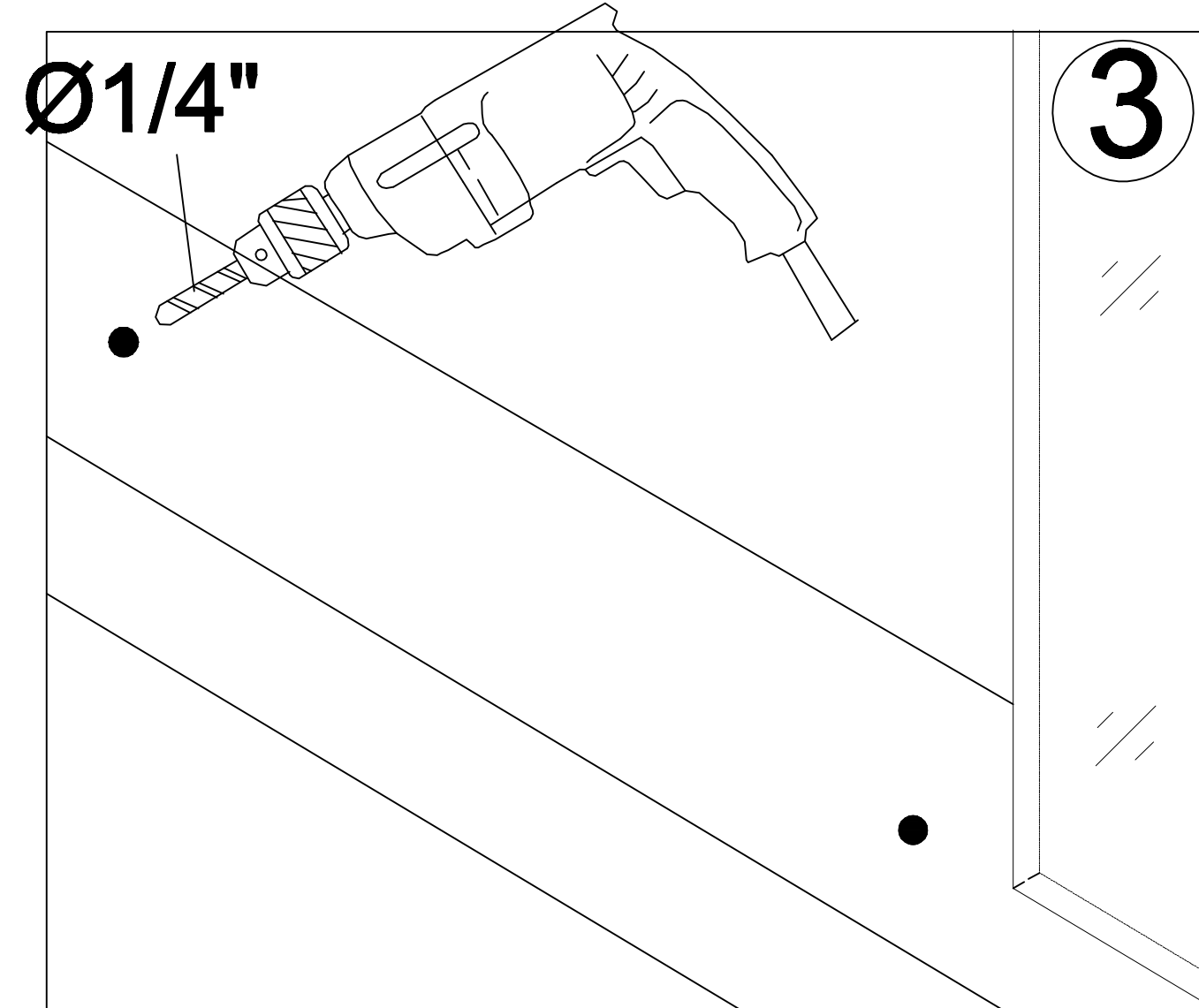
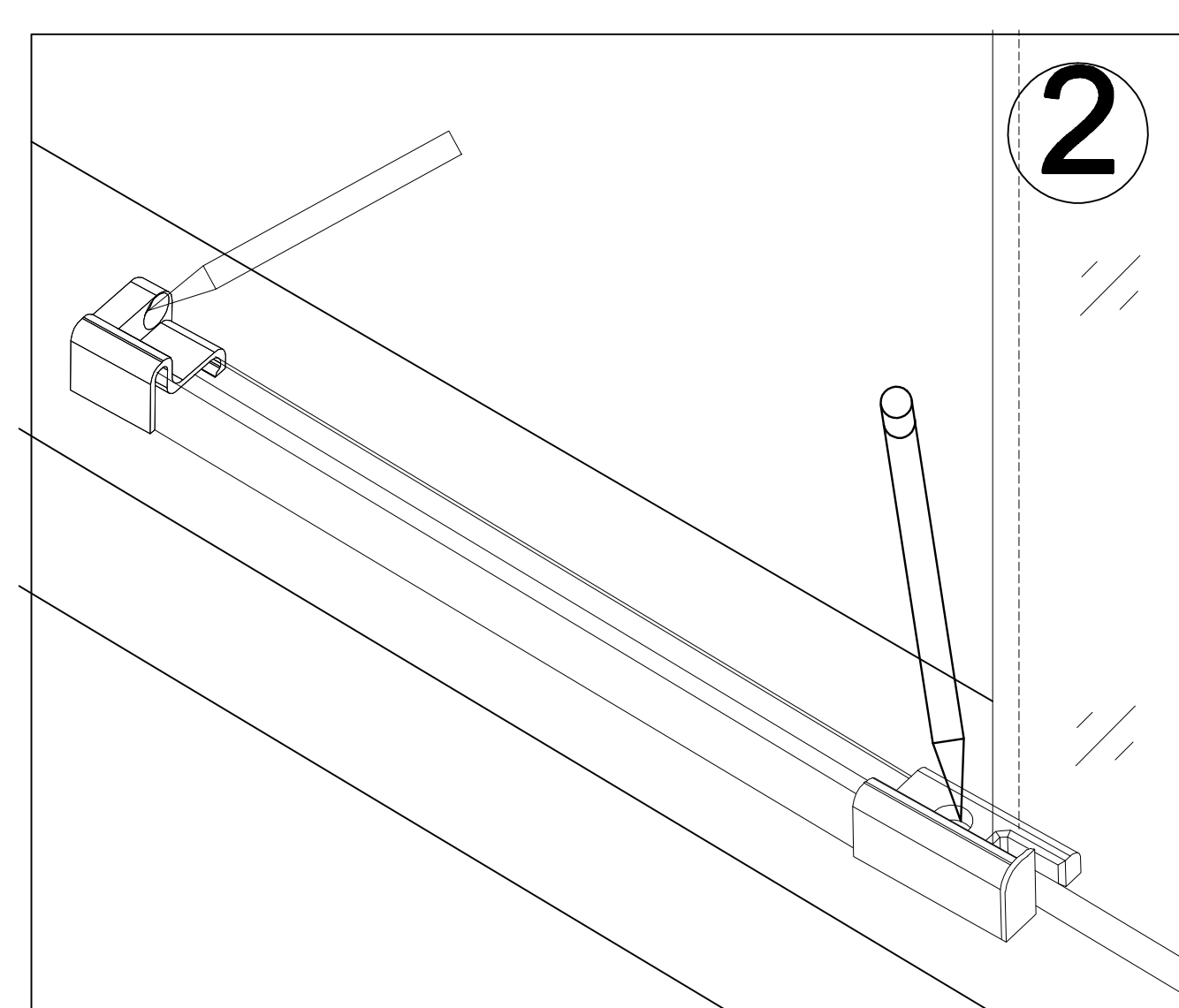
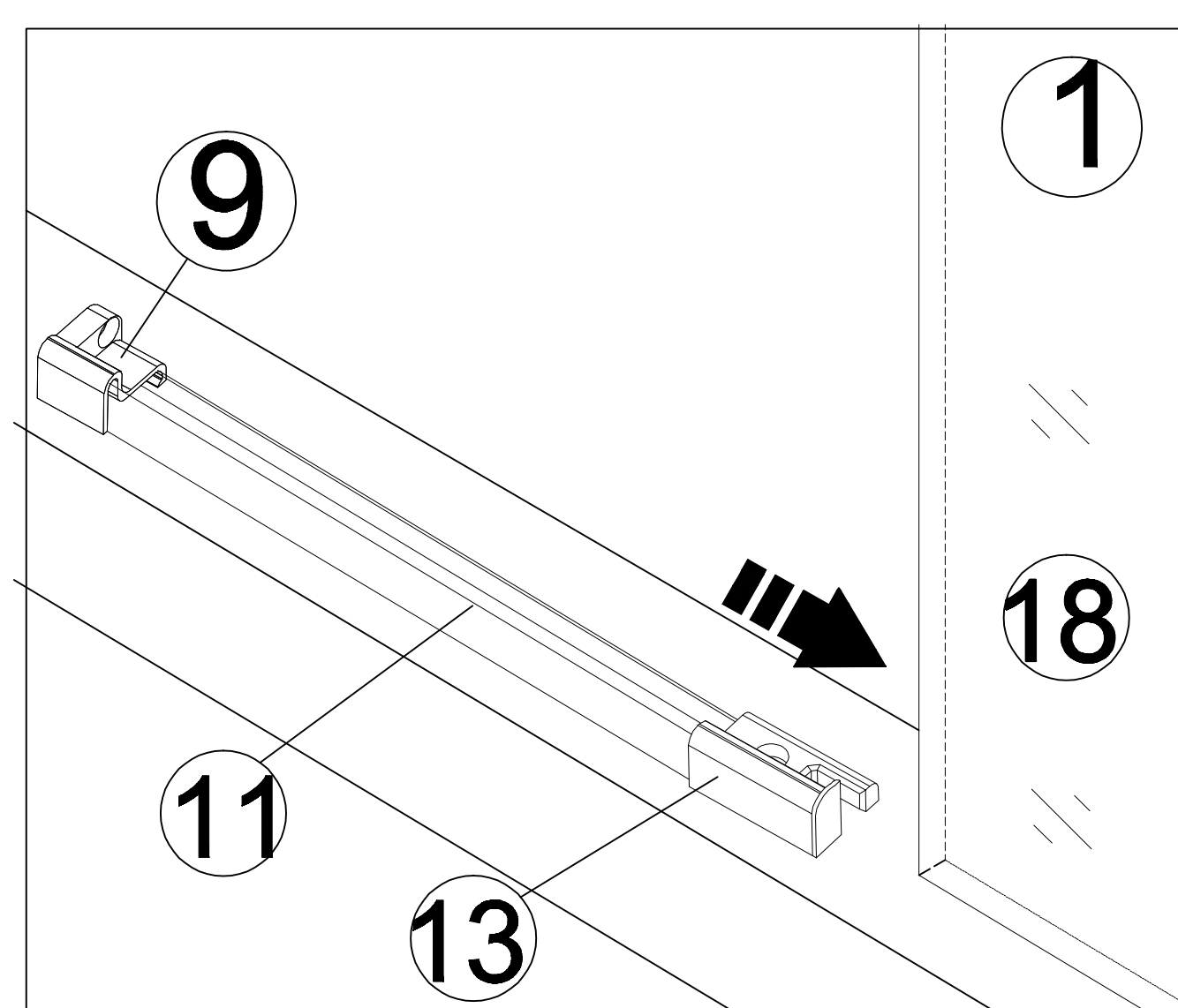
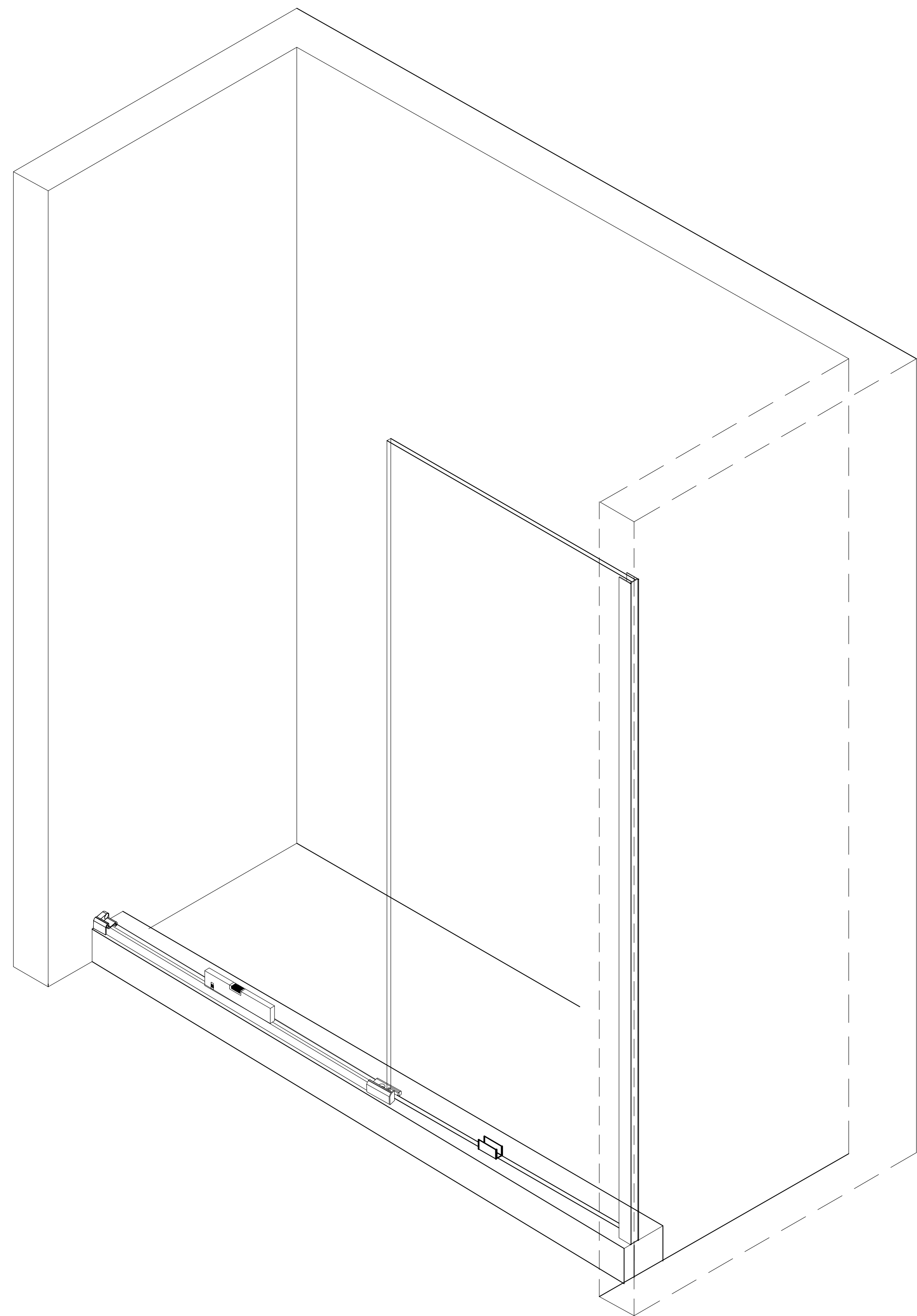
1. Lay shower door clamp(14) on the tile, place the fixed panel(18) base part into shower door clamp(14), move fixed panel(15) into wall-mounted stabilizer strip(15), level it vertical with level and mark the clamp(14) position with pencil.
2. Take off fixed panel(15), then place shower door clamp(14) on the marking and mark the hole position with pencil.
3. Take off clamp(14) and drill holes on the markings.
4. Hammer the plug 6*28(8) into the hole.
5. Secure the shower door clamp(14) with 4*20 screw(10).
6. Fill a small amount of silicone in inner wall-mounted stabilizer strip for fixed panel(15), then place the fixed panel(18) base part into shower door clamp(14) and fit fixed panel(15) and the two one-sided plastic strips(17) into wall-mounted stabilizer strip. Then push the fixed panel into the wall-mounted stabilizer strip for fixed panel, and finally snap the one-sided plastic strip into the gap between the fixed panel and the all-mounted stabilizer strip for fixed panel.



Left Hand Assembly

STEP 3

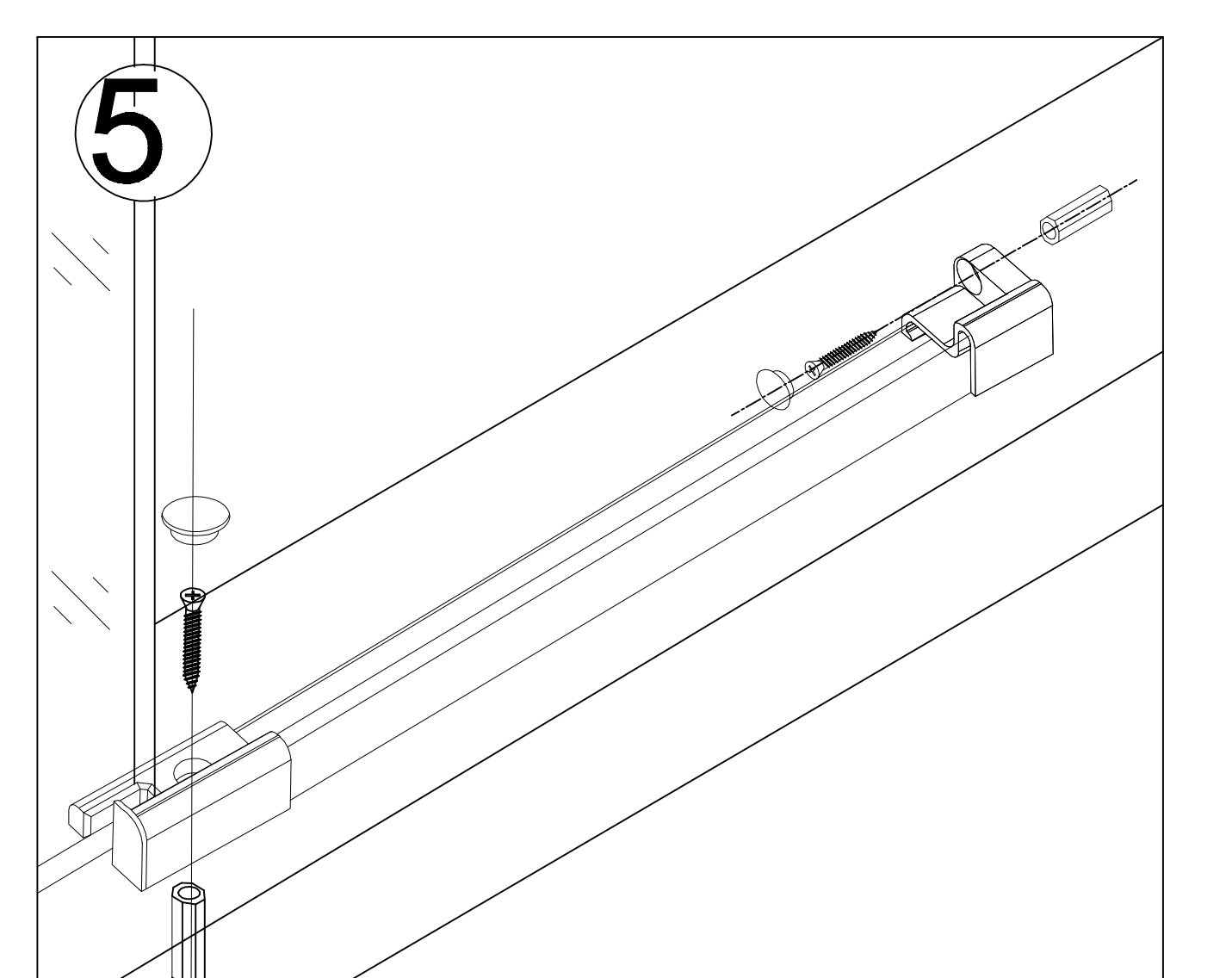
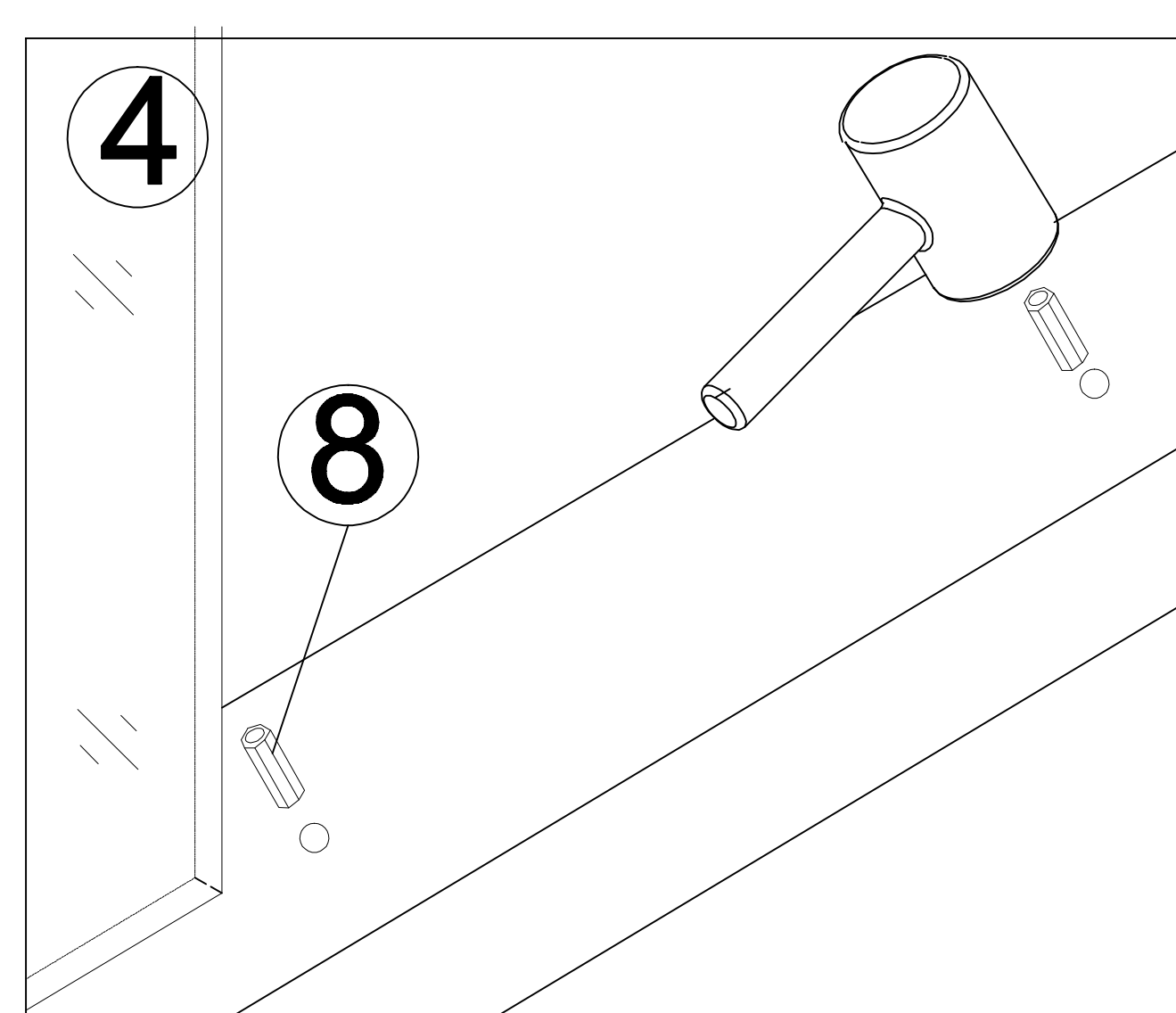
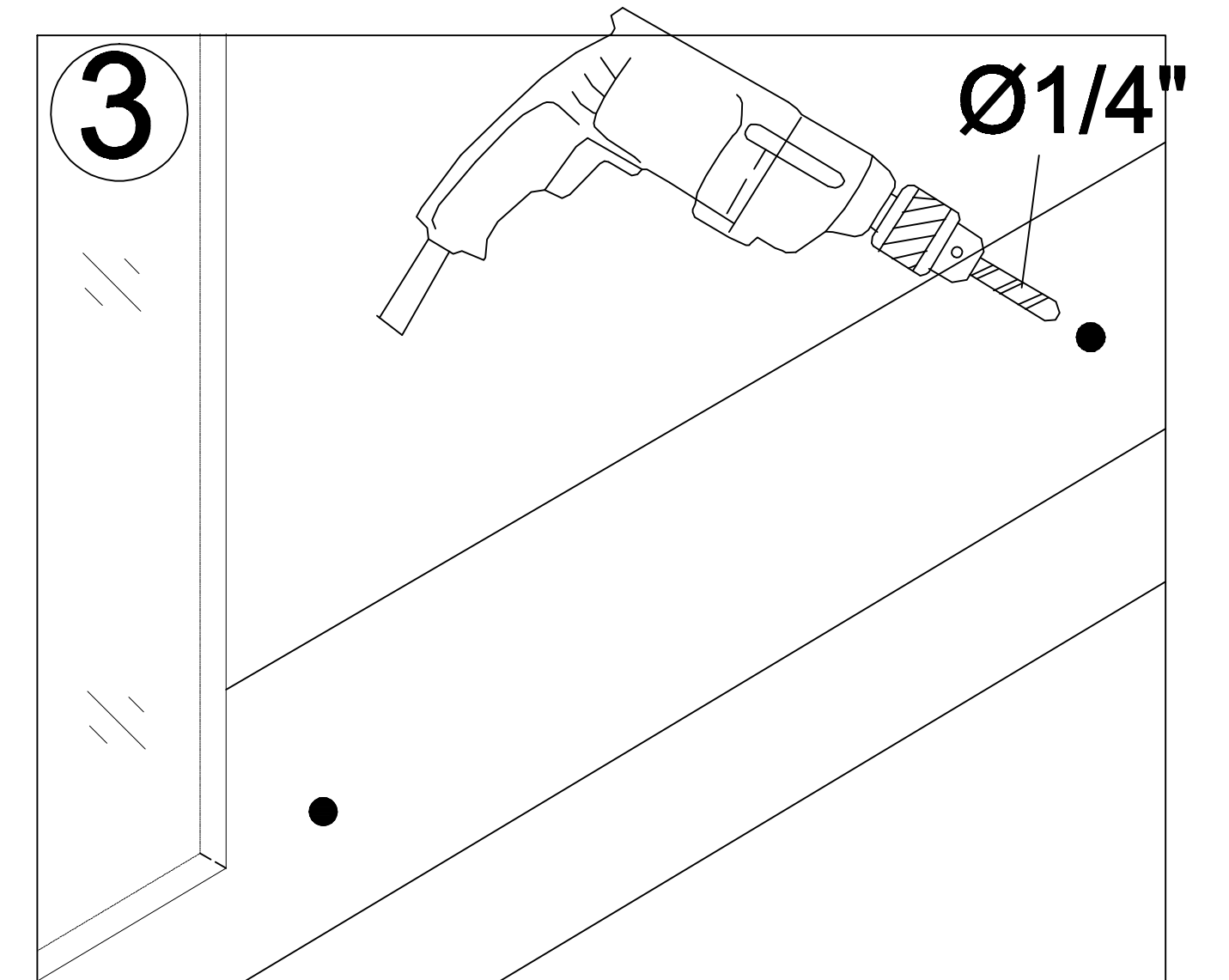
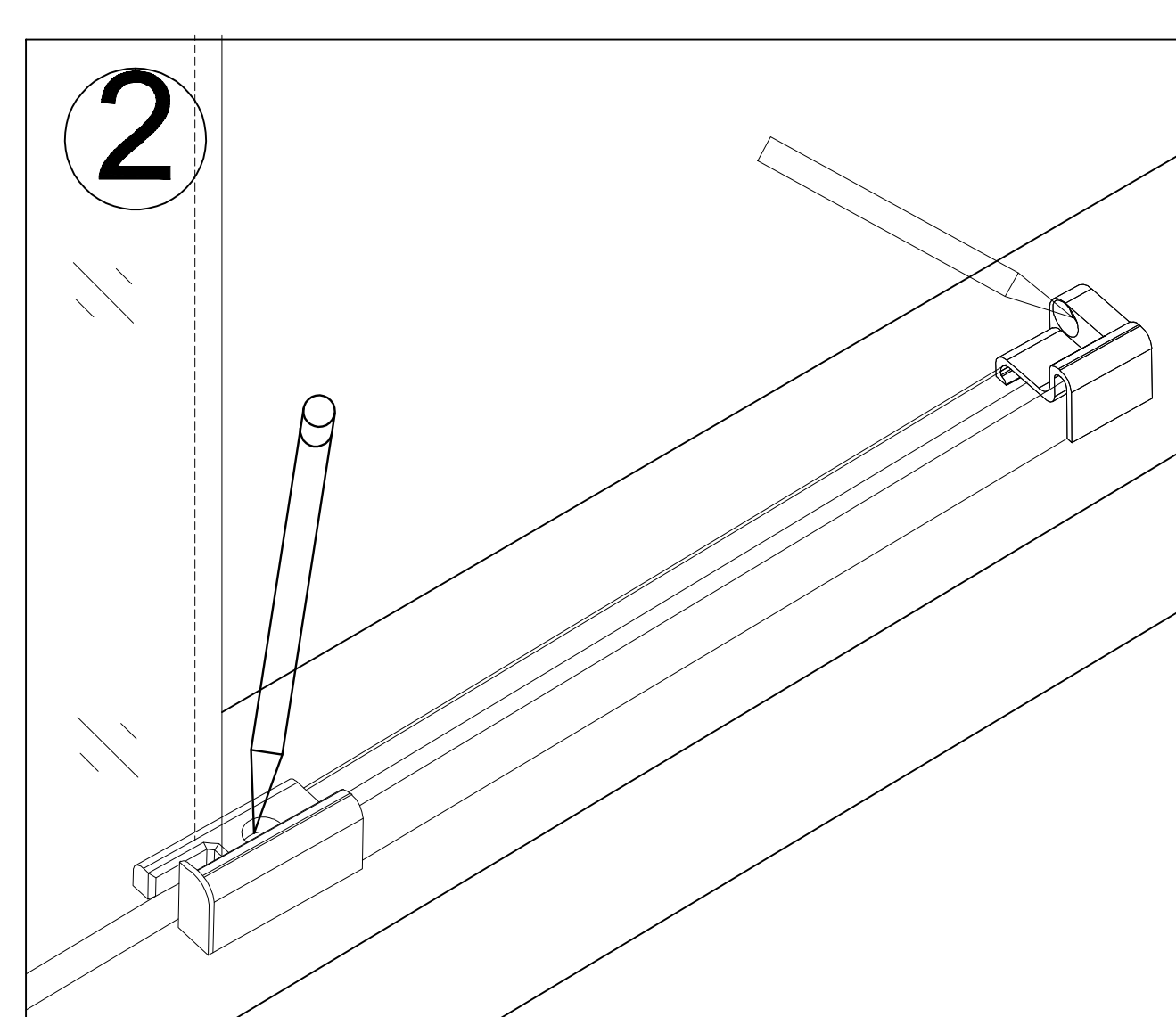
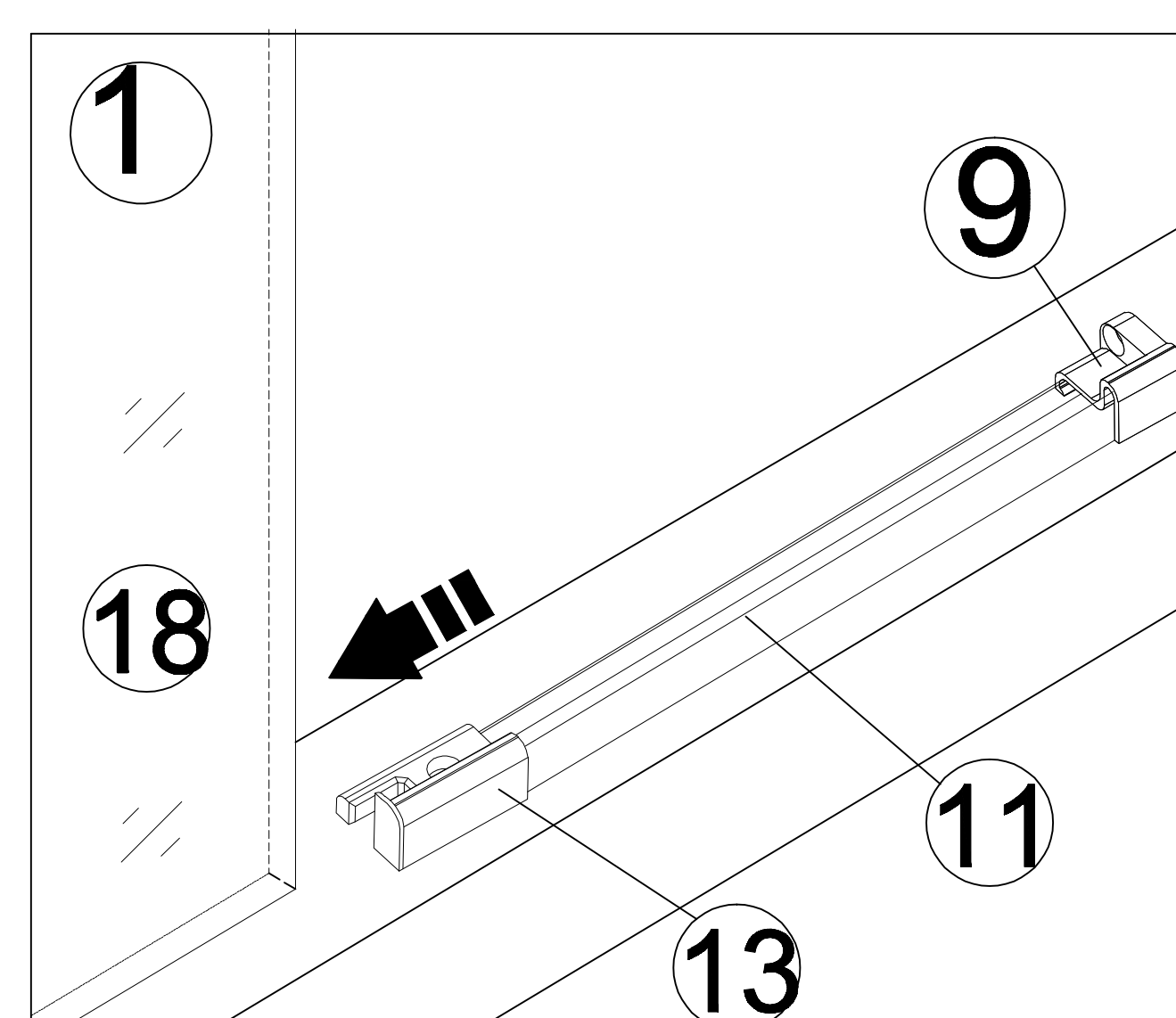
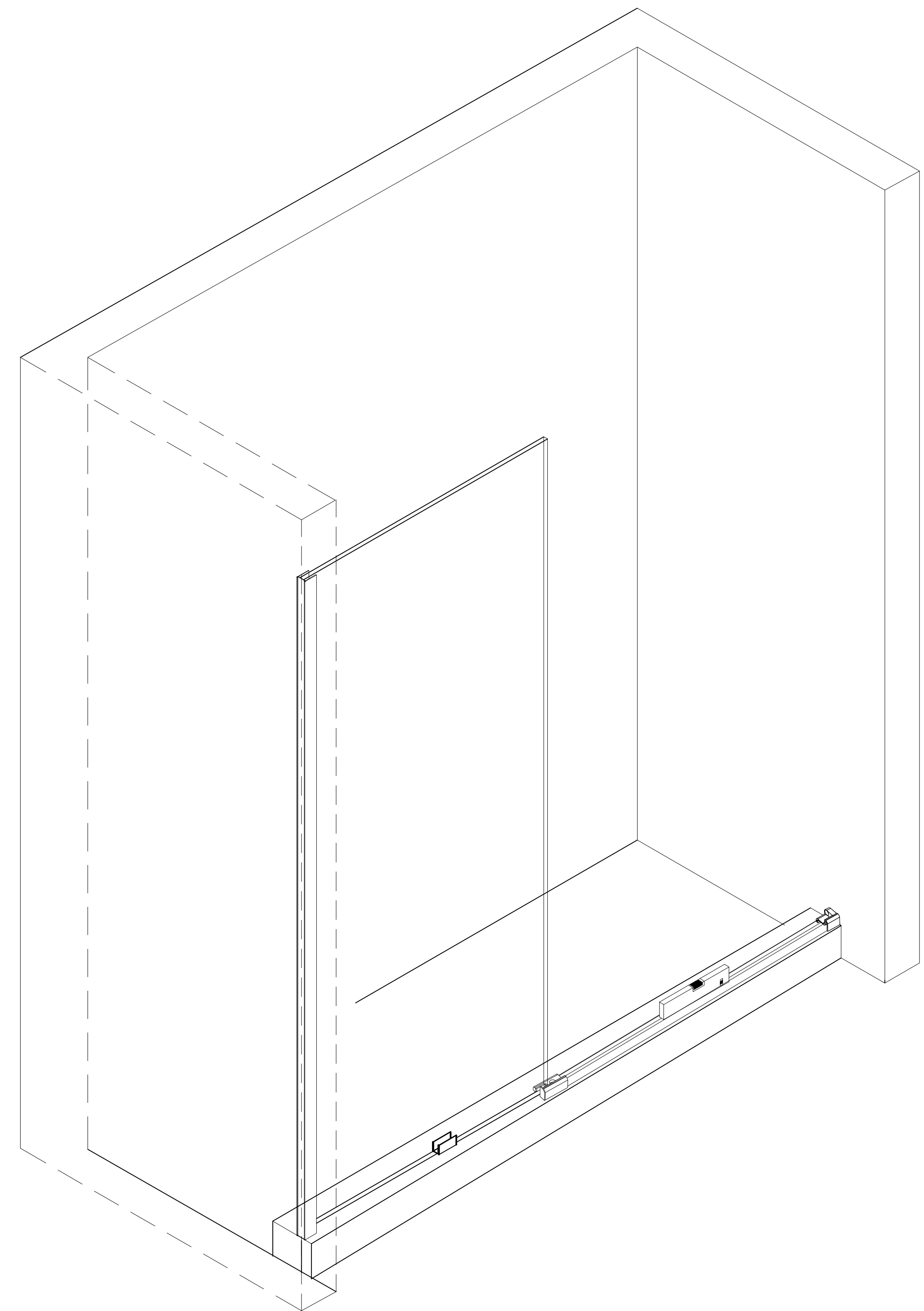
1. Assemble the left-side wall-mounted strip connector(9) and the right-side strip connector(13) to Aluminum strip(11), fit the connector(13)'s slot into fixed panel(18), adjust it with level.
2. Mark the hole position of the connectors with pencil.
3. Take away the Aluminum strip(11) and drill holes on the markings.
4. Hammer the plug 6*28(8) into the hole.
5. Fit the Aluminum strip(11) into fixed panel(18), secure its end connectors with screw 4*20(10), and put the screw cap on.



Right Hand Assembly

STEP 3

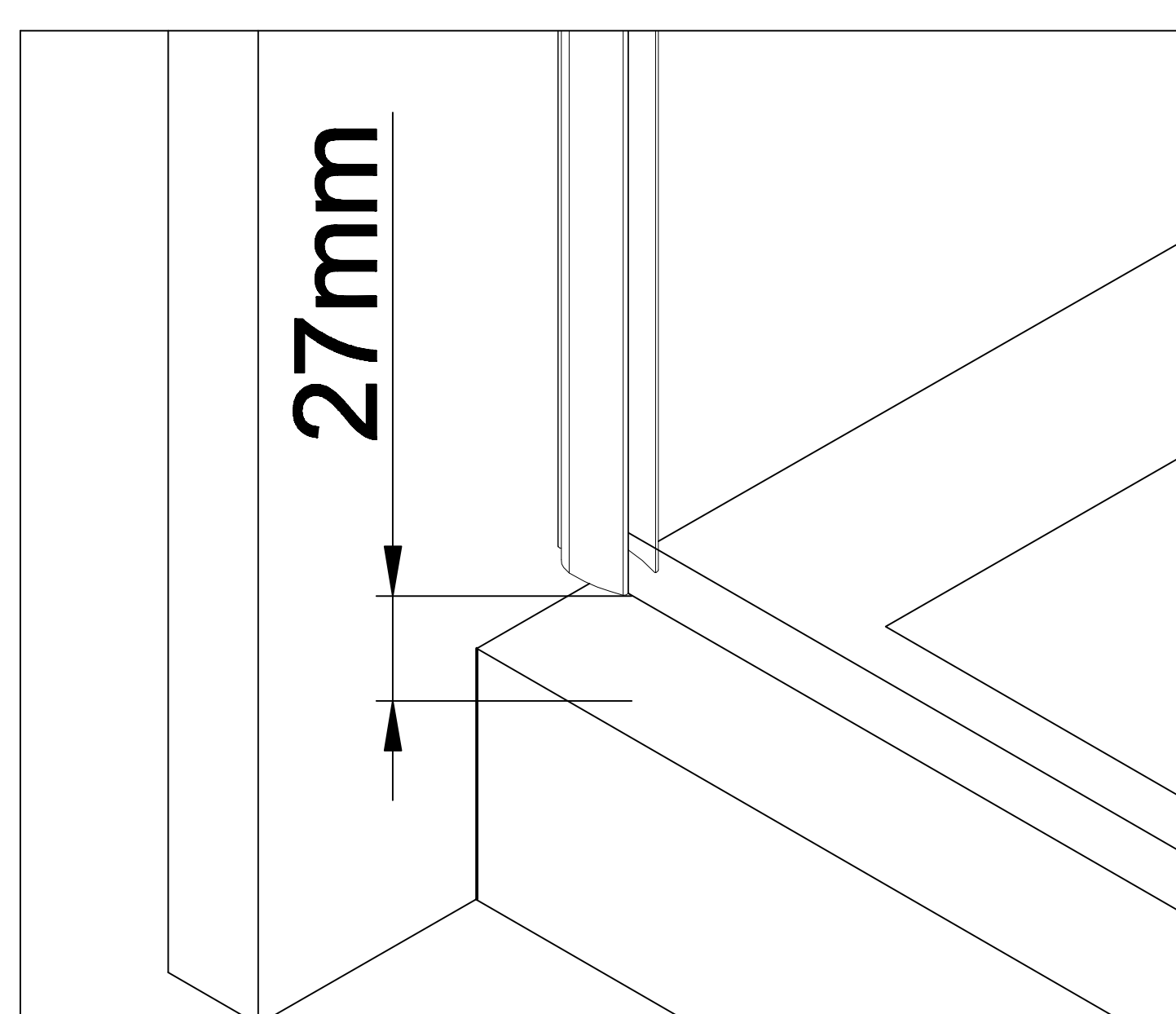
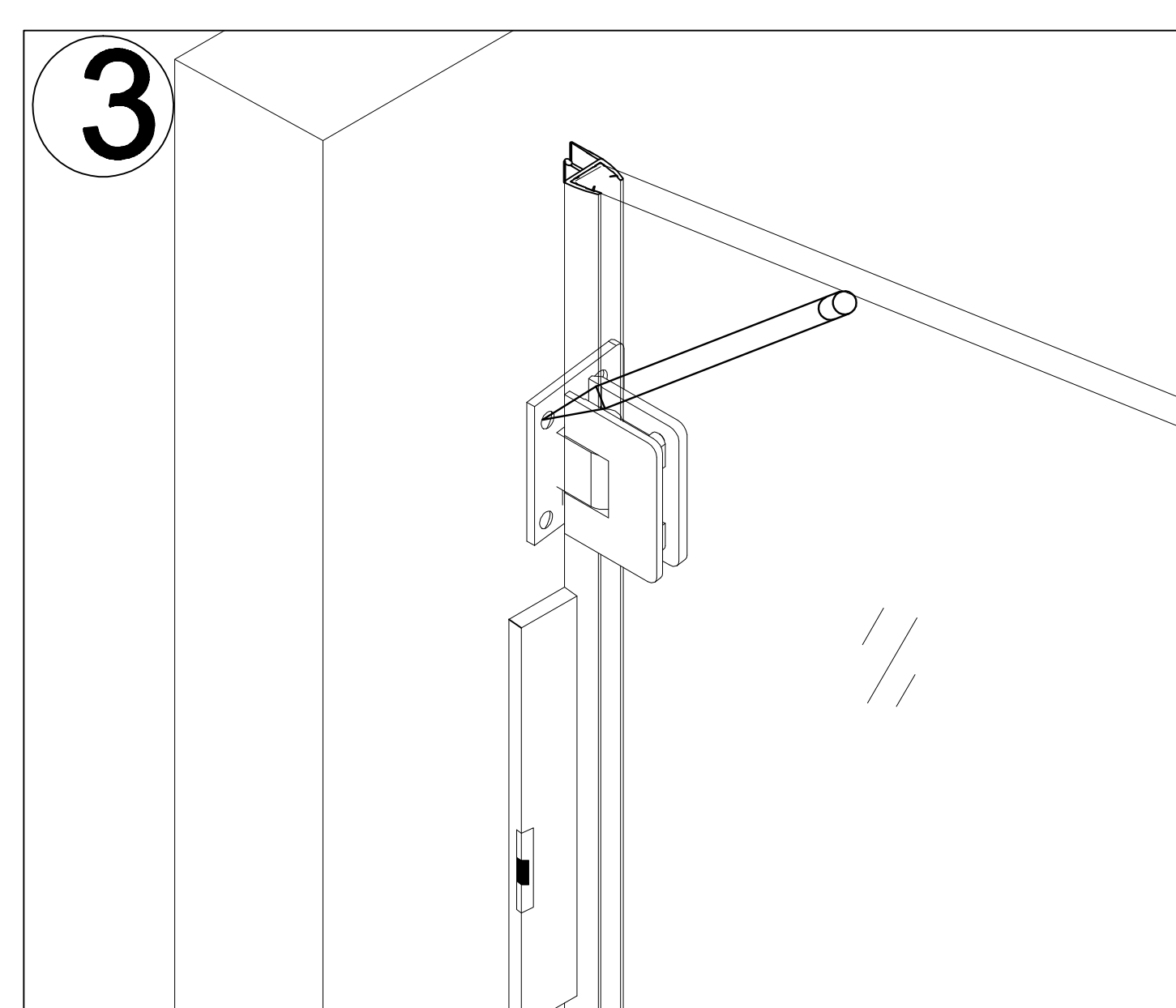
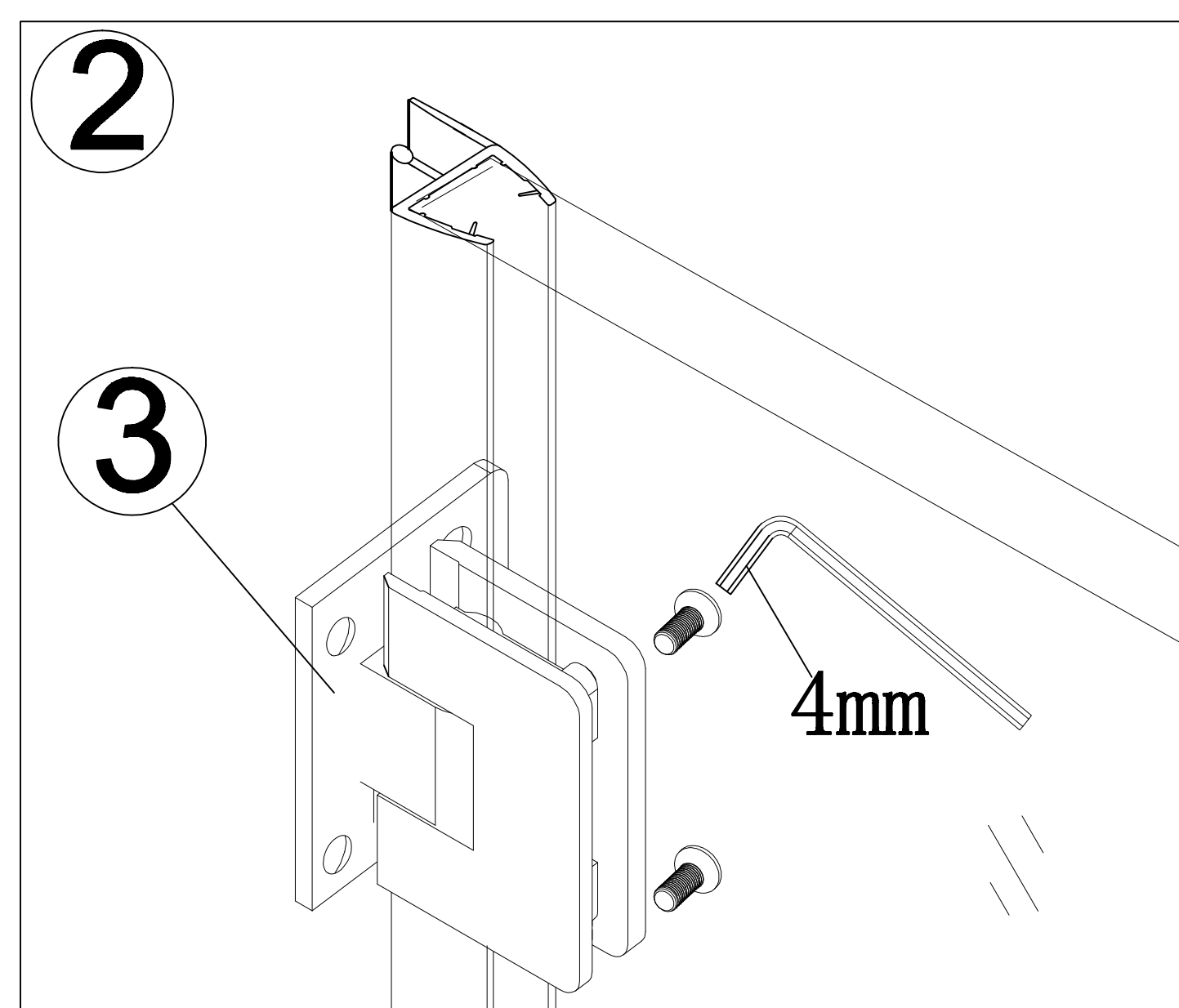
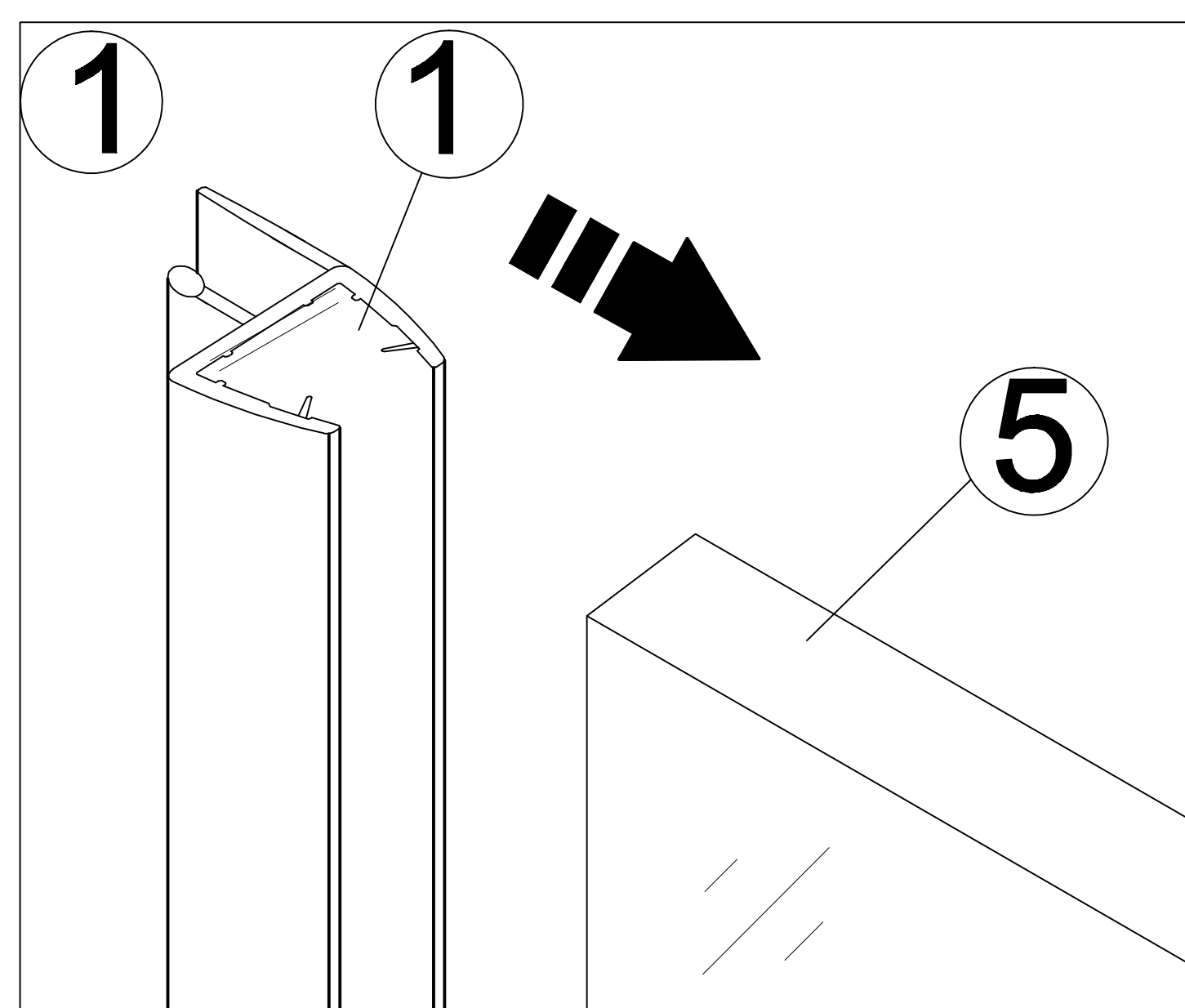
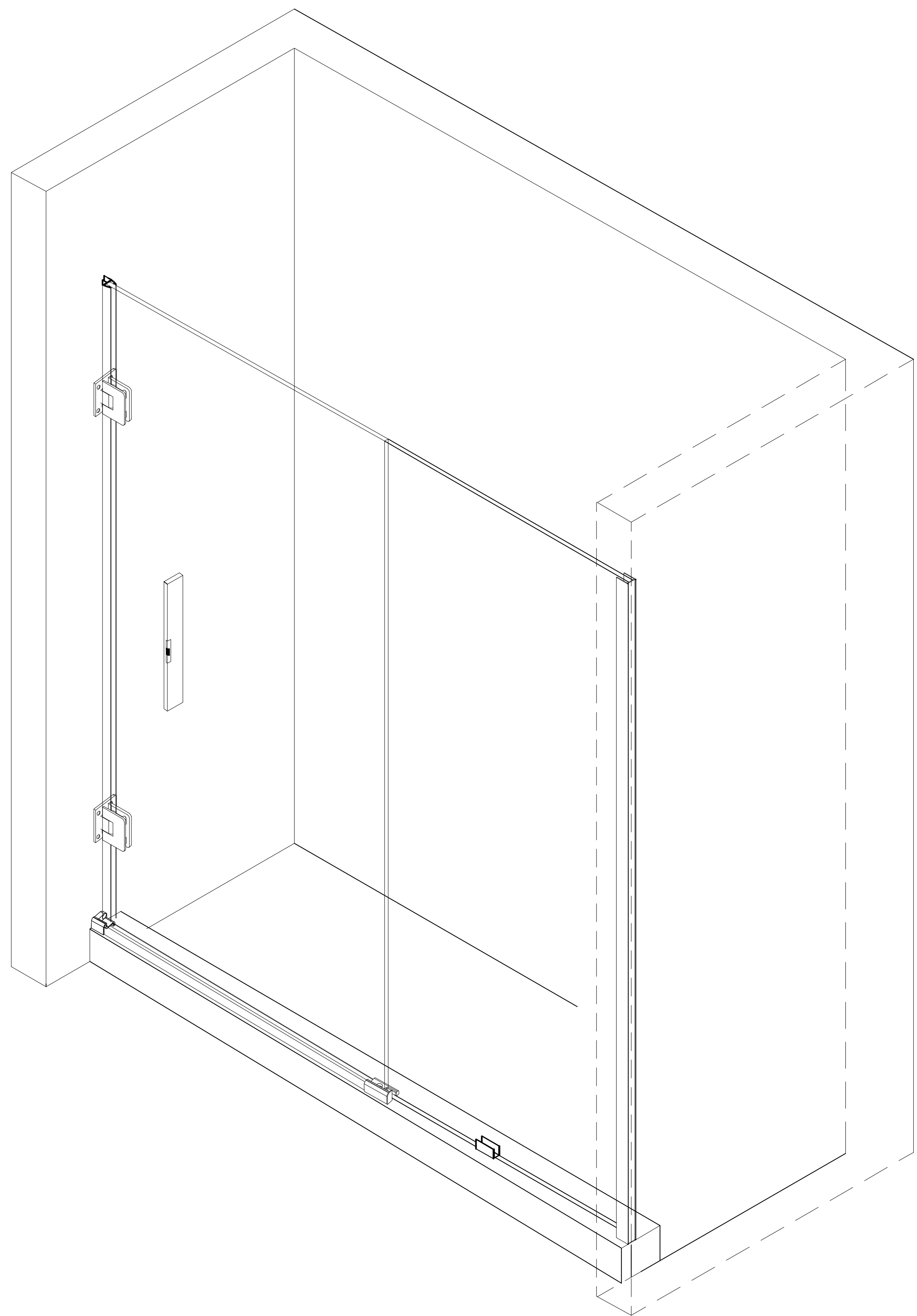
1. Assemble the right-side wall-mounted strip connector(9) and the left-side strip connector(13) to Aluminum strip(11), fit the connector(13)'s slot into fixed panel(18), adjust it with level.
2. Mark the hole position of the connectors with pencil.
3. Take away the Aluminum strip(11) and drill holes on the markings.
4. Hammer the plug 6*28(8) into the hole.
5. Fit the Aluminum strip(11) into fixed panel(18), secure its end connectors with screw 4*20(10), and put the screw cap on.



Left Hand Assembly

STEP 4

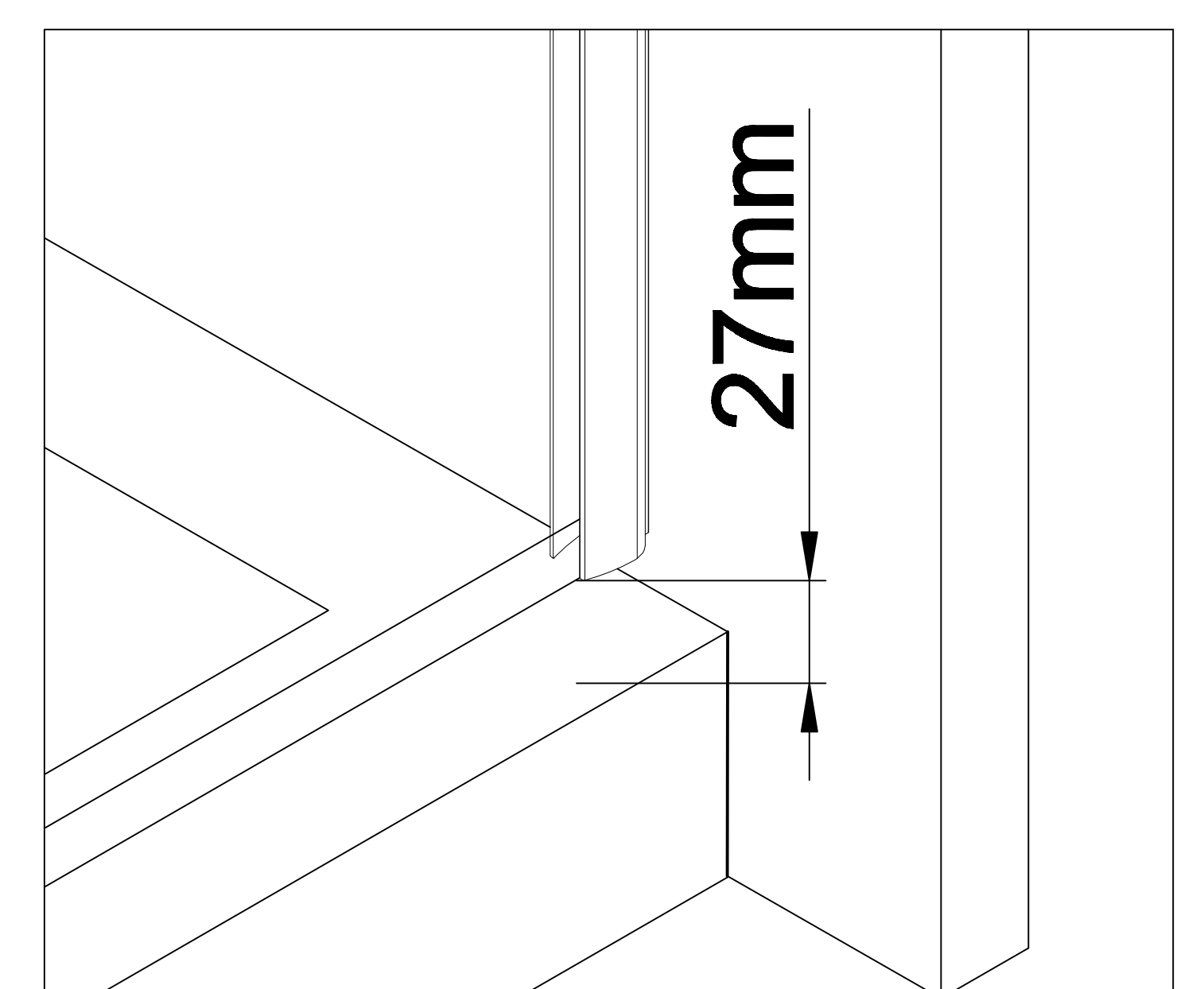
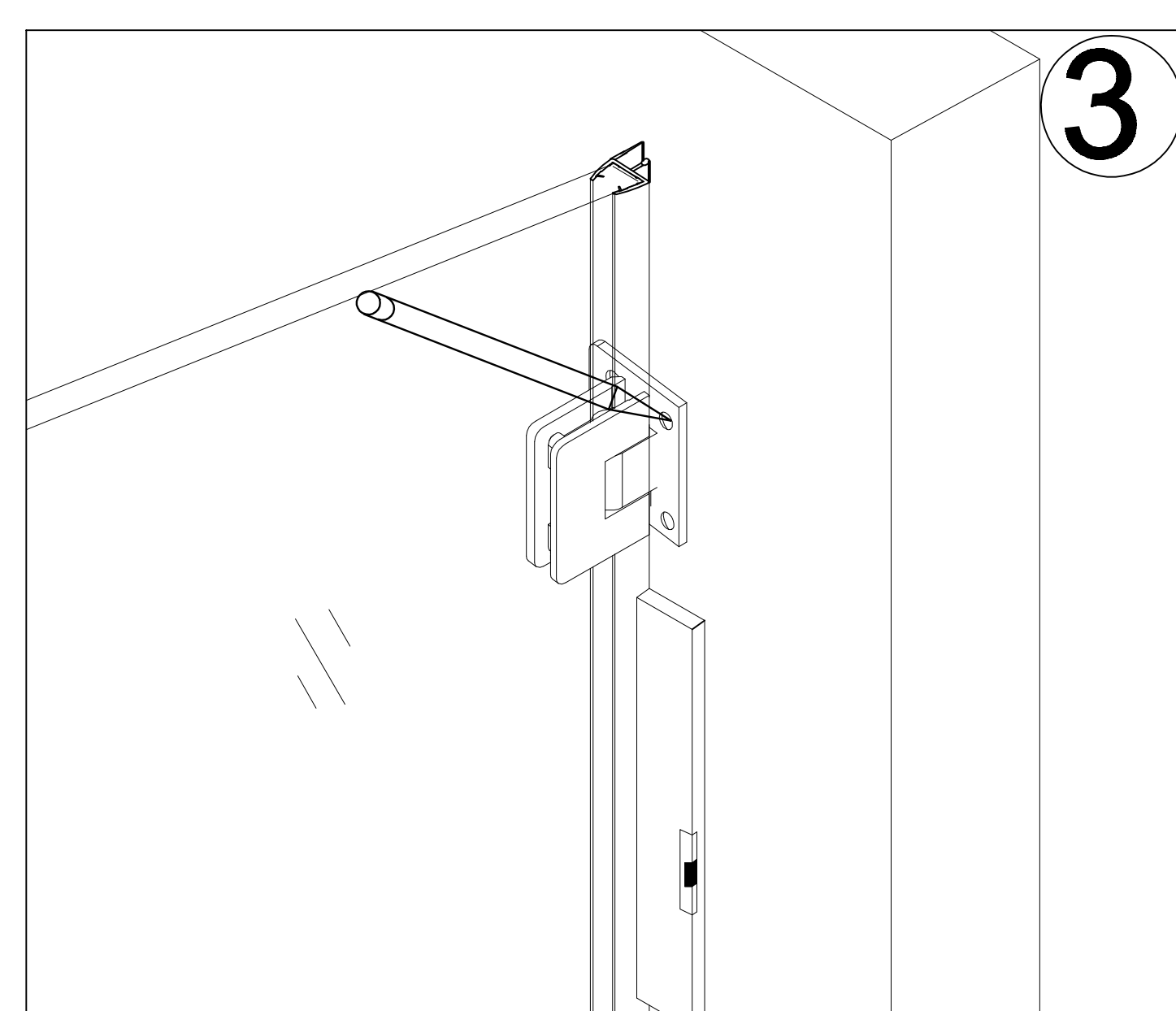
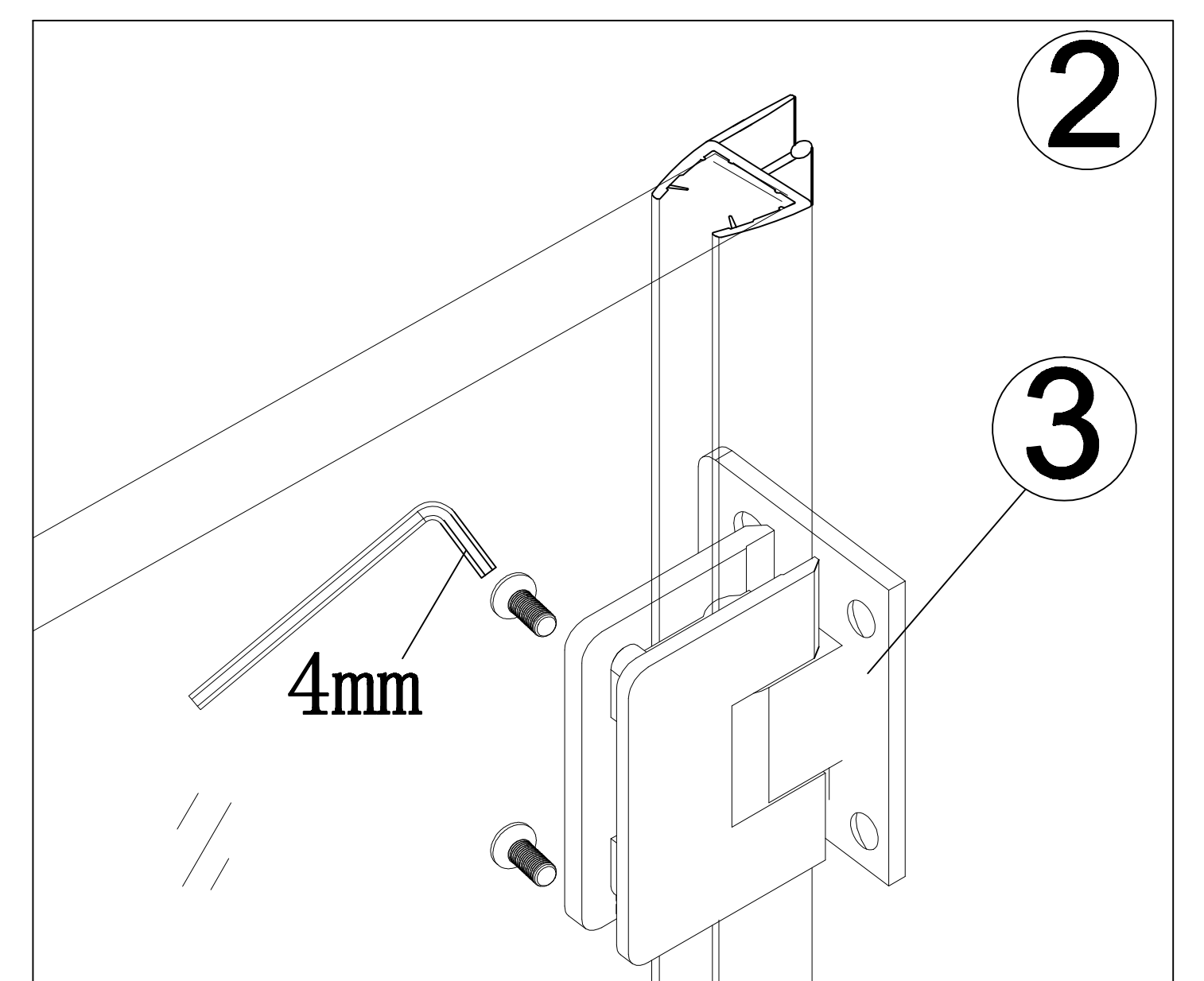
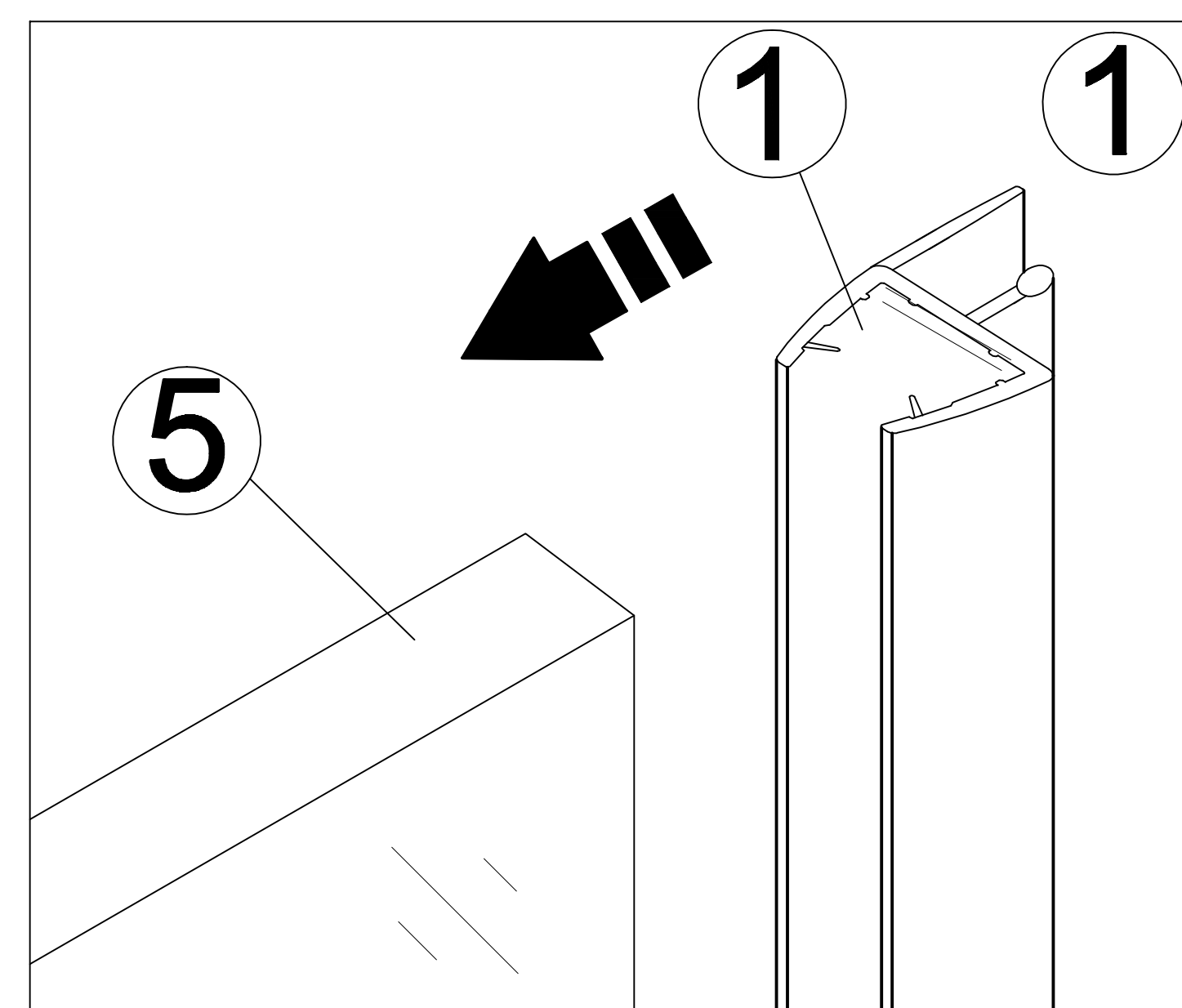
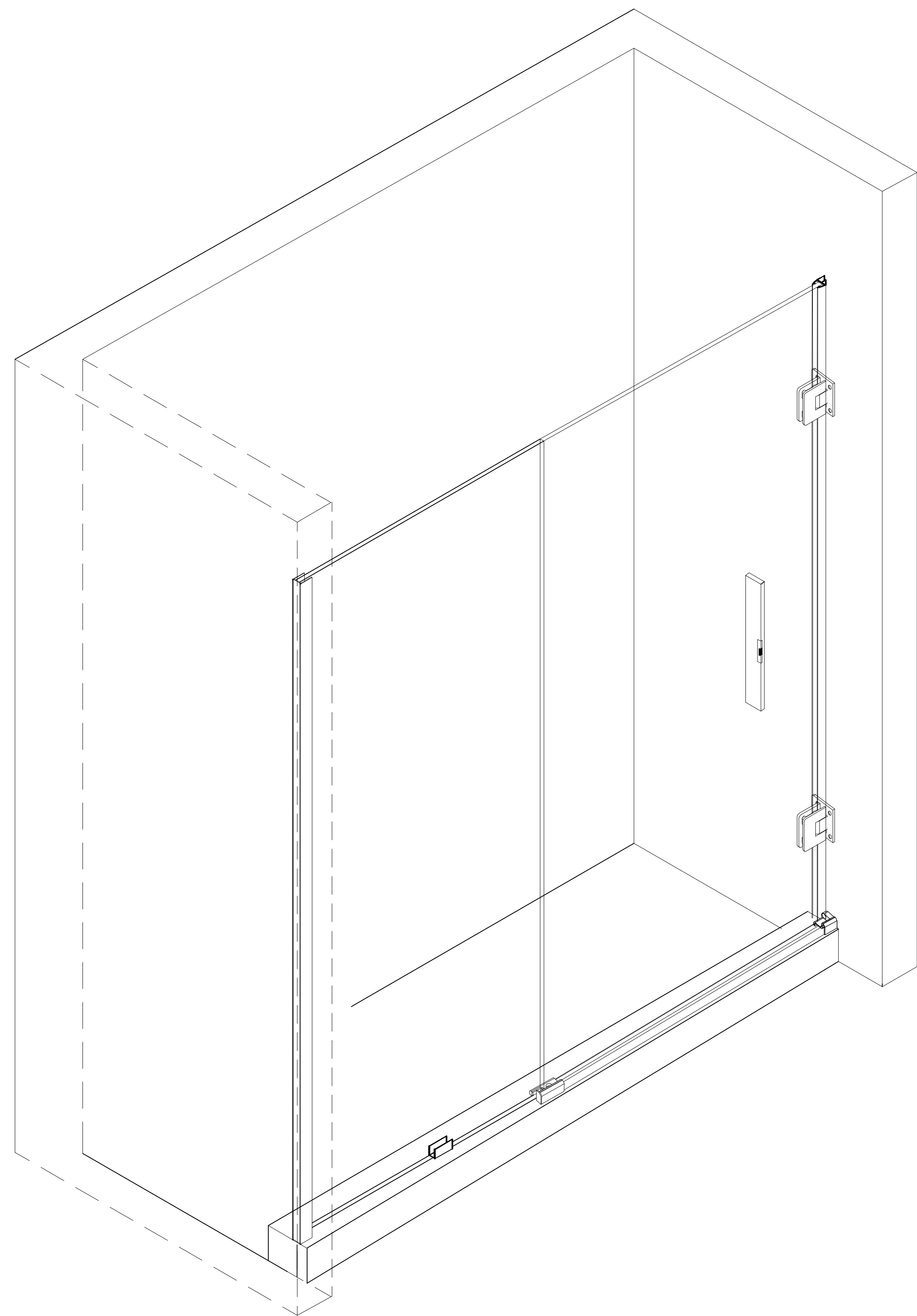
1. Assemble the shower door side seal strip(1) to movable shower door(5).
2. Install the wall-mounted shower door hinges(3) onto movable shower door(5).
3. Hold shower door against the wall with 27mm between the door base and the tile, level the door vertical with a level and mark the hole positions of the wall-mounted shower door hinges(3).



Right Hand Assembly

STEP 4

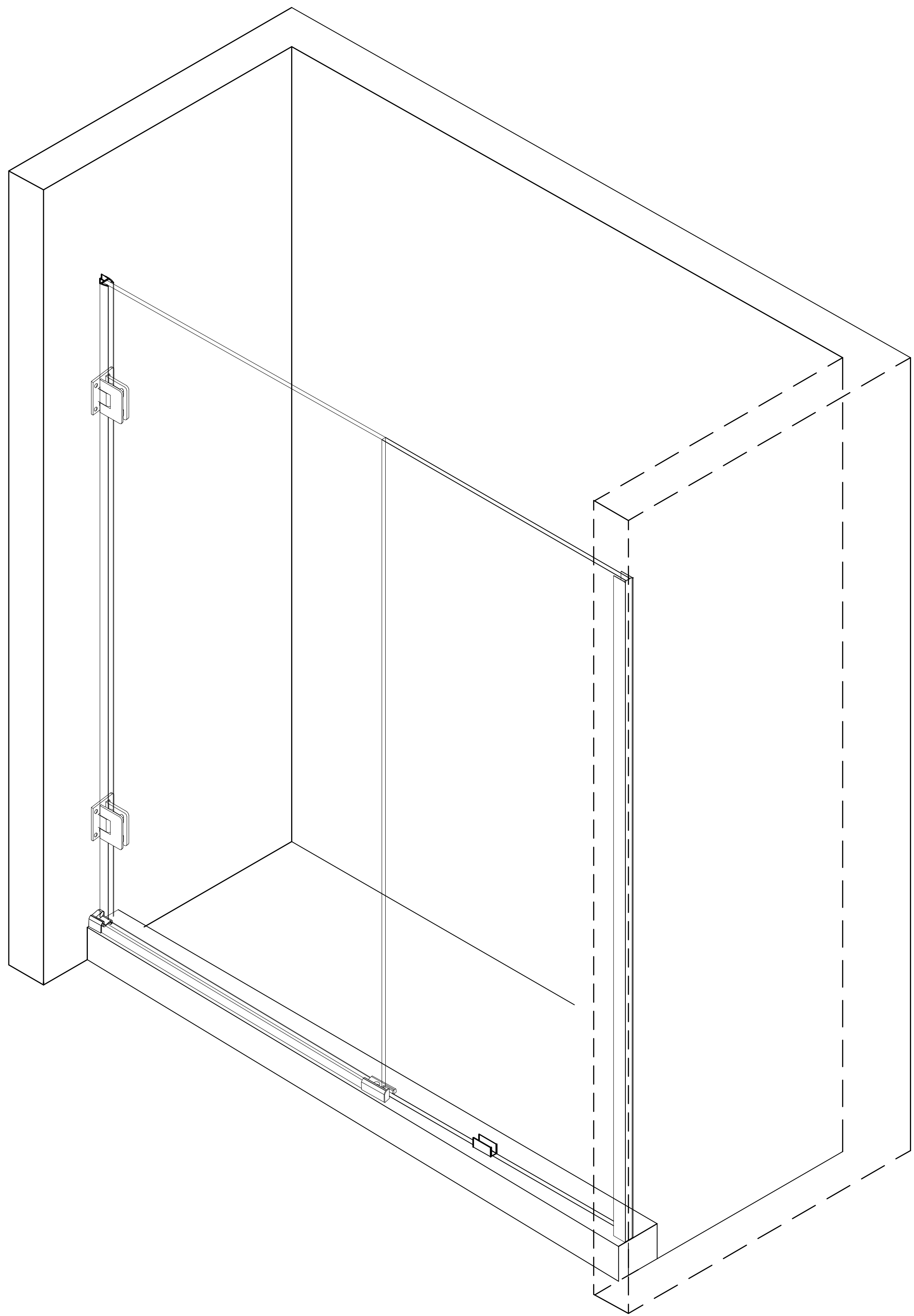
1. Assemble the shower door side seal strip(1) to movable shower door(5).
2. Install the wall-mounted shower door hinges(3) onto movable shower door(5).
3. Hold shower door against the wall with 27mm between the door base and the tile, level the door vertical with a level and mark the hole positions of the wall-mounted shower door hinges(3).



Left Hand Assembly

STEP 5

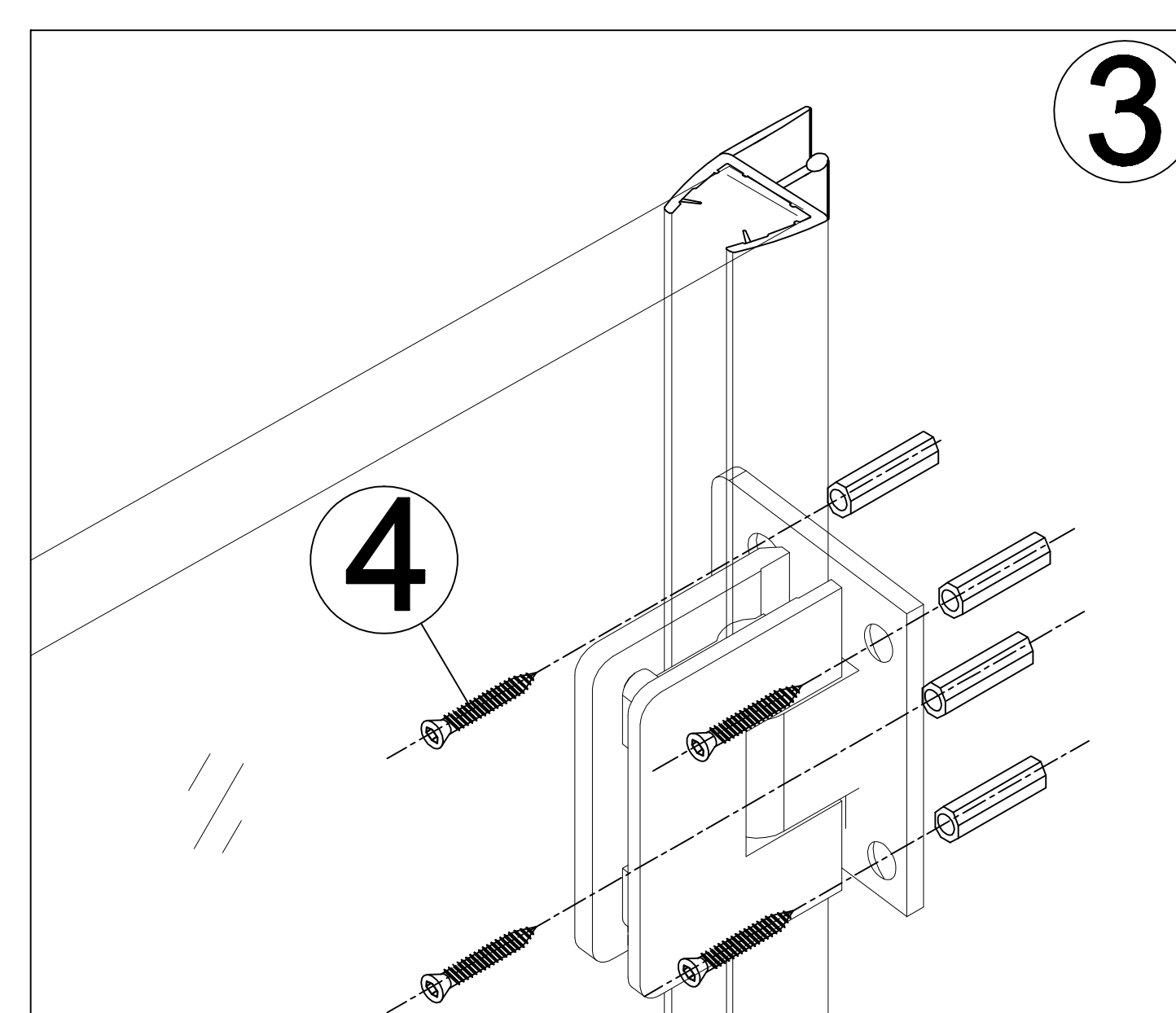
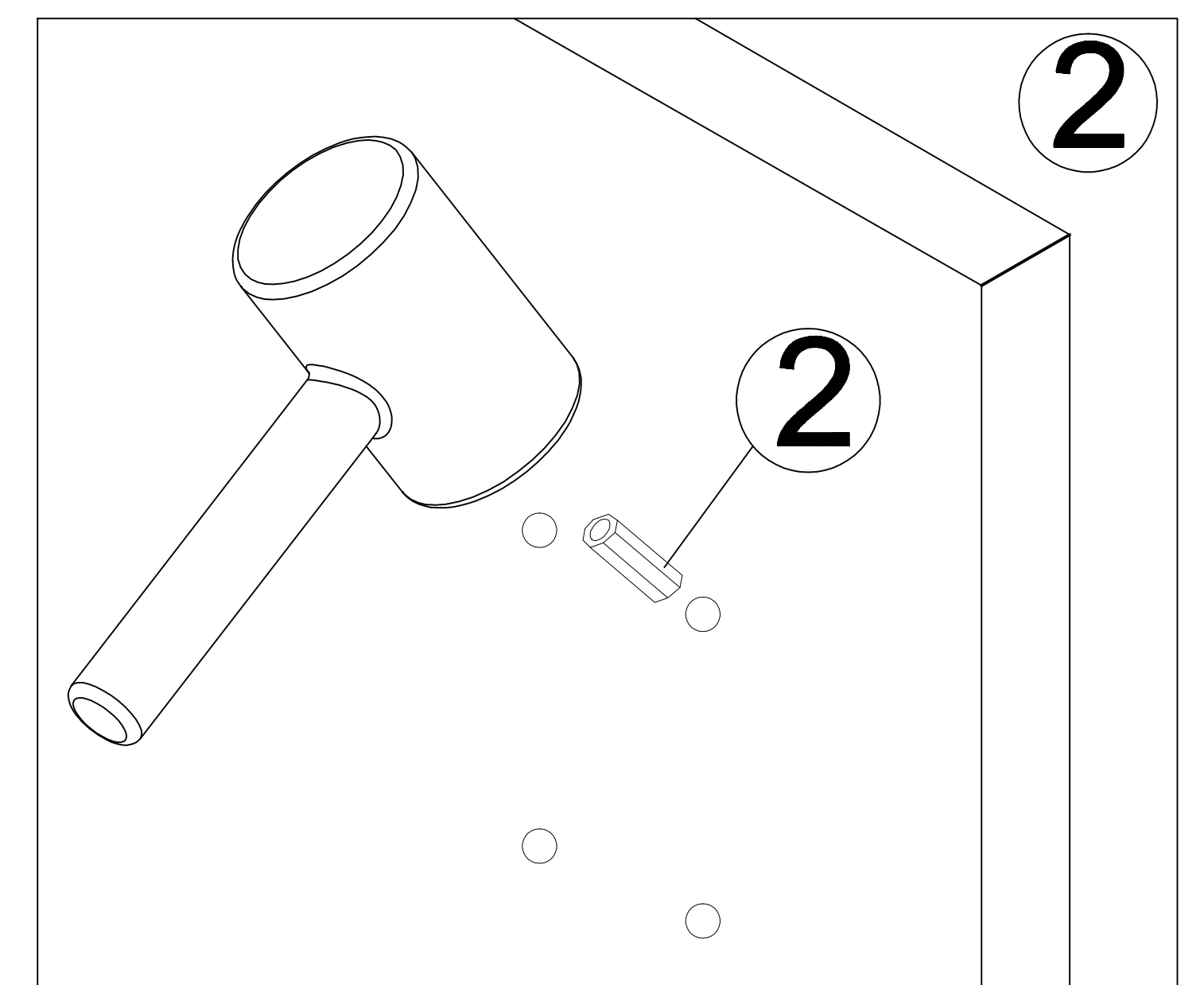
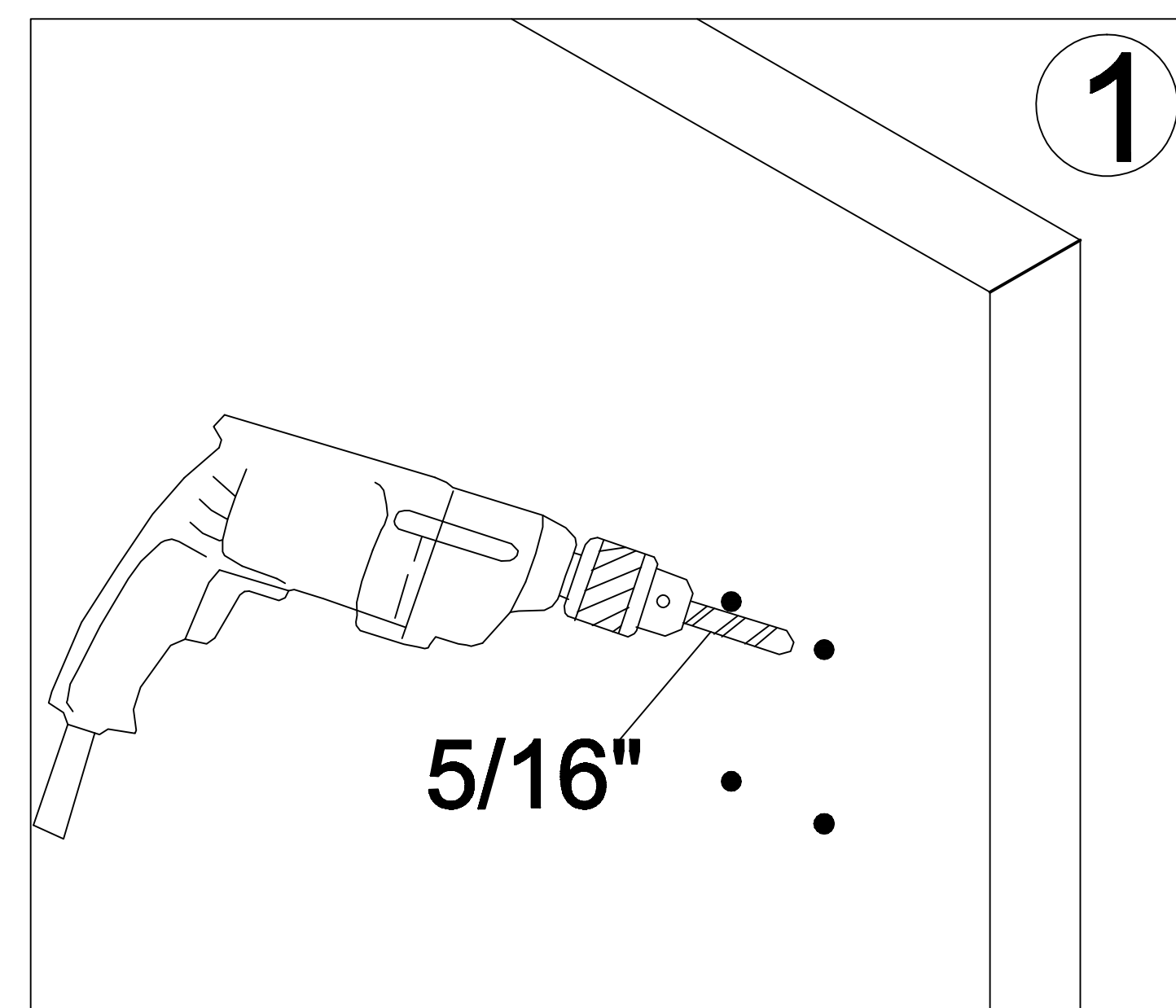
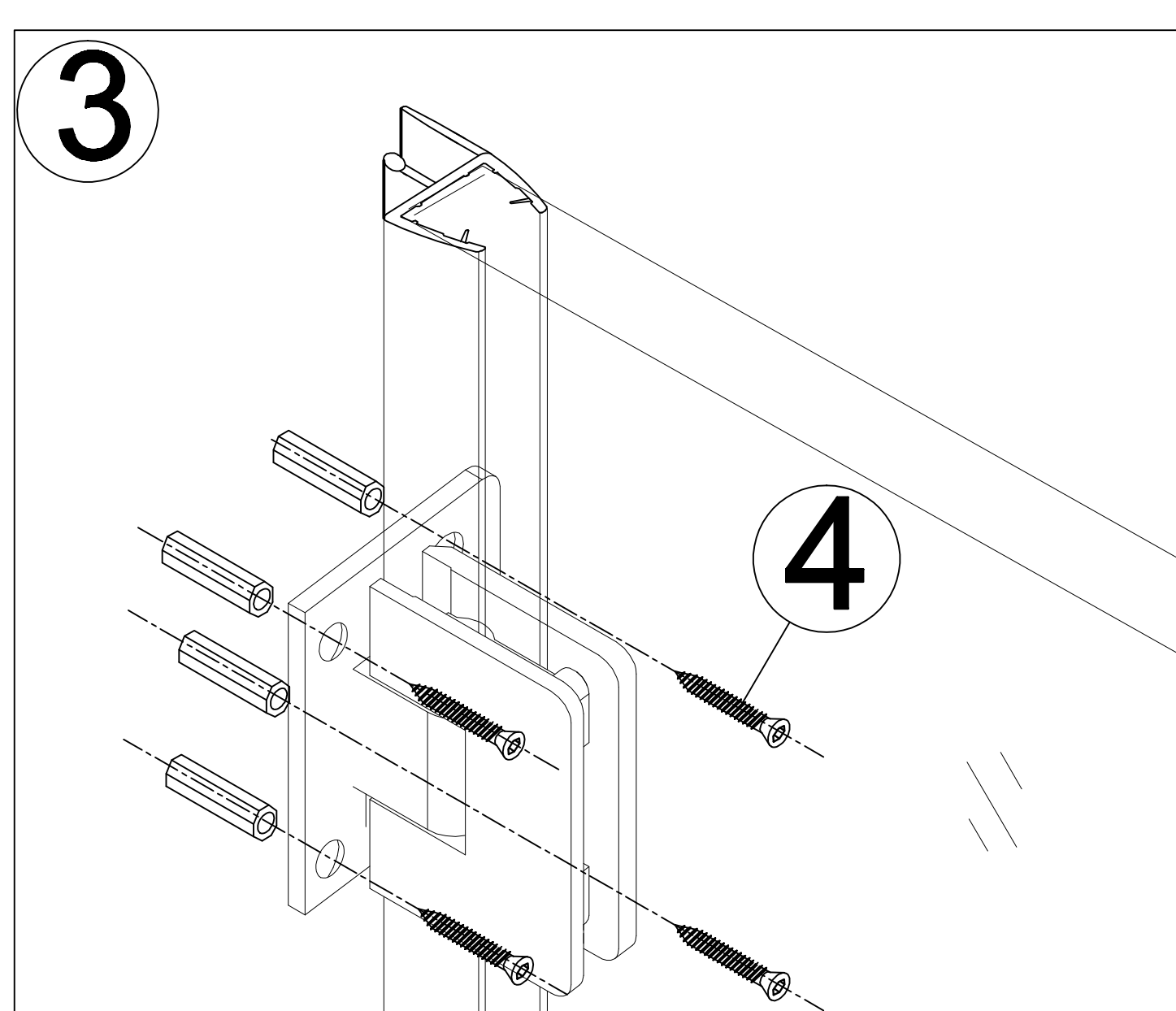
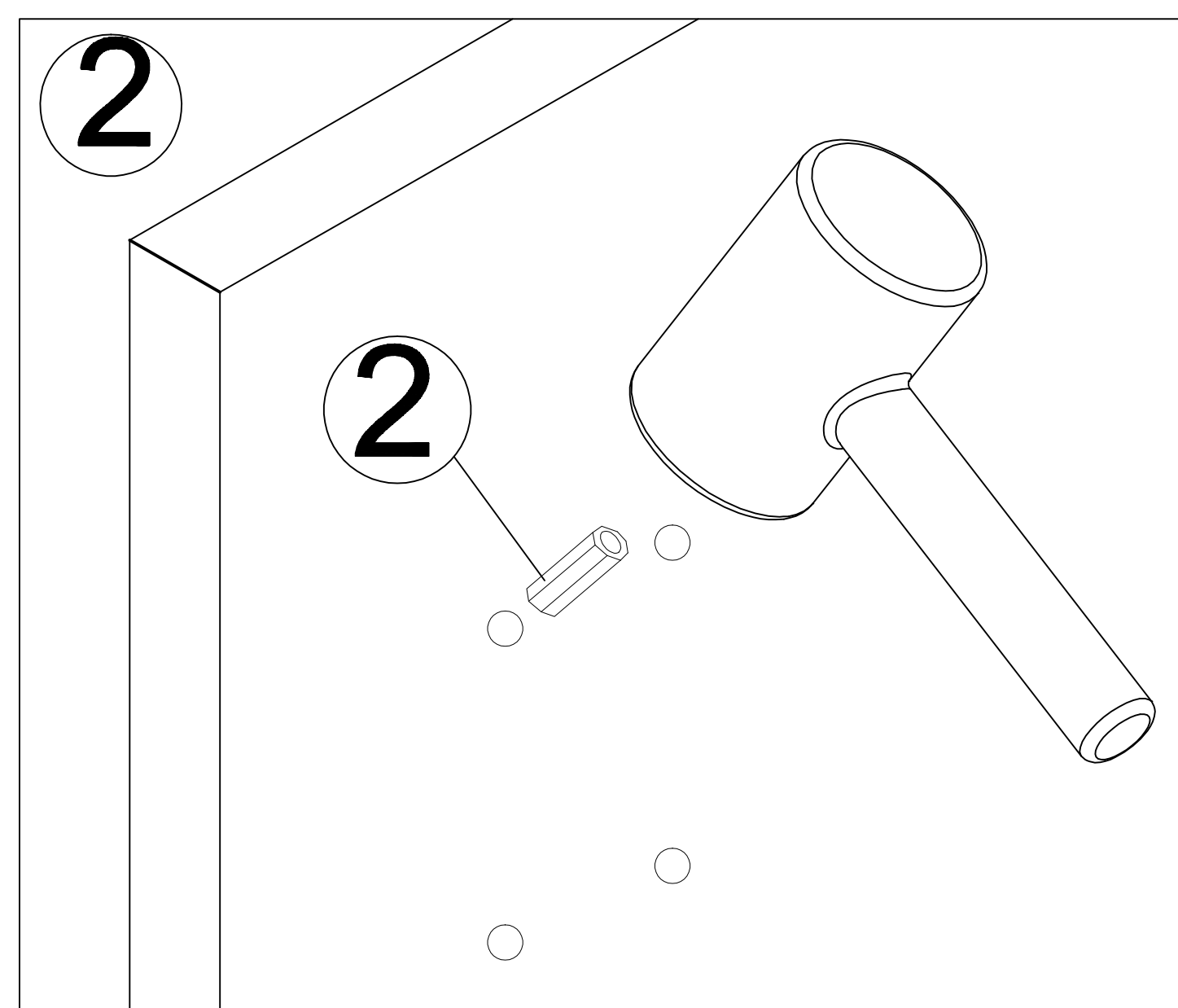
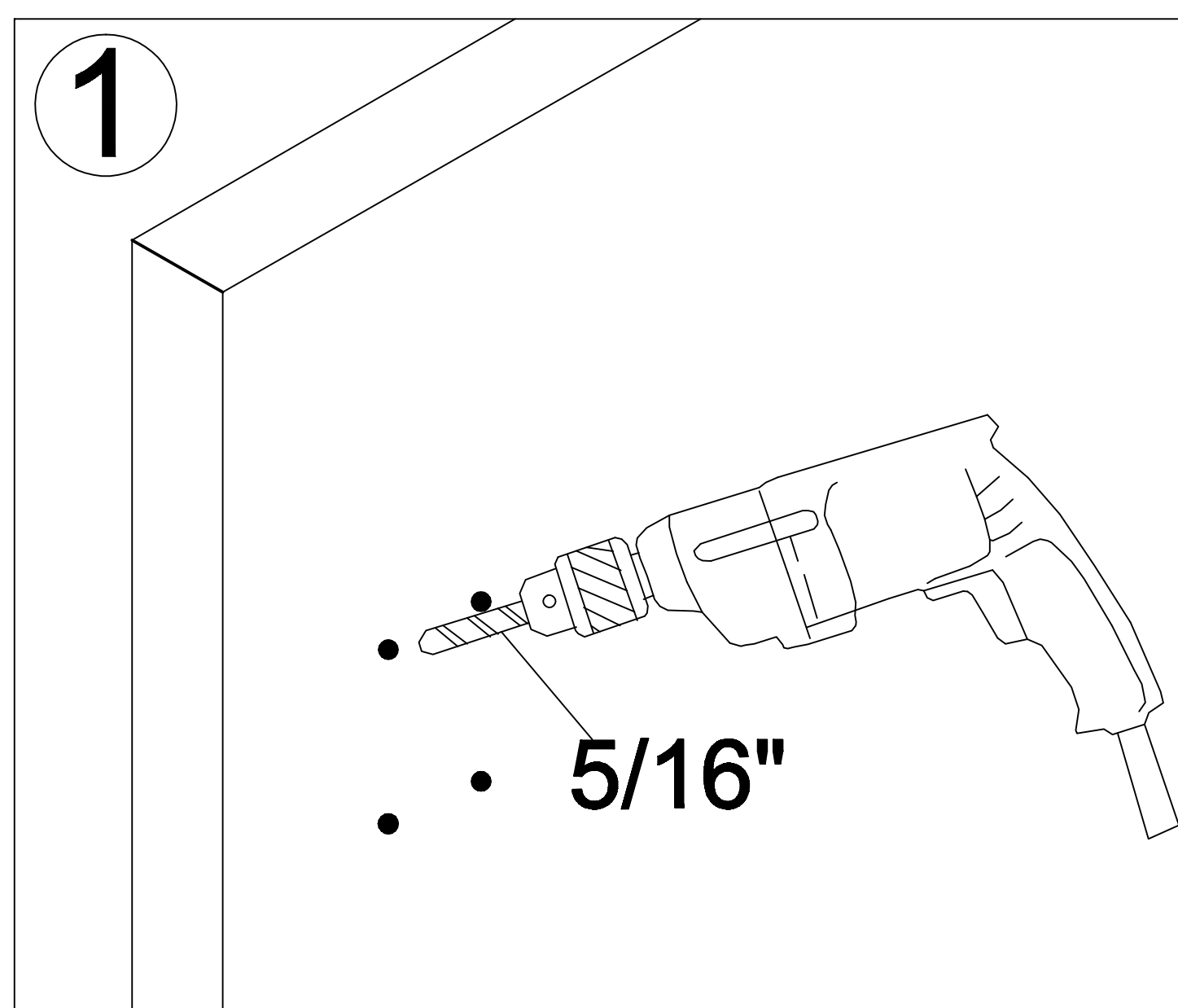
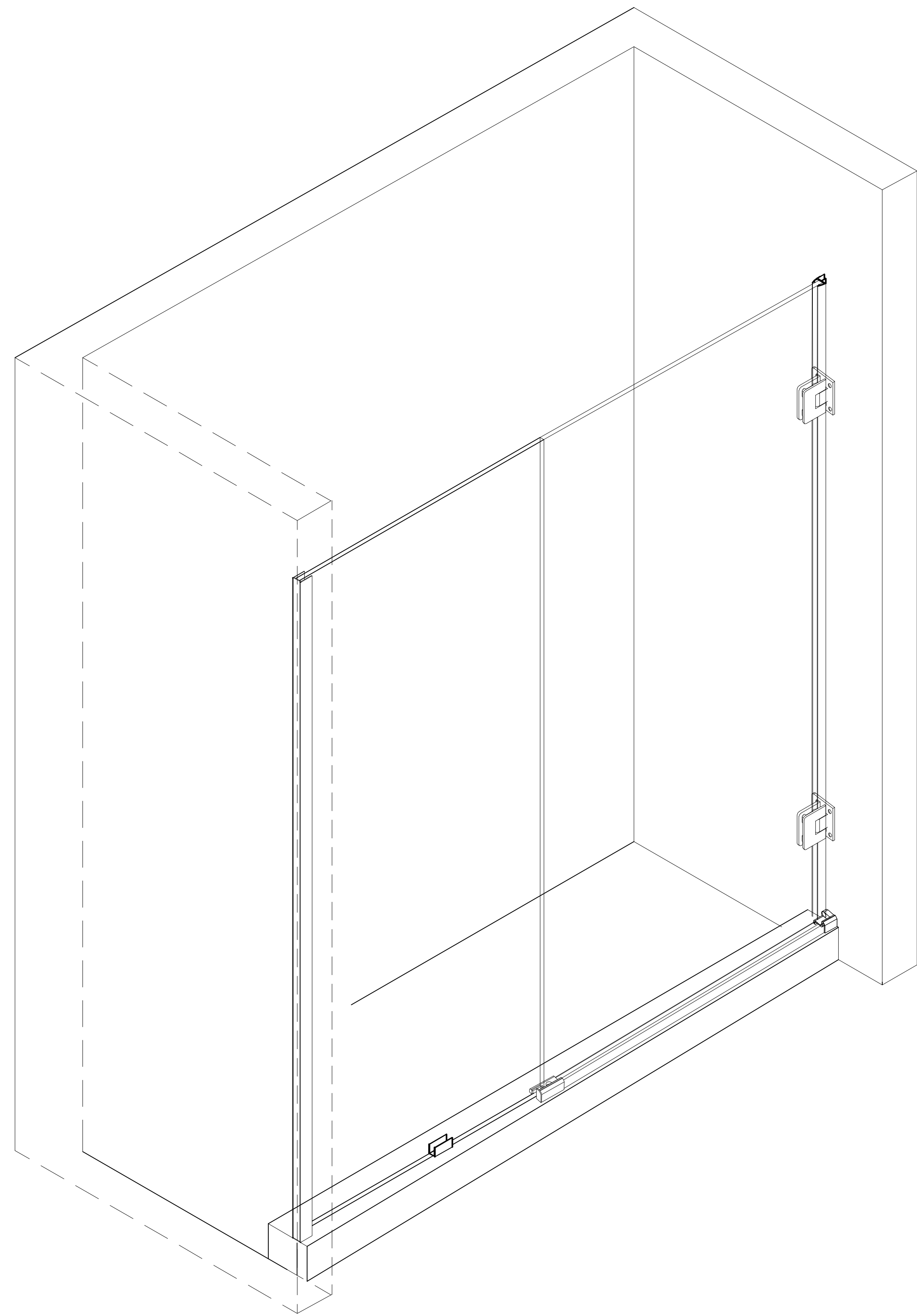
1. Take off movable shower door(5) and drill holes on the markings.
2. Hammer the plug 8*36(2) into the hole.
3. Hold the movable shower door(5) against the wall and secure the wall-mounted shower door hinges(3) onto the wall with screws 5*40(4).



Right Hand Assembly

STEP 5

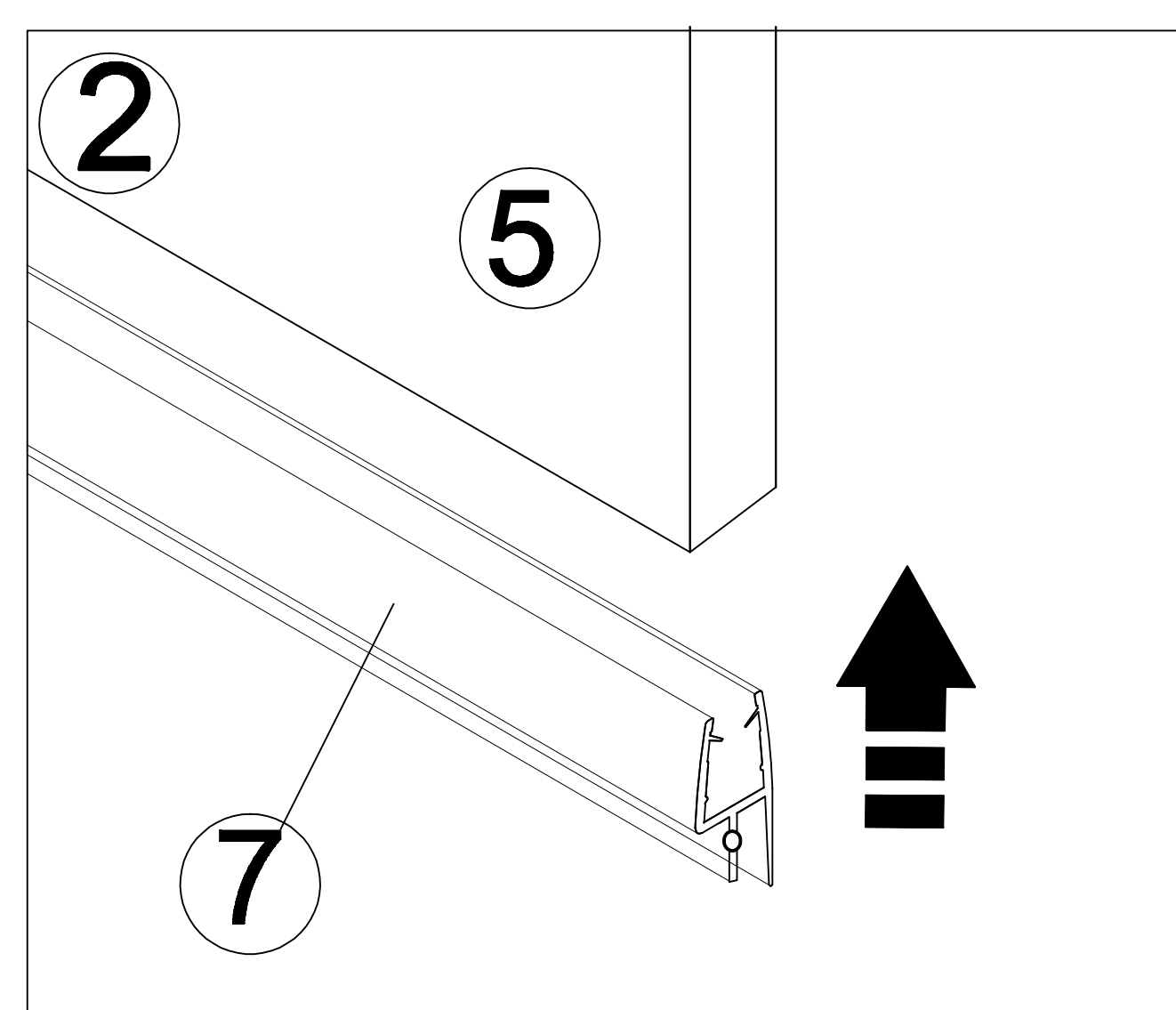
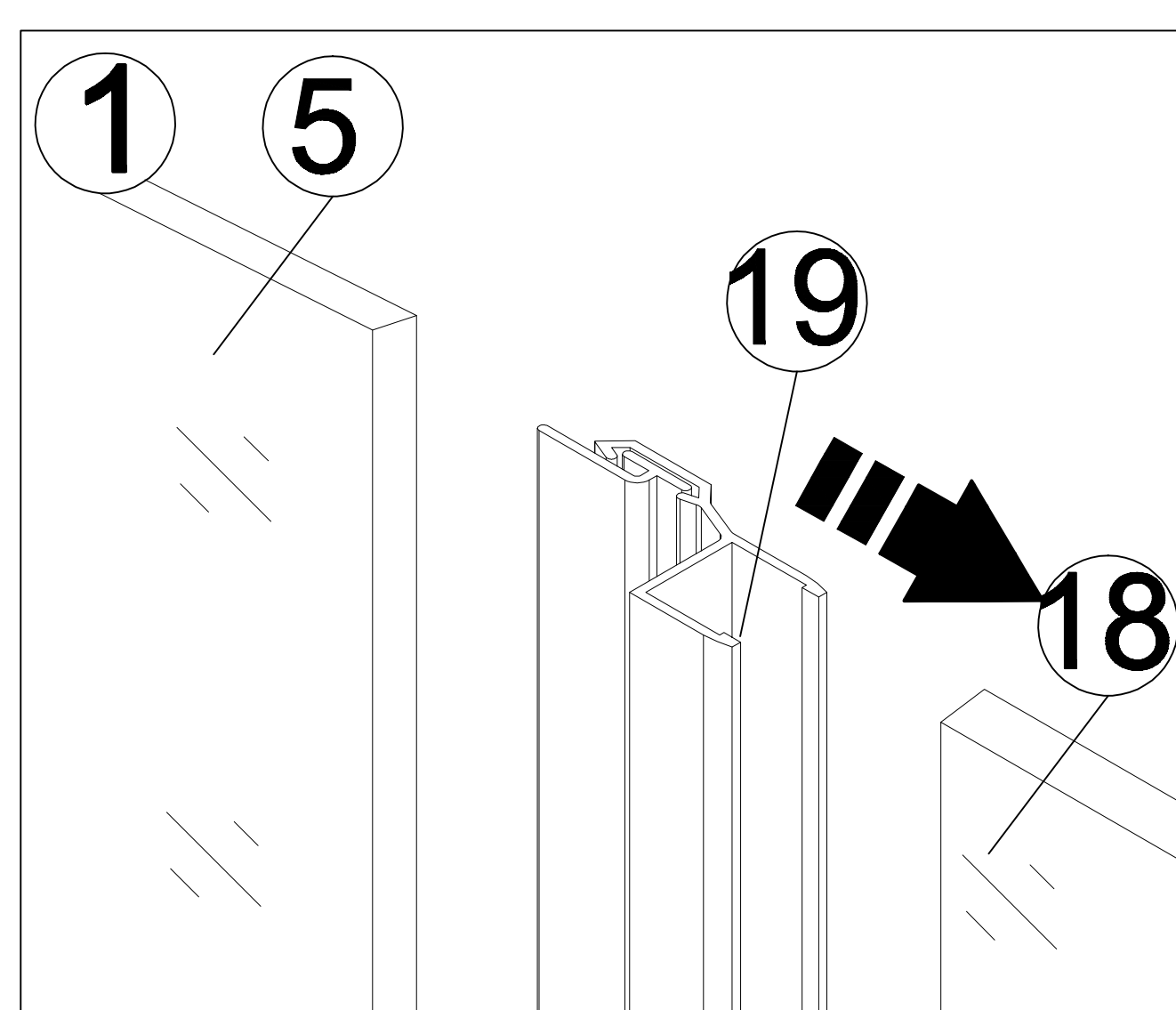
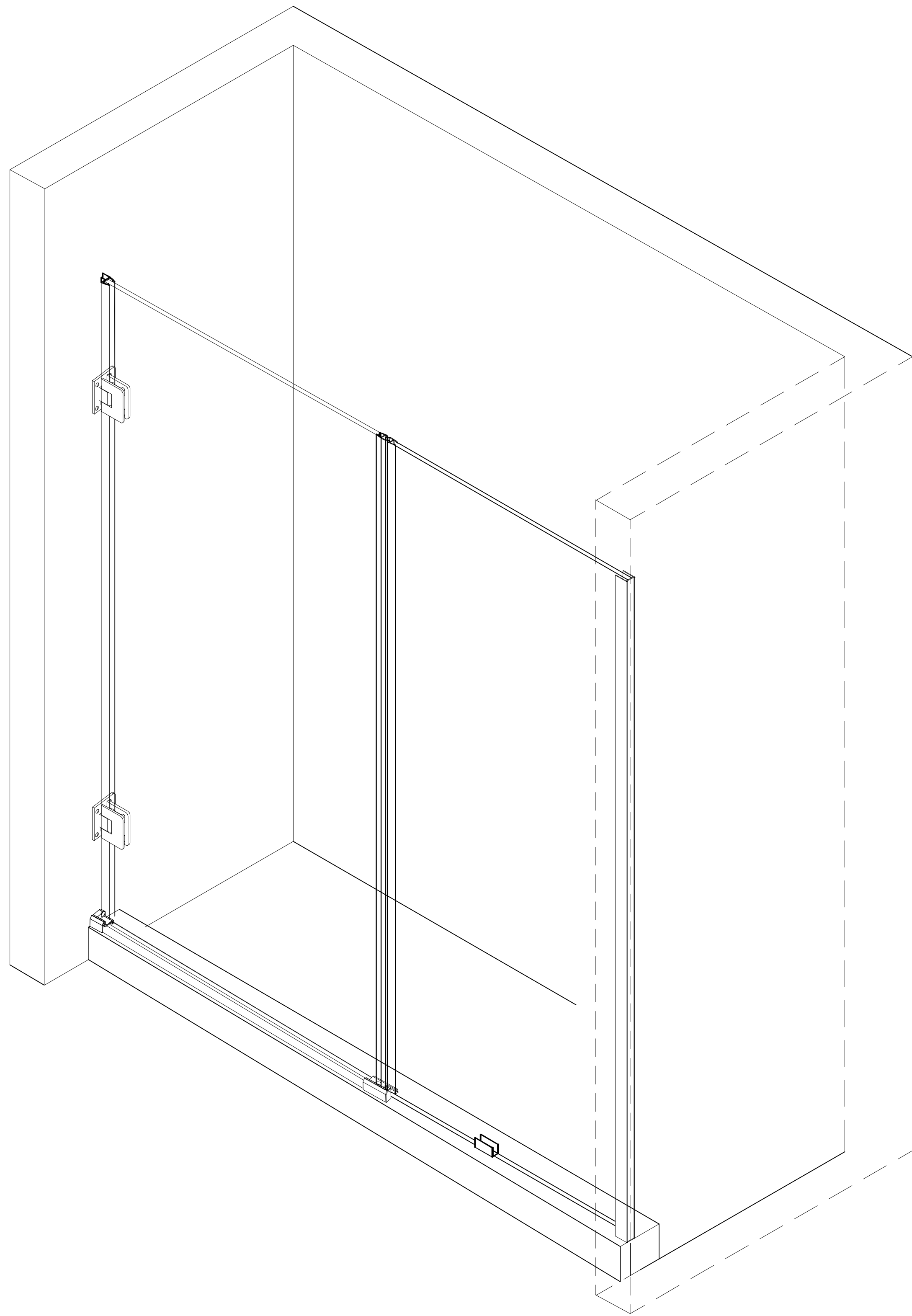
1. Take off movable shower door(5) and drill holes on the markings.
2. Hammer the plug 8*36(2) into the hole.
3. Hold the movable shower door(5) against the wall and secure the wall-mounted shower door hinges(3) onto the wall with screws 5*40(4).



Left Hand Assembly

STEP 6

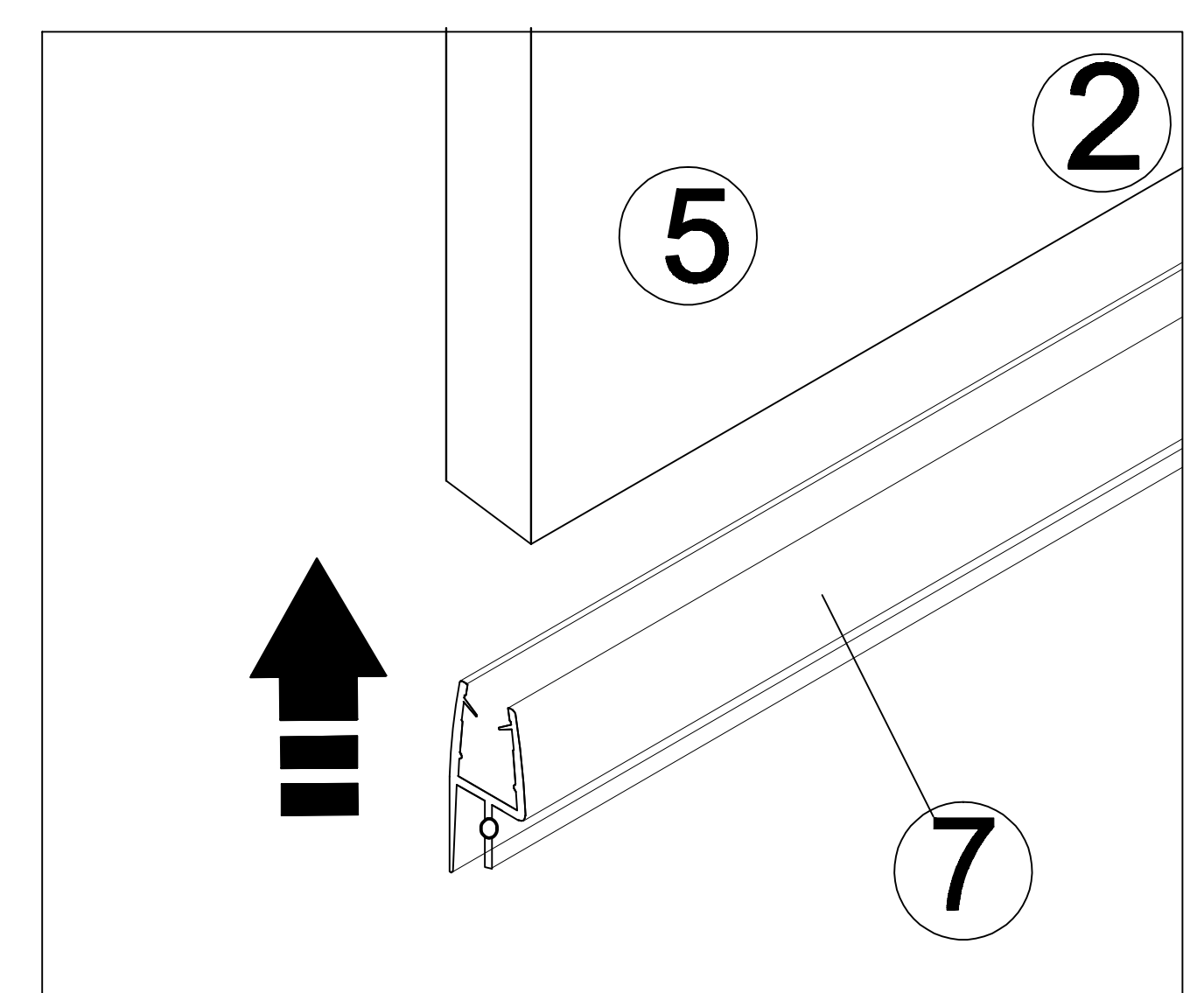
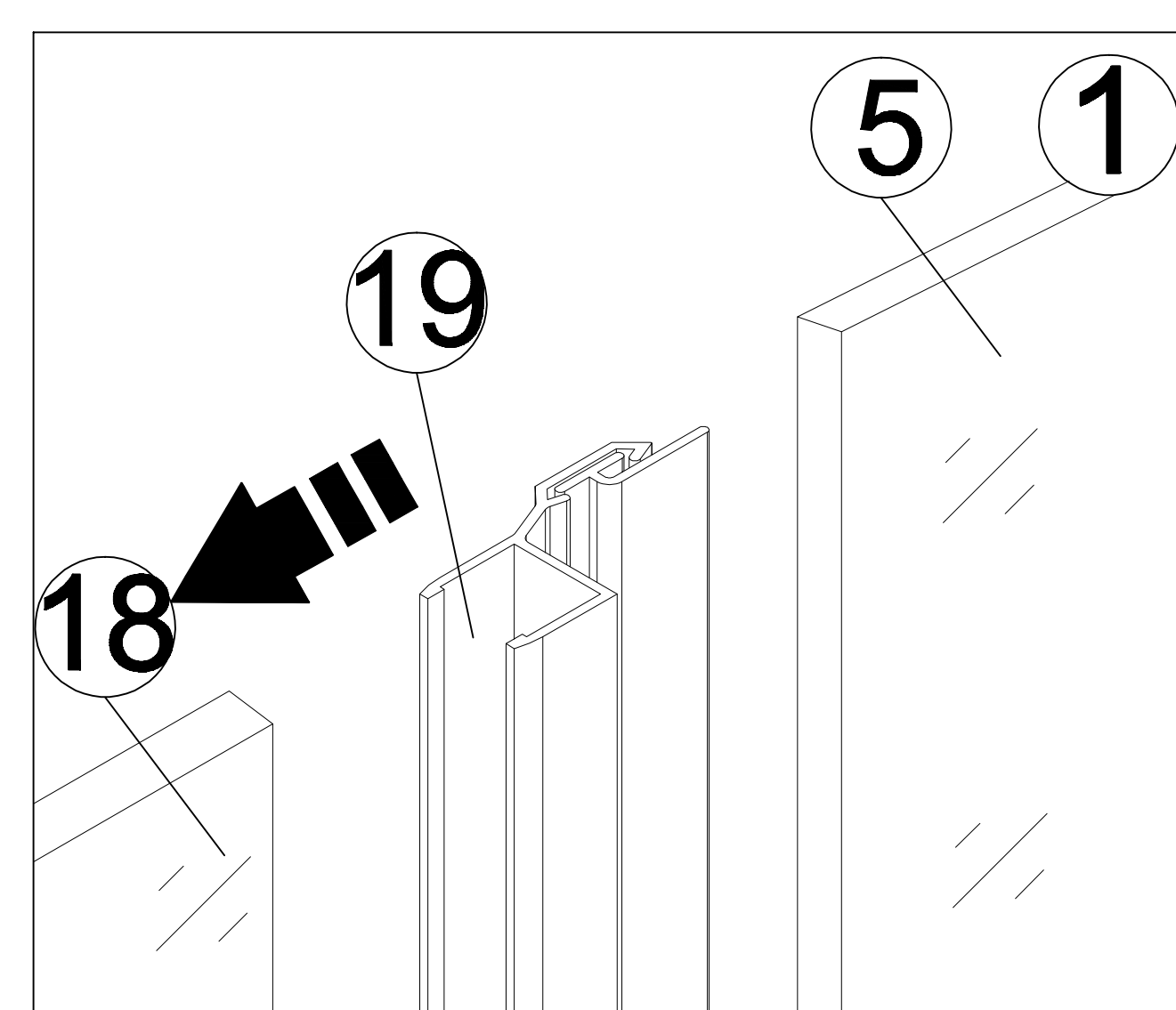
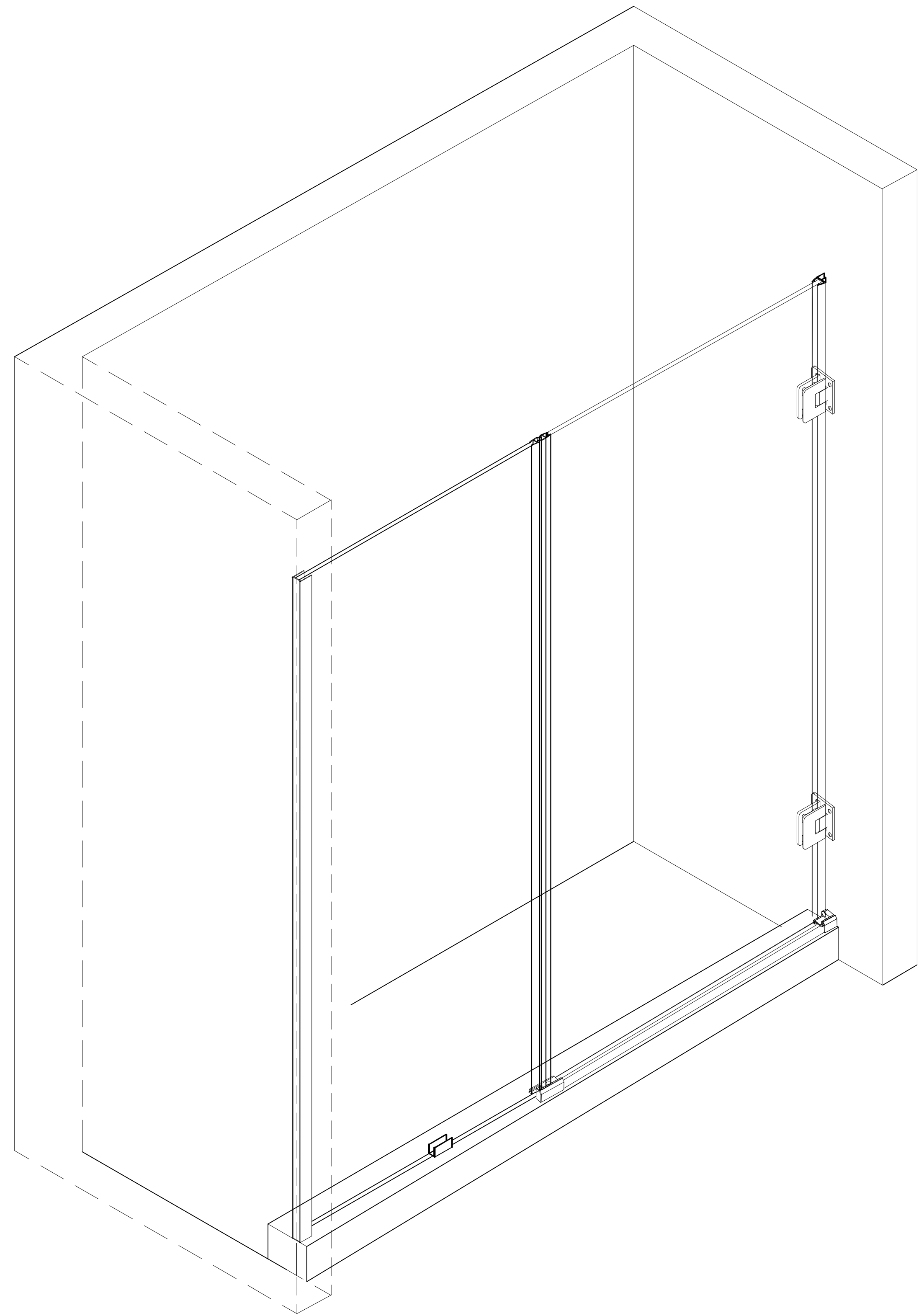
1. Assemble Shower door side seal strip(19) to movable shower door(5) and fixed panel(18).
2. Apply shower door bottom seal strip(7) to movable shower door(5).



Right Hand Assembly

STEP 6

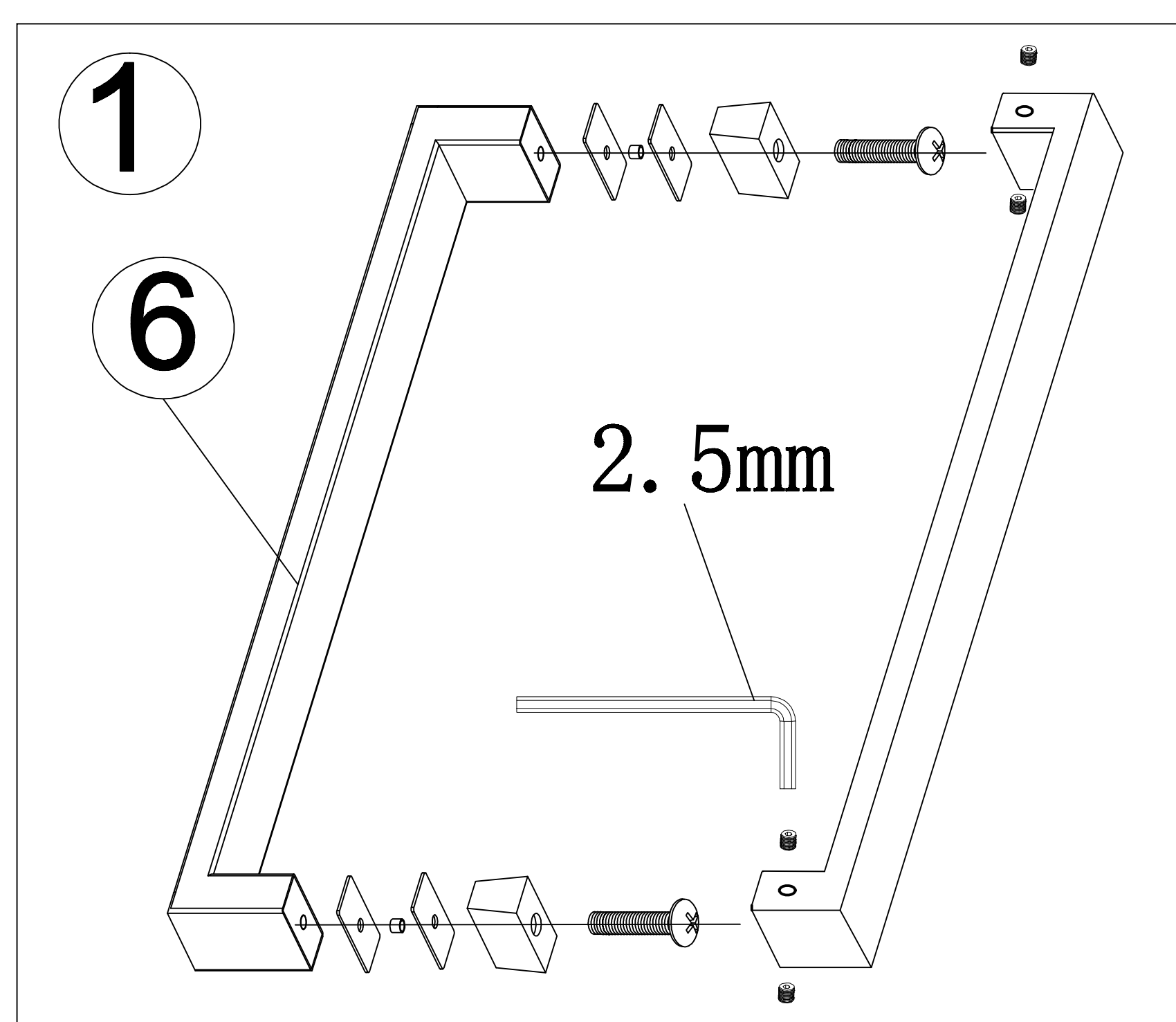
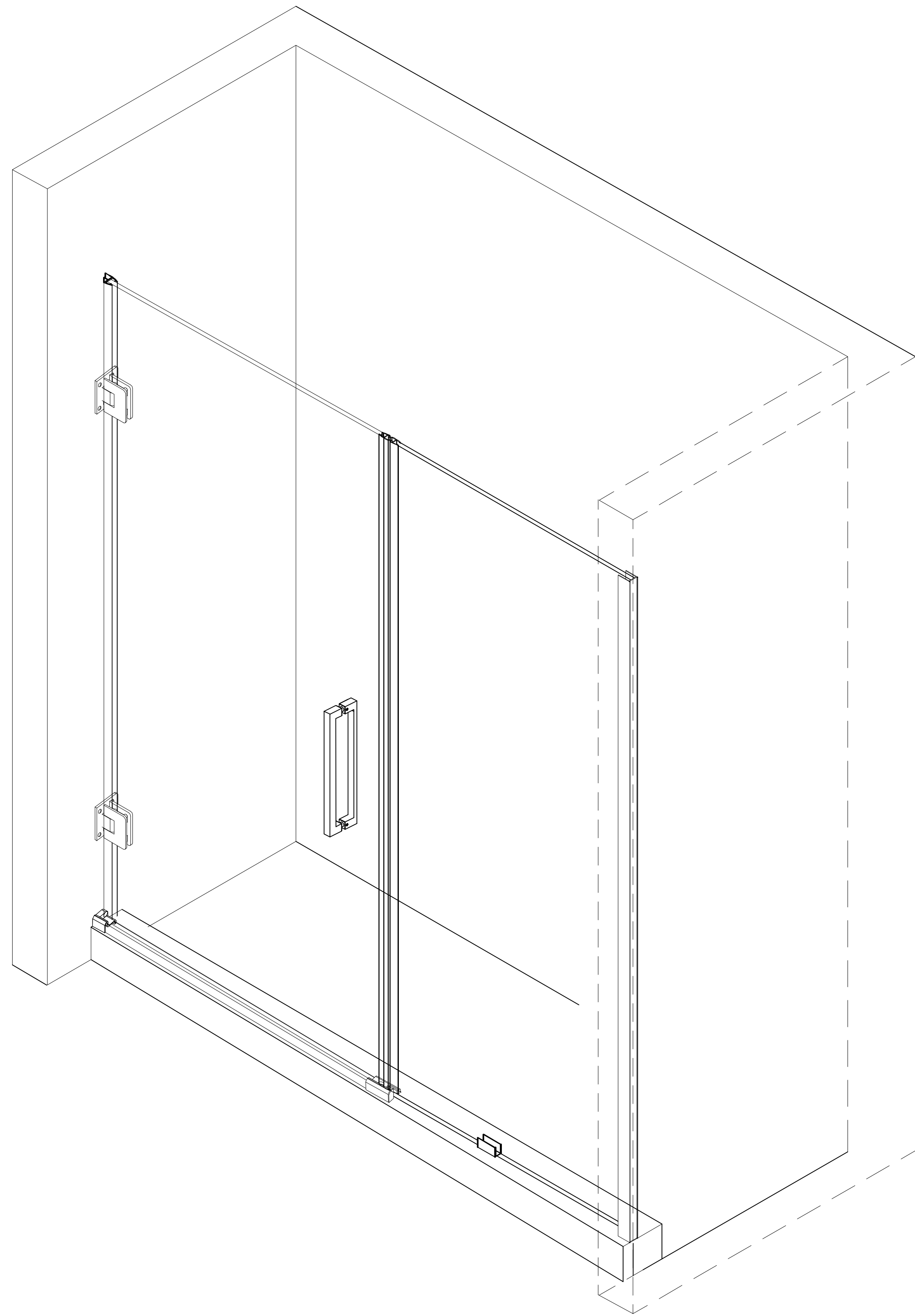
1. Assemble Shower door side seal strip(19) to movable shower door(5) and fixed panel(18).
2. Apply shower door bottom seal strip(7) to movable shower door(5).



Left Hand Assembly

STEP 7

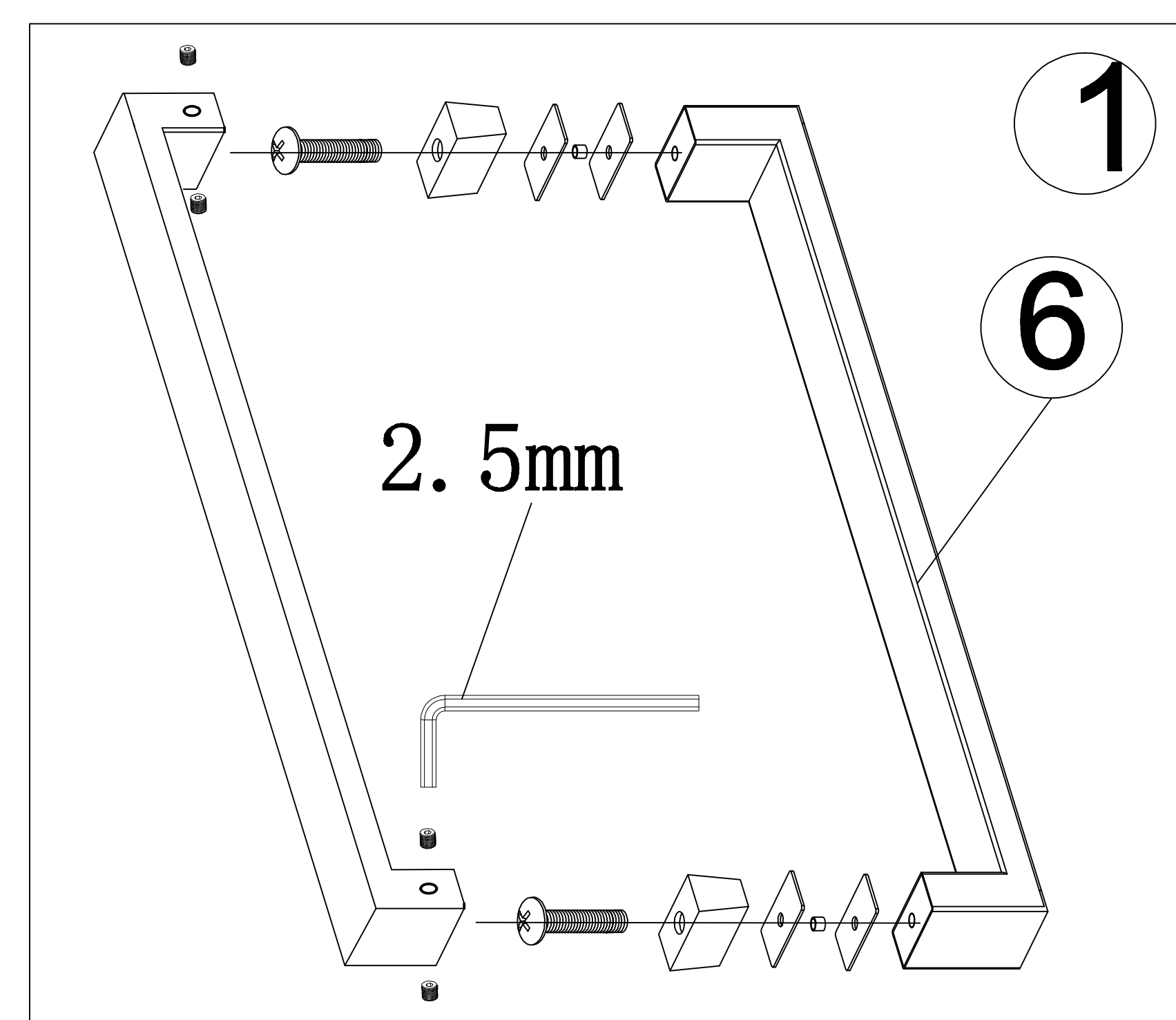
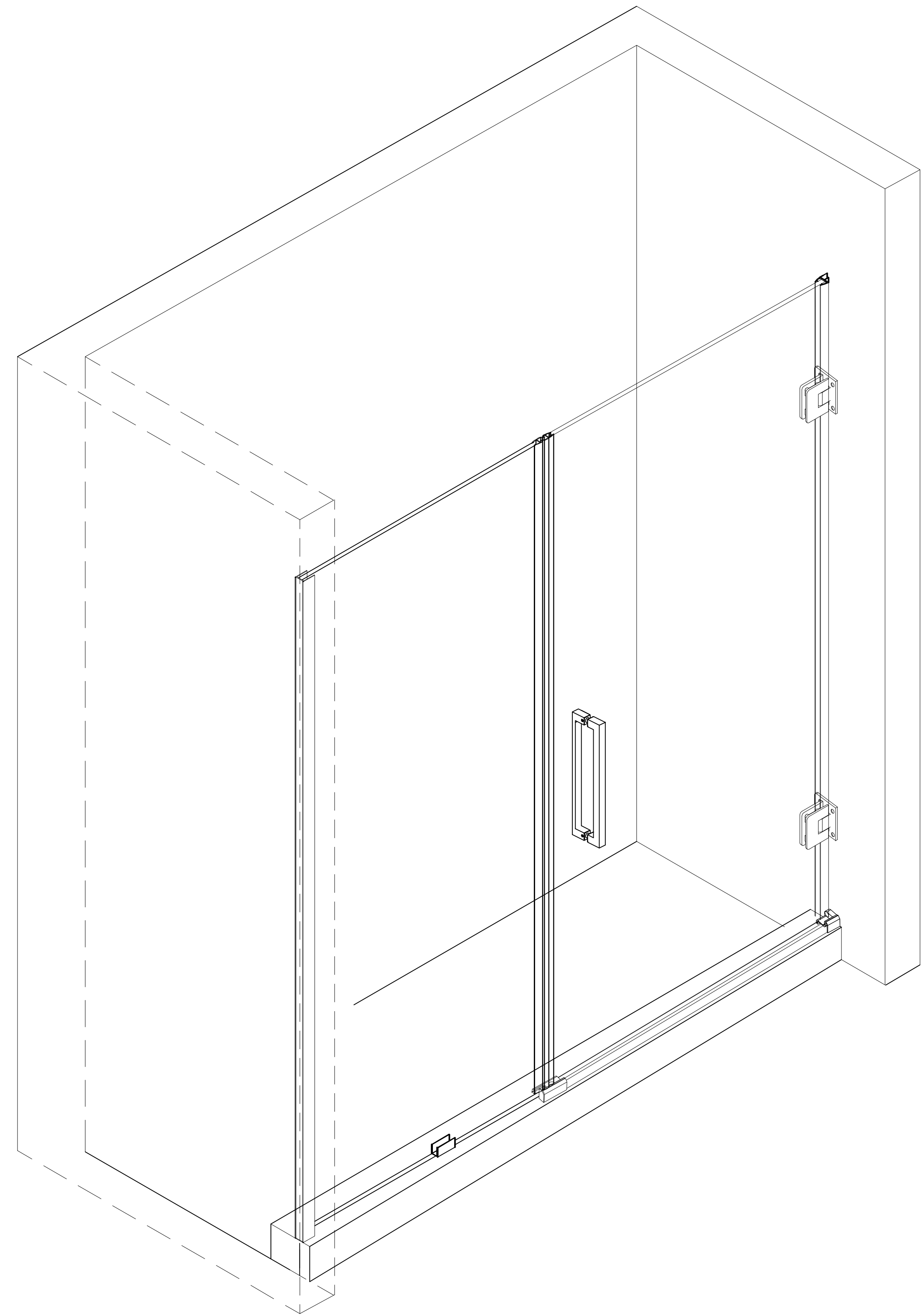
1. Assemble push pull door handle(6) onto shower door(5).



Right Hand Assembly

STEP 7

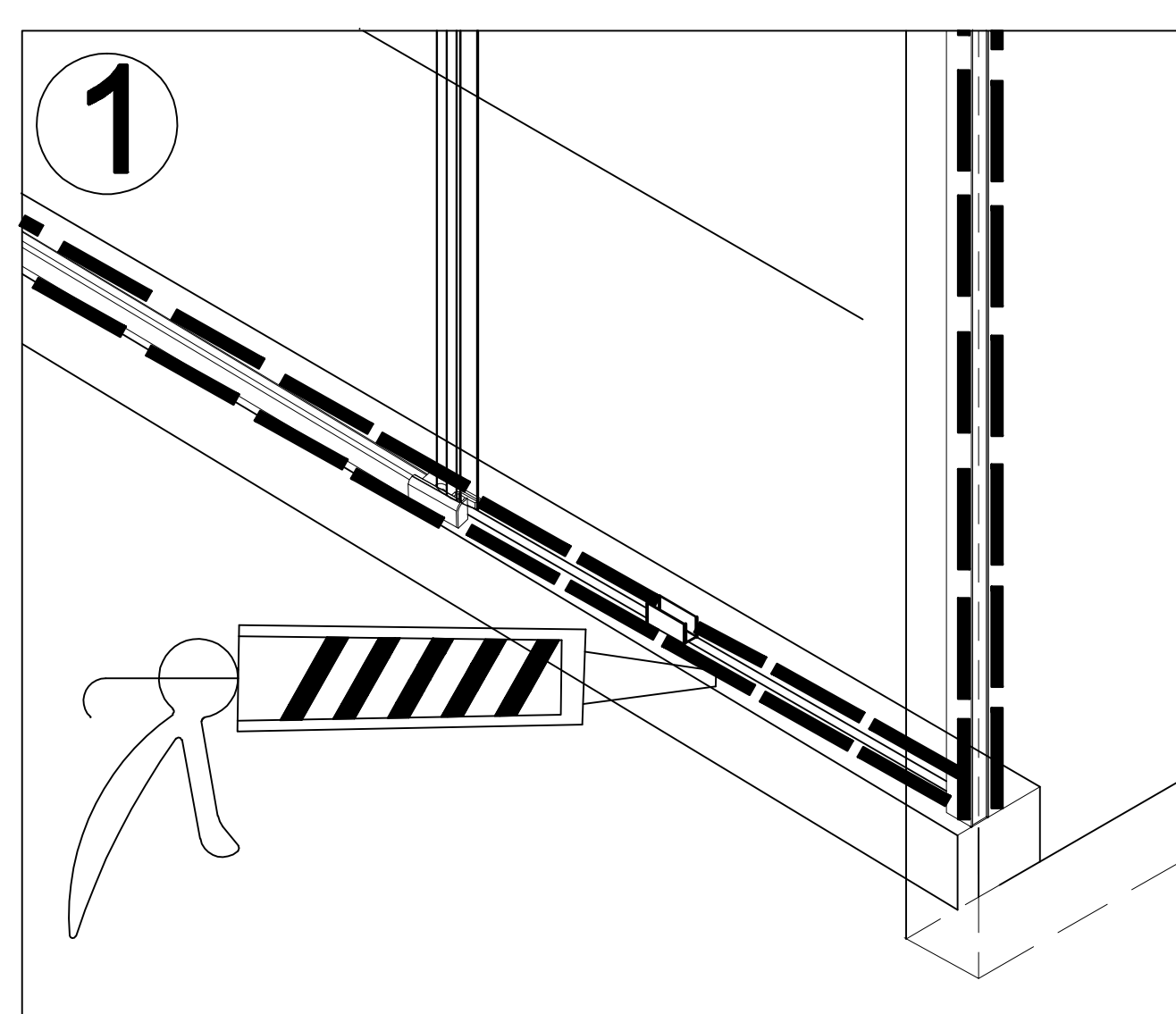
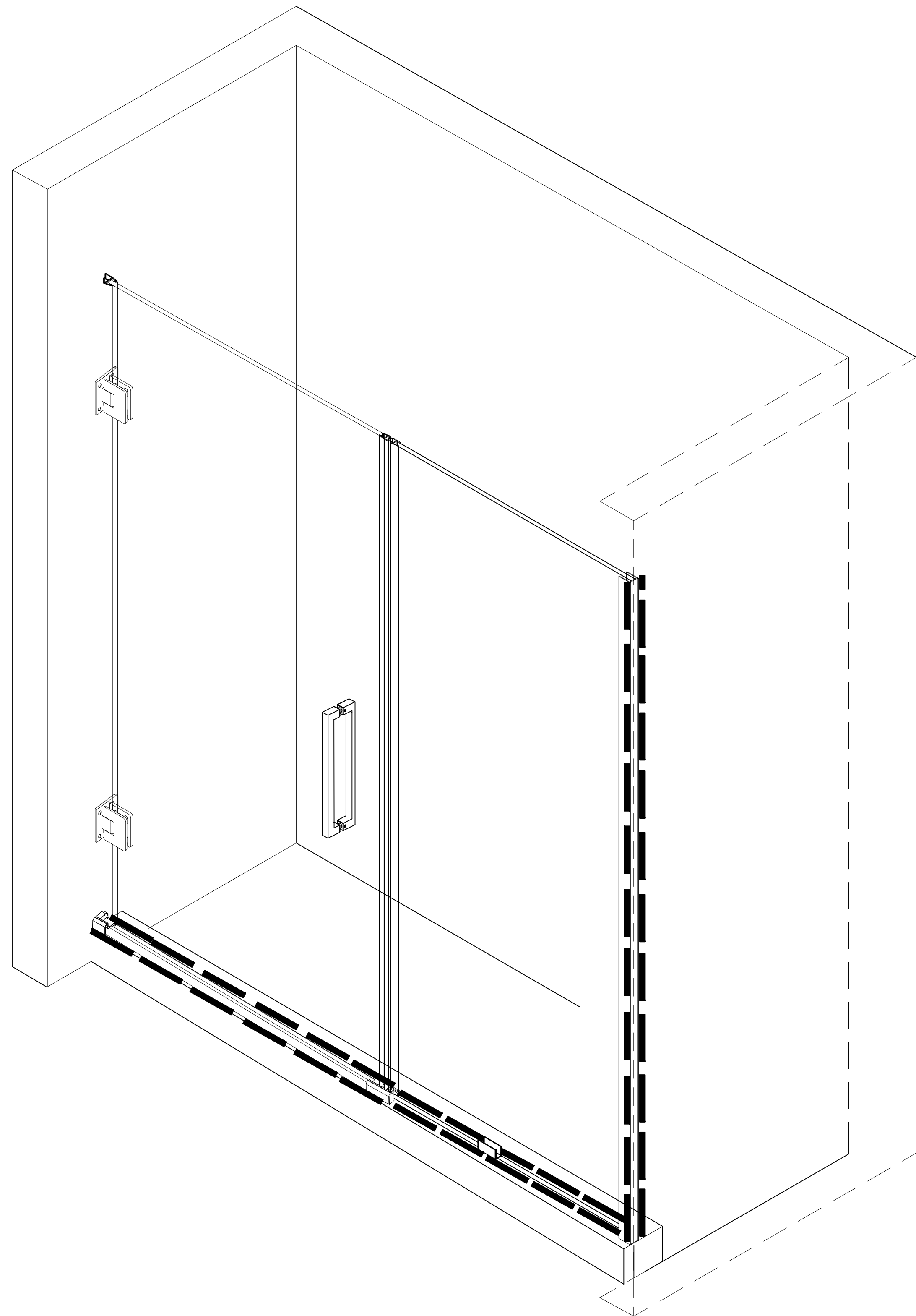
1. Assemble push pull door handle(6) onto shower door(5).



Left Hand Assembly

STEP 8

1. Apply qualified mildew resistant silicone along the sides of wall-mounted stabilizer strip for fixed panel(15), Aluminum strip(11) and fixed panel(18) base. Allow the silicone to dry for 24 hours before using the shower.



Right Hand Assembly

STEP 8

1. Apply qualified mildew resistant silicone along the sides of wall-mounted stabilizer strip for fixed panel(15), Aluminum strip(11) and fixed panel(18) base. Allow the silicone to dry for 24 hours before using the shower.

