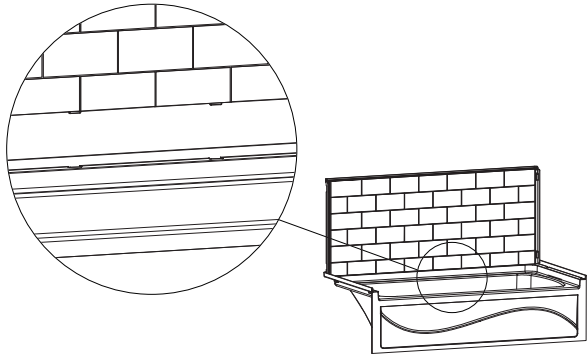


## INSTALLING THE SHOWER PANEL

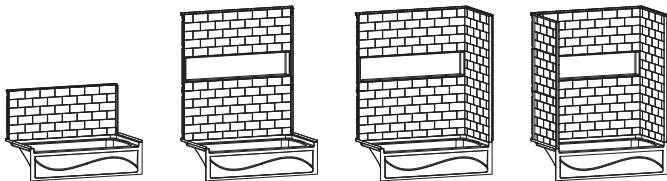


1. Apply adhesive to the back of the lower rear panel, align the lower edge positioning tabs with the bathtub's upper edge grooves, and secure it in place.



2. Apply adhesive to the seam between the lower rear panel and the niche panel, align the niche panel's lower edge protrusion with the upper edge groove of the rear panel, and secure it in place.

3. Apply adhesive to the grooves of the panel joints, insert the side panels into the rear panel's receptacle grooves, and align the gaps between the panels.



## FIXED PANEL

After all the installations are completed, fix the wall panels with screws.

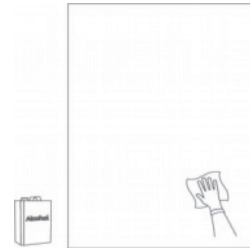


## INSTALL FAUCET

1. Apply sealant tape and install a 1/2" spout nipple 1-1/8" (29 mm) from the wall. Apply sealant tape to the end.
2. Use a clean strap wrench to install the spout.
3. Apply sealant tape and install a 1/2" shower arm nipple 1-1/8" (29mm) from the wall. Apply sealant tape to the end.
4. Install the wall plate onto the shower arm. Install the shower arm.
5. Remove the plaster guard. Then turn on the water to test the faucet.
6. Turn off the water and finish.

## FINISH INSTALL

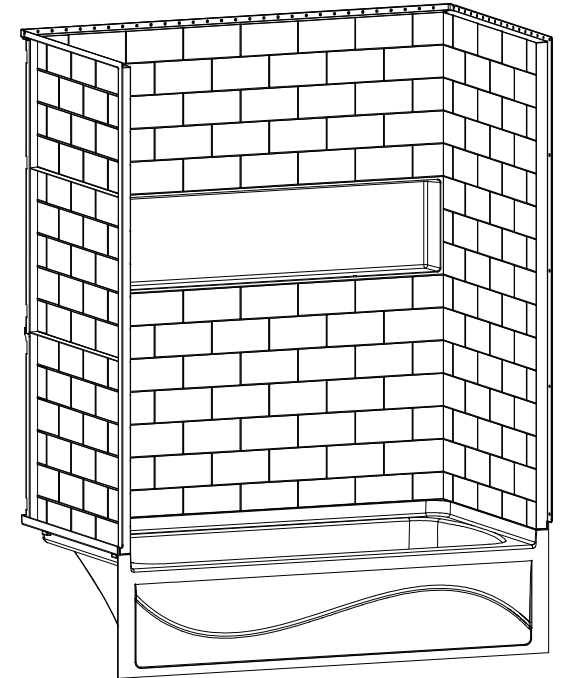
Clean the backs of each panel with denatured alcohol or another non-oil-based cleaning solvent. Do not use oil-based cleaners, such as mineral spirits, to clean the panels. The oil in the cleaner will prevent the panel from adhering properly to the wall.



## CARE AND MAINTENANCE

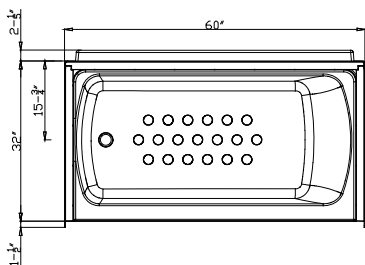
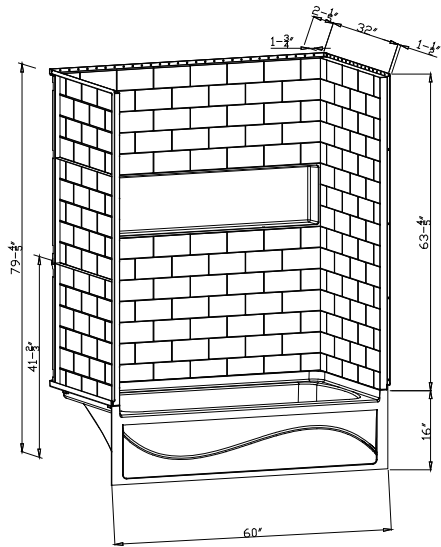
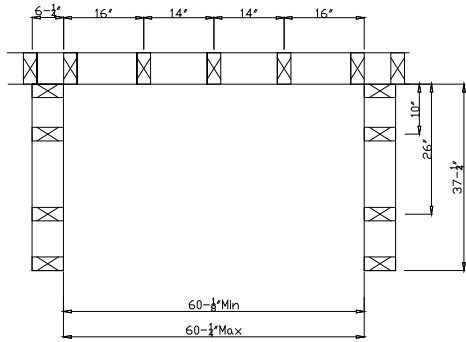
- Cleaning and maintenance of the shower wall panels should be performed regularly.
- The ideal cleaning time is right after shower use. Soap scum, lime, and other heavy soil could contain invasive materials. The lack of cleaning and maintenance could result in damaging the surface of the wall panels and the core. Lack of cleaning shower walls could create discoloration of the wall panel.
- Shower walls should be cleaned regularly with a nonabrasive all-purpose household cleaner or window cleaner. Always test your cleaning solution on an inconspicuous area before applying it to the entire surface.
- Avoid using abrasive cleaners, scouring powders, grit, acid, acetone, alkaline, and ammonia.
- To extend the life span of the wall panels, daily cleaning with wet wipes and proper diluted neutral detergent (PH 7-8) is recommended. Always clean with a wet cloth as dry cleaning could scratch the surface.
- Avoid high concentrations of solvents, and strong alkaline and strong acidic solution during the cleaning.

 **VANITYART**

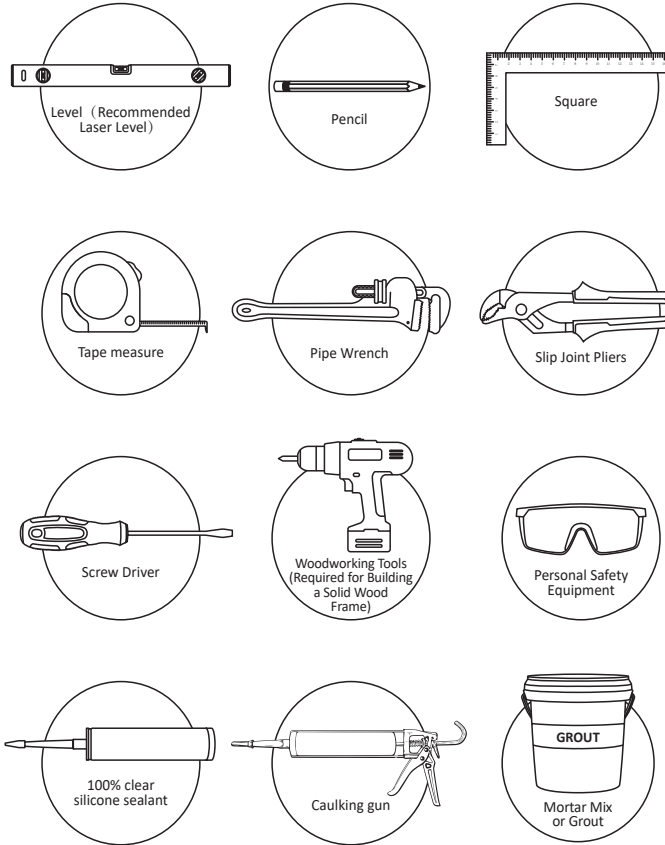


**BATHTUB INSTALLATION PROCESS**

## TECHNICAL INFORMATION



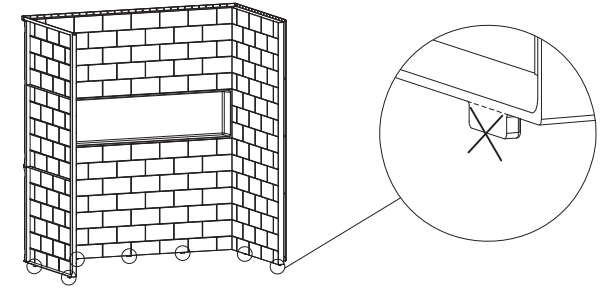
## REQUIRED TOOLS



## INSTALLATION TIPS

- Open the bathtub & wall panels and inspect the product for any damage.
- Clean and scrape the surface of the floor and wall alcove. This space must be free of any debris in order to achieve proper adhesion with the thin-set mortar or structural adhesive.
- Install this product according to the installation instructions.
- Studs should be positioned roughly as shown.
- The positioning convex plates of the wall panel should be installed in the groove of the bathtub.

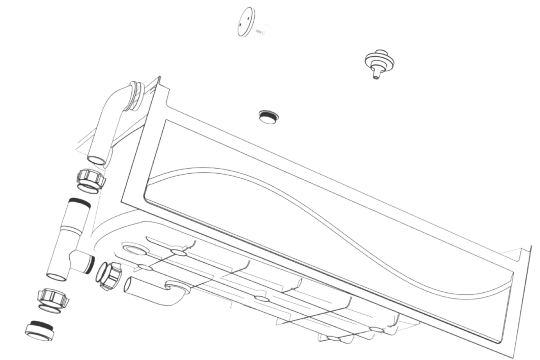
## NOTE



Note: If non-standard bathtub and base products are used (not provided by our company), the lower edge positioning tabs on the wall panels may need to be trimmed.

## INSTALLING THE BATHTUB

1. Measure reserved installation dimensions, keep the installation area clean and tidy.
2. Install water pipe fittings and apply waterproofing measures in the installation area.
3. Install bathtub drain and overflow components.



4. Apply structural adhesive or cement mortar to the bottom of the bathtub, place it in the designated position, and ensure it is level using a level tool.