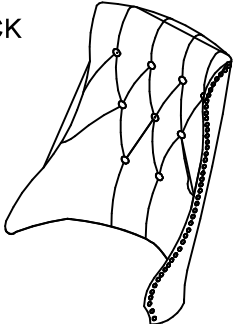
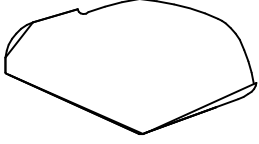








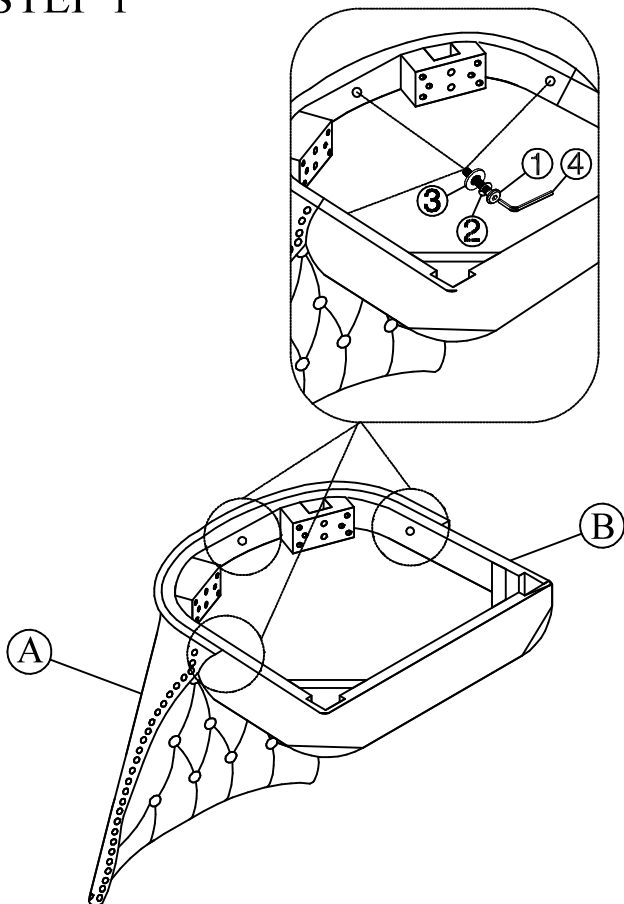
Installation & Assembly

DINING CHAIR

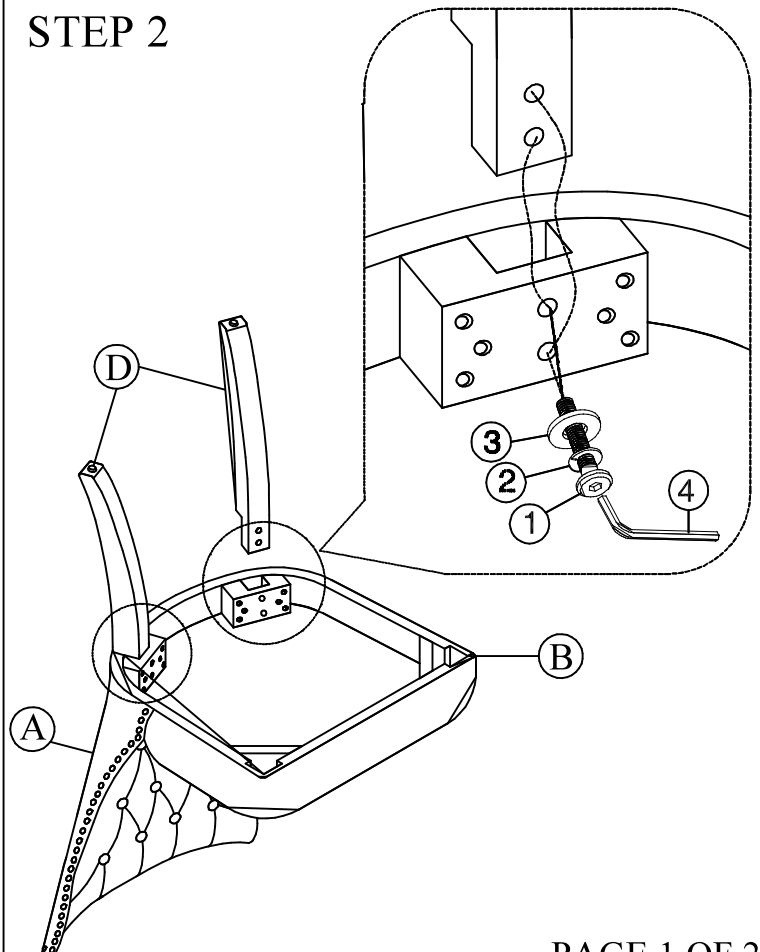
<p>A = 1pc CHAIR BACK</p> 	<p>B = 1pc FRAME WITH CUSHION SEAT</p> 	<p>C=2pcs FRONT LEG</p> 	<p>D=2pcs REAR LEG</p> 
--	---	--	---

No.	Description		Q.ty
1	BOLT ϕ 1/4" x 50mm		11PCS
2	LOCK WASHER		11PCS
3	FLAT WASHER		11PCS
4	ALLEN WRENCH		1pc

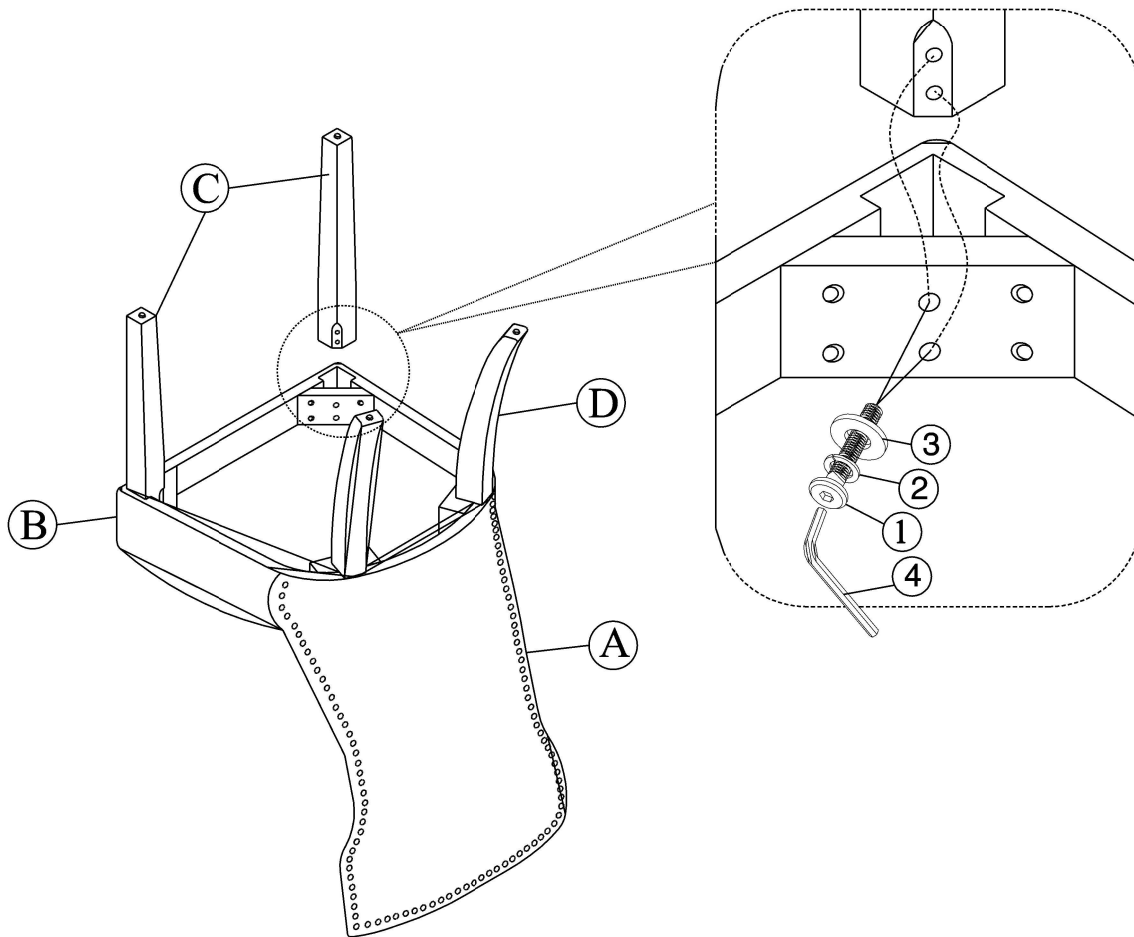
STEP 1



STEP 2



STEP 3



FINISH

