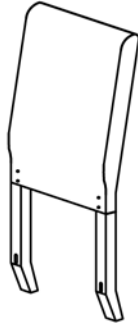


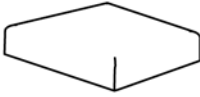
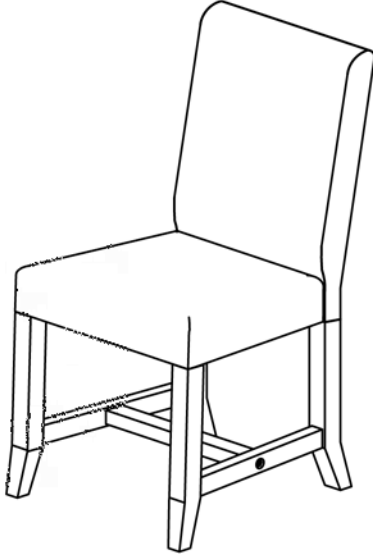















# CHAIR UPHOLSTERED ASSEMBLY INSTRUCTIONS

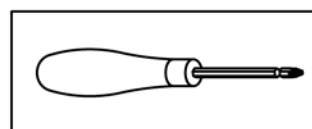
<p>A. BACK FRAME 1 PC</p> 	<p>F. LEFT STRETCHER 1 PC</p> 	<p>G. RIGHT STRETCHER 1 PC</p> 
<p>B. CHAIR FRAME 1 PC</p> 	<p style="text-align: center;"><u>YOSEMITE CHAIR UPHOLSTERED</u> ASSEMBLED</p> 	
<p>C. MIDDLE STRETCHER 1 PC</p> 		
<p>D. LEFT LEG 1 PC</p> 	<p>E. RIGHT LEG 1 PC</p> 	

## HARDWARE ARE PACKED IN BOX

<b>1</b>	THREAD BOLT M8 x 50 MM	02 PCS	<b>2</b>	ALLEN BOLT M6 x 50 MM	04 PCS	<b>3</b>	ALLEN BOLT M6 x 70 MM	04 PCS	<b>4</b>	SPRING WASHER M9	08 PCS	<b>5</b>	WASHER M6	08 PCS	
															
<b>6</b>	ALLEN KEY (4MM)	01 PC	<b>7</b>	SCREW M4 x 40 MM	04 PCS	<b>8</b>	HEXAGON NUTS M8	02 PCS	<b>9</b>	WASHER M8	02 PCS	<b>10</b>	M8	01 PC	
															

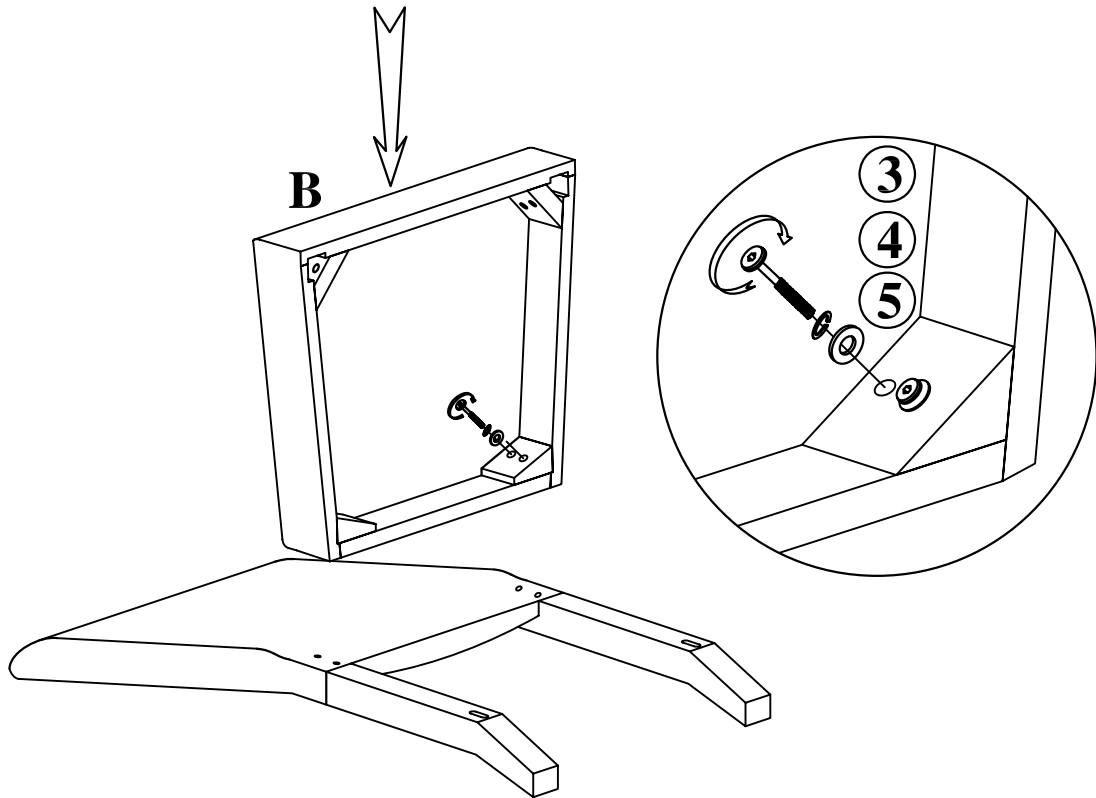
### TOOL REQUIRED

PHILLS HEAD SCREW  
DRIVER NOT PROVIDED



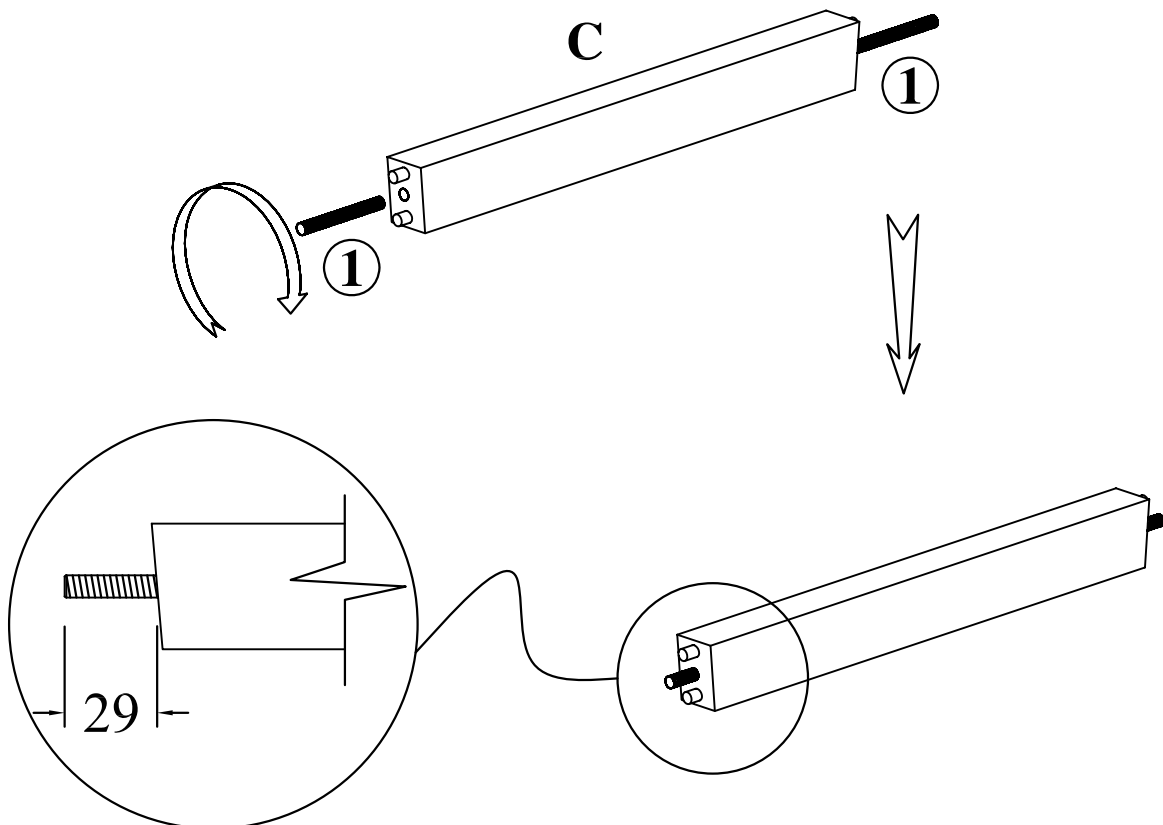
**STEP 1:**

Attach frame (B) to back frame (A) by bolts (2), spring washers (4) and washers (5).



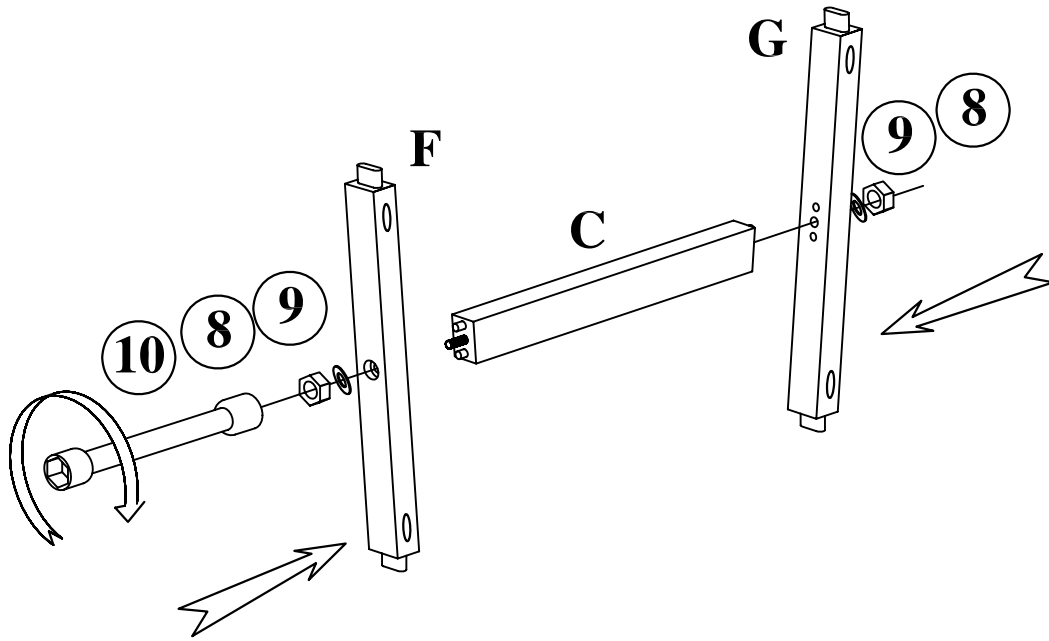
**STEP 2:**

Attach 2 thread bolts (1) to middle stretcher (C).



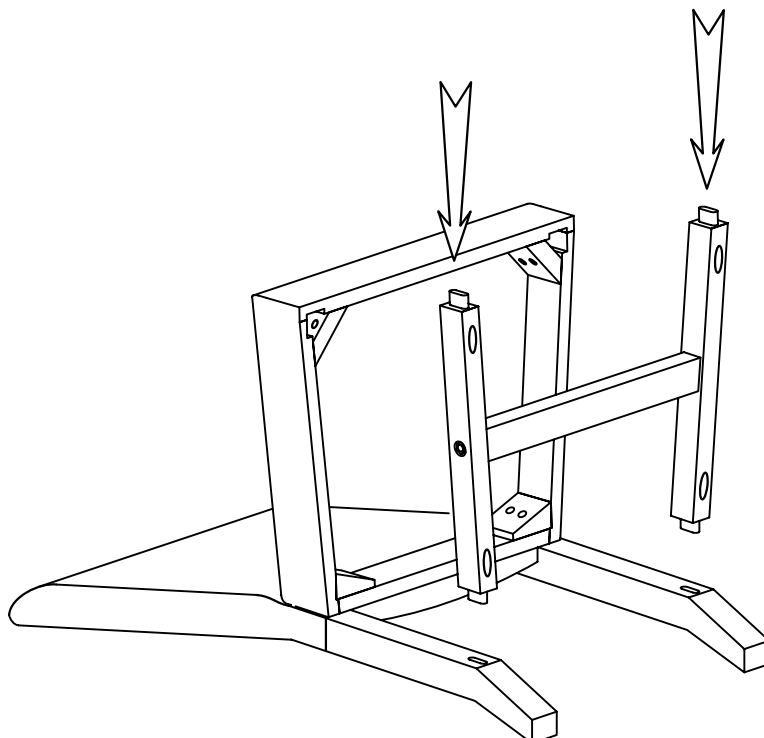
**STEP 3:**

Fix 2 stretchers (F,G) to middle stretcher (C) by hexagon nuts (8) and washer (9)



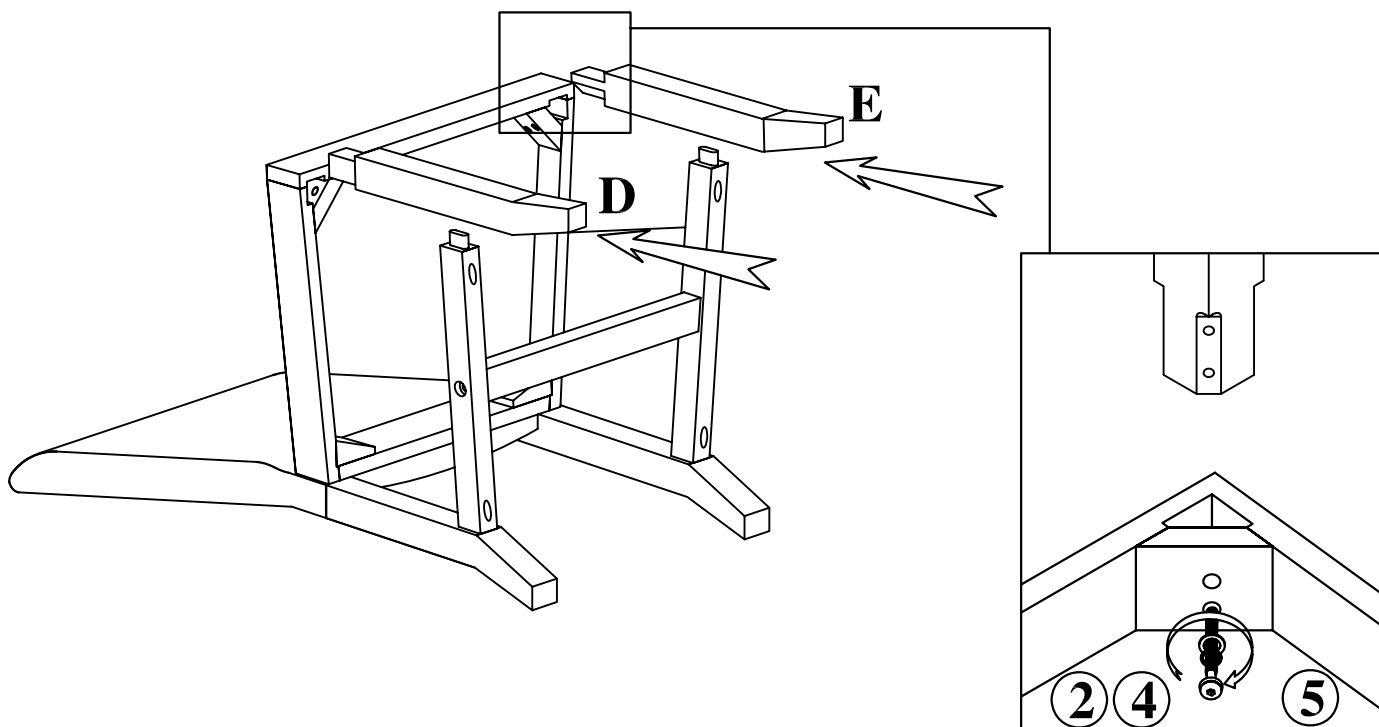
**STEP 4:**

Connect middle stretchers to back frame .



**STEP 5:**

Insert 2 legs (D,E). They are fixed by bolt (2) washer (4) and spring washer (5)



**STEP 6:**

Fix middle stretcher again by screw (7).  
Assembly complete

