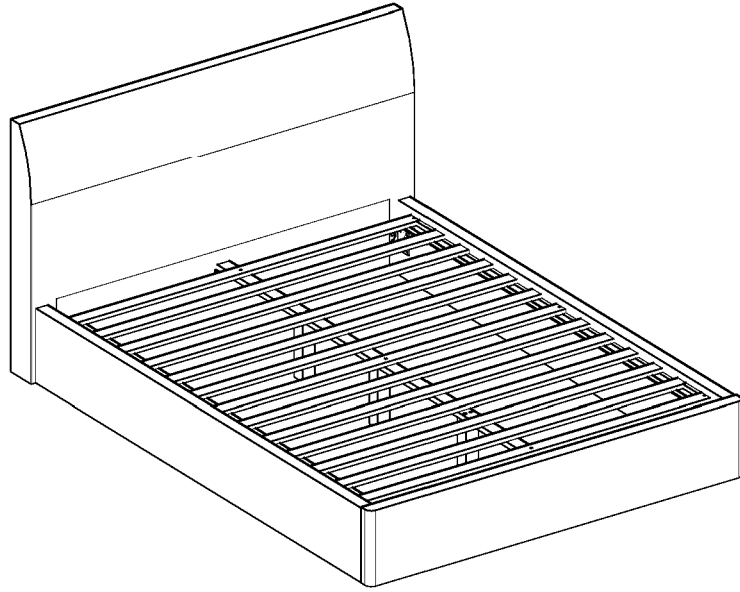
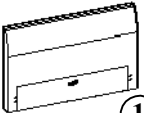




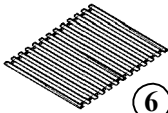





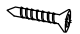
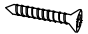
# ASSEMBLY INSTRUCTIONS



## COMPONENT

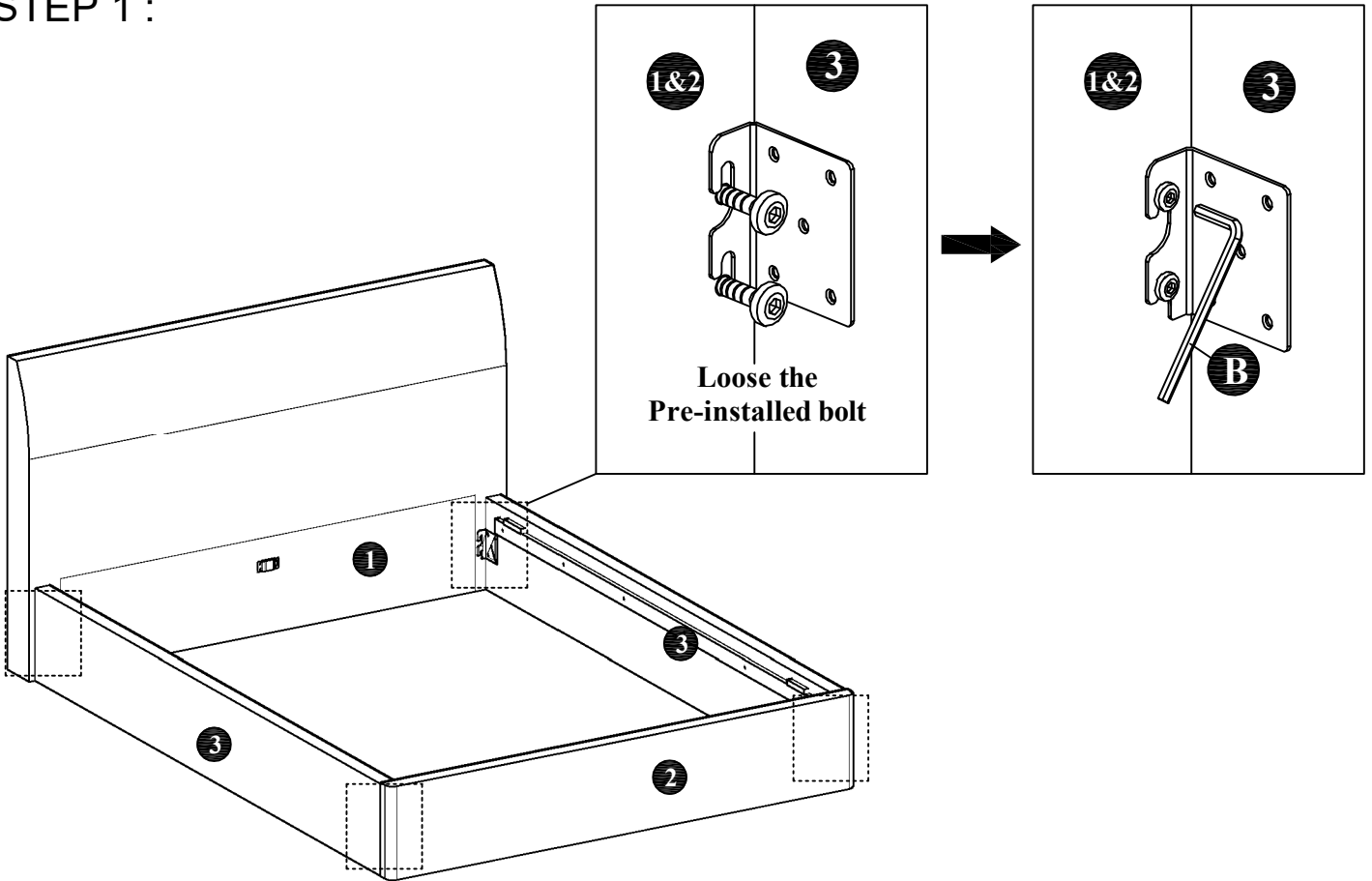
|  |  |   |   |  |   |
|--|--|---|---|--|---|
| Headboard<br>- 1 pc.<br><br>① | Footboard<br>- 1 pc.<br><br>② | Side Rail<br>- 2 pcs.<br><br>③ | Center Rail<br>- 1 pc.<br><br>④ | Center Leg<br>- 3 pcs.<br><br>⑤ | Slats<br>- 13 pcs.(1set)<br><br>⑥ |
|--|--|---|---|--|---|

## HARDWARE

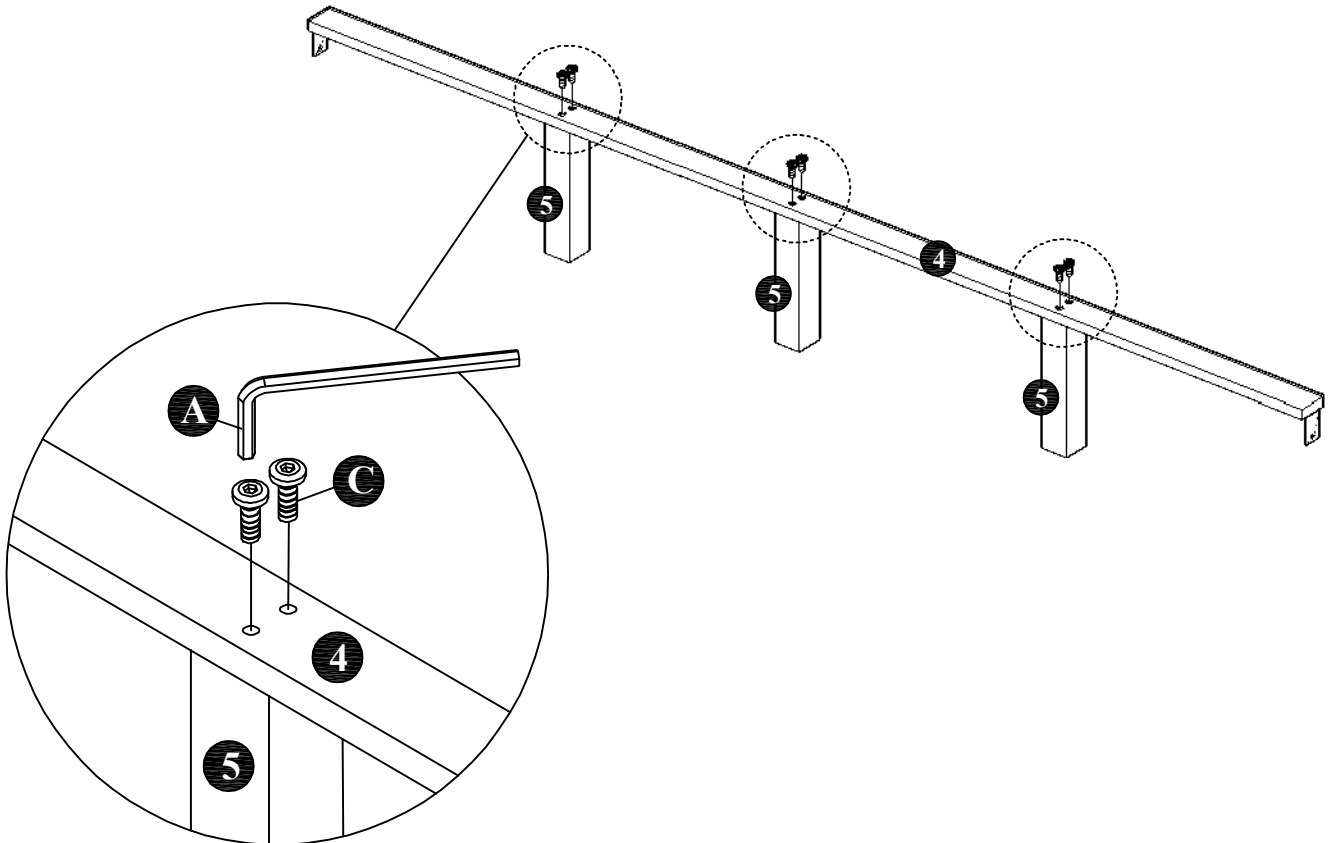
|  |   |  |   |   |
|--|---|--|---|---|
| Allen Key M4<br>- 1 pc.<br><br>A | Allen Key M5<br>- 1 pc.<br><br>B | JCBC Bolt<br>M6 x 40mm<br>- 6 pcs.<br><br>C | Wood Screw<br>M4 x 20mm<br>- 2 pcs.<br><br>D | Wood Screw<br>M4 x 25mm<br>- 9 pcs.<br><br>E |
|--|---|--|---|---|

# ASSEMBLY INSTRUCTIONS

## STEP 1 :

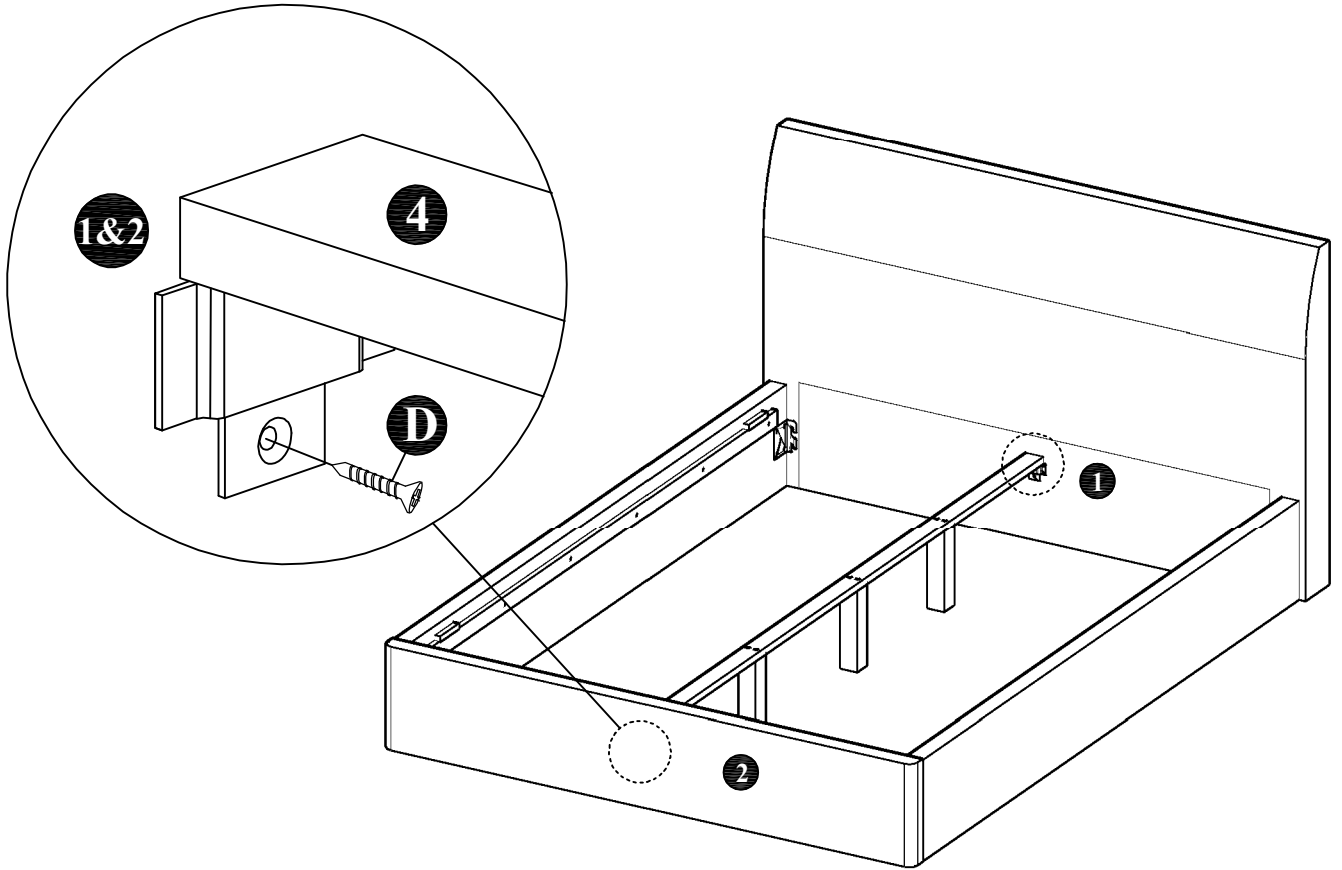


## STEP 2 :

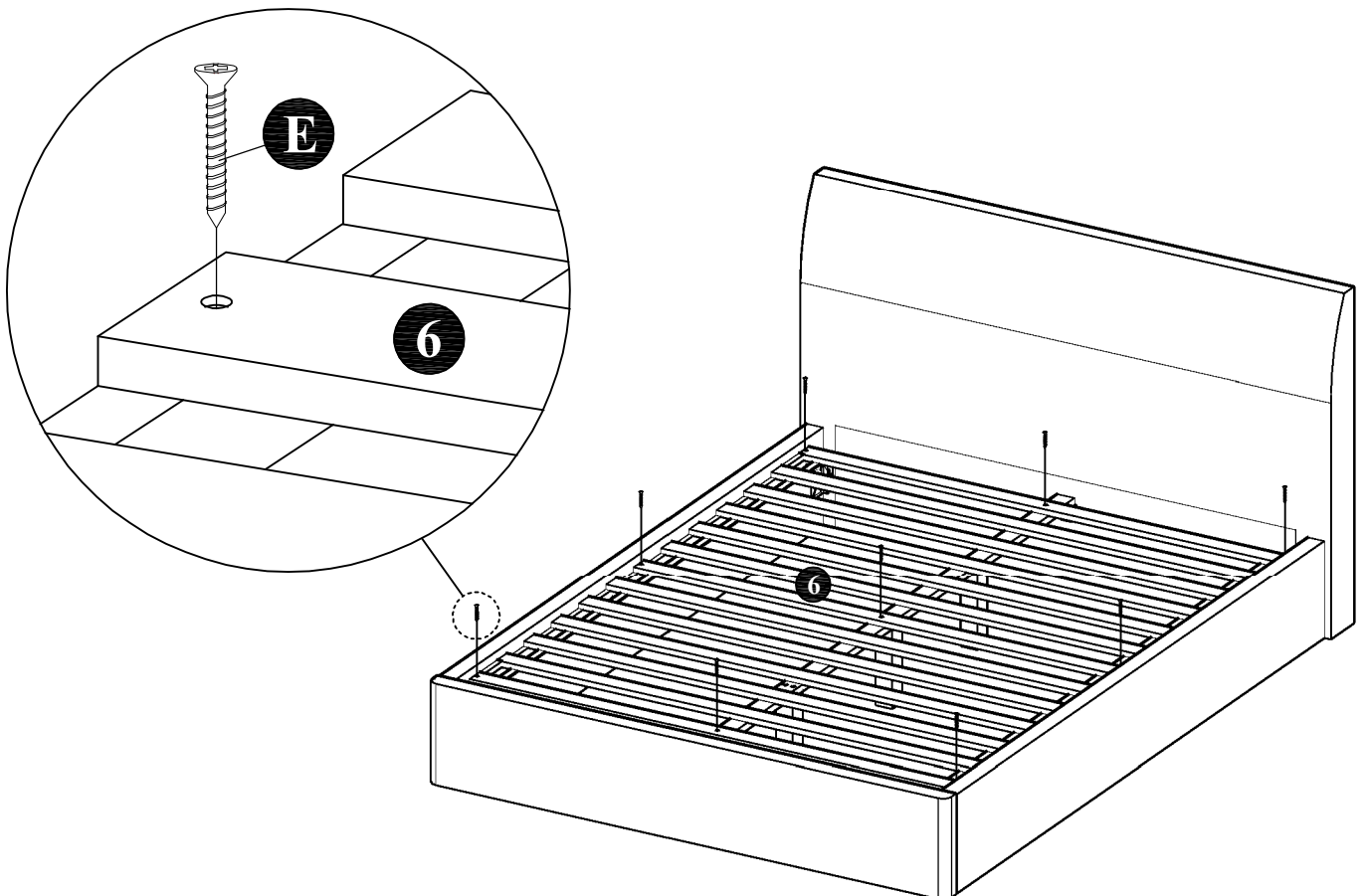


# ASSEMBLY INSTRUCTIONS

STEP 3 :



STEP 4 :



# ASSEMBLY INSTRUCTIONS

## **COMPLETE VIEW**

**\*IMPORTANT\***

Please lift up the bed to move  
with 2 or more people.

**DO NOT DRAG THE BED!**

