

INSTALLATION INSTRUCTIONS



Assembly of Lighting Fixture

1. Select color temperature
2. Assemble Hex Nut(D), Washer(E), Lens(F), Decorative Plate(G) and Decorative Screw(H) in the order shown in Fig.1.
3. Push the Light Module(B) into Frame(C) (See Fig.2 and Fig.3).then secure with Decorative Screw(DD) until snug(See Fig.4).

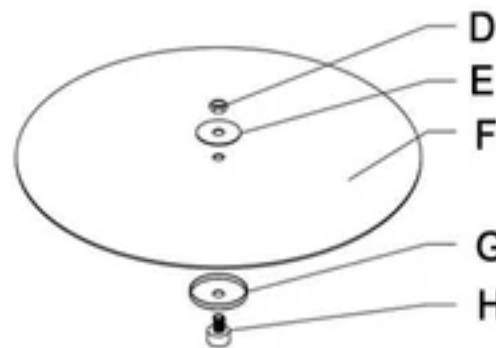


Fig. 1

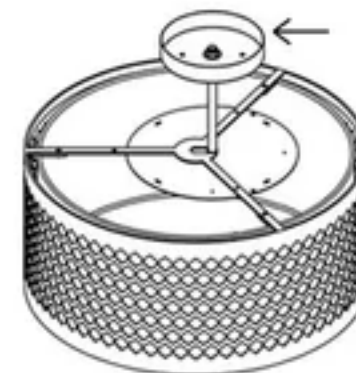


Fig. 2

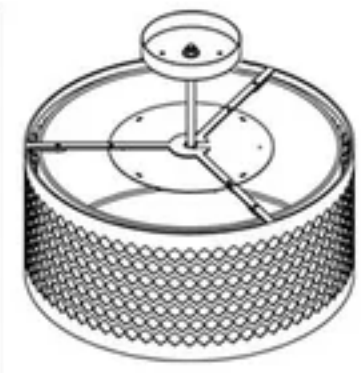


Fig. 3

Mounting the Fixture

1. Fasten Butterfly(EE) to the Outlet Box(A) with two Outlet Box Screws(BB) & "GND" on side of Butterfly(EE) should be faced out.
2. Connect the wires as wiring instructions (See Wiring Diagram).
3. Push the Canopy(A) over the Outlet Box(I), Mounting Screws(J) will protrude through the mounting holes on Canopy(A), then secure with Mounting Nut(CC) until snug.
4. Push the assembled Lens(K) into the Frame(C) and lay it flat(See Fig.6).

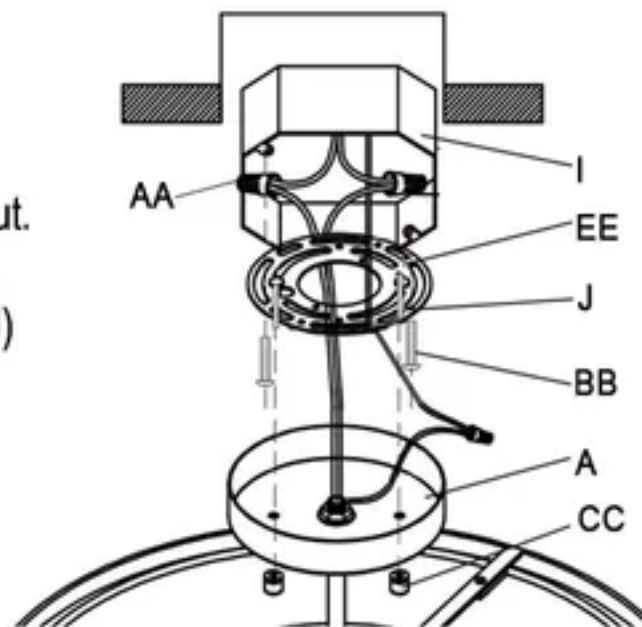


Fig. 5

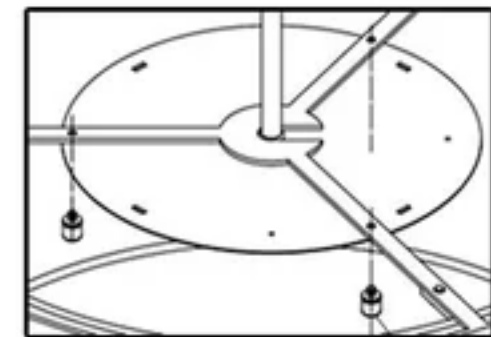



Fig. 4

Wiring Diagram

 **NOTE:** If you have electrical questions, consult your local electrical code for approved grounding methods

1. Connect your grounding wire (Green or Bare copper) from Fixture to grounding wire on outlet box or to the green ground screw on the crossbar.
2. Connect the House White Wire to the fixture White Supply Wire: connect House Black (or Red) Wire to the Fixture Black Supply Wire.
3. Make sure no bare wires can be seen outside of the wire connector.
4. Tuck the wires into outlet box carefully.

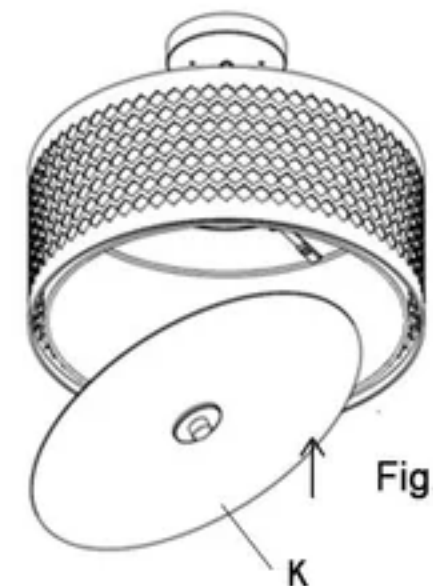
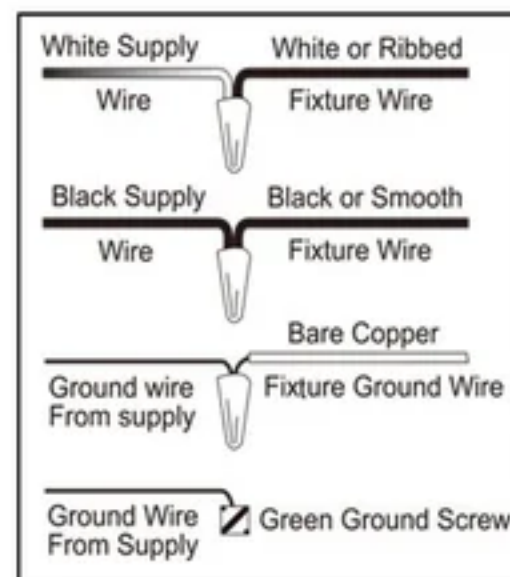


Fig. 6