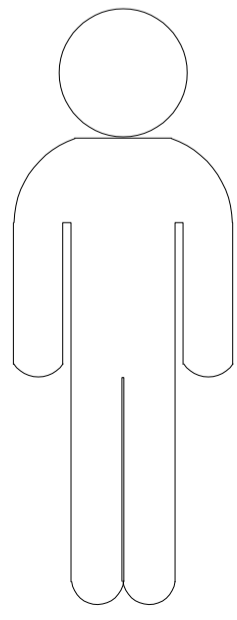
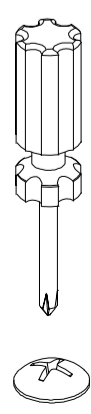
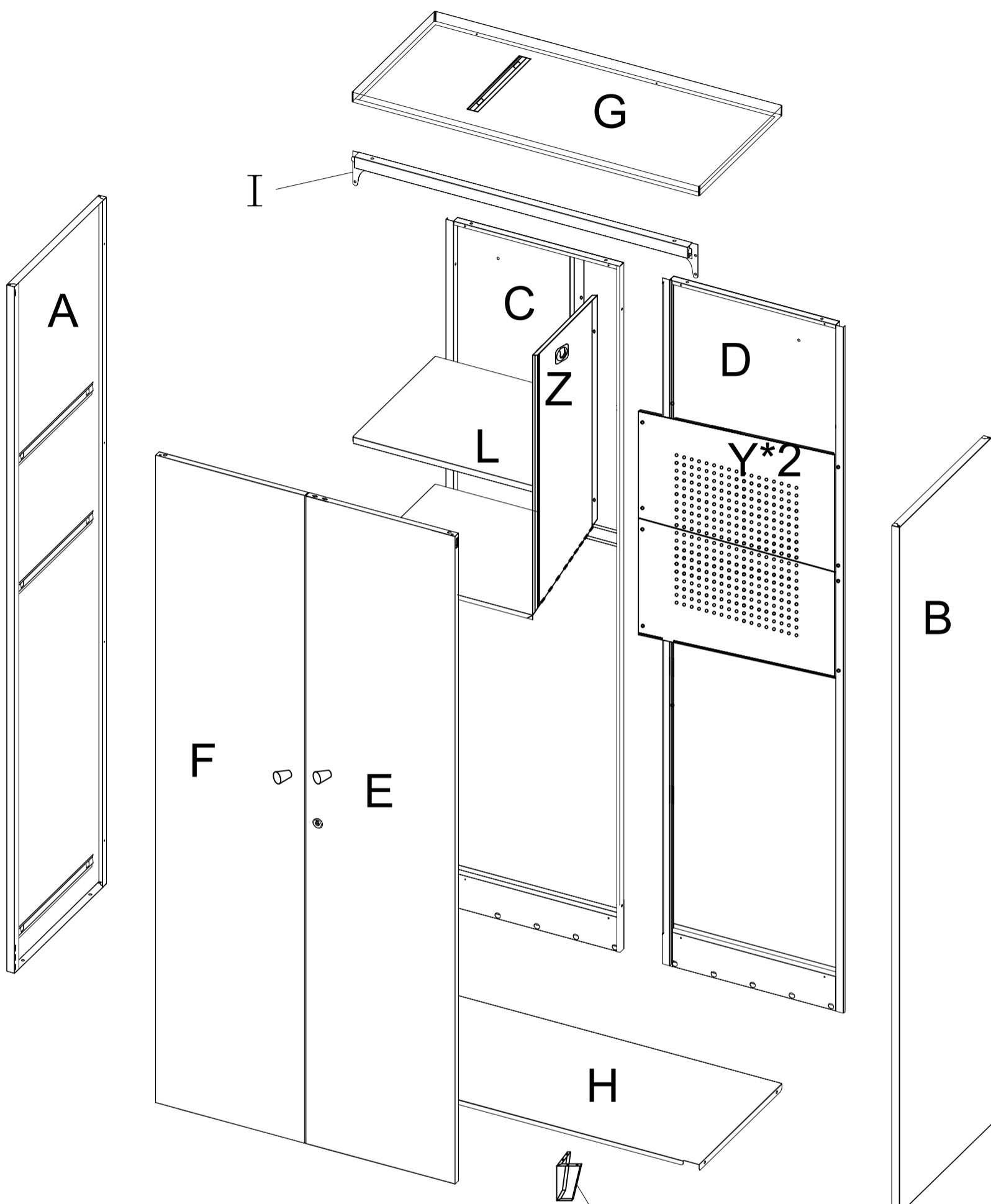
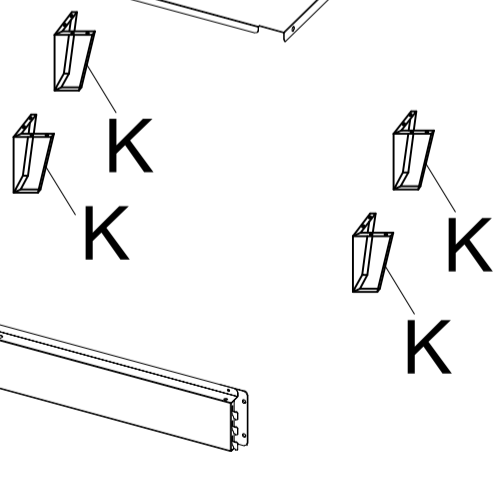


Please scan the QR code to
check the assembly video

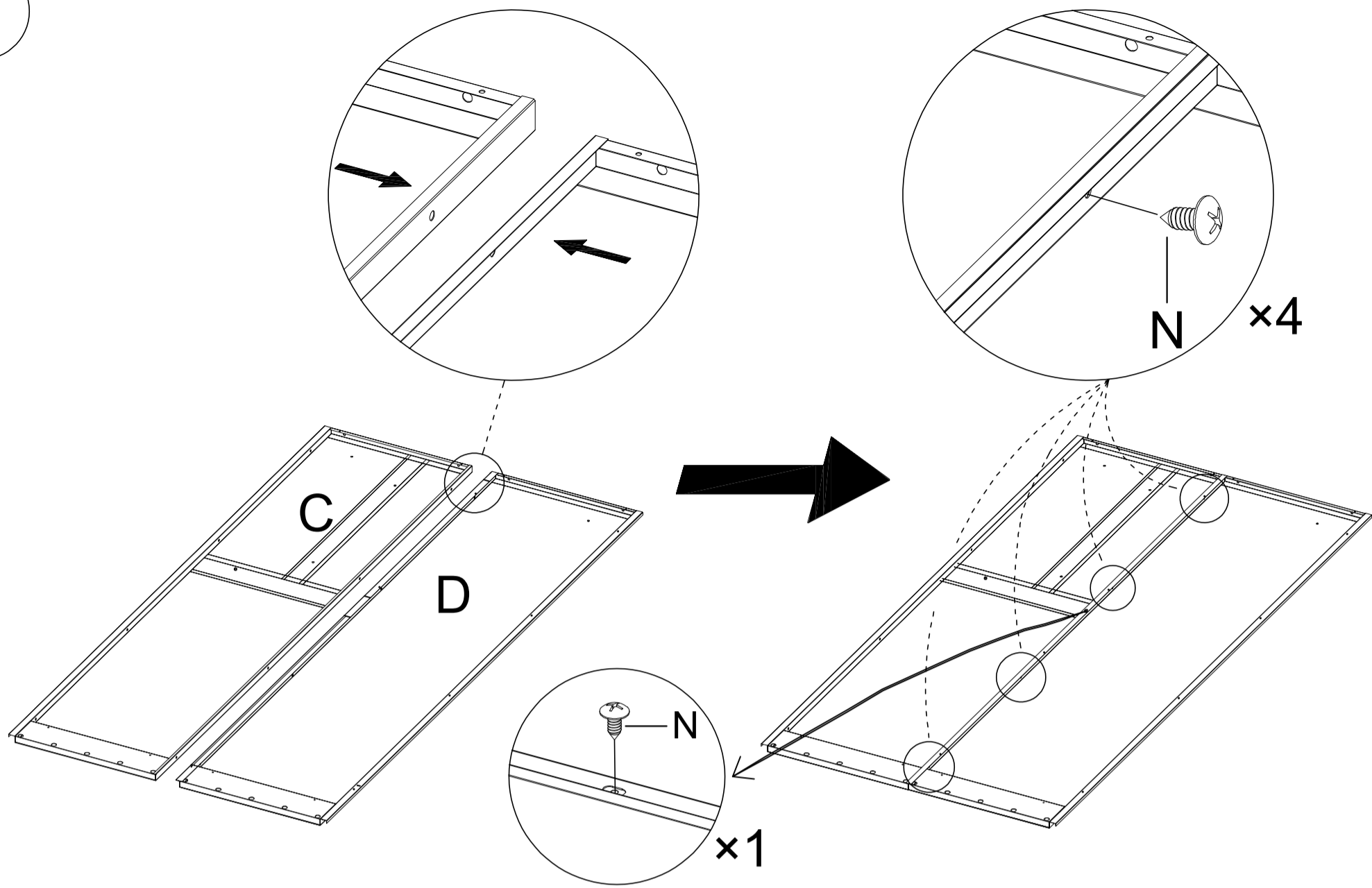
Z×1 	A×1 	B×1 	C×1 	D×1 				
Y×2 	E×1 	F×1 	G×1 	H×1 				
W×1 	P×3 	I×1 	J×1 	K×4 	L×1 			
X×2 	V×4 V1 V2	M×10 	Q×2 Q1 Q2	N×60 	R×2 	S×4 	T×2 	U×2 Standby Application



x2



1



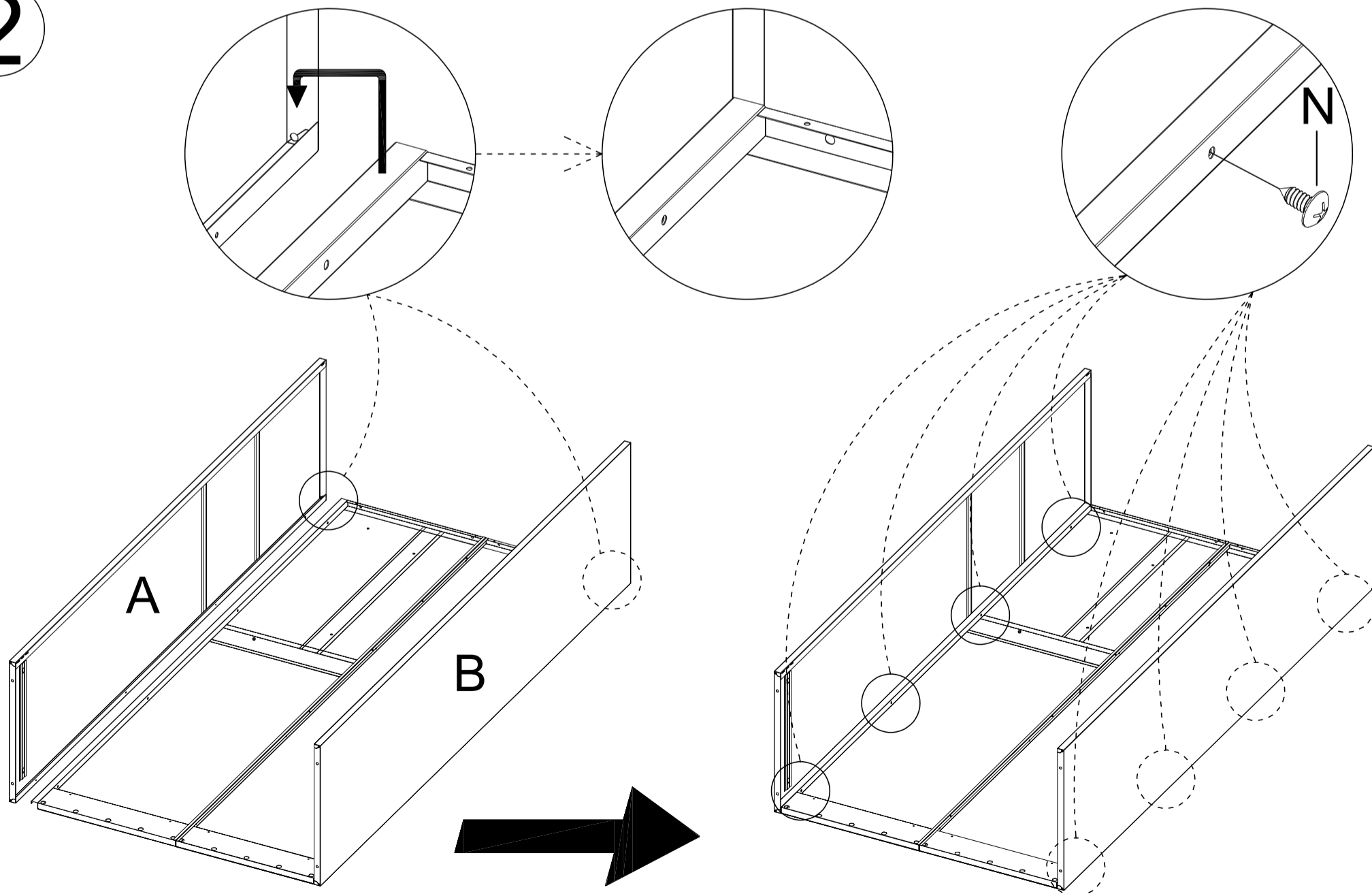
1.Assemble C and D, secure with screw N.

Cx1

Dx1

Nx5

2



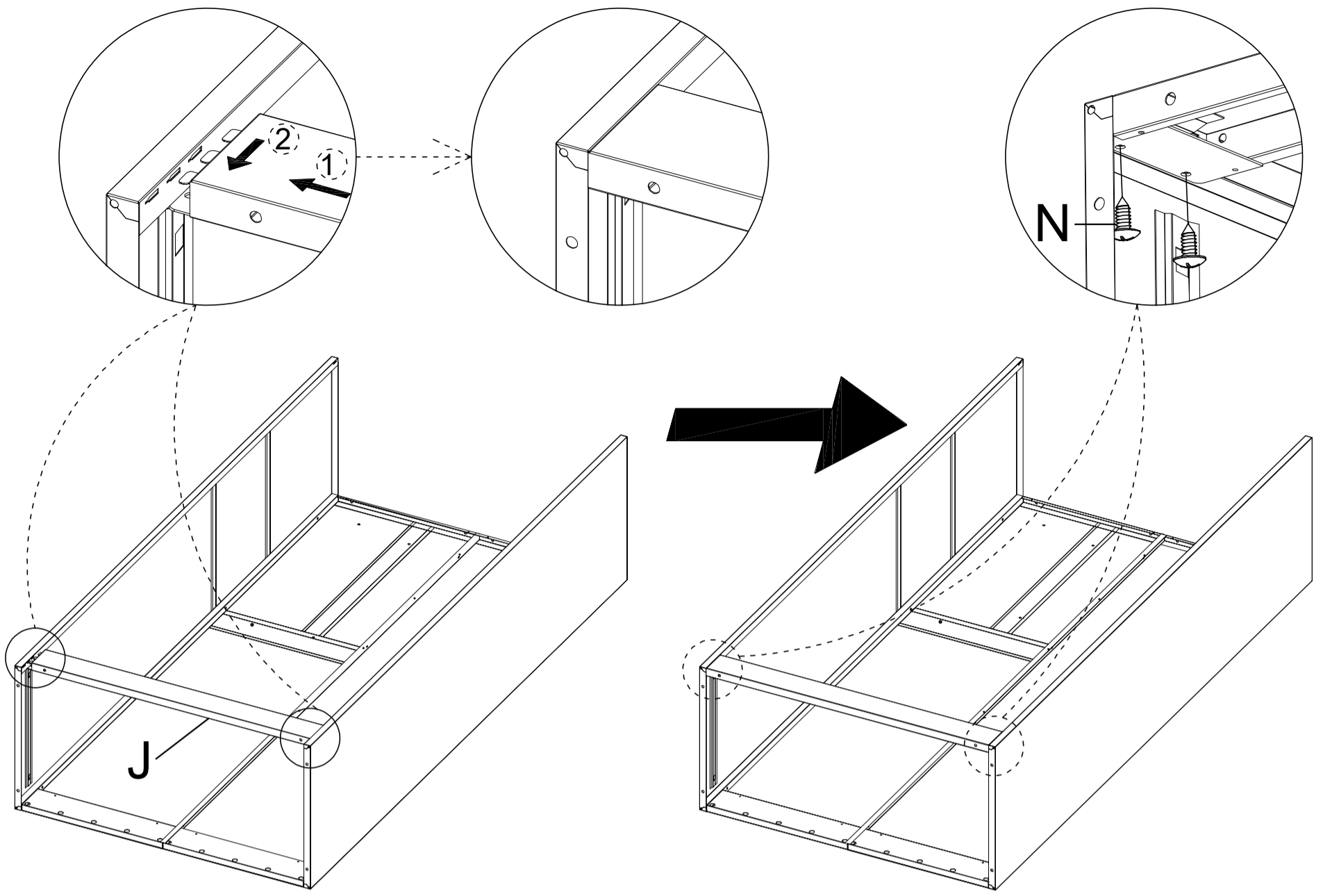
2.Assemble A and B, secure with screw N.

Ax1

Bx1

Nx8

3

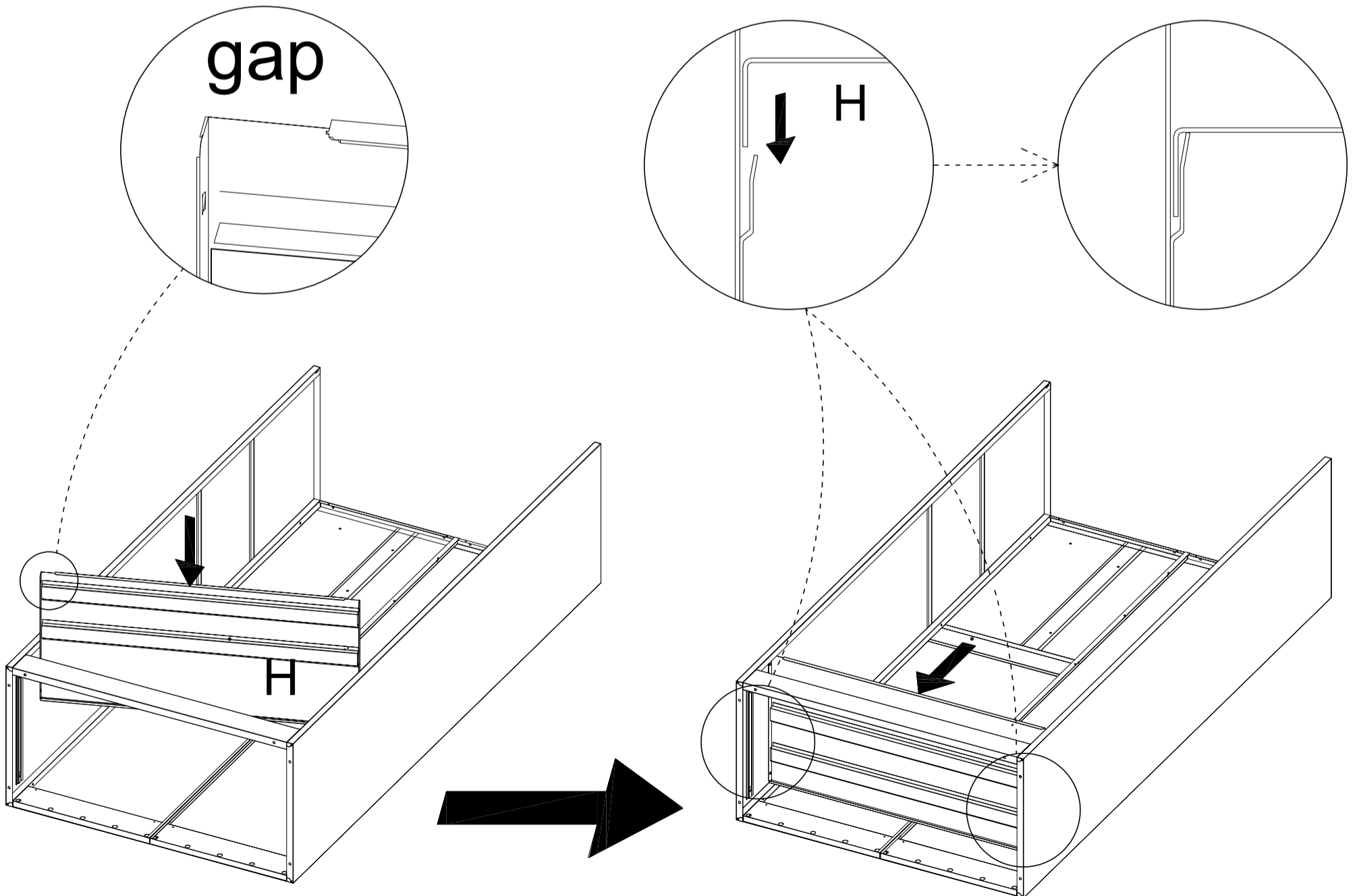


3. Install J, secure with screw N.

J×1

N×4

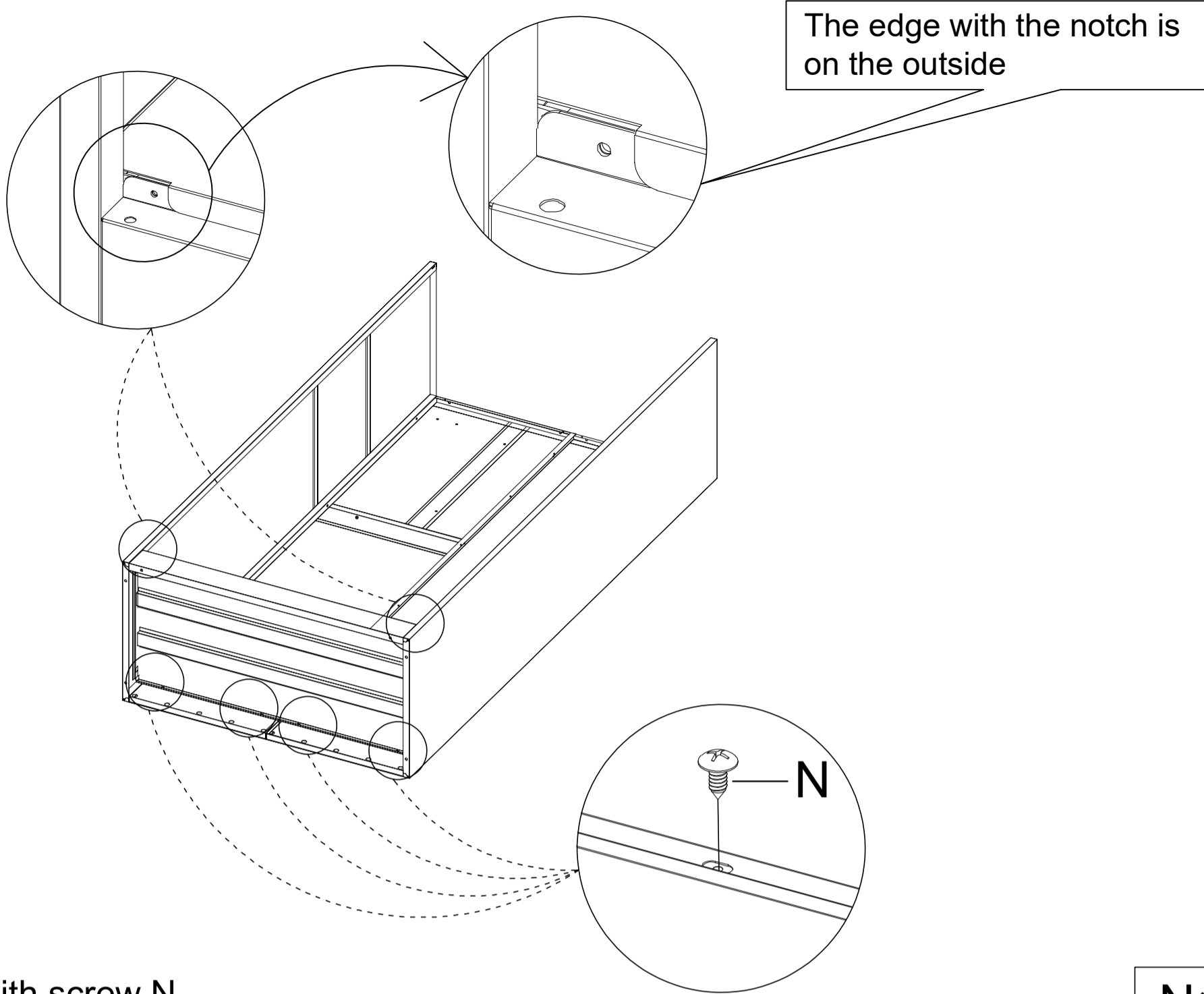
4



4. Install H

H×1

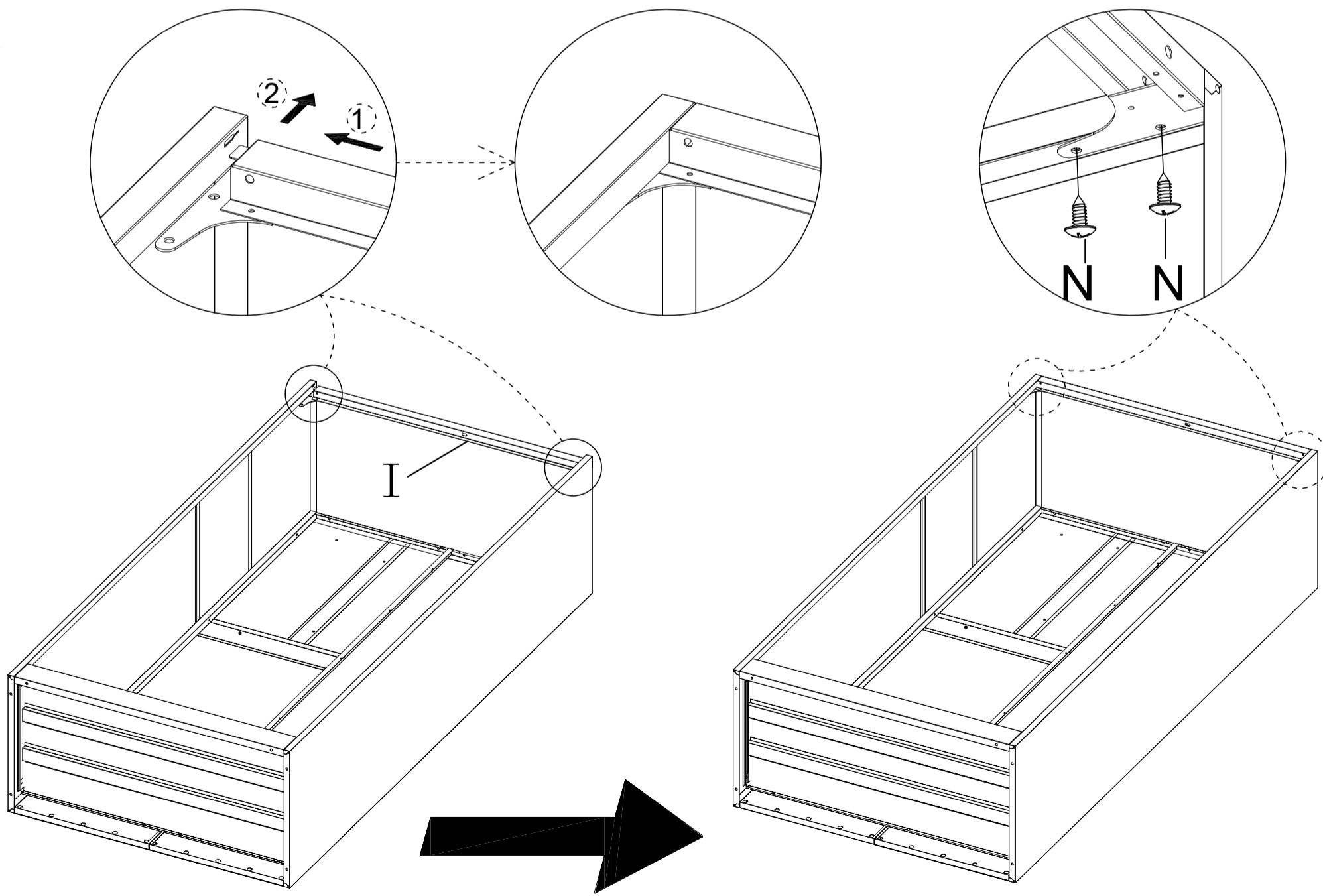
5



5. Secure with screw N.

N×4

6

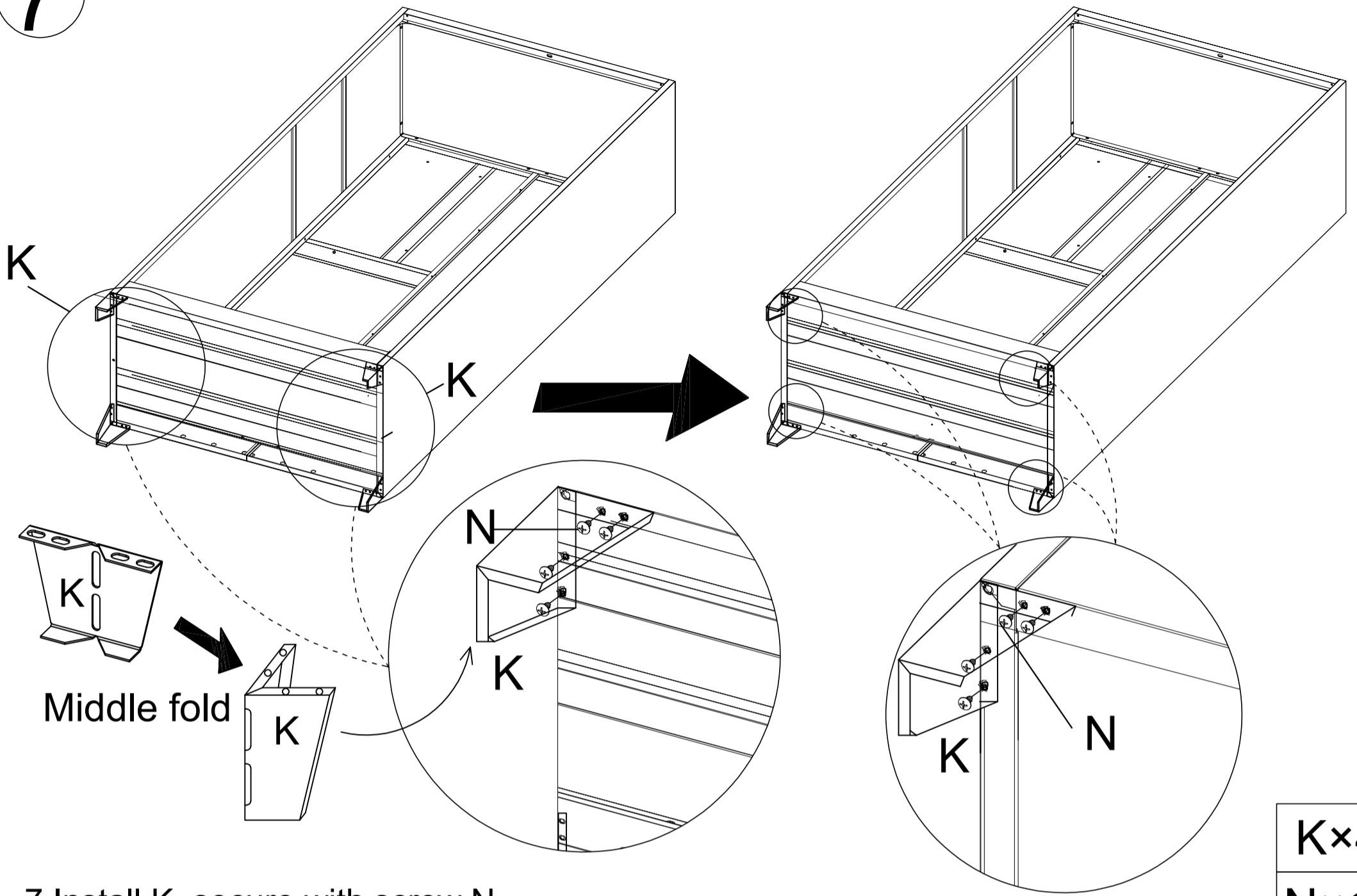


6. Install I, secure with screw N.

I×1

N×4

7

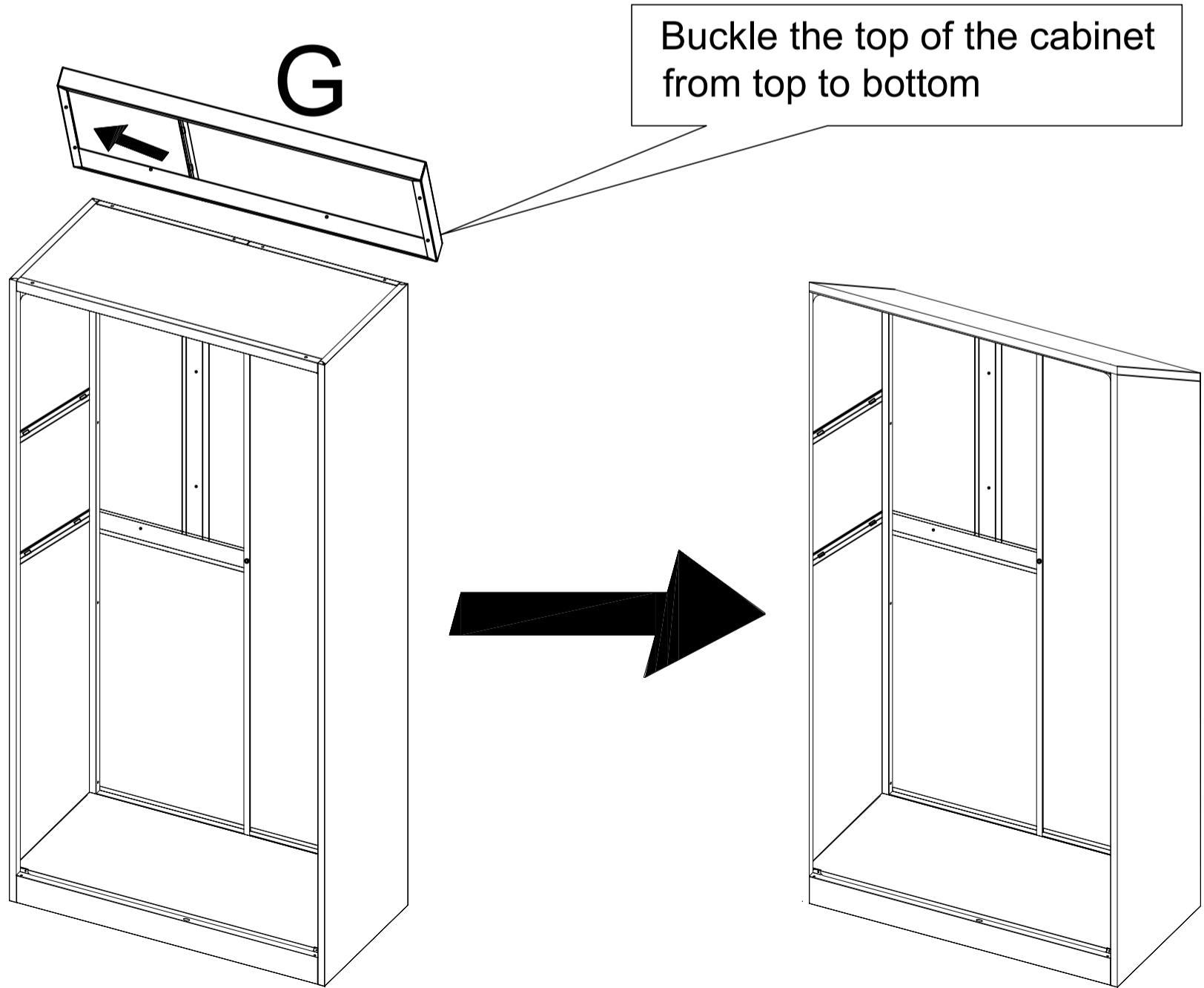


7. Install K, secure with screw N.

K×4

N×16

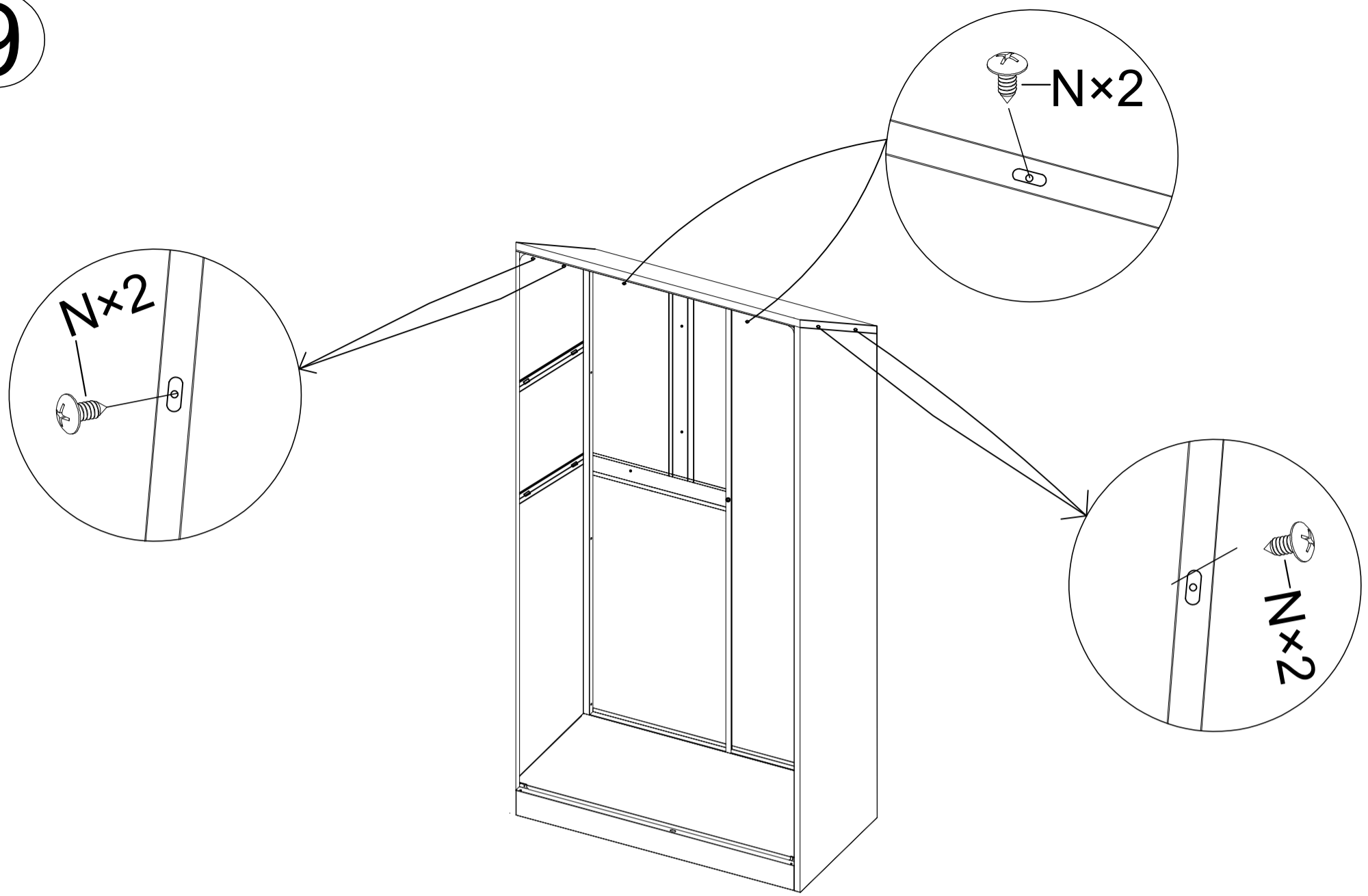
8



8. Install G

G×1

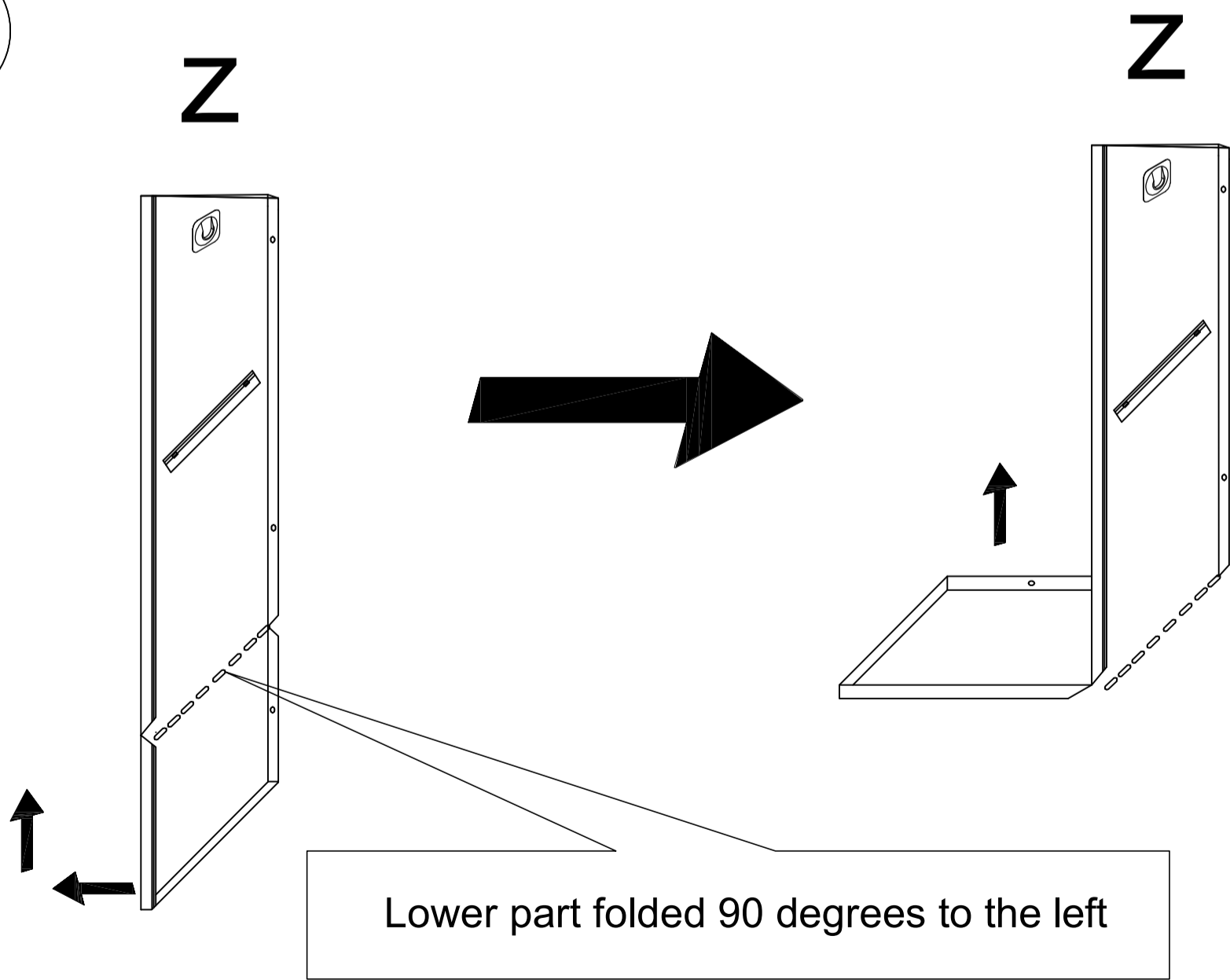
9



9. Secure with screw N.

N x 6

10



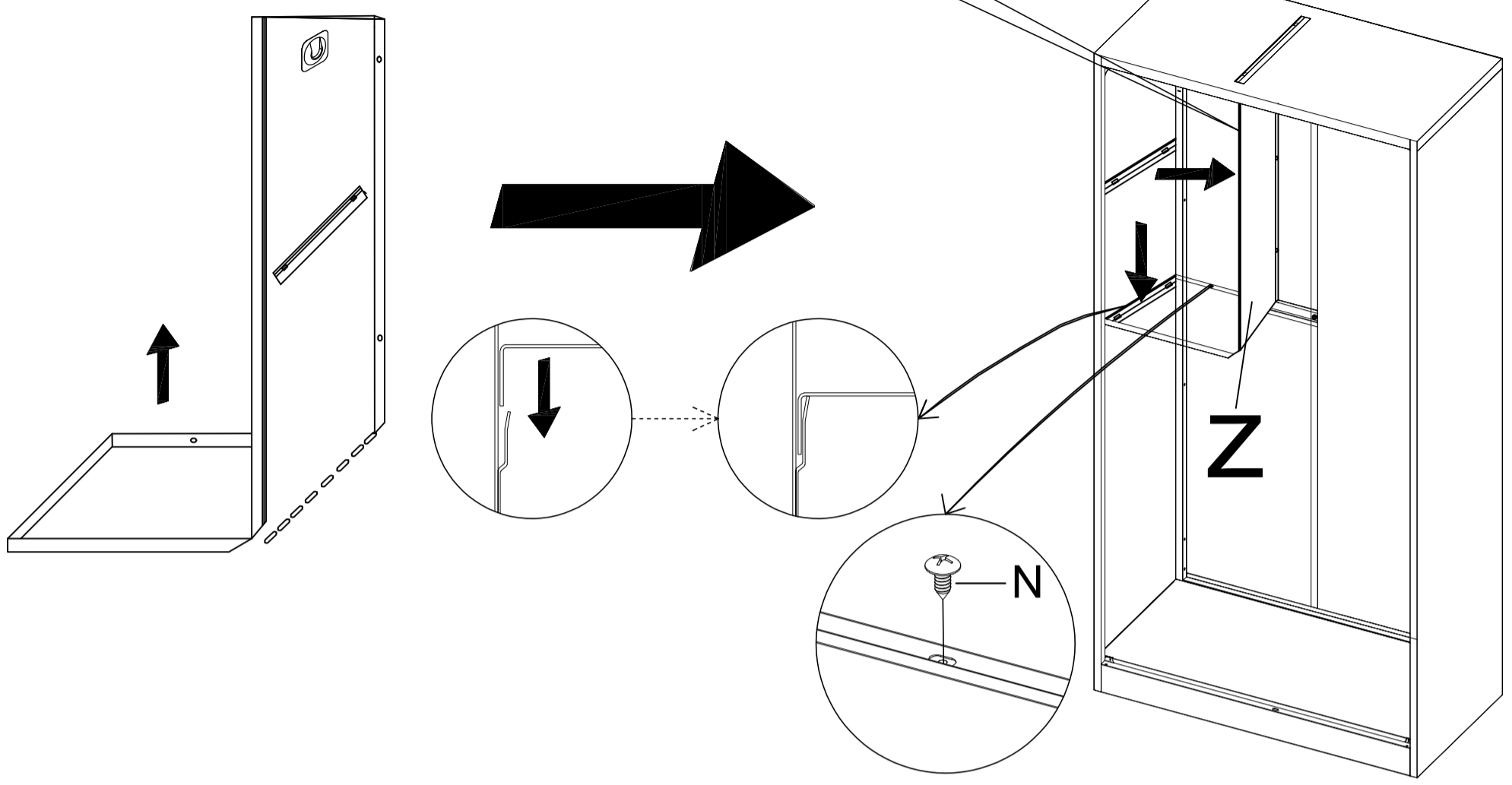
10. Adjustment Z

Z x 1

11

Install from left to right
Install from top to bottom

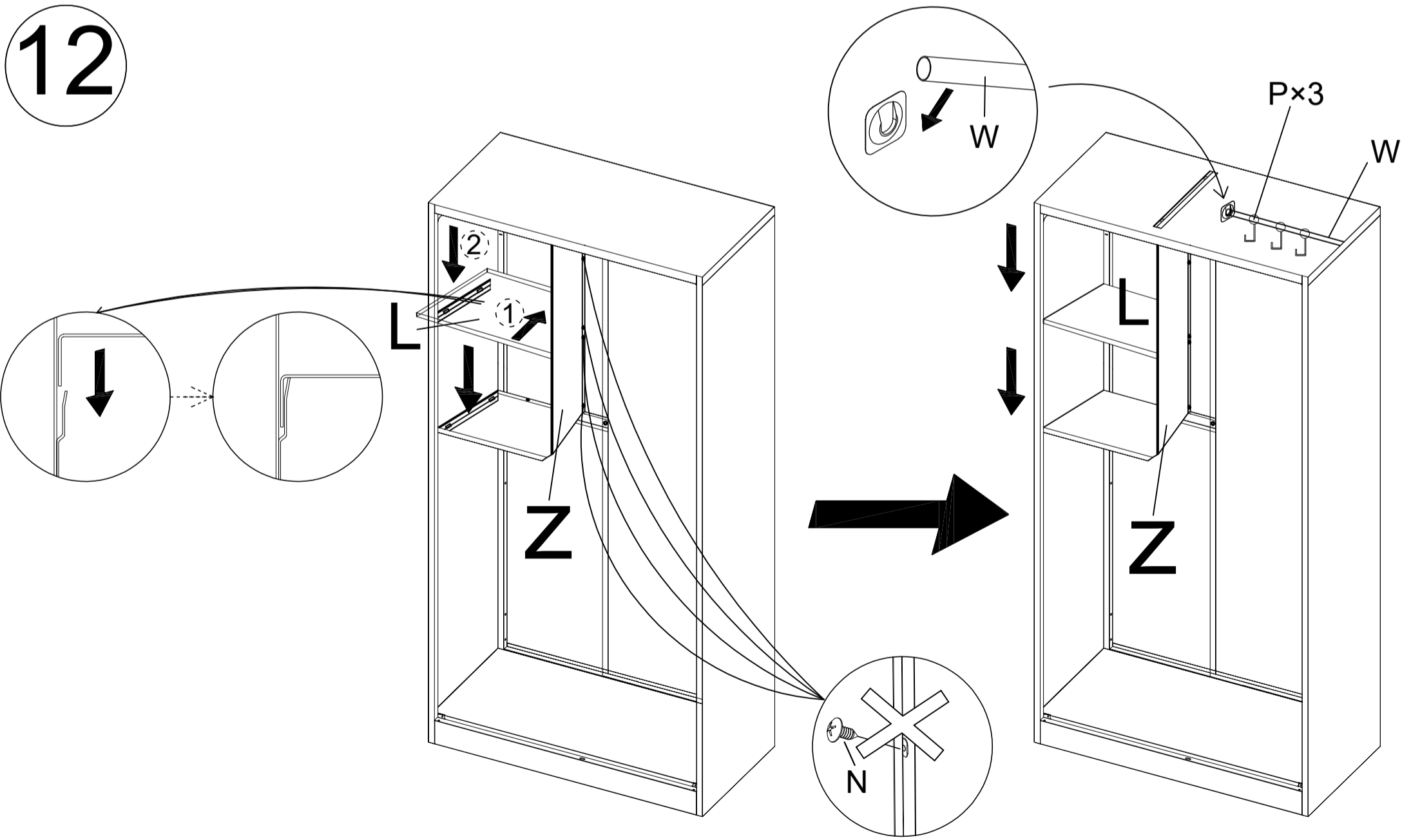
Z



11. Install Z, secure with screw N.

N×1	Z×1
-----	-----

12



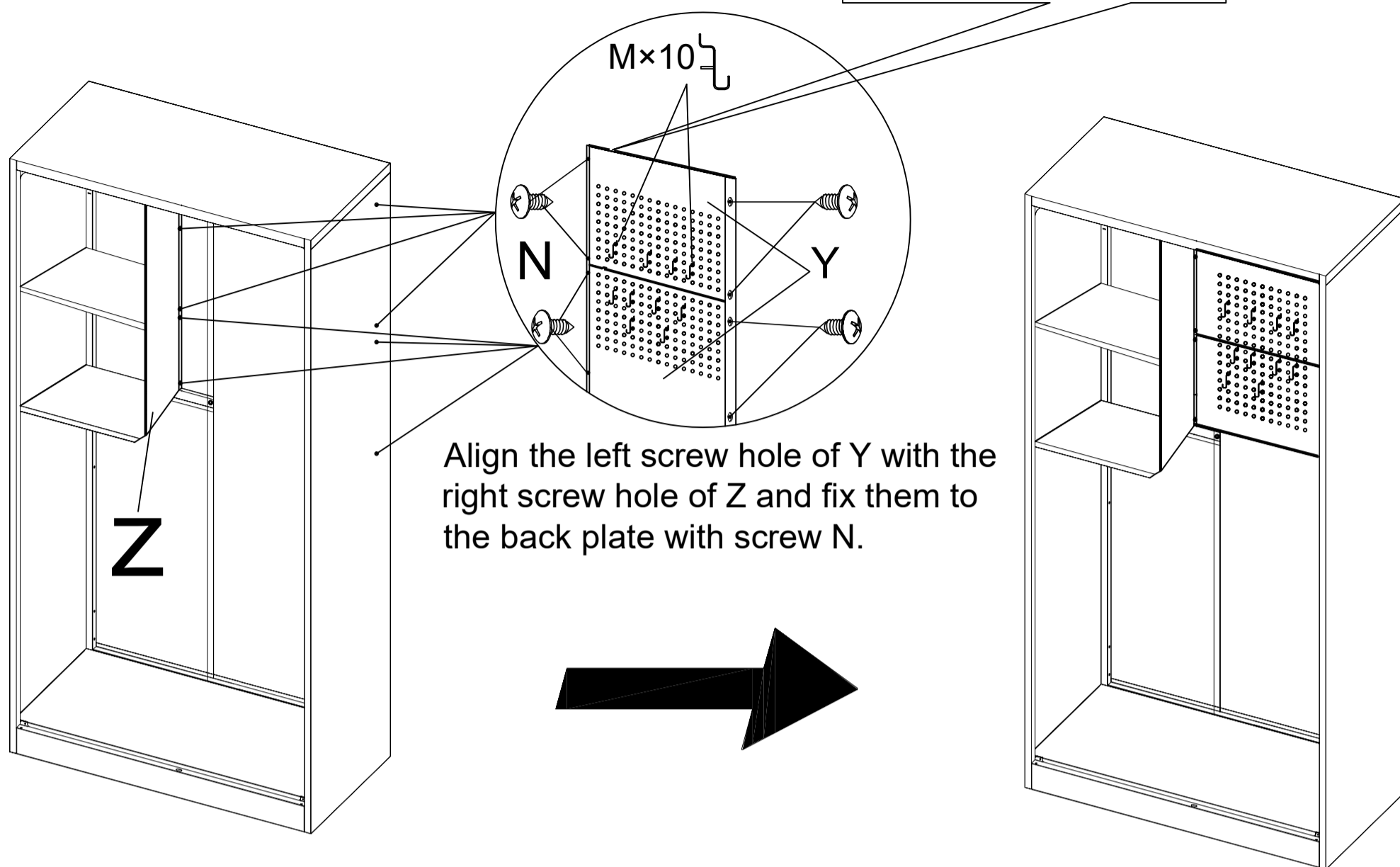
Do not install the screw N on the right side of Z yet.

12. Install L. Install P and W

W×1	P×3	L×1
-----	-----	-----

13

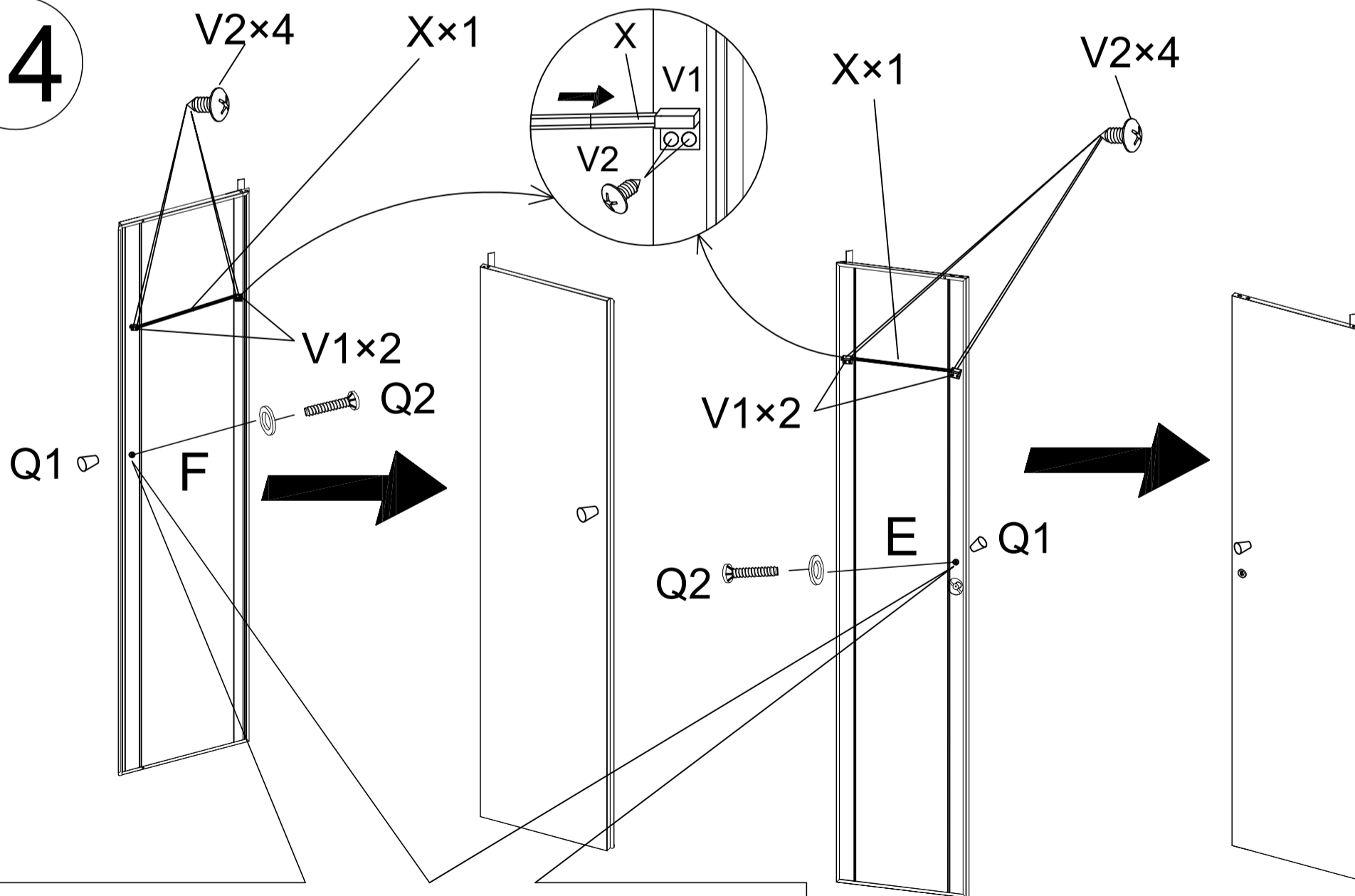
The gap is the left install



13.Install Y, secure with screw N.

Y×2	M×10	N×8
-----	------	-----

14



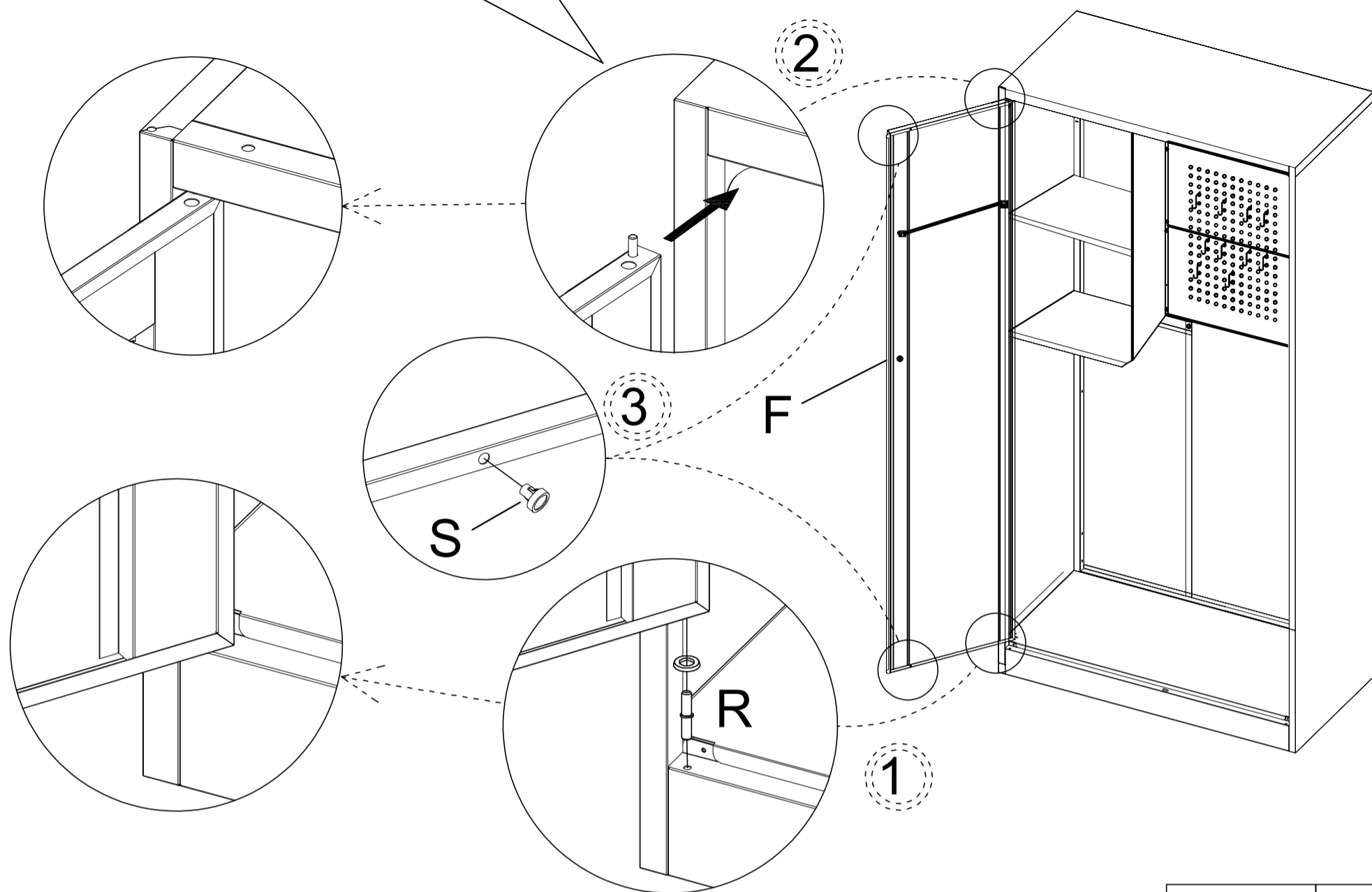
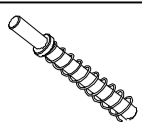
Screw through door hole and handle connection

14.Assemble E, F, V and X.

V1×4	V2×8	E×1	F×1
------	------	-----	-----

15

If the spring shaft is lost, spare parts U can be used.



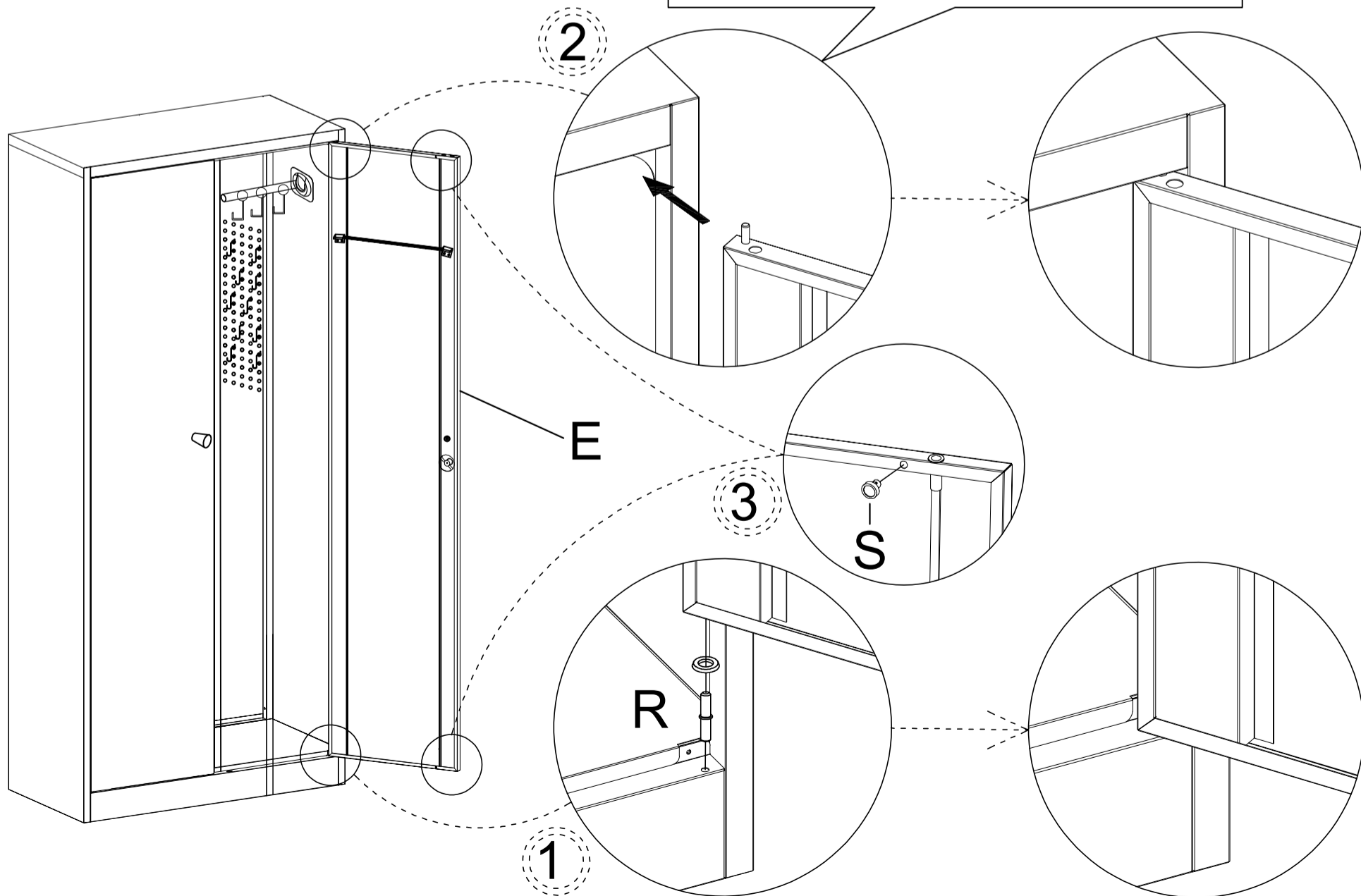
15. Install F

R×1

S×2

16

If the spring shaft is lost, spare parts U can be used.

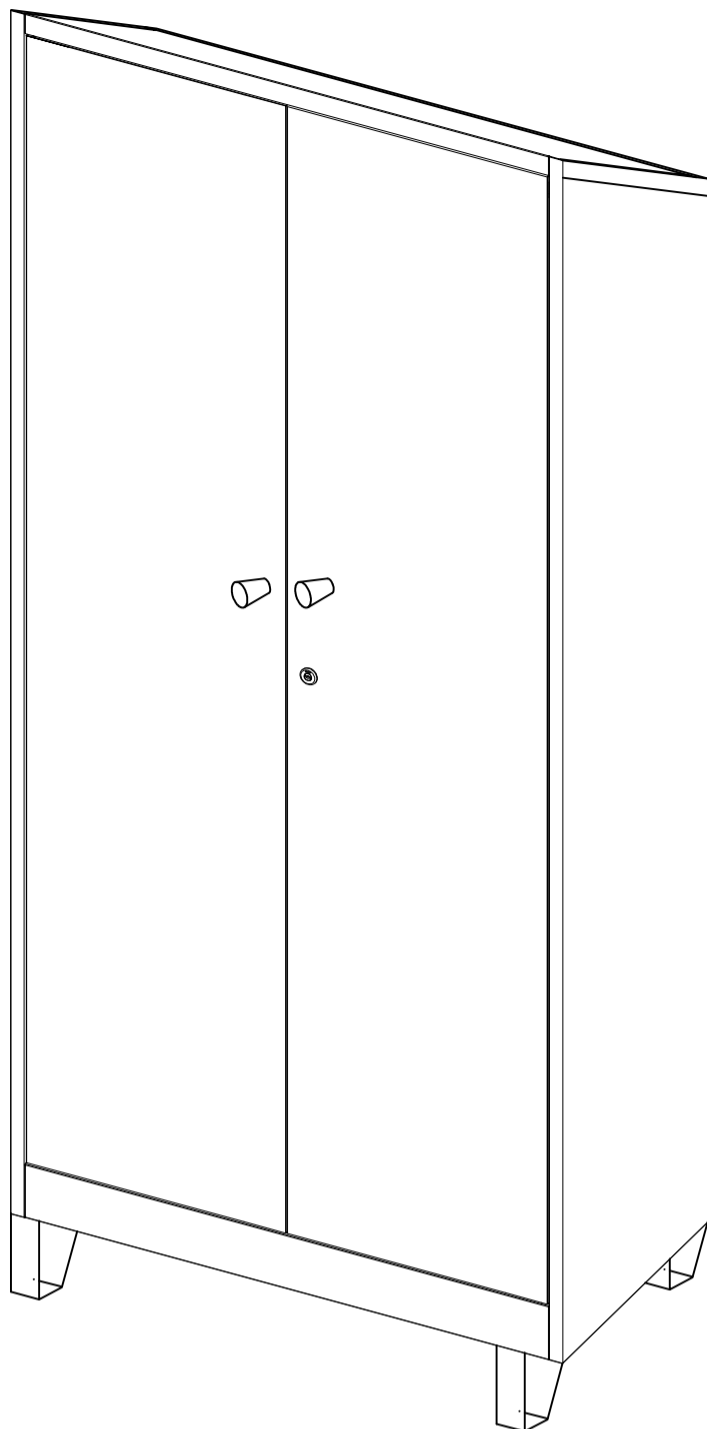


16. Install E

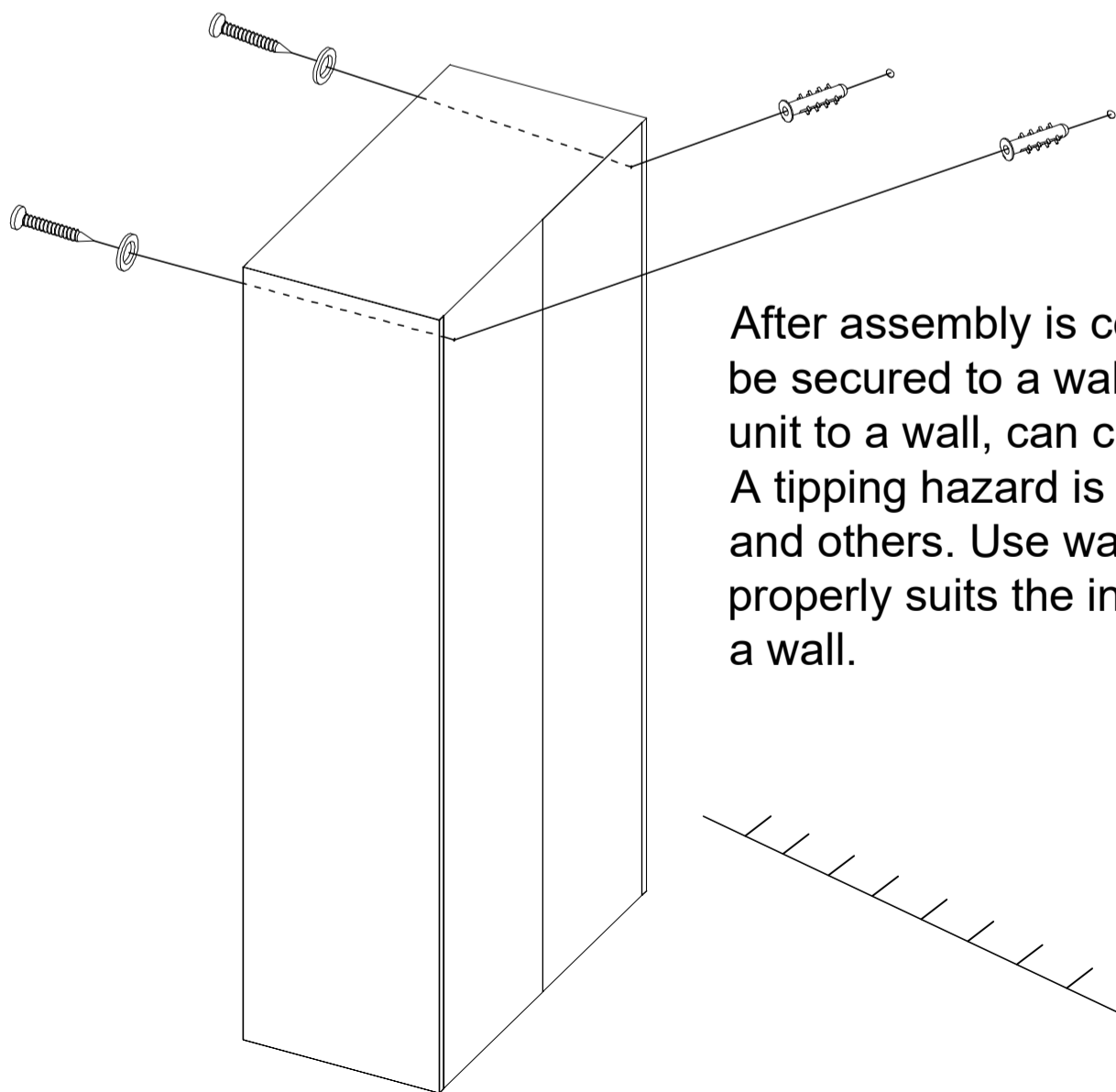
R×1

S×2

17



18



After assembly is completed, The unit must be secured to a wall failure to mount the unit to a wall, can create a tipping hazard. A tipping hazard is dangerous to yourself and others. Use wall anchor hardware that properly suits the installation of this unit to a wall.

