

ASSEMBLY INSTRUCTIONS

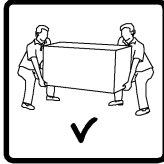
ASSEMBLY TIPS:

1. Remove hardware from box and sort by size.
2. Please check to see that all hardware and parts are present prior to start of assembly.
3. Please follow attached instructions in the same sequence as numbered to assure fast & easy assembly.



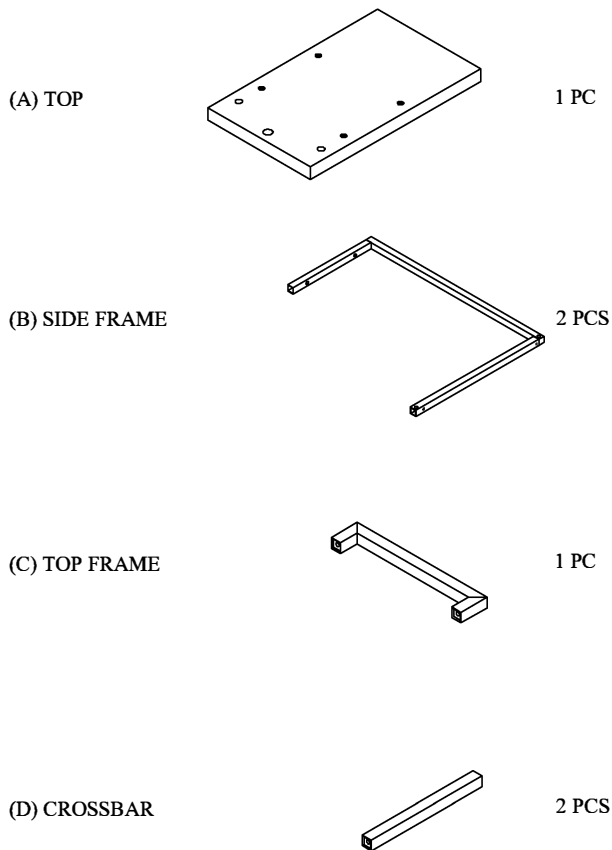
Warning!

1. Don't attempt to repair or modify parts that are broken or defective. Please contact the store immediately.
2. This product is for home use only and not intended for commercial establishment.



ASSEMBLY TIME 20 MINUTES

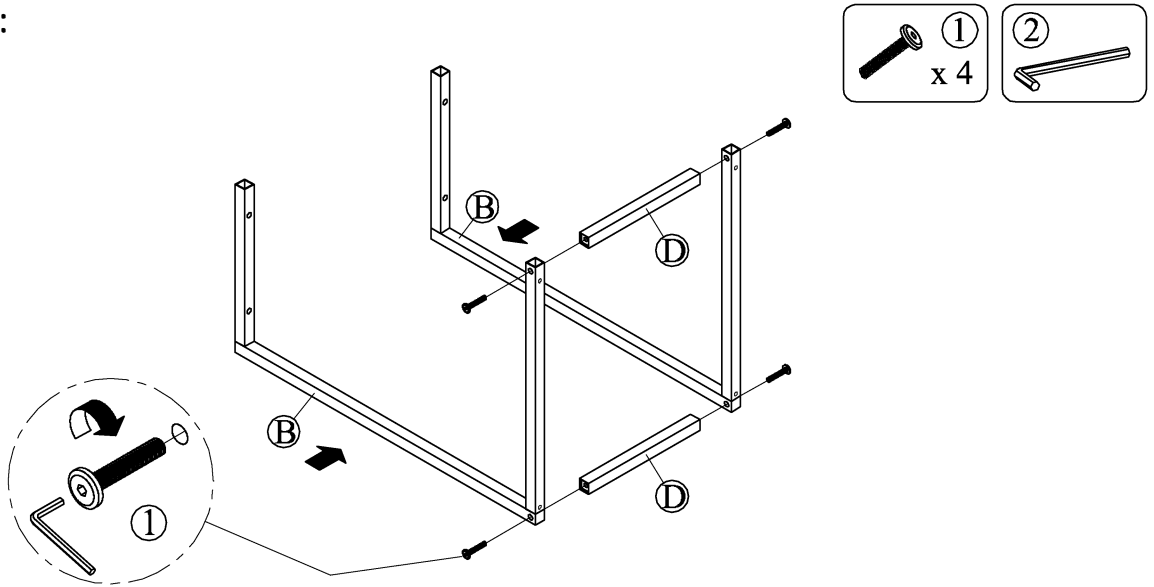
PARTS IDENTIFICATION:



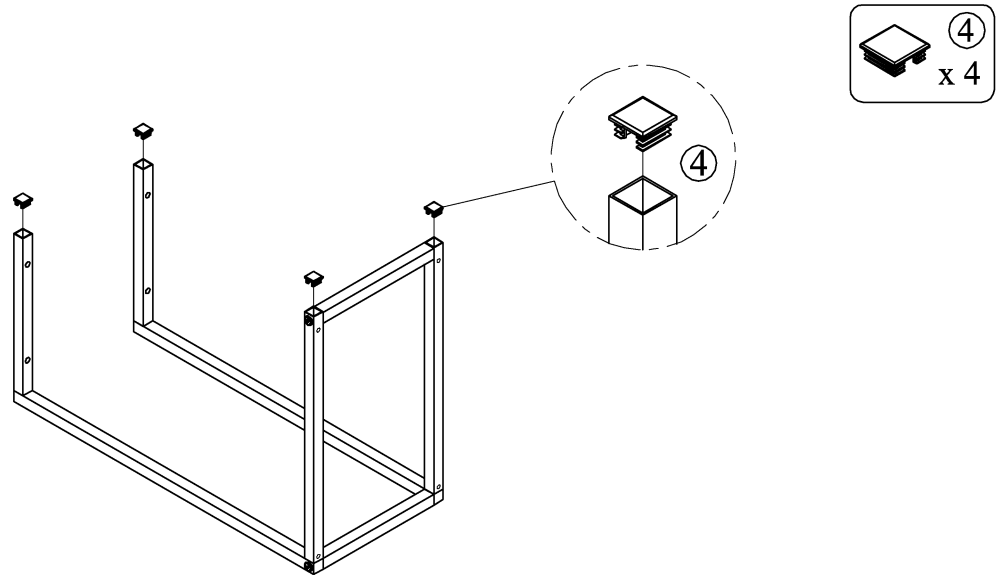
Z	HARDWARE IDENTIFICATION		
NO	DESCRIPTION	FIGURE	Q'TY
1	BOLT (M6x38mm BLK)		10 PCS
2	ALLEN WRENCH (4mm SR)		1 PC
3	USB		1 PC
4	FLOOR PROTECTOR 18x18mm		4 PCS
5	PLASTIC FEET		4 PCS

ASSEMBLY INSTRUCTIONS

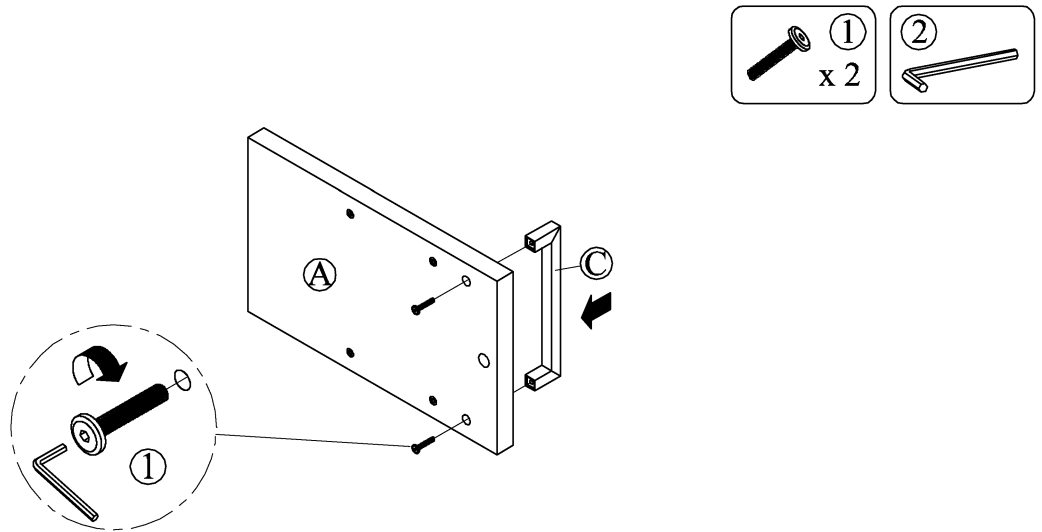
STEP 1 :



STEP 2 :

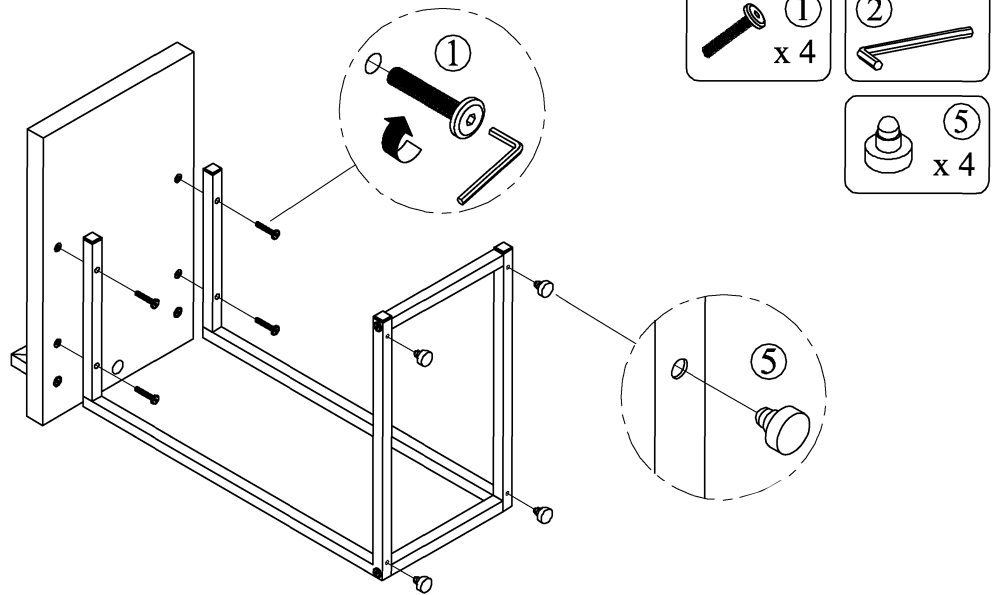


STEP 3 :

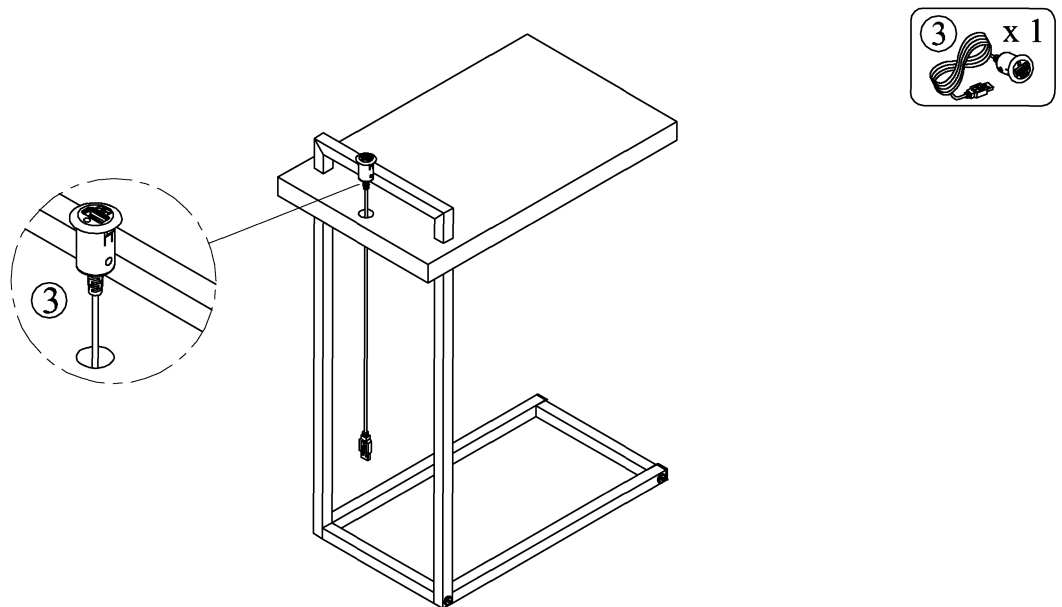


ASSEMBLY INSTRUCTIONS

STEP 4 :



STEP 5 :



STEP 6 :

COMPLETE

