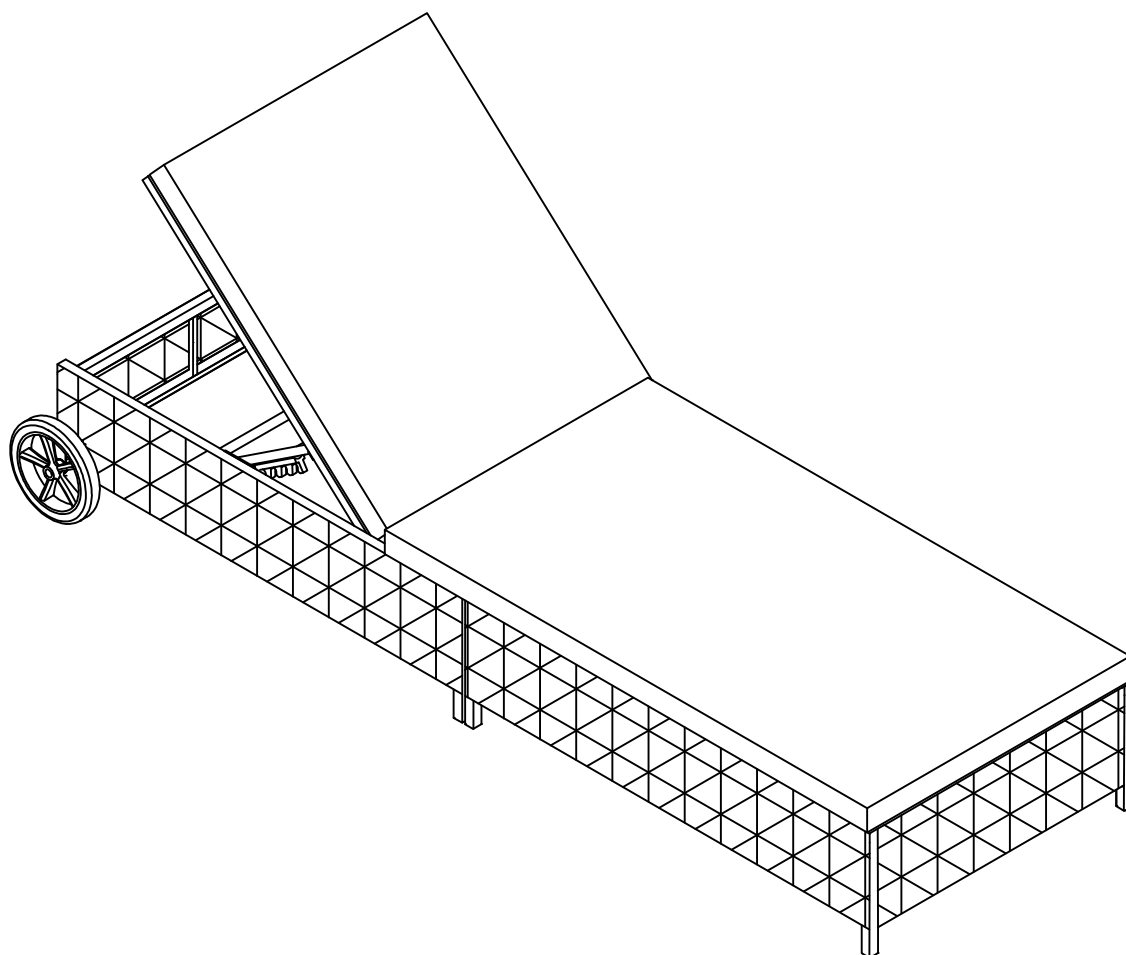


## ASSEMBLY INSTRUCTION

# OUTDOOR CHAISE LOUNGE

## N715P207900














### **Notice:**

1. 50% Tighten before fixing all screws, Allen wrench is recommended instead of an electric drill.
2. Place the item on a flat ground to adjust and make sure it remains stable.
3. Tighten up all screws with tools gradually.
4. If the screws are not aligned with holes during assembly, please loosen all the other screws to 50% and continue the assembly process.
5. If the item is not stable, please loosen all the screws, adjust it on a flat ground and tighten up all screws again.
6. **Note:** If one or some screws are fully tightened during assembly, chances are the others will not be aligned with holes. In addition, all the holes are designed to be relatively larger to provide more space for the adjustment of the screws.

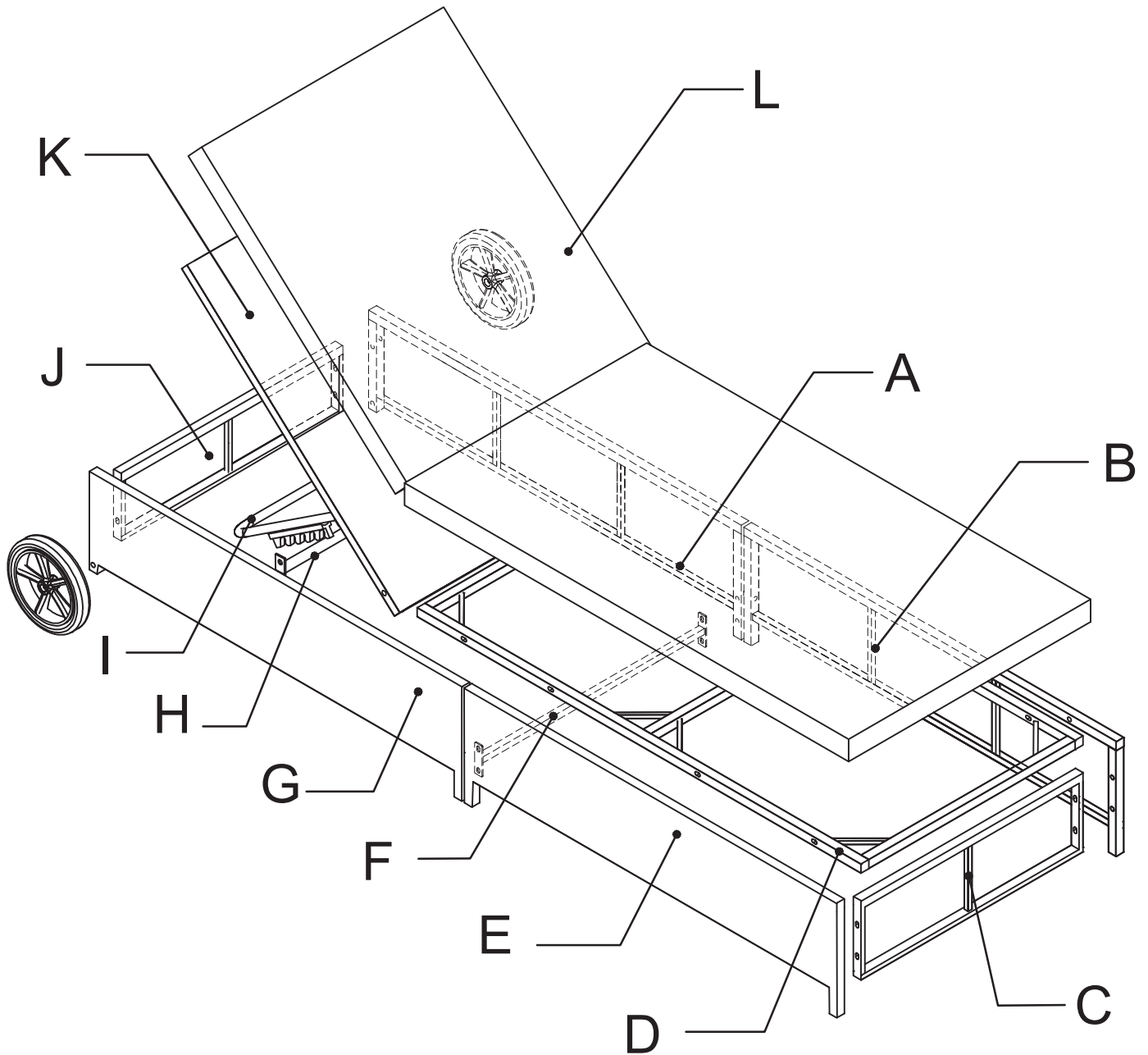
# Assembly Instruction

**Caution: You must read this before you proceed**

## Care & Maintenance

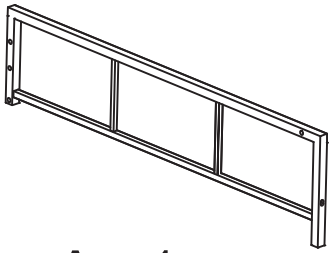
- ⊘  • Not for commercial use. For residential use only.
- ⊘  • Do not put hot items directly on furniture surface.
- ⊘  • Do not clean furniture with harsh cleansers or polish.
- ✓  • To obtain the longest lifespan of your outdoor products, minimizing exposure to direct sunlight is recommended.
- ⊘  • Prolonged exposure to rain may cause rusting which can stain floors.
- ⊘  • Children should not climb or jump on the furniture.
- ⊘  • Do not write on furniture without a padded barrier to protect the surface.
- ✓  • To obtain the longest lifespan of your outdoor products, avoid extended and lengthy exposure to rain, snow, and direct sunshine. Whenever possible cover the product and /or place under patio or awnings.
- ⊘  • Stains may be removed with mild soap solution and damp cloth.
- ✓  • Keep away from sources of ignition.
- ✓  • Dust and pick-up spills using a clean, non-colored, lint-free cloth.

# OUTDOOR CHAISE LOUNGE

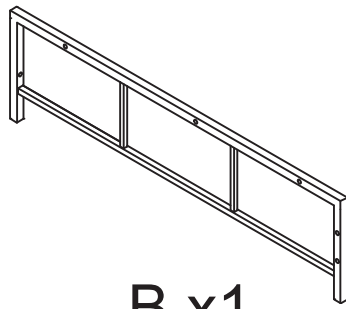


**CAUTION :** This outdoor chaise lounge is NOT a TOY.

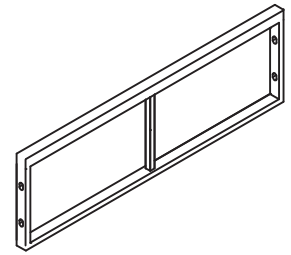
- Keep your child / children at bay in the process of assembly.
- For turning the outdoor chaise lounge and to prevent damage to the outdoor chaise lounge two adults may be needed to execute this action.



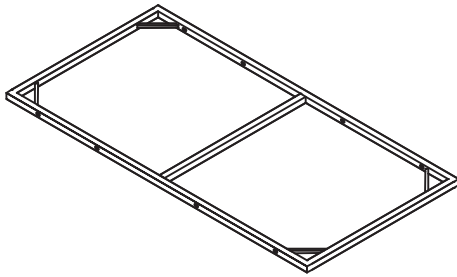
A x1



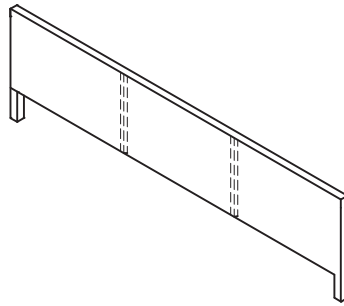
B x1



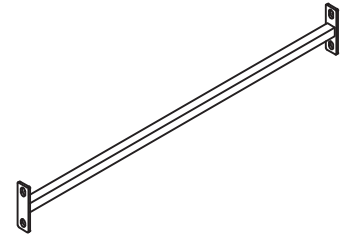
C x1



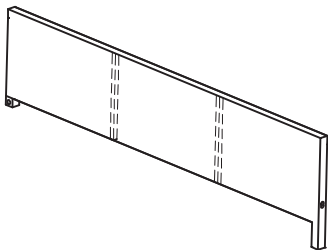
D x1



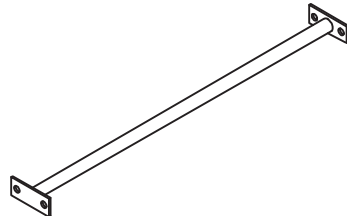
E x1



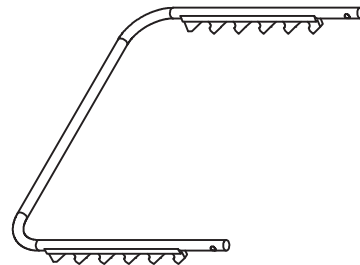
F x1



G x1



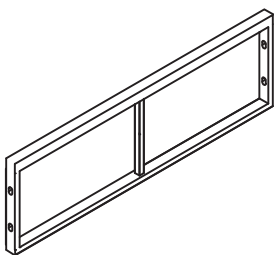
H x1



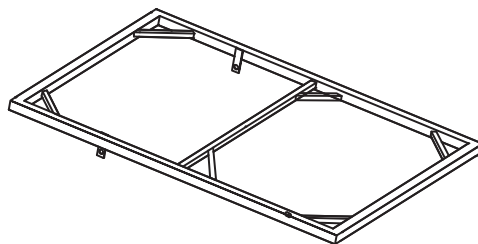
I x1



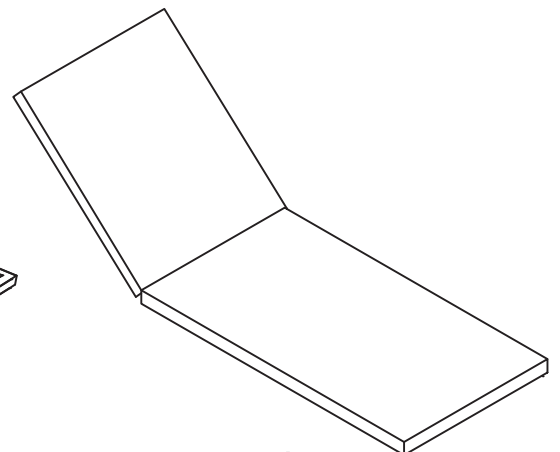
Hardware



J x1



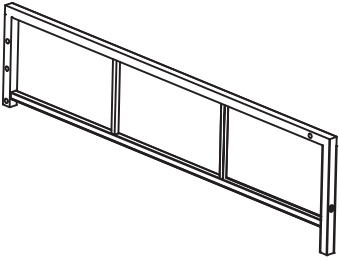
K x1



L x1

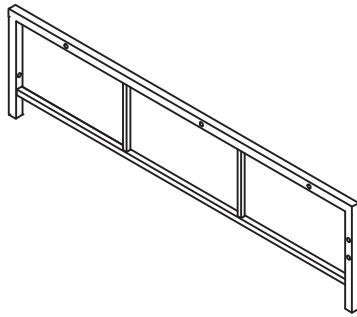
**PART LIST**

**A**



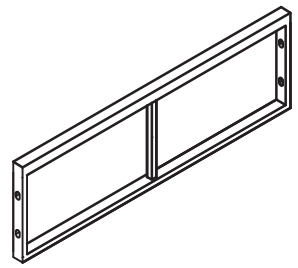
Back right frame

**B**



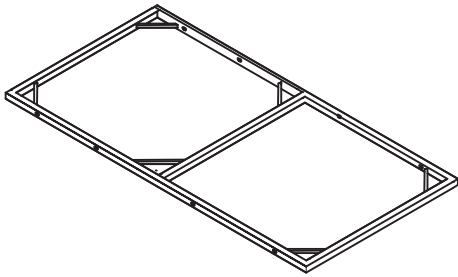
Front right frame

**C**



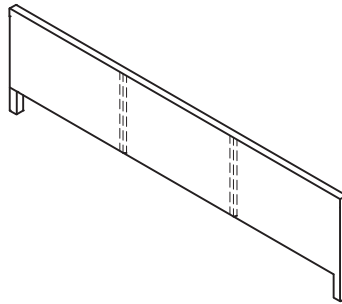
Front end

**D**



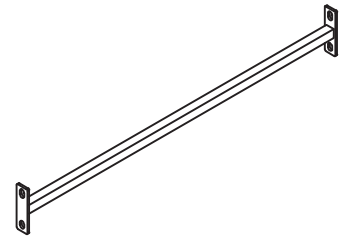
Wicker seating

**E**



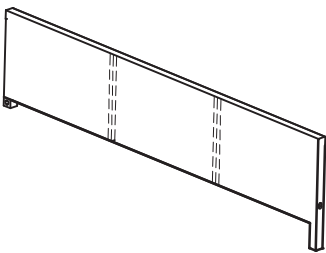
Front left frame

**F**



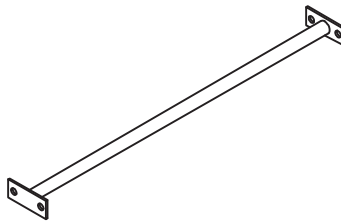
Brace

**G**



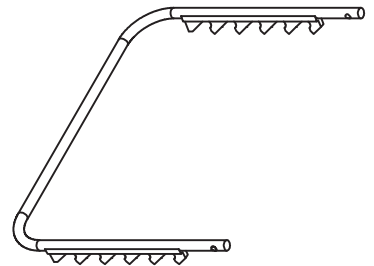
Back left frame

**H**



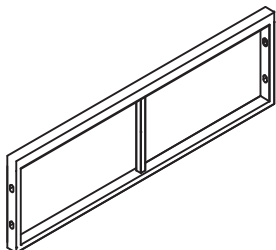
Backrest support bar

**I**



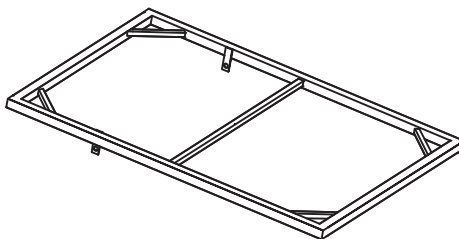
Back U-shaped backrest support frame

**J**



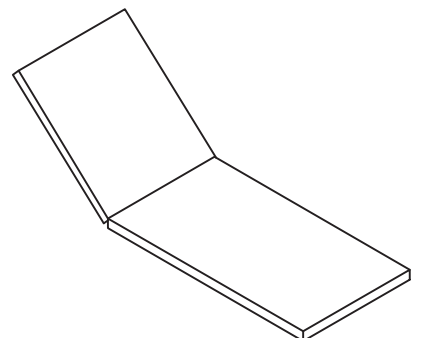
Back end

**K**



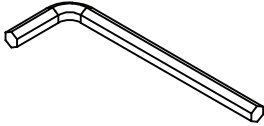
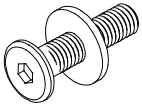
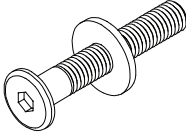
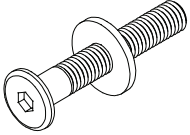
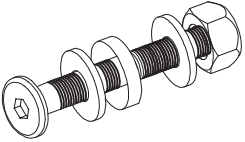
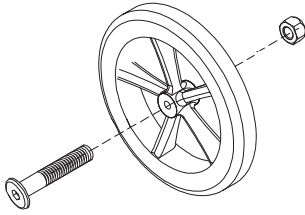
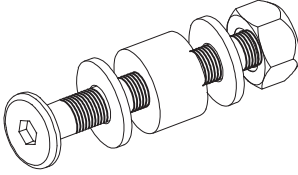

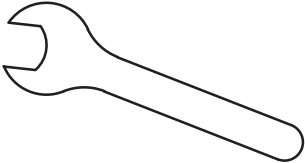
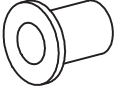

Backrest frame

**L**



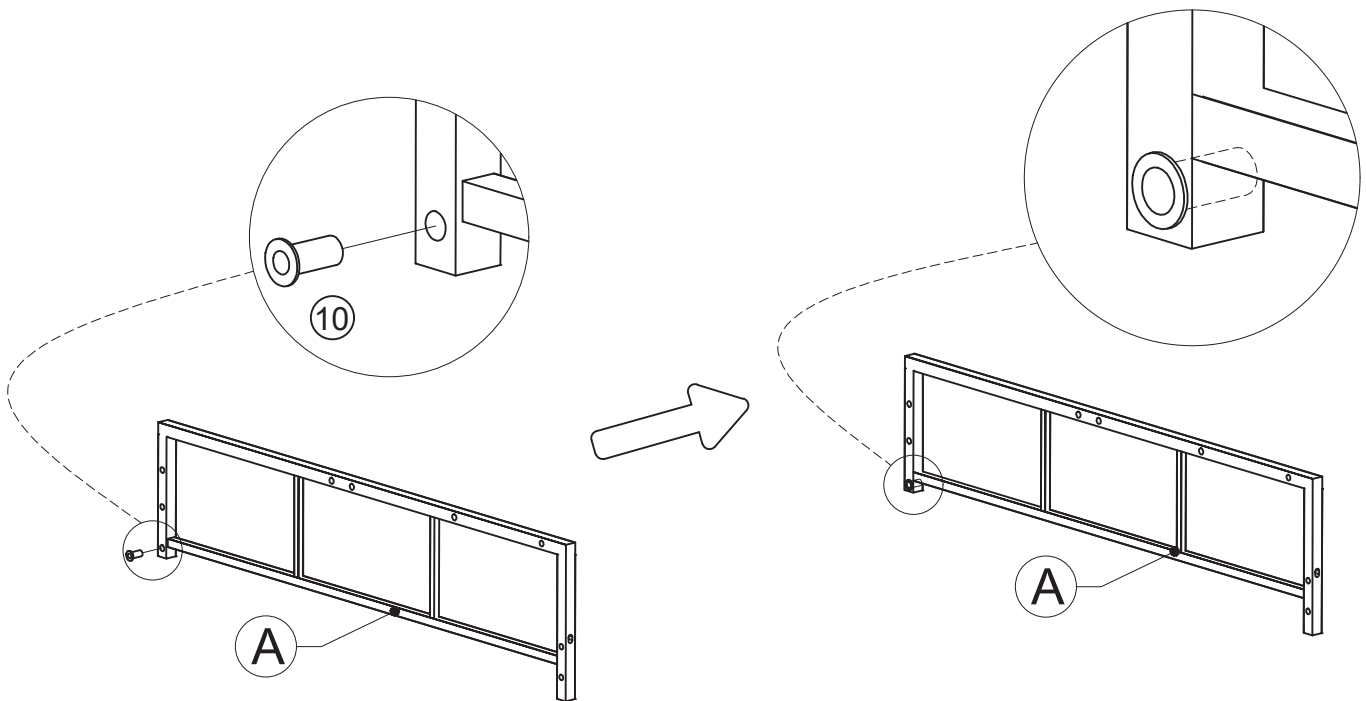
Cushion

# HARDWARE LIST

<p>1</p>  <p>Allen wrench M4 (2 pcs)</p>	<p>2</p>  <p>Bolt M6 x 15 mm (8 pcs) + 1 pc (extra)</p>	<p>3</p>  <p>Bolt M6 x 35 mm (8 pcs) + 1 pc (extra)</p>	<p>4</p>  <p>Bolt M6 x 50 mm (10 pcs) + 1 pc (extra)</p>
<p>5</p>  <p>Bolt M6 x 30 mm (2 pcs)</p>	<p>6</p>  <p>Plastic casters (2 pcs)</p>	<p>7</p>  <p>Bolt M8 x 70 mm (2 pcs)</p>	<p>8</p>  <p>Wrench 10 mm (1 pc)</p>
<p>9</p>  <p>Wrench 13 mm (1 pc)</p>	<p>10</p>  <p>Bearing bush (2 pcs)</p>	<p>11</p>  <p>Nuts (2 pcs)</p>	

### Step 1

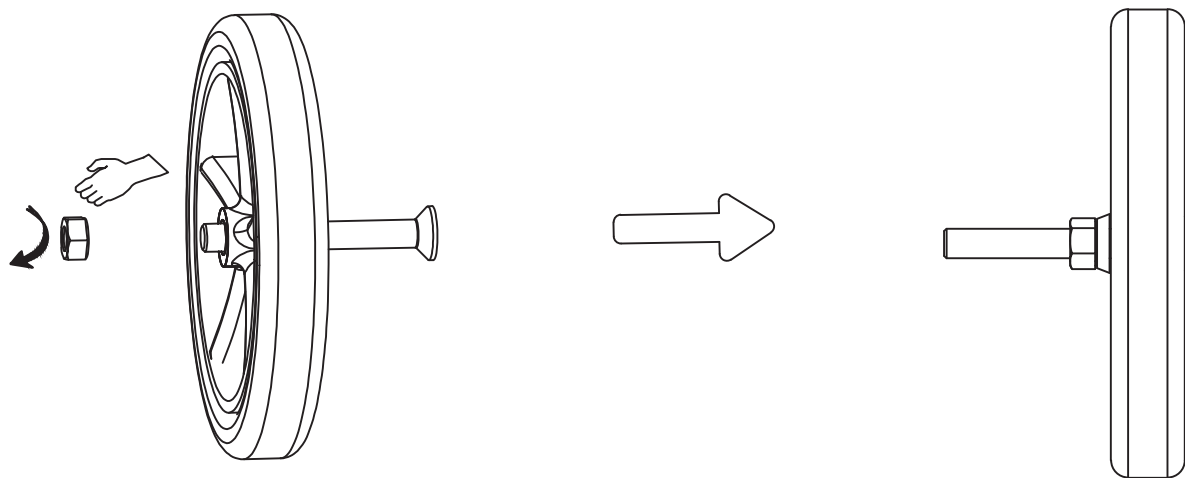
Install a bearing bush (10) into (A).



(A) x1 (10) x1

### Step 2

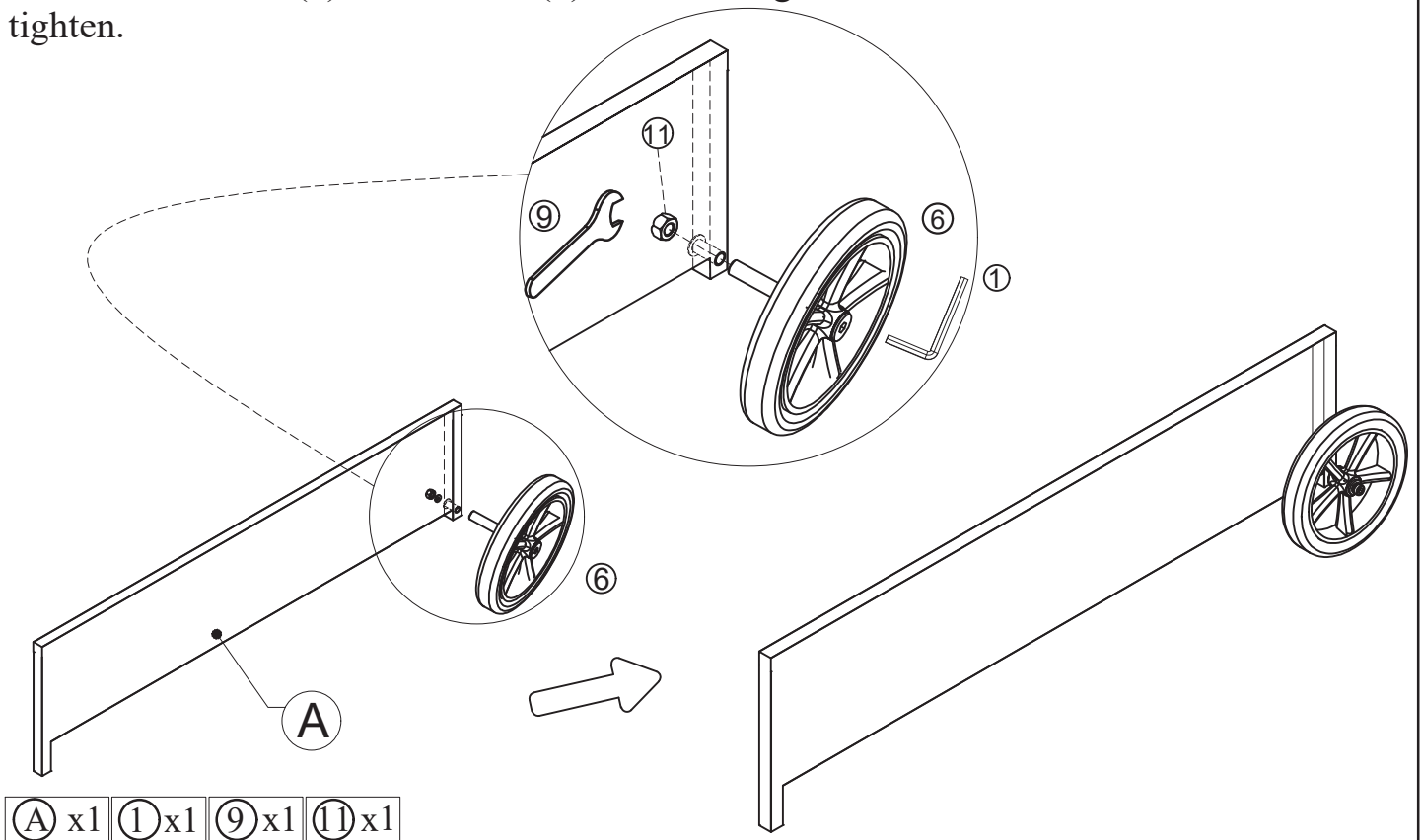
Wheel Assembly (6). Note: Do not use a wrench for tightening.



(6) x1

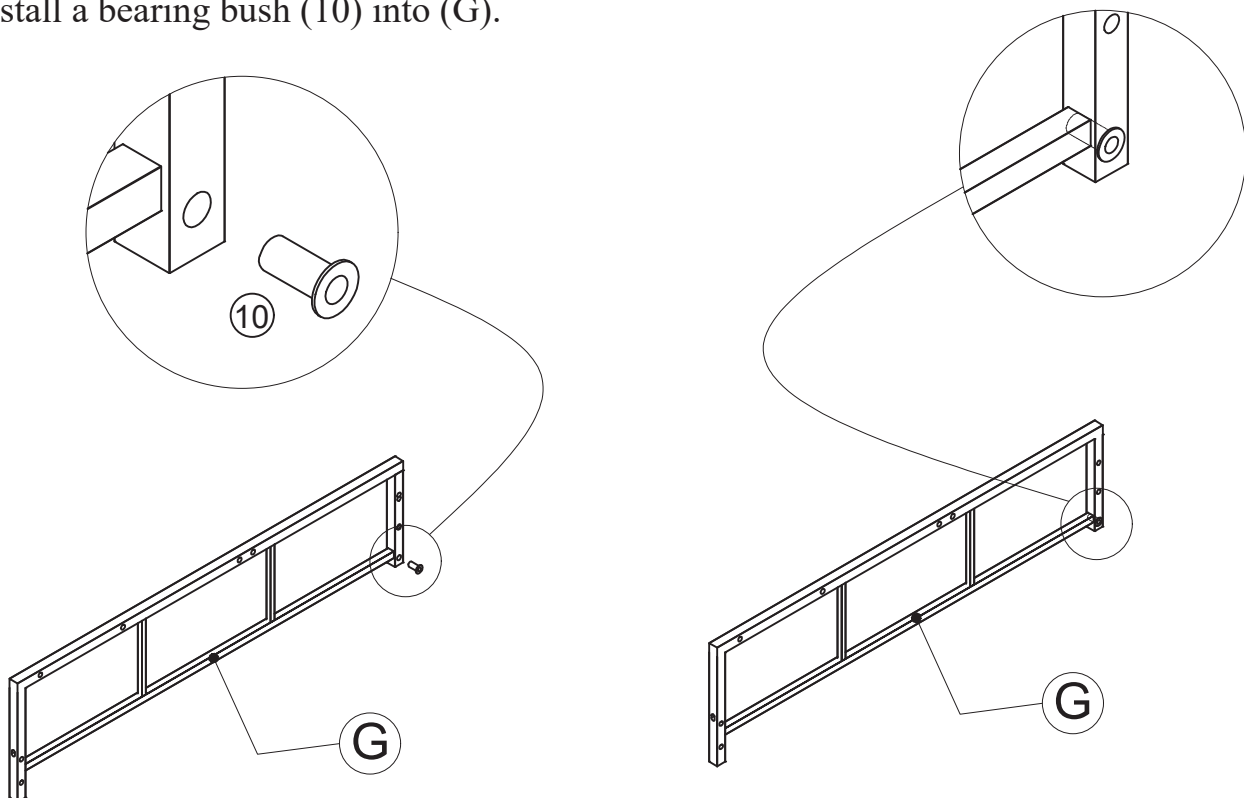
### Step 3 (Install wheel on the right part of the chaise)

Connect the wheel sets (6) (in step 2), on the right side part of the chaise (A) then tighten with allen wrench (1) and wrench (9). **Note:** Using allen wrench to hold and wrench to tighten.



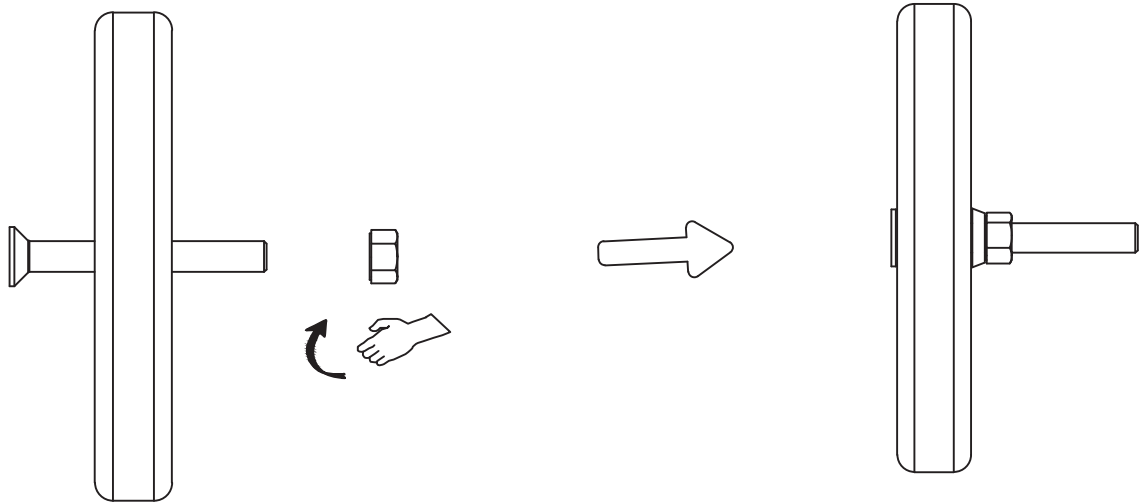
### Step 4

Install a bearing bush (10) into (G).



### Step 5

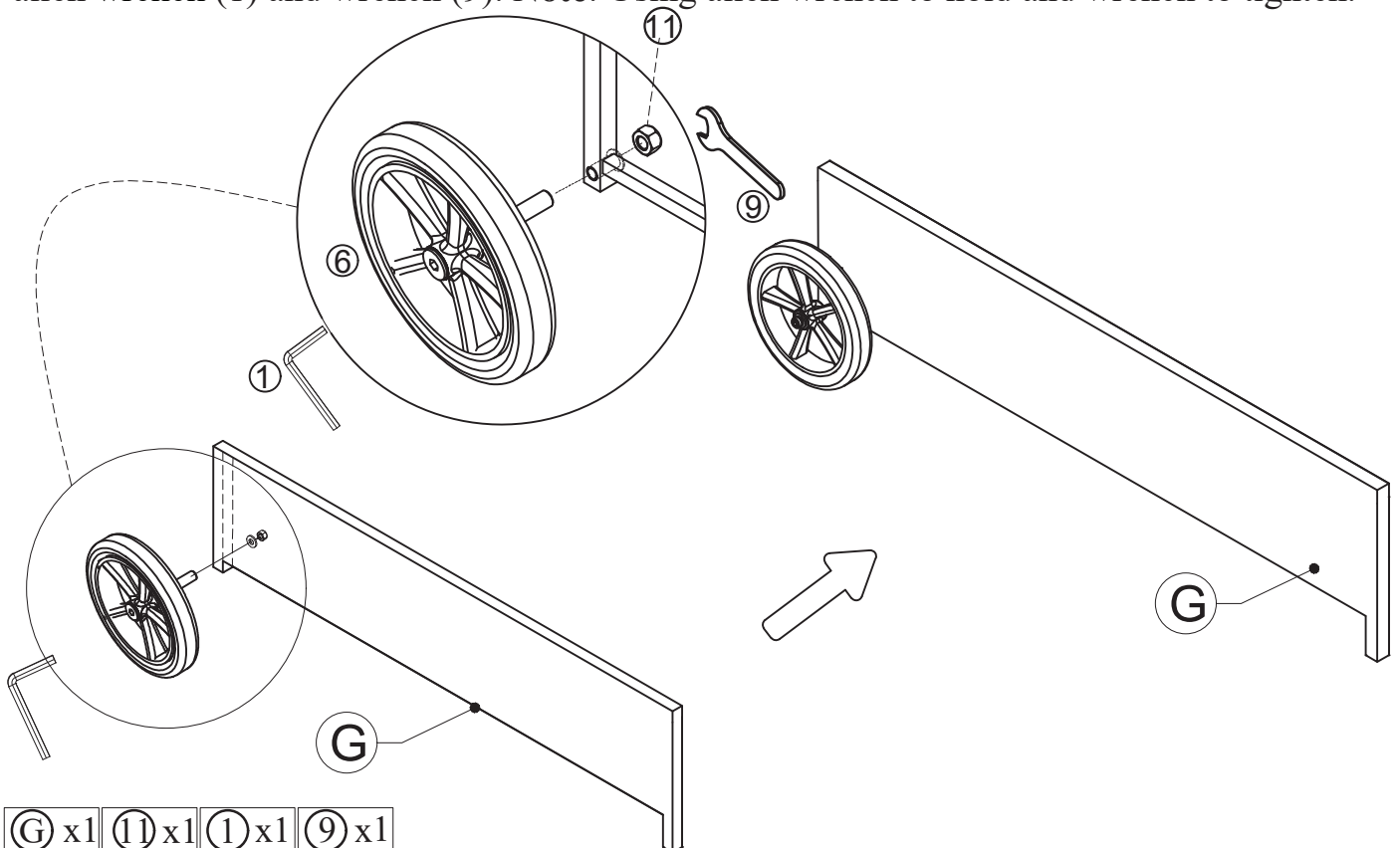
Wheel Assembly (6). Note: Do not use a wrench for tightening.



⑥ x1

### Step 6 (Install wheel on the left part of the chaise)

Connect the wheel sets (6) (in step 5), on the left side part of the chaise (G) then tighten with allen wrench (1) and wrench (9). **Note:** Using allen wrench to hold and wrench to tighten.

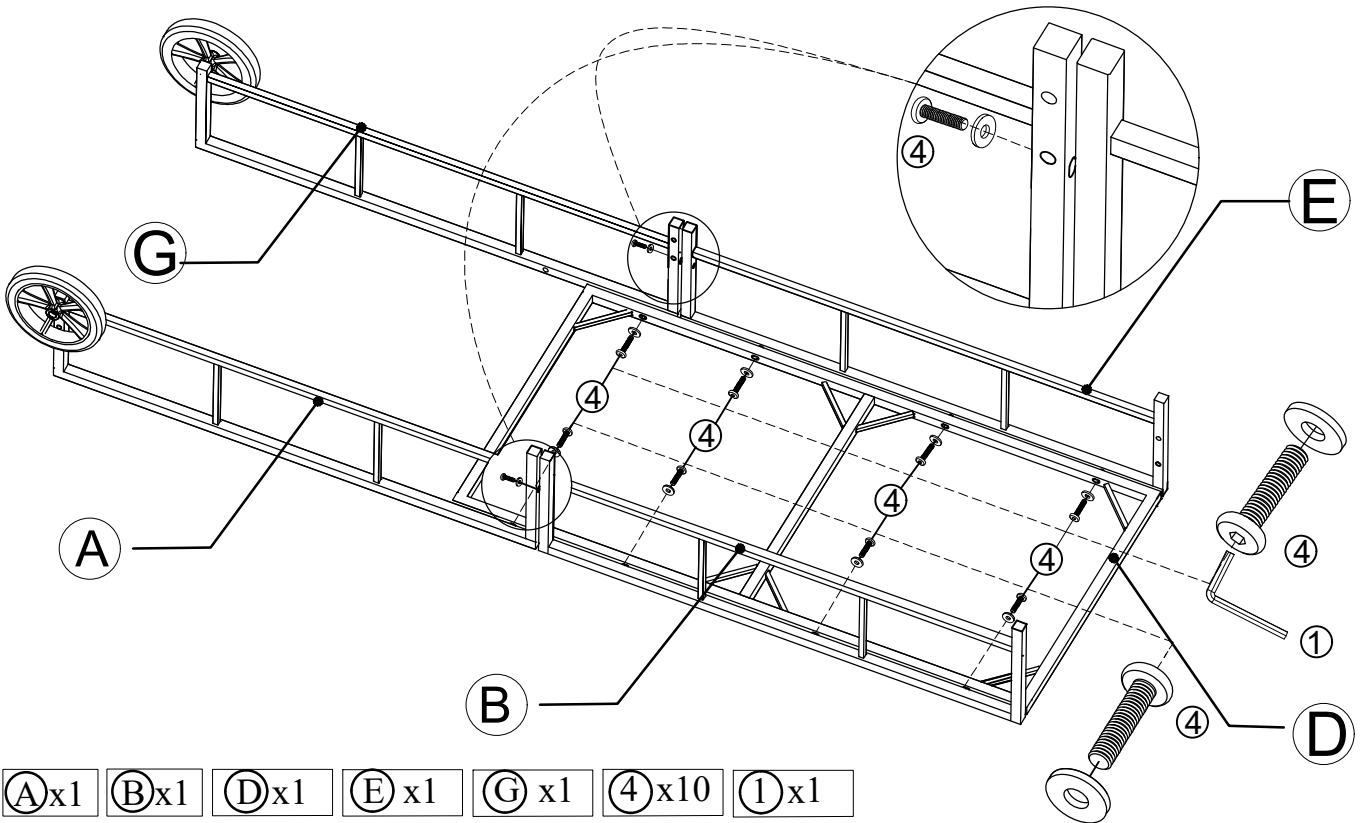


⑥ x1 ① x1 ① x1 ⑨ x1

### Step 7

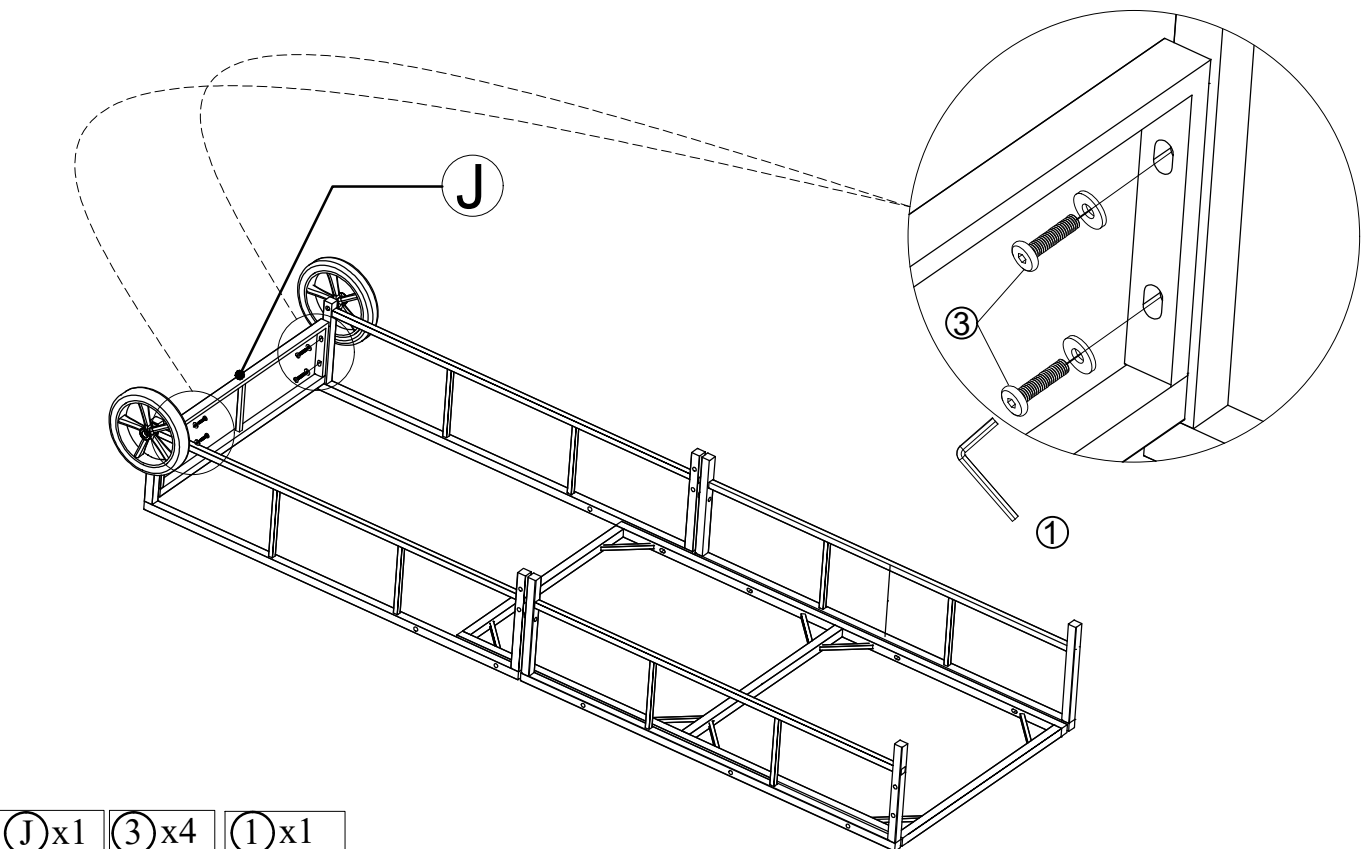
Connect (D) with (A), (B), (E), (G) by bolt (4) and allen wrench (1).

**Note:** Please align the positions fairly before tightening.



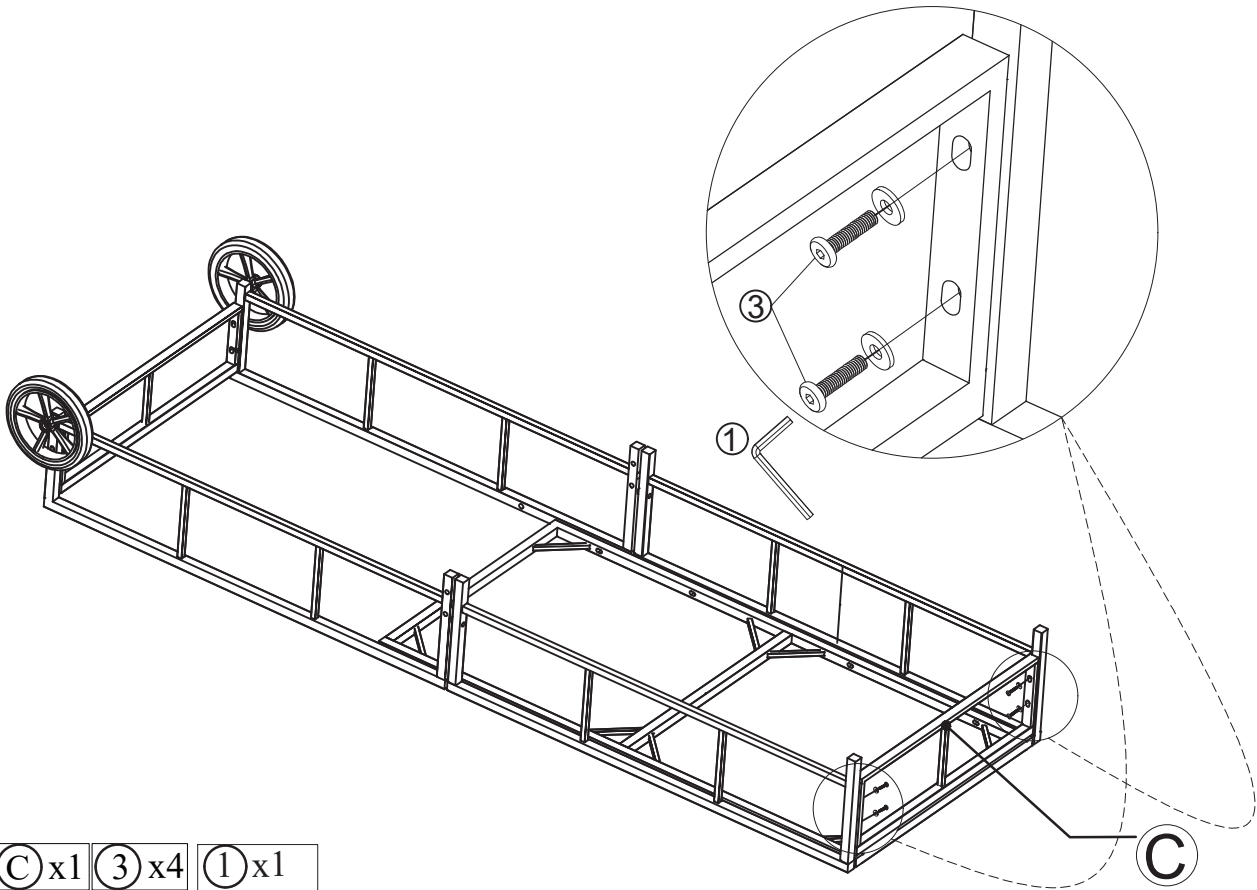
### Step 8

Install the back chaise lounge frame (J) with bolt (3) and allen wrench (1).



### Step 9

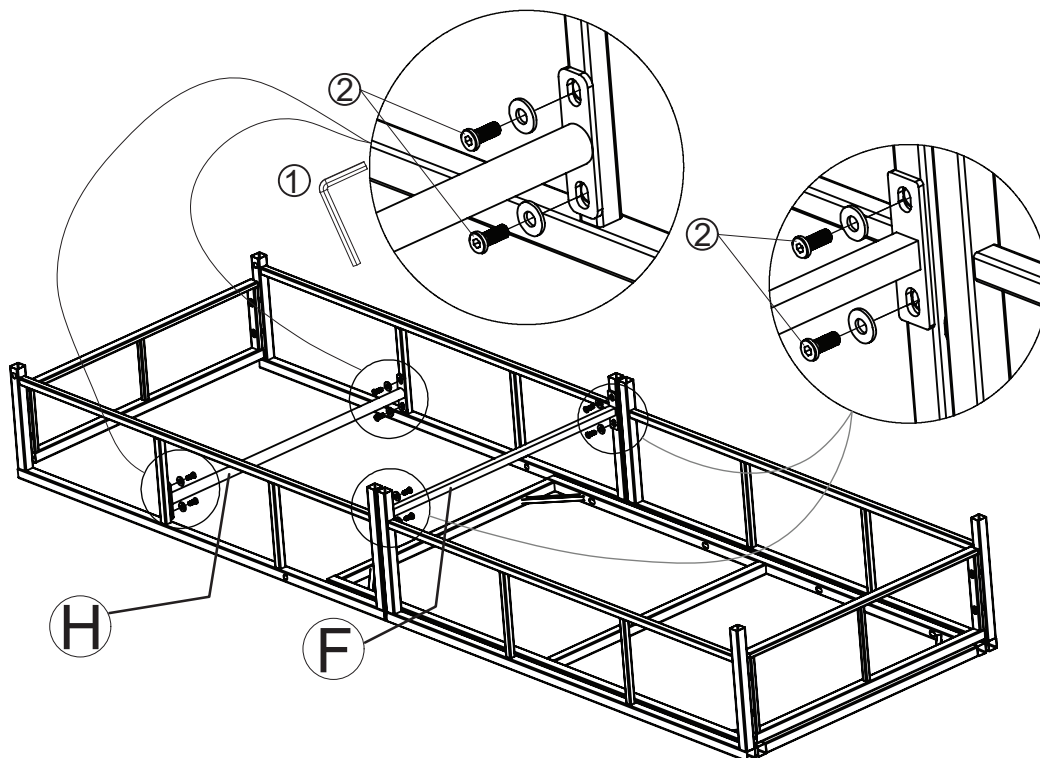
Install the front chaise lounge frame (C) with bolt (3) and allen wrench (1).



(C) x1 (3) x4 (1) x1

### Step 10

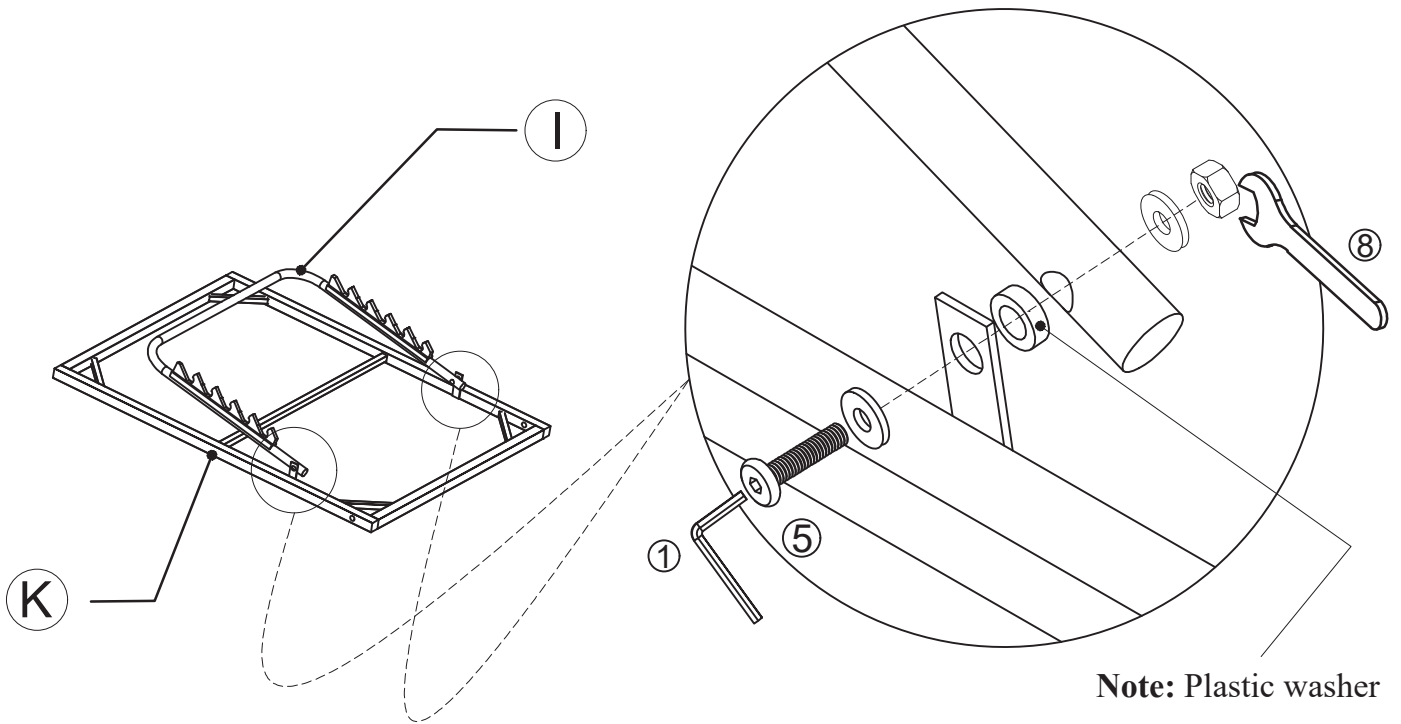
Install (F) and (H) by bolts (2) and allen wrench (1).



(F) x1 (H) x1 (2) X8 (1) x1

### Step 11

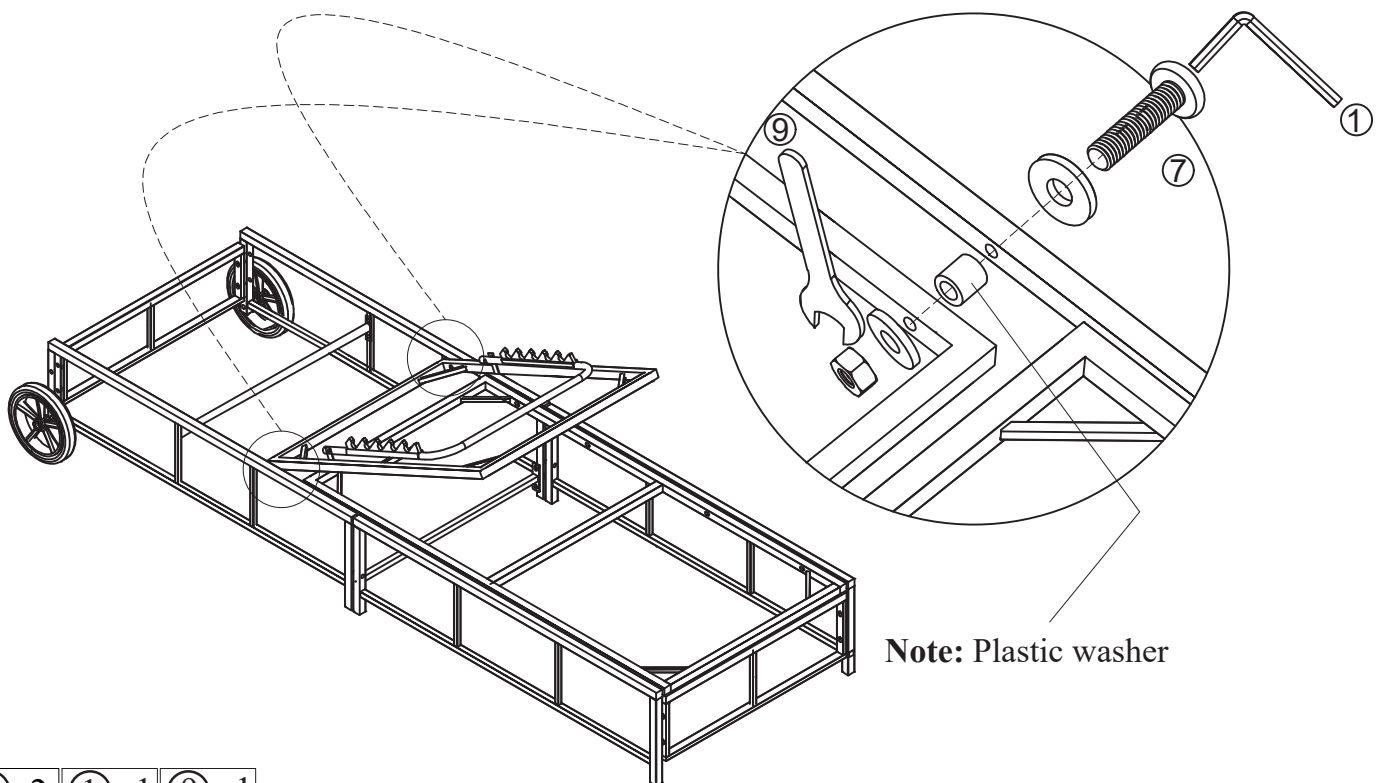
Install (I) with (K) by bolt set (5) allen wrench (1) and wrench (8).



(K) x1 (I) x1 (5) x2 (1) x1 (8) x1

### Step 12

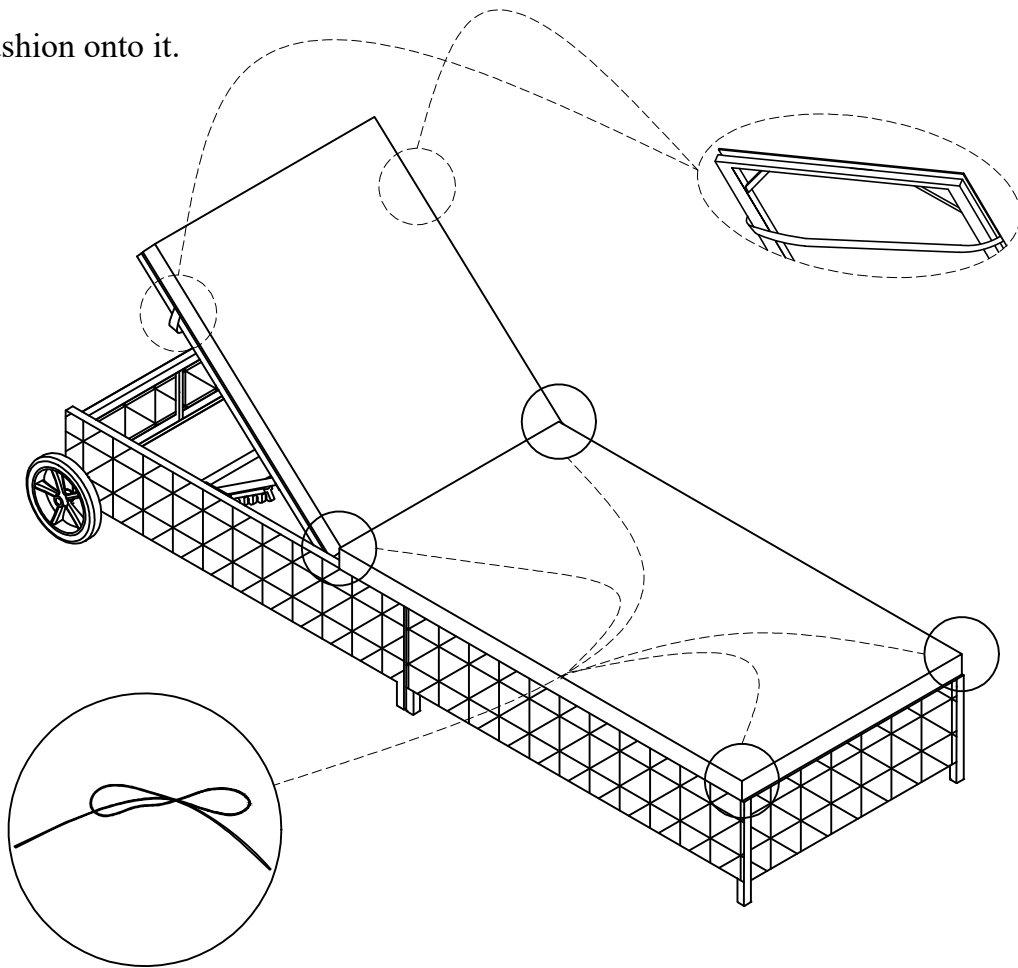
Install the whole part from Step 7 with the chaise lounge frame by bolt set (7), allen wrench (1) and wrench (9). Paying attention to the blank space on both sides, make sure it to be the same space when tightening.



(7) x2 (1) x1 (9) x1

### Step 13

Put the chaise cushion onto it.



Ⓛ x1

### Step 14

Exerting pressure, floorwards onto the chaise lounge with both hands. This pressure will help it reach full alignment at all joints. In a sequential manner, gradually tighten all bolts, screws at all joints until evenly secured. Inspect the chaise lounge and make sure all parts are adequately connected.

**Note:** This chaise lounge can only be used on a flat, level surface.

