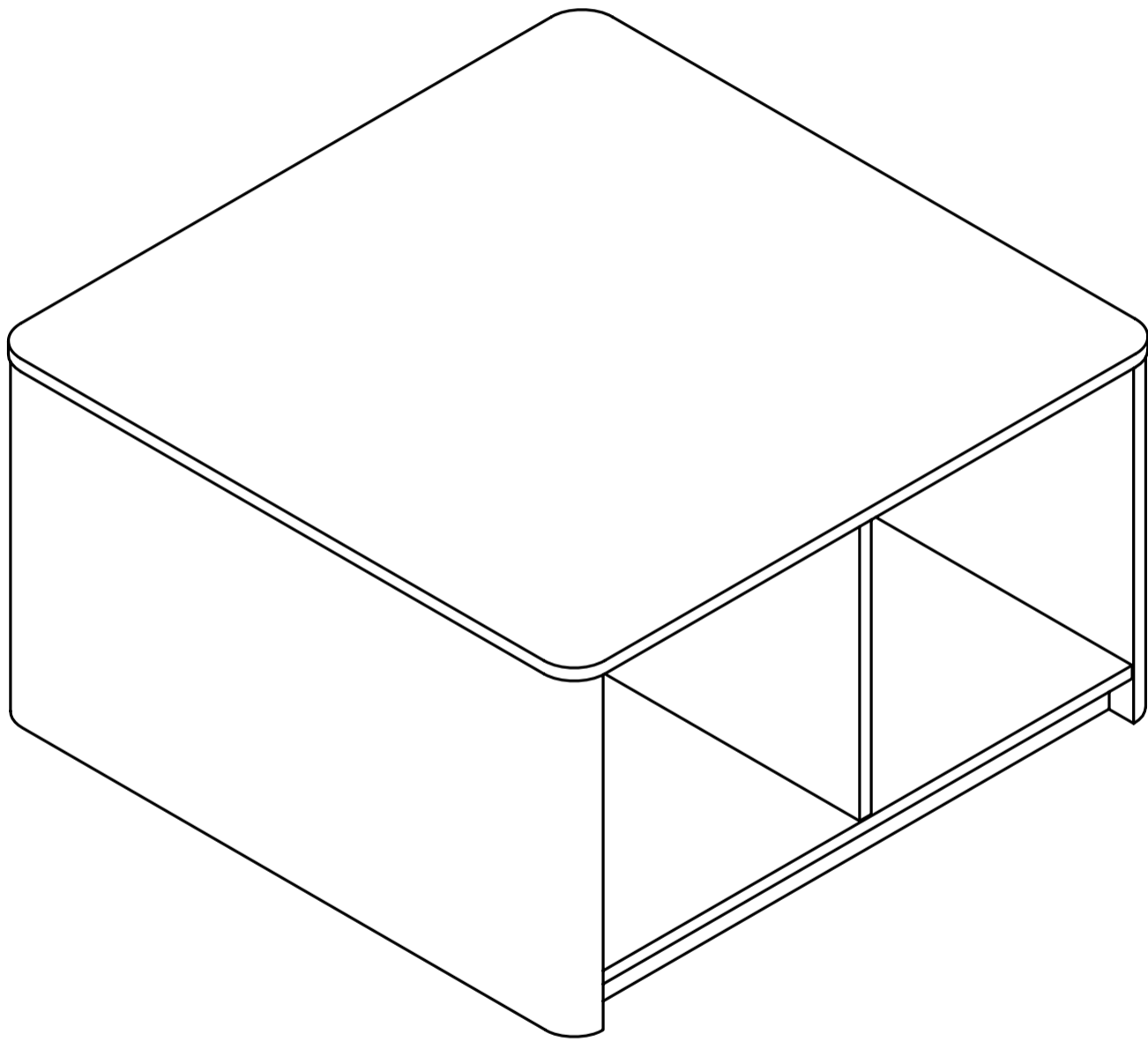
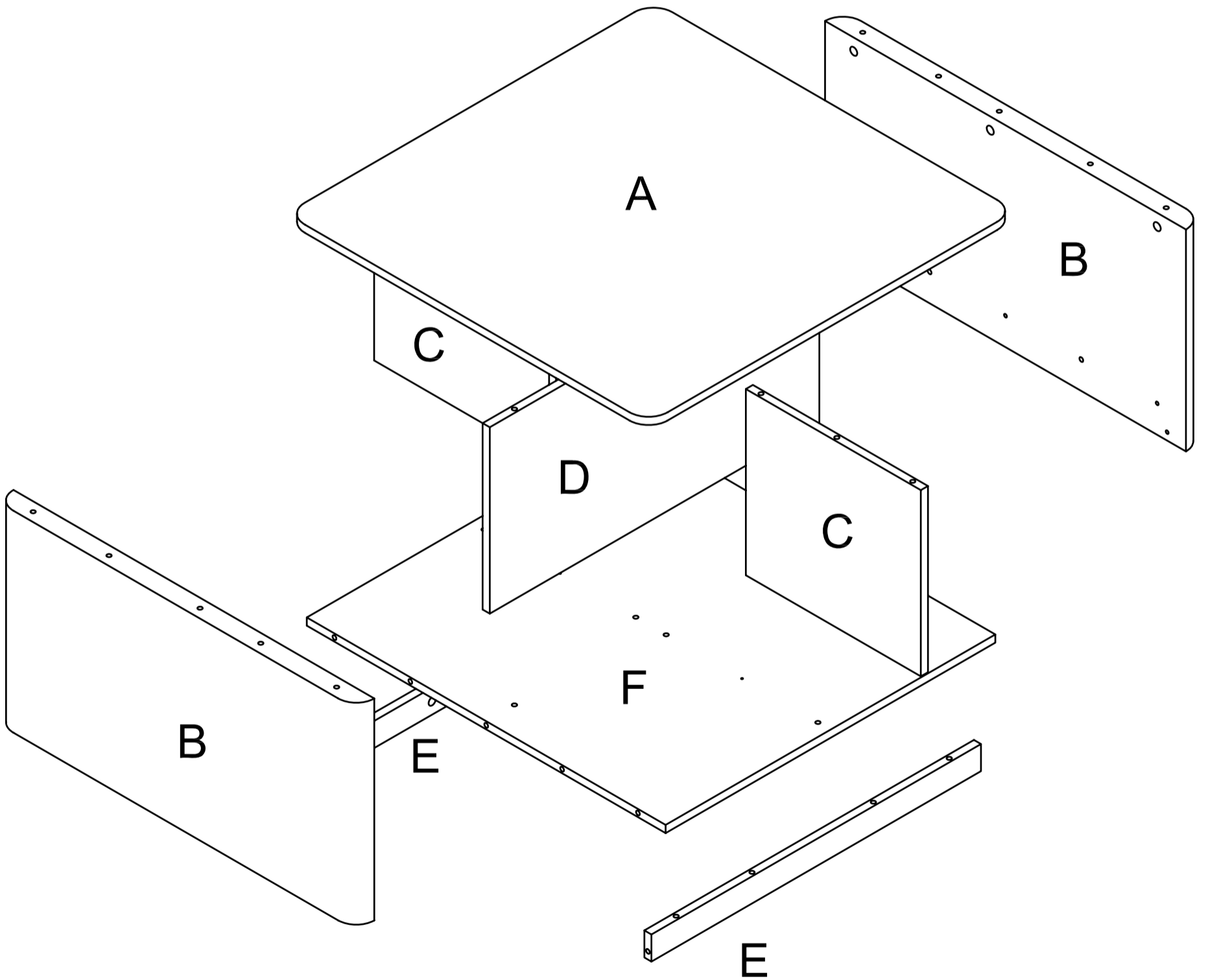


ASSEMBLY INSTRUCTIONS




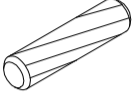

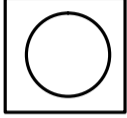


Component List

Part	A	B	C	D	E	F
Qty	1	2	2	1	2	1

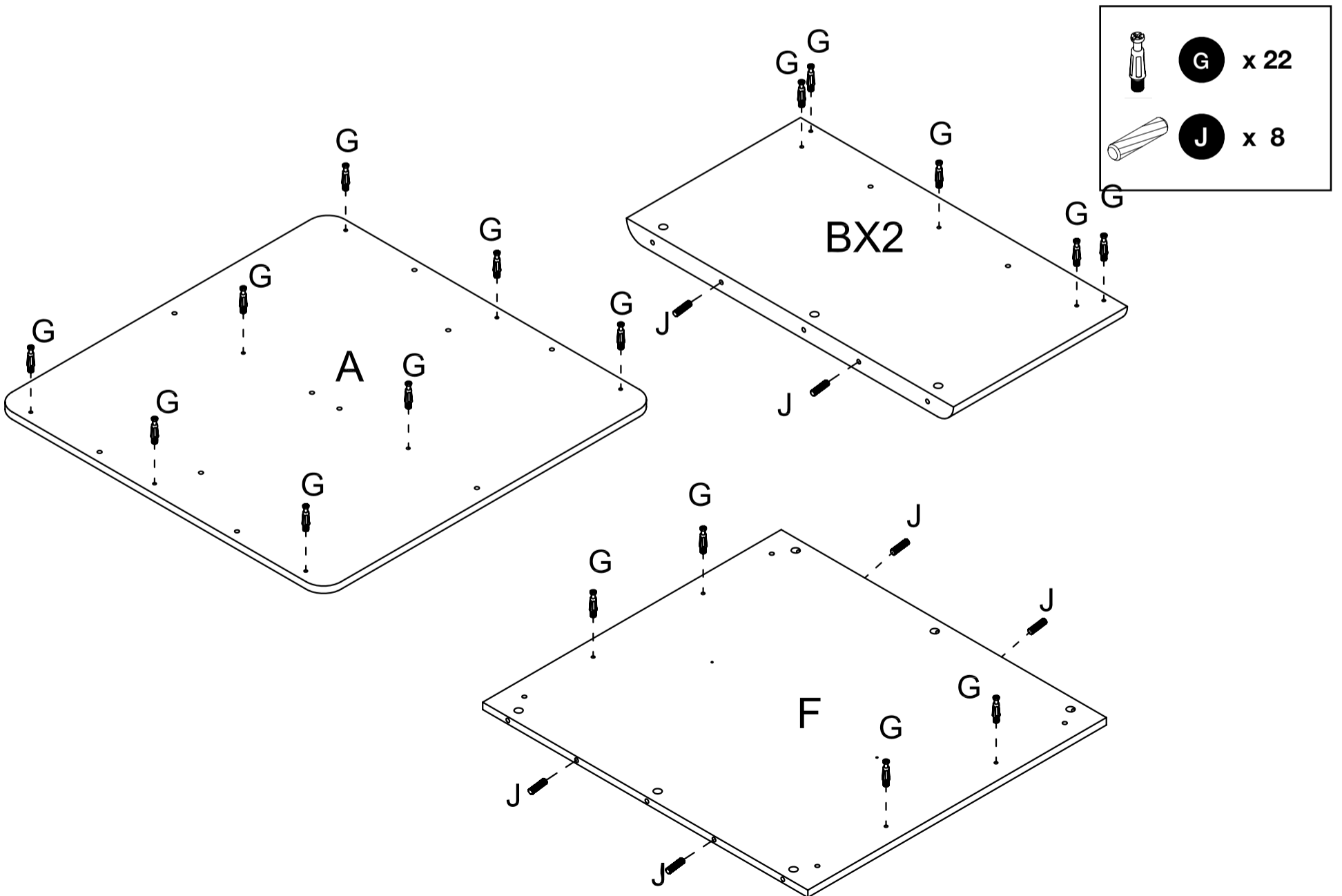


Hardware List

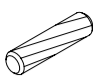
Item	Image	Qty	Item	Image	Qty	Item	Image	Qty
G		22	H		22	I		2
J		24	K		4	L		8

Assembly Steps

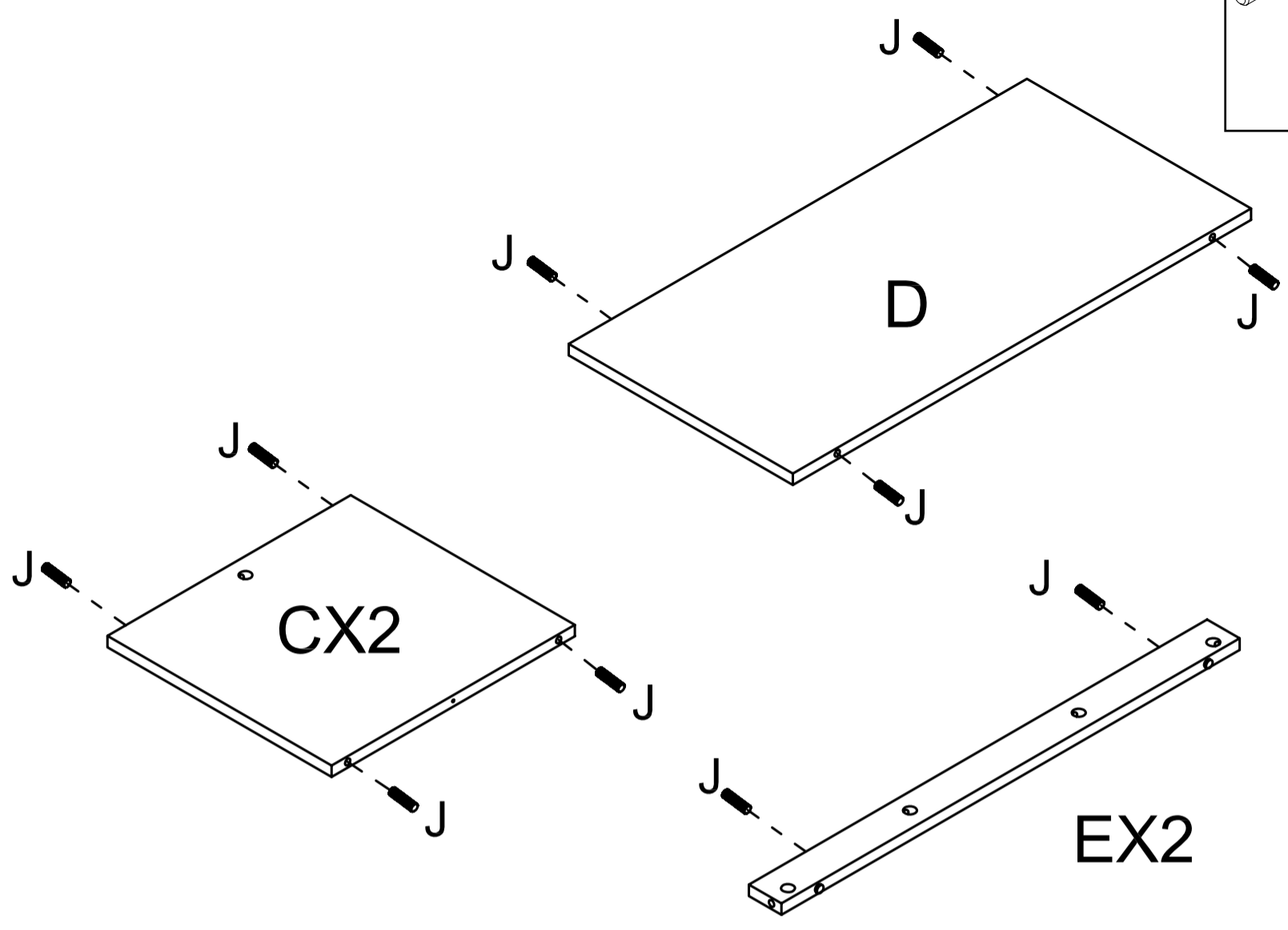
Step 1




Step 2



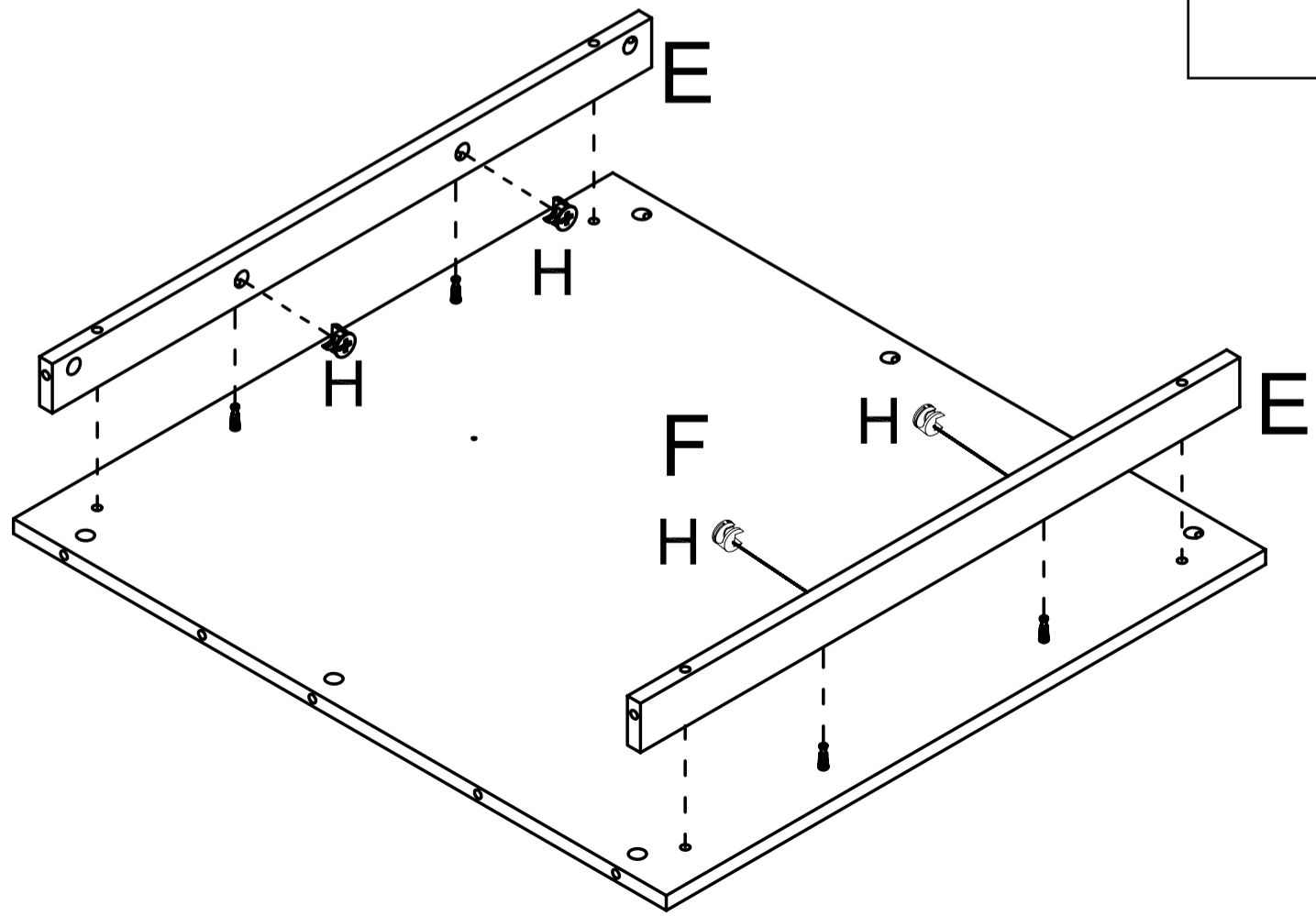
J x 16



Step 3

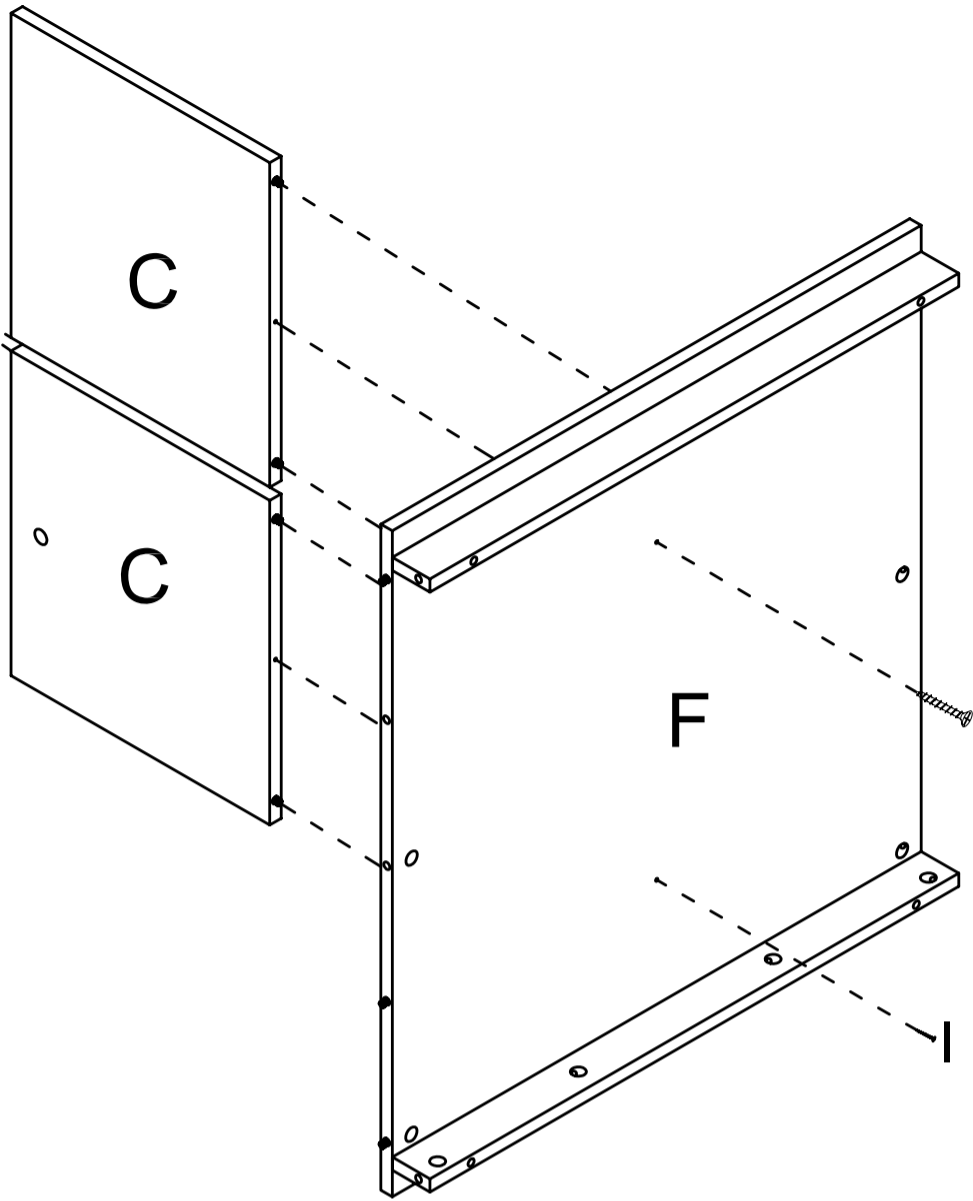



H x 4



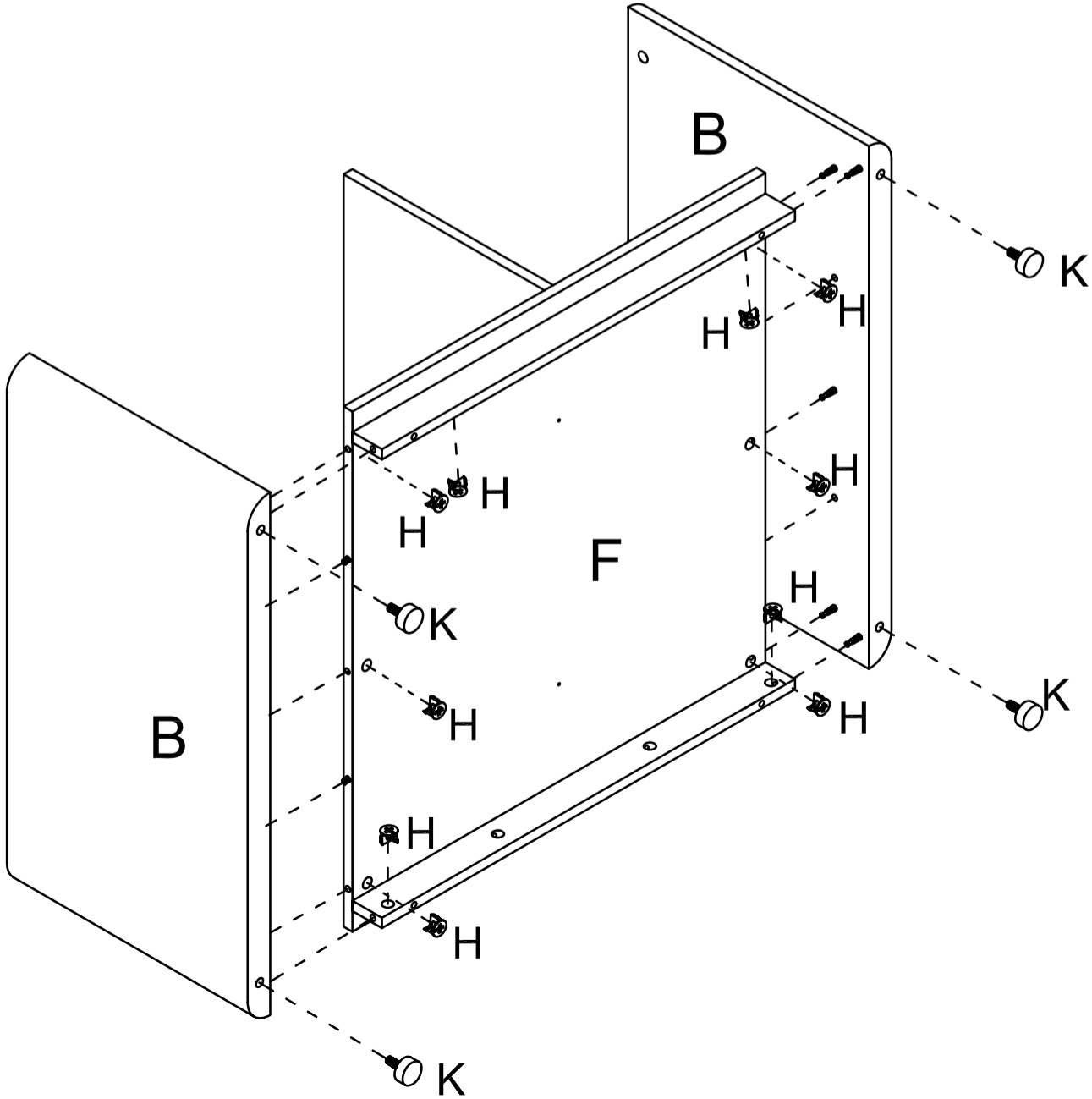
Step 4



Raw Edge




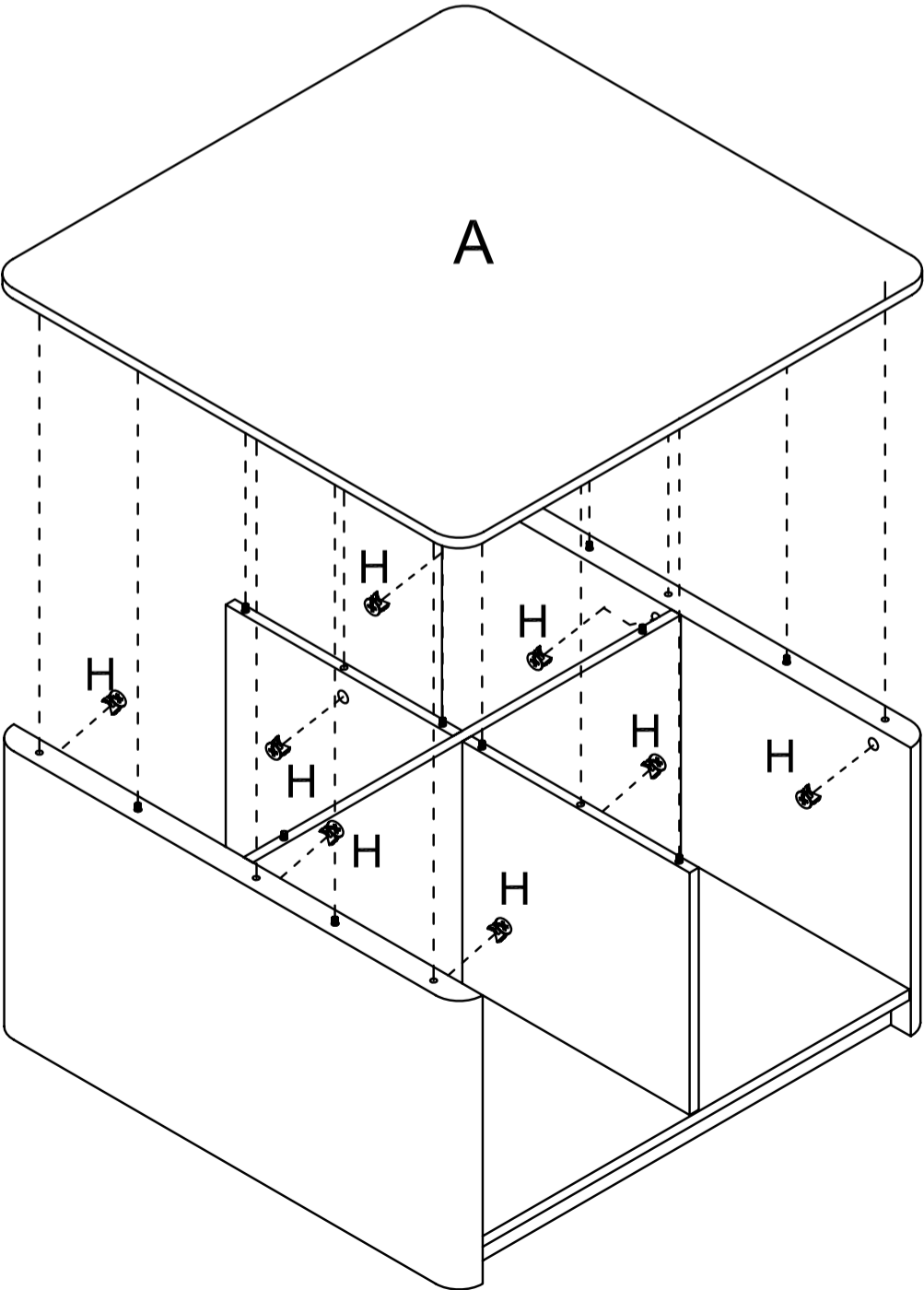
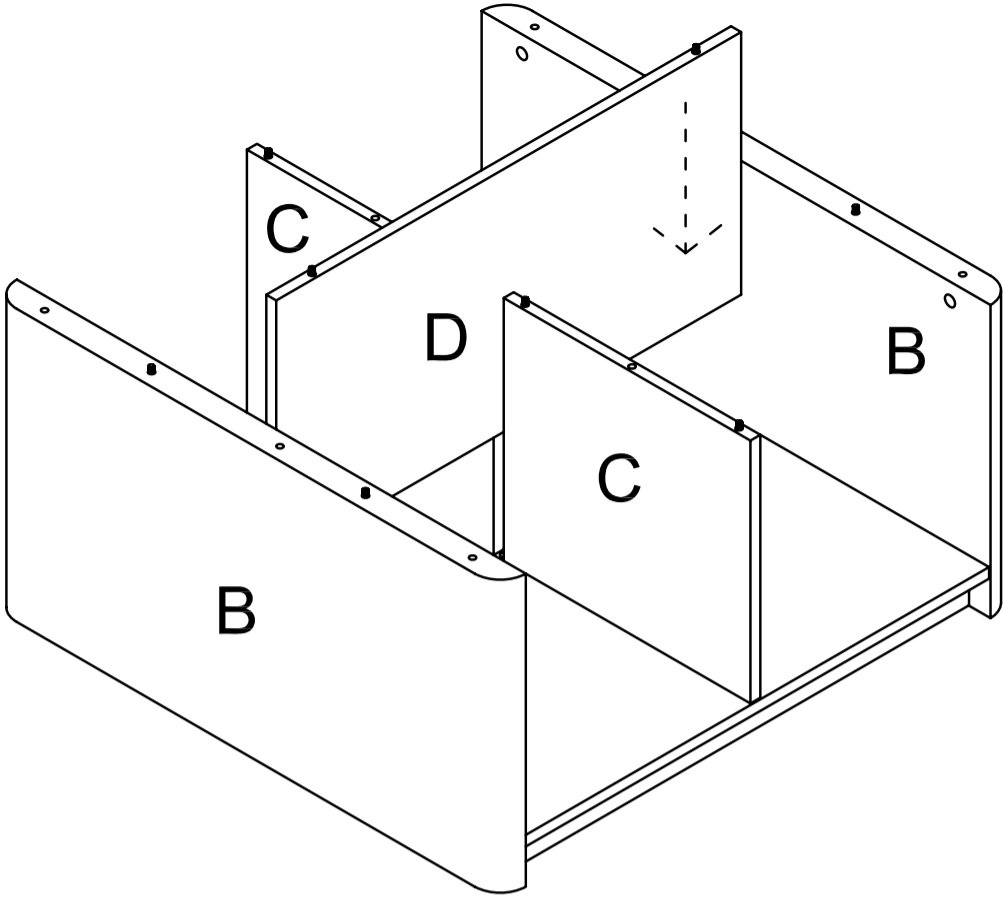
	I	x 2
--	----------	-----

Step 5

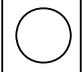


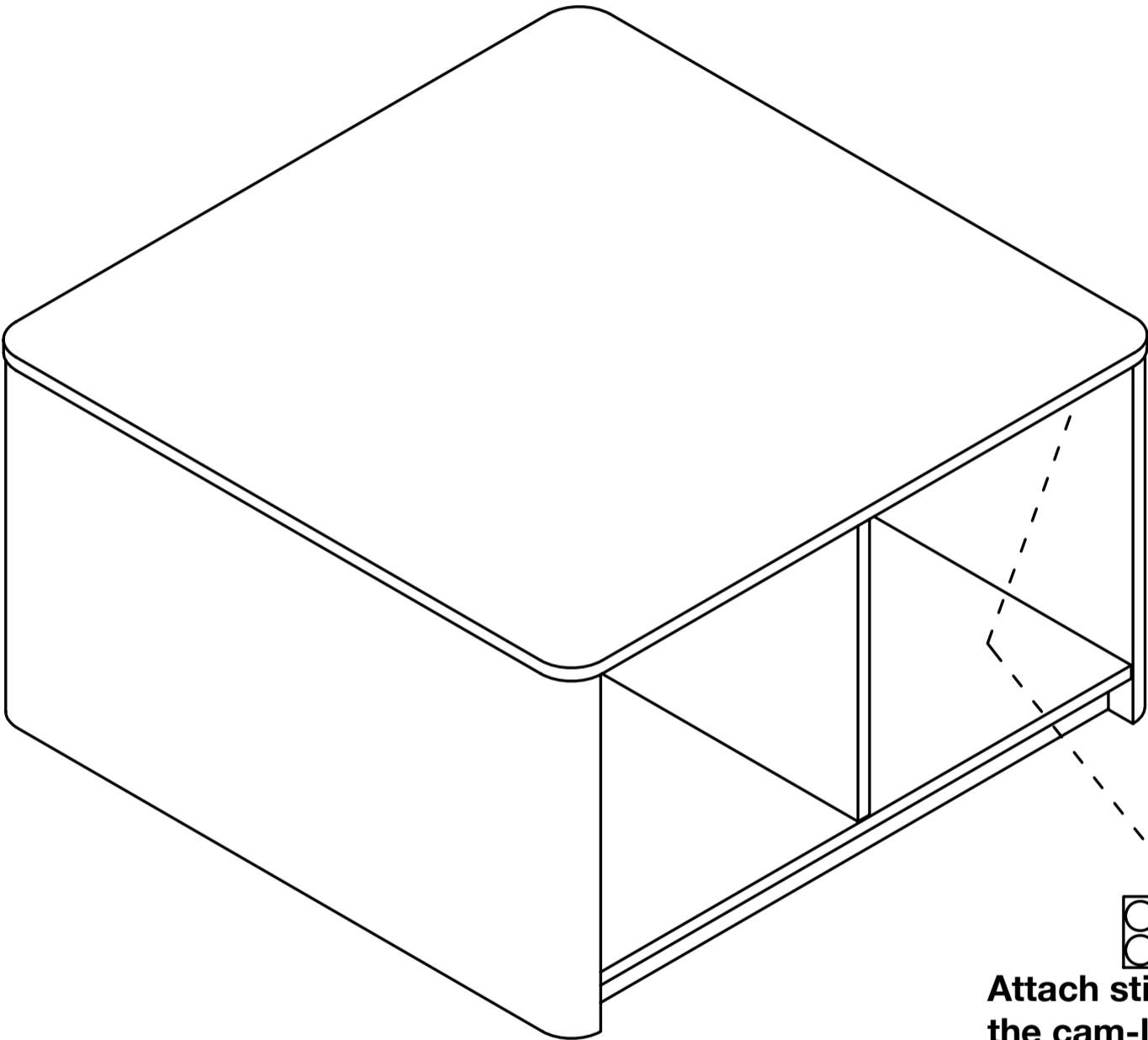
	H	x 10
	K	x 4

Step 6

**H** x 8

Step 7

 **L** x 8



Attach stickers to cover the cam-lock holes