

Technical Support and E-Warranty Certificate [www.vevor.com/support](http://www.vevor.com/support)

## MECHANICAL KEYLESS DOOR LOCK

### USER MANUAL

**MODEL: OL-601HD2-B-01  
OL-601HD2-B-03**

We continue to be committed to provide you tools with competitive price. "Save Half", "Half Price" or any other similar expressions used by us only represents an estimate of savings you might benefit from buying certain tools with us compared to the major top brands and does not necessarily mean to cover all categories of tools offered by us. You are kindly reminded to verify carefully when you are placing an order with us if you are actually saving half in comparison with the top major brands.

**MODEL: OL-601HD2-B-01/OL-601HD2-B-03**



*(The picture is for reference only; please refer to the actual object)*

### NEED HELP? CONTACT US!

Have product questions? Need technical support? Please feel free to contact us:

**Technical Support and E-Warranty Certificate**  
[www.vevor.com/support](http://www.vevor.com/support)

This is the original instruction, please read all manual instructions carefully before operating. VEVOR reserves a clear interpretation of our user manual. The appearance of the product shall be subject to the product you received. Please forgive us that we won't inform you again if there are any technology or software updates on our product.

### Safety instruction and precautions

#### WARNING:

Read this material before using this product. Failure to do so can result in serious injury.

#### Assembly precautions:

- 1) Assemble only according to these instructions. Improper assembly can create hazards.
- 2) Wear ANSI-approved safety goggles and heavy-duty work gloves during assembly.
- 3) Keep assembly area clean and well lit.
- 4) Keep bystanders out of the area during assembly.

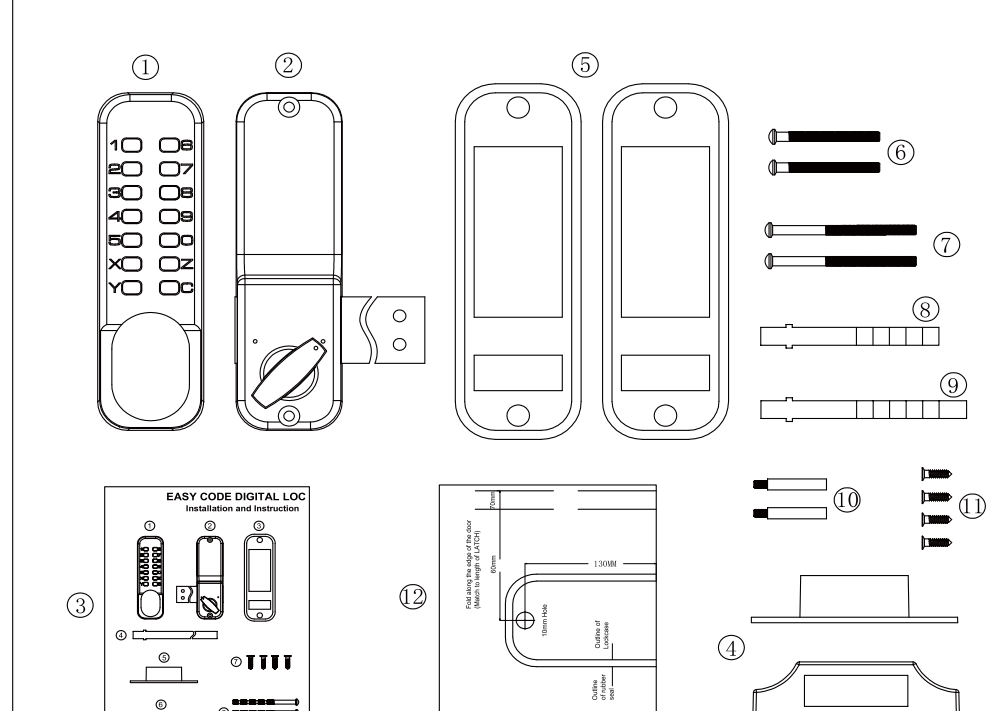
#### NOTE:

1. Recommended password length is 4-6 digits.
2. Press the C key to reset before entering your password.
3. The password does not need to be entered in sequence.
4. Changing the password requires disassembly and replacement.

#### List table

1. Front panel x 1
2. Rear panel x 1
3. Manual x 1
4. Door fastening plate x 1 set
5. Widened protection rubber mat (160x65mm) x 2 pieces
6. Mounting screws M4x40mm x 2 pcs.
7. Mounting screws M4x50mm x 2 pcs.
8. Mounting flat bar 80mm x 1pc
9. Solid stud (M5xM4x40mm) x 1pc
10. Solid stud (M5xM4x40mm) x 2 pcs.
11. Cross-slot flat head self-tapping screws (wood screws) x 4
12. Assisted installation drilling sticker x 1

### MODEL: OL601HD2-B-01/OL601HD2-B-03



#### Installation Process:

1. Check to make sure all parts are working properly.
2. Follow the instructions in "Setting a Password" to set a password. It is recommended that you set a password of 4 to 6 digits in any order.
3. According to the opening direction of the door, check whether it is necessary to change the locking direction of the front lock and the left/right direction of the lock bolt of the back lock. If you need to change, follow the instructions.
4. Using the back lock as a reference, work with the opening template to open the holes in the door.
5. Install the locks and check that the front and rear locks switch locks properly.

#### Before installation, please:

- 1) Make sure all parts are working properly
  - 2) Set or change the password "Setting/Changing Passwords"
- The passwords set are in no order and cannot be repeated. Setting a 4-digit code is the most secure.
- 3) Ensure that the door lock can be used normally after setting the code. Insert the square stem into the square hole of the lock cylinder and turn the square stem. The latch can be normally extended and retracted.

#### Setting/Changing Passwords

- 1) On the back of the lock body with numeric buttons, you will see the knob with slots, the point direction towards the center. This position is no password status. (See figure 1A)
- 2) "If you want to set a button as the password, gently push down the button with a slotted screwdriver and rotate it 180 degrees so that the dot aligns with a number. This button will then become the password. The dot should point outward towards 'G' (see figure 1B)
- 3) "To cancel a password, gently push down the button with a slotted screwdriver and rotate it 180 degrees so that the dot faces the center of the lock body (pointing towards 'F')."

#### Before installing the door, remember the password you have set.

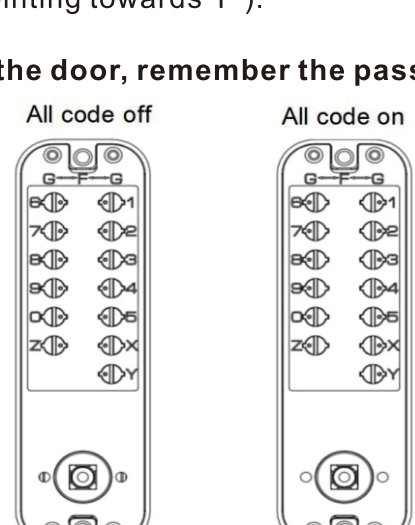


FIG 1A

FIG 1B

#### To set the password:

Insert a slotted screwdriver into the slot of the button, push it into the lock a little bit, and then turn it 180 degrees so that the dot on the button is close to the number or letter. This number or letter will be the password. There is no order for the password. The C key is used to clear or reset the password, and all other numbers and letters are used as password keys.

#### To remove the password:

Rotate the button so that the dot on the button moves away from the number or letter.

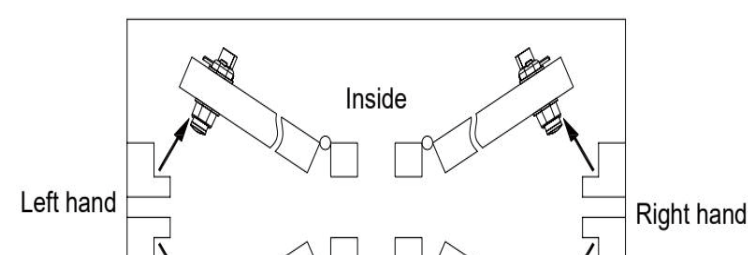


FIG 2

#### Door Opening Direction

Confirm the opening direction. To confirm the door opening direction, refer to the diagram on the right, which can help determine whether the door swings inward or outward. For doors that swing inward, use the surface-mounted latch plate for installation. For doors that swing outward, use the side-mounted strike box for installation.

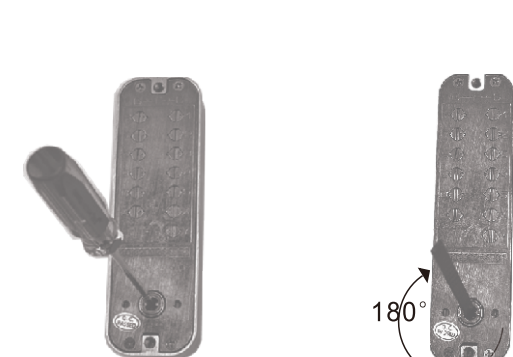


FIG 3A

FIG 3B

#### Change the unlocking direction of the lock

The default direction for the front door lock of the password lock is set to open on the right at the factory. If you want to adjust it to open on the left, you need to switch the unlocking direction of the lock. The steps are as follows:

Use a small cross-head screwdriver to completely loosen the screw in the drive shaft hole on the back of the lock—be sure not to use an electric screwdriver or a large screwdriver. Insert the drive shaft into the drive shaft hole and turn it clockwise until the drive shaft hole component is rotated 180 degrees. Then, use the screwdriver to tighten the screws inside. The direction of the lock will then be successfully changed.

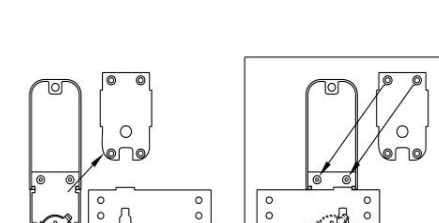


FIG 4A

FIG 4B

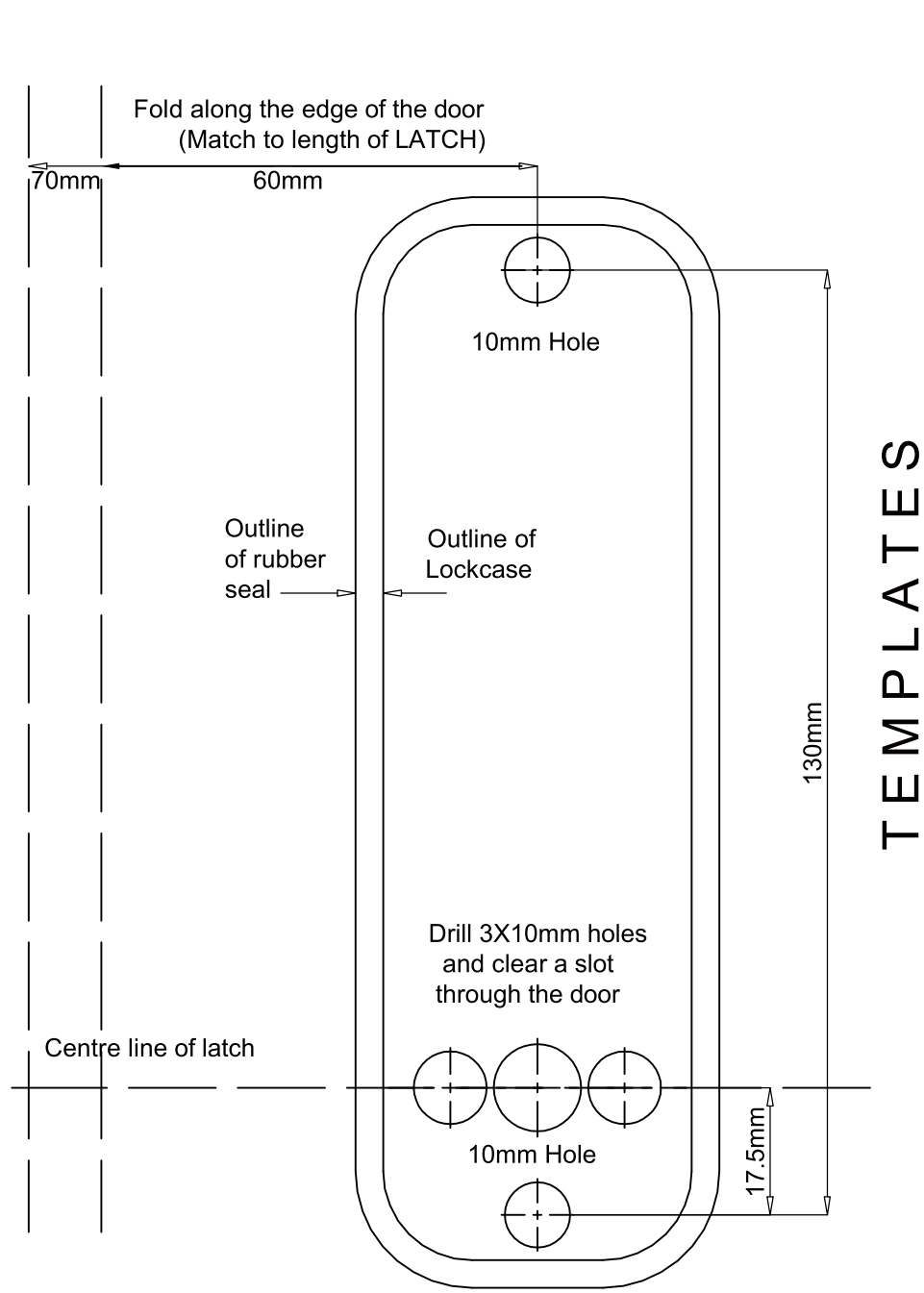
#### Change the direction of the locking bolt:

The password lock is initially set to open on the right by default. If you need to adjust it to open on the left, follow these steps:

1. Remove the 4 screws and cover plate on the back of the internal lock.
2. Disassemble the locking bolt and flip it (on the left or right with the drive slot facing downward).
3. Secure the cover plate with screws, turn the knob, and check if the locking bolt retracts and extends normally.

#### Positioning drilling

1. Press the back of the lock vertically against the door, aligning one end of the locking bolt with the edge of the door.
2. Make the corresponding markings for the lock's position.
3. Use the hole drilling template to align with the marked positions, indicating the screw holes and drive shaft hole locations.
4. Drill 10mm holes for the screw holes and 10mm hole for the drive shaft hole.
5. If there is a larger gap between the door and the frame, you can position the lock in a way that allows the end face of the locking bolt to extend beyond the side of the door, ensuring a tighter fit when the lock engages with the striker plate.



#### Installation and Debugging

1. First, screw the hollow screw into the corresponding screw hole of the front password lock, and then select the appropriate size of the drive shaft and installation screws according to the thickness of the door, and install them with the rubber gasket.
2. Do not close the door until it is confirmed that the lock can be opened normally using the password. The drive shaft is designed for doors with a thickness of 100mm or less.
3. After the lock is installed, check whether the front and rear locks can be opened and closed normally. When closing the lock, there is no need to enter the password. When opening the lock, press the "C" key to reset before entering the correct password to unlock.

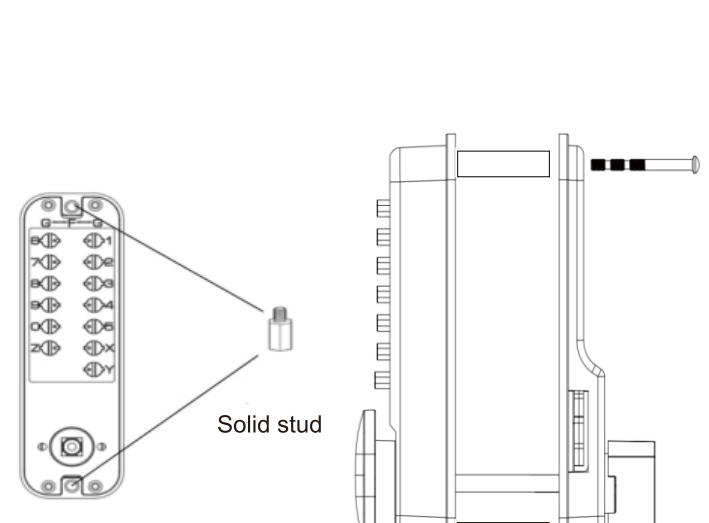


FIG 5A

FIG 5B

The thickness of the door	Solid stud	Screw	Flat bar
35mm-42mm	( M5xM4x40mm ) x 2	M4x40 x 2	Flat bar 80mm x 1
43mm-50mm			
51mm-58mm		M4x50 x 2	Flat bar 95mm x 1
59mm-65mm			

Chart 1

#### Installing the Door Latch

The bolt should be within the size range of 10mm-15mm for the latch box and latch plate. The positioning of the door latch must allow the bolt to combine with the latch when it is locked. Once the correct installation position is determined, outline it and install it flush with the door frame.

Ensure that the bolt can fully extend when locked to ensure the anti-theft function of the door lock.

Start by fixing the door latch with one screw and check if the bolt extends and retracts properly. If there are any issues, adjustments can be made. Then, tighten with two screws.



FIG 6

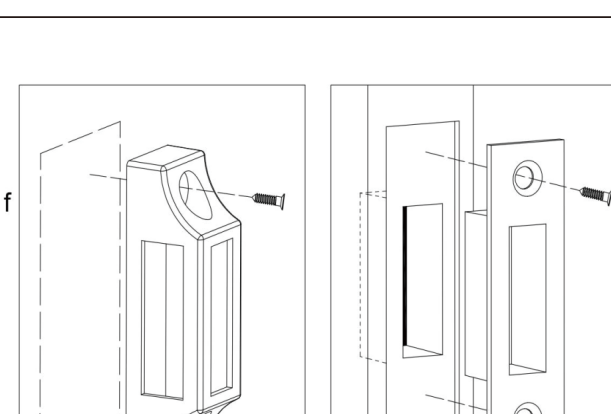


FIG 7A

FIG 7B

#### Unlock and lock

Tips: C key is clear and reset key. The default button direction to unlock the door is clockwise, if you change the lock to left-handed, the button direction to unlock the door is counterclockwise.

- 1) Press the correct password, and then turn the button to the opening door's direction to unlock the lock. When you press the password, you are unable to turn the button, check that the password settings whether are correct or not, and that you have pressed the C key before pressing the key.
- 2) And turn the button in the other direction to re-lock the door.
- 3) Only from outside, code is necessary to turn the knob for opening. From inside, the bolt go in and out freely with the internal button.

#### Setting or cancelling the always-open mode (After setting the always-open mode, the door can be opened directly by turning the handle without entering a password)

First, enter the correct password, press down the handle and hold down the Y key at the same time, release the handle first and then release the Y key, and the always-open mode is set.

Cancel always-open mode: Hold down the C key, press down on the handle, and the always-open mode will be canceled.

Manufacturer: Shanghaimuxinmuyouxiangongsi

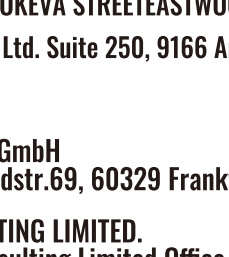
Address: Shuangchenglu 803nong11hao1602A-1609shi, baoshanqu, shanghai 200000 CN.

Imported to AUS: SIHAO PTY LTD. 1 ROKEVA STREET EAST WOOD NSW 2122 Australia

Imported to USA: Sanvon Technology Ltd. Suite 250, 9166 Anaheim Place, Rancho Cucamonga, CA 91730

**EC REP** E-CrossStu GmbH  
Mainzer Landstr. 69, 60329 Frankfurt am Main.

**UK REP** YH CONSULTING LIMITED.  
C/O YH Consulting Limited Office 147, Centurion House,  
London Road, Staines-upon-Thames, Surrey, TW18 4AX



Install and use the video